

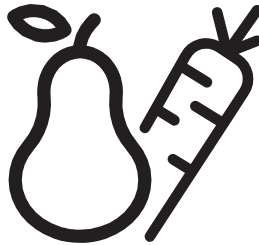
GRUNDIG

Refrigerator / User instructions

Frigorifero / Istruzioni per l'uso

Réfrigérateur / Notice d'utilisation

Kühlschrank / Bedienungsanleitung



GEK5100

Please read this manual first!

Dear Customer,

We hope that your product, which has been produced in modern plants and checked under the most meticulous quality control procedures, will provide you an effective service.

For this, we recommend you to carefully read the entire manual of your product before using it and keep it at hand for future references.


This manual

- Will help you use your appliance in a fast and safe way.
- Read the manual before installing and operating your product.
- Follow the instructions, especially those for safety.
- Keep the manual in an easily accessible place as you may need it later.
- Besides, read also the other documents provided with your product.
- Please note that this manual may be valid for other models as well.

Symbols and their descriptions

This instruction manual contains the following symbols:

 Important information or useful usage tips.

 Warning against dangerous conditions for life and property.

 Warning against electric voltage.



WARNING!

In order to ensure a normal operation of your refrigerating appliance, which uses a completely environmentally friendly refrigerant the R600a (flammable only under certain conditions) you must observe the following rules:

- Do not hinder the free circulation of the air around the appliance.
- Do not use mechanical devices in order to accelerate the defrosting, others than the ones recommended by the manufacturer.
- Do not destroy the refrigerating circuit.
- Do not use electric appliances inside the food keeping compartment, other than those that might have been recommended by the manufacturer.

INFORMATION



ENERG



SUPPLIER'S NAME

MODEL IDENTIFIER

(*)

A

A

The model information as stored in the product data base can be reached by entering following website and searching for your model identifier (*) found on energy label.

<https://eprel.ec.europa.eu/>

CONTENTS

1 Your refrigerator	3	4 Preparation	9
		Reversing the doors	10
2 Important Safety Warnings	4	5 Using your refrigerator	11
Intended use	4	Control Panel	11
General safety.....	4	VitaminCare+	12
Child safety.....	6	Defrost	12
Compliance with RoHS Directive	6	The dairy (cold storage) compartment ...	12
HCA Warning	6		
Things to be done for energy saving ..	6		
3 Installation	7	6 Maintenance and cleaning	13
Points to be considered when re-transporting your refrigerator	7	Protection of plastic surfaces	13
Before operating your refrigerator	7		
Electric connection	7	7 Recommended solutions for the problems	14
Disposing of the packaging	7		
Disposing of your old refrigerator	8		
Placing and Installation	8		
Replacing the interior light bulb	8		



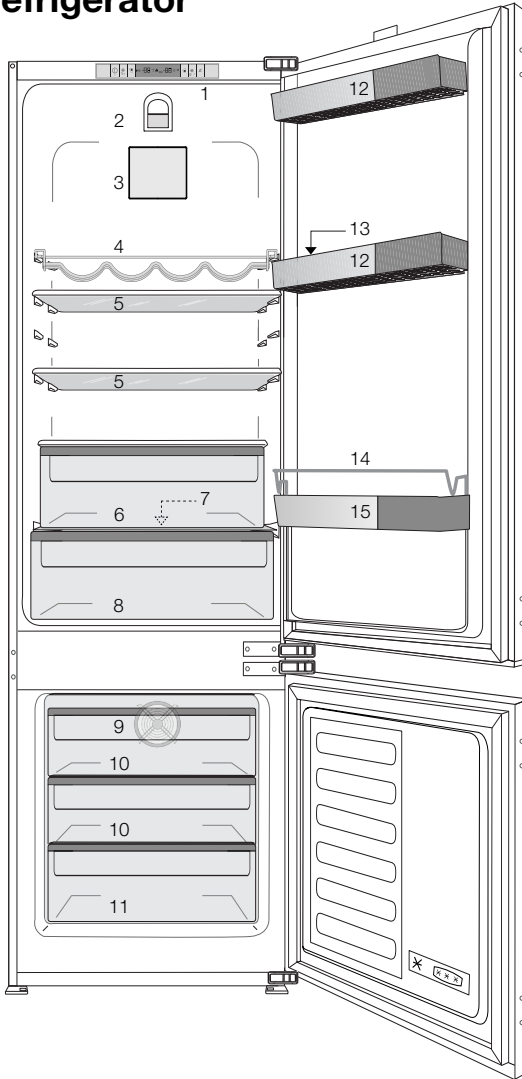
This product is equipped with a lighting source of the "G" energy class. The lighting source in this product shall only be replaced by professional repairers.

Recycling



This product is supplied with the selective sorting symbol for waste electrical and electronic equipment (WEEE). This means that this product must be handled pursuant to European Directive 2012/19/EU in order to be recycled or dismantled to minimise its impact on the environment. For further information, please contact your local or regional authorities. Electronic products not included in the selective sorting process are potentially dangerous for the environment and human health due to the presence of hazardous substances.

1. Your refrigerator



- | | |
|--|--------------------------------------|
| 1. Control panel | 8. Crisper |
| 2. Interior light | 9. Freezer fan |
| 3. Fresh food fan | 10. Compartment for quickly freezing |
| 4. Wine rack | 11. Freezer compartment drawers |
| 5. Movable shelves | 12. Adjustable door shelves |
| 6. Dairy compartment | 13. Egg compartment |
| 7. Defrost water collection channel - drain tube | 14. Shelter wire |
| | 15. Bottle shelf |

i Figures that take place in this instruction manual are schematic and may not correspond exactly with your product. If the subject parts are not included in the product you have purchased, then it is valid for other models.

2. Important Safety Warnings

Please review the following information. Failure to observe this information may cause injuries or material damage. Otherwise, all warranty and reliability commitments will become invalid.

Original Spare parts will be provided for 10 years, following the product purchasing date.

Intended use

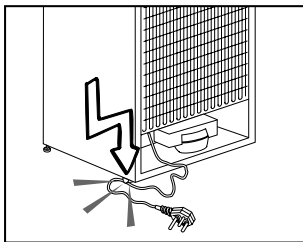
This product is intended to be used:

- indoors and in closed areas such as homes;
- in closed working environments such as stores and offices;
- in closed accommodation areas such as farm houses, hotels, pensions.
- This product should not be used outdoors.

General safety

- When you want to dispose/scrap the product, we recommend you to consult the authorized service in order to learn the required information and authorized bodies.
- Consult your authorized service for all your questions and problems related to the refrigerator. Do not intervene or let someone intervene to the refrigerator without notifying the authorised services.
- For products with a freezer compartment; Do not eat cone ice cream and ice cubes immediately after you take them out of the freezer compartment! (This may cause frostbite in your mouth.)
- For products with a freezer compartment; Do not put bottled and canned liquid beverages in the freezer compartment. Otherwise, these may burst.
- Do not touch frozen food by hand; they may stick to your hand.
- Unplug your refrigerator before cleaning or defrosting.
- Vapor and vaporized cleaning materials should never be used in cleaning and defrosting processes of your refrigerator. In such cases, the vapor may get in contact with the electrical parts and cause short circuit or electric shock.
- Never use the parts on your refrigerator such as the door as a means of support or step.
- Do not use electrical devices inside the refrigerator.
- Do not damage the parts, where the refrigerant is circulating, with drilling or cutting tools. The refrigerant that might blow out when the gas channels of the evaporator, pipe extensions or surface coatings are punctured causes skin irritations and eye injuries.
- Do not cover or block the ventilation holes on your refrigerator with any material.
- Electrical devices must be repaired by only authorised persons. Repairs performed by incompetent persons create a risk for the user.
- In case of any failure or during a maintenance or repair work, disconnect your refrigerator's mains supply by either turning off the relevant fuse or unplugging your appliance.

- Do not pull by the cable when pulling off the plug.
- Place the beverage with higher proofs tightly closed and vertically.
- Never store spray cans containing flammable and explosive substances in the refrigerator.
- Do not use mechanical devices or other means to accelerate the defrosting process, other than those recommended by the manufacturer.
- This appliance is not intended for use by persons (including children) with reduced physical, sensory or mental capabilities, or lack of experience and knowledge, unless they have been given supervision or instruction concerning use of the appliance by a person responsible for their safety. Children should be supervised to ensure that they do not play with the appliance.
- Do not operate a damaged refrigerator. Consult with the service agent if you have any concerns.
- Electrical safety of your refrigerator shall be guaranteed only if the earth system in your house complies with standards.
- Exposing the product to rain, snow, sun and wind is dangerous with respect to electrical safety.
- Contact authorized service when there is a power cable damage to avoid danger.
- Never plug the refrigerator into the wall outlet during installation. Otherwise, risk of death or serious injury may arise.
- This refrigerator is intended for only storing food items. It must not be used for any other purpose.
- Label of technical specifications is located on the left wall inside the refrigerator.
- Never connect your refrigerator to electricity-saving systems; they may damage the refrigerator.
- If there is a blue light on the refrigerator, do not look at the blue light with optical tools.
- For manually controlled refrigerators, wait for at least 5 minutes to start the refrigerator after power failure.
- This operation manual should be handed in to the new owner of the product when it is given to others.
- Avoid causing damage on power cable when transporting the refrigerator. Bending cable may cause fire. Never place heavy objects on power cable.



- Do not touch the plug with wet hands when plugging the product.
- Do not plug the refrigerator if the wall outlet is loose.
- Water should not be sprayed directly on inner or outer parts of the product for safety purposes.
- Do not spray substances containing inflammable gases such as propane gas near the refrigerator to avoid fire and explosion risk.
- Never place containers filled with water on top of the refrigerator, otherwise this may cause electric shock or fire.
- Do not overload your refrigerator with excessive amounts of food. If overloaded, the food items may fall down and hurt you and damage refrigerator when you open the door.
- Never place objects on top of the refrigerator; otherwise, these objects may fall down when you open or close the refrigerator's door.
- As they require a precise temperature, vaccines, heat-sensitive medicine and scientific materials and etc. should not be kept in the refrigerator.

- If not to be used for a long time, refrigerator should be unplugged. A possible problem in power cable may cause fire.
- The plug's tip should be regularly cleaned; otherwise, it may cause fire.
- The plug's tip should be cleaned regularly with a dry cloth; otherwise, it may cause fire.
- Refrigerator may move if adjustable legs are not properly secured on the floor. Properly securing adjustable legs on the floor can prevent the refrigerator to move.
- When carrying the refrigerator, do not hold it from door handle. Otherwise, it may be snapped.
- When you have to place your product next to another refrigerator or freezer, the distance between devices should be at least 8 cm. Otherwise, adjacent side walls may be humidified.

Child safety

- If the door has a lock, the key should be kept away from reach of children.
- Children must be supervised to prevent them from tampering with the product.

Compliance with RoHS Directive

- The product you have purchased complies with EU RoHS Directive (2011/65/EU). It does not contain harmful and prohibited materials specified in the Directive.

HCA Warning If your product's cooling system contains R600a:

This gas is flammable. Therefore, pay attention to not damaging the cooling system and piping during usage and transportation. In the event of damage, keep your product away from potential fire sources that can cause the product catch a fire and ventilate the room in which the unit is placed.


Ignore this warning if your product's cooling system contains R134a.

Type of gas used in the product is stated in the type plate which is on the left wall inside the refrigerator. Never throw the product in fire for disposal.

Things to be done for energy saving

- Do not leave the doors of your refrigerator open for a long time.
- Do not put hot food or drinks in your refrigerator.
- Do not overload your refrigerator so that the air circulation inside of it is not prevented.
- Do not install your refrigerator under direct sunlight or near heat emitting appliances such as ovens, dishwashers or radiators.
- Pay attention to keep your food in closed containers.
- For products with a freezer compartment; You can store maximum amount of food items in the freezer when you remove the shelf or drawer of the freezer. Energy consumption value stated for your refrigerator has been determined by removing freezer shelf or drawer and under maximum load. There is no harm to use a shelf or drawer according to the shapes and size of food to be frozen.
- Thawing frozen food in fridge compartment will both provide energy saving and preserve the food quality.

3. Installation

-  Please remember that the manufacturer shall not be held liable if the information given in the instruction manual is not observed.

Points to be considered when re-transporting your refrigerator

1. Your refrigerator must be emptied and cleaned prior to any transportation.
2. Shelves, accessories, crisper and etc. in your refrigerator must be fastened securely by adhesive tape against any jolt before repackaging.
3. Packaging must be tied with thick tapes and strong ropes and the rules of transportation printed on the package must be followed.

Please do not forget...

Every recycled material is an indispensable source for the nature and for our national resources. If you wish to contribute to recycling the packaging materials, you can get further information from the environmental bodies or local authorities.

Before operating your refrigerator

Before starting to use your refrigerator check the following:

1. Is the interior of the refrigerator dry and can the air circulate freely in the rear of it?
2. Clean the interior of the refrigerator as recommended in the “**Maintenance and cleaning**” section.
3. Plug the refrigerator into the wall outlet. When the fridge door is open, the fridge compartment interior light will come on.


4. You will hear a noise as the compressor starts up. The liquid and gases sealed within the refrigeration system may also give rise to noise, even if the compressor is not running and this is quite normal.
5. Front edges of the refrigerator may feel warm. This is normal. These areas are designed to be warm to avoid condensation


Electric connection

Connect your product to a grounded socket which is being protected by a fuse with the appropriate capacity.

Important:

- The connection must be in compliance with national regulations.
- The power cable plug must be easily accessible after installation.
- The specified voltage must be equal to your mains voltage.
- **Extension cables and multiway plugs must not be used for connection.**

-  A damaged power cable must be replaced by a qualified electrician.

-  Product must not be operated before it is repaired! There is danger of electric shock!

Disposing of the packaging

The packing materials may be dangerous for children. Keep the packing materials out of the reach of children or dispose of them by classifying them in accordance with the waste instructions. Do not dispose of them along with the normal household waste.

The packing of your refrigerator is produced from recyclable materials.

Disposing of your old refrigerator

Dispose of your old refrigerator without giving any harm to the environment.

- You may consult your authorised dealer or waste collection center of your municipality about the disposal of your refrigerator.

Before disposing of your refrigerator, cut out the electric plug and, if there are any locks on the door, make them inoperable in order to protect children against any danger.

Placing and Installation

⚠ If the entrance door of the room where the refrigerator will be installed is not wide enough for the refrigerator to pass through, then call the authorised service to have them remove the doors of your refrigerator and pass it sideways through the door.

1. Install your refrigerator to a place that allows ease of use.
2. Keep your refrigerator away from heat sources, humid places and direct sunlight.
3. There must be appropriate air ventilation around your refrigerator in order to achieve an efficient operation. If the refrigerator is to be placed in a recess in the wall, there must be at least 5 cm distance with the ceiling and at least 5 cm with the wall. If the floor is covered with a carpet, your product must be elevated 2,5 cm from the floor.
4. Place your refrigerator on an even floor surface to prevent jolts.
5. Do not keep your refrigerator in ambient temperatures under 10°C.

Replacing the interior light bulb

To change the Bulb/LED used for illumination of your refrigerator, call your Authorised Service.

The lamp(s) used in this appliance is not suitable for household room illumination. The intended purpose of this lamp is to assist the user to place foodstuffs in the refrigerator/freezer in a safe and comfortable way.

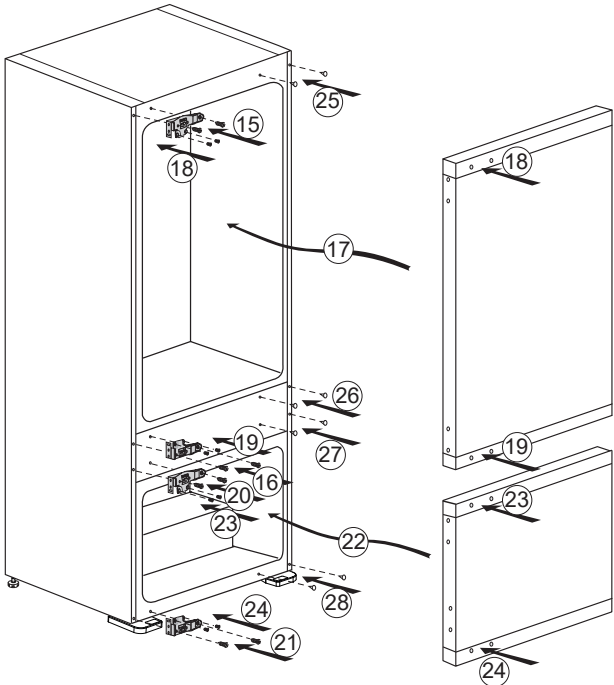
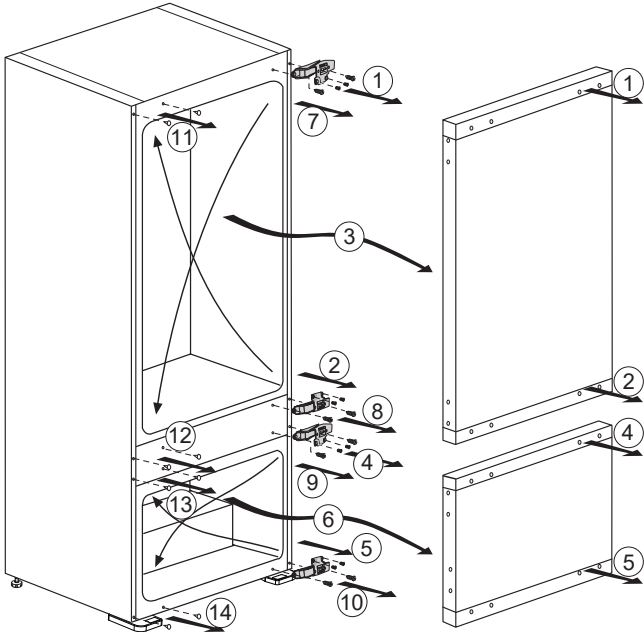
The lamps used in this appliance have to withstand extreme physical conditions such as temperatures below -20°C.

4. Preparation

- i** Your refrigerator should be installed at least 30 cm away from heat sources such as hobs, ovens, central heater and stoves and at least 5 cm away from electrical ovens and should not be located under direct sunlight.
- i** The ambient temperature of the room where you install your refrigerator should at least be 10°C. Operating your refrigerator under cooler conditions than this is not recommended with regard to its efficiency.
- i** Please make sure that the interior of your refrigerator is cleaned thoroughly.
- i** If two refrigerators are to be installed side by side, there should be at least 2 cm distance between them.
- i** When you operate your refrigerator for the first time, please observe the following instructions during the initial six hours.
 - The door should not be opened frequently.
 - It must be operated empty without any food in it.
 - Do not unplug your refrigerator. If a power failure occurs out of your control, please see the warnings in the “**Recommended solutions for the problems**” section.
- i** Original packaging and foam materials should be kept for future transportations or moving.

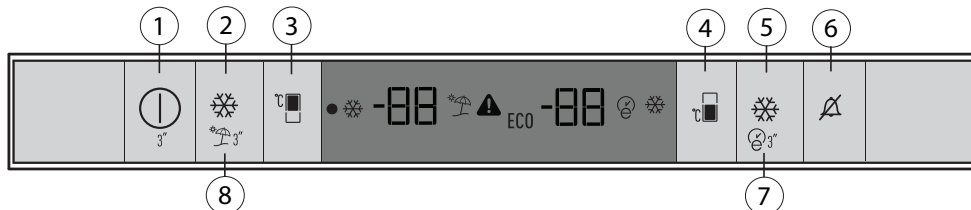
Reversing the doors

Proceed in numerical order.



5. Using your refrigerator

Control Panel



1. On / Off Indicator

Press the On / Off button for 3 seconds to turn off or turn on the fridge. When the fridge is off, the symbol (●) is lit. All the other symbols are turned off.

2. Quick fridge function button

The button (❄️) has two functions. To activate or deactivate the Quick Cool function, press it briefly. Quick Cool indicator will turn off and the product return to its normal settings.

Use the Quick Cooling function when you want to quickly cool the food placed in the fridge compartment. If you want to cool large amounts of fresh food, activate this function before putting the food into the product.

If you do not cancel it, Quick Cooling will cancel itself automatically after 1 hour at the most, or when the fridge compartment reaches the required temperature. This function is not recalled when power restores after a power failure.

3. Fridge compartment temperature setting button

Press this button (🌡️) to set the temperature of the fridge compartment to 8, 7, 6, 5, 4, 3, 2, 8... respectively. Press this button to set the fridge compartment temperature to the desired value.

4. Freezer compartment temperature setting button

Press this button (🌡️) to set the temperature of the freezer compartment to -18, -19, -20, -21, -22, -23, -24, -18... respectively. Press this button to set the freezer compartment temperature to the desired value.

5. Quick freeze function button

Press this button (❄️) to activate or deactivate the Quick freeze function. When you activate the function, the freezer compartment will be cooled to a temperature lower than the set value.

Use the Quick Freeze function when you want to quickly freeze the food placed in freezer compartment. If you want to freeze large amounts of fresh food, activate this function before putting the food into the product.

If you do not cancel it, Quick Freeze will cancel itself automatically after 25 hours at the most or when the freezer compartment reaches the required temperature. This function is not recalled when power restores after a power failure.

6. Alarm off warning

In case of power failure / high temperature alarm, after checking the food located in the freezer compartment press the alarm off button (🔔) to clear the warning.

7. Eco fuzzy

Press and hold the eco fuzzy button (❄️) for 3 seconds to activate the Eco fuzzy function. The refrigerator will start to operate in the most economic mode at least 6 hours later and the economic usage indicator will be on (🌱). Press and hold the eco fuzzy function button for 3 seconds to disable the eco fuzzy function. This indicator will be on after 6 hours when eco fuzzy is activated, provided the doors are not opened. ECO indicator will be active if the freezer compartment temperature is set to -18°C.

8. Vacation Function

In order to activate Vacation function, press this button (☂️) for 3 seconds, and the vacation mode indicator (☂️) will be activated. When the vacation function is activated, "--" is displayed on the fridge compartment temperature indicator and no active cooling is performed in the fridge compartment. It is not suitable to keep the food in the fridge compartment in this function. Other compartments will continue to be cooled according to their set temperatures. To cancel this function press Vacation function button again.

VitaminCare+

Fruits and vegetables stored in crispers illuminated with the *VitaminCare+* technology preserve their vitamin A and C content for a longer time thanks to the blue, green, red lights and dark cycles, which simulate a day cycle. *With this technology, you can keep your fruits & vegetables tasty & healthy longer which helps you to minimize food waste at home.*

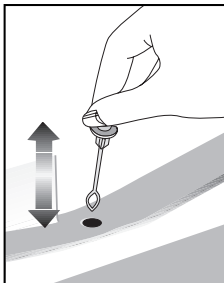
If you open the door of the refrigerator during the dark period of the *VitaminCare+* technology, the refrigerator will automatically detect this and enable the blue, green or red light to illuminate the crisper for your convenience. After you have closed the door of the refrigerator, the dark period will continue, representing the night time in a day cycle.

Defrost

A) Fridge compartment

Fridge compartment performs full-automatic defrosting. Water drops and a frosting up to 7-8 mm can occur on the inner rear wall of the fridge compartment while your refrigerator cools down. Such formation is normal as a result of the cooling system. The frost formation is defrosted by performing automatic defrosting with certain intervals thanks to the automatic defrosting system of the rear wall. User is not required to scrape the frost or remove the water drops. Water resulting from the defrosting passes from the water collection groove and flows into the evaporator through the drain pipe and evaporates here by itself.

Check regularly to see if the drain pipe is clogged or not and clear it with the stick in the hole when necessary.

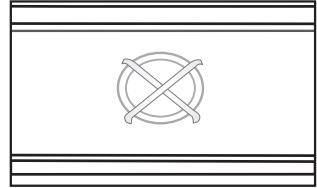


B) Freezer compartment

The freezer compartment defrosts automatically.

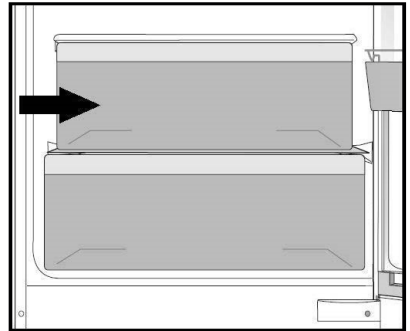
Warnings!

The fan inside the freezer compartment circulates cold air. Never insert any object through the guard. Do not allow children to play with the freezer fan. Never store products that contain inflammable propellant gas (e.g. dispensers, spray cans etc.) or explosive substances. Don't cover the shelves with any protective materials, which may obstruct air circulation. Do not allow children to play with appliance or tamper with the controls. Do not obstruct the freezer fan guard to ensure that you obtain the best possible performance from your appliance.



The dairy (cold storage) bin

The dairy (cold storage) bin provides lower temperature within the refrigerator compartment. Use this bin to store delicatessen (salami, sausages, dairy products and etc.) that requires lower storage temperature or meat, chicken or fish products for immediate consumption. Do not store fruits and vegetables inside this bin.



6. Maintenance and cleaning

- ⚠ Never use gasoline, benzene or similar substances for cleaning purposes.
- ⚠ We recommend that you unplug the appliance before cleaning.
- ⚠ Never use any sharp abrasive instrument, soap, household cleaner, detergent and wax polish for cleaning.
- ℹ Use lukewarm water to clean the cabinet of your refrigerator and wipe it dry.
- ℹ Use a damp cloth wrung out in a solution of one teaspoon of bicarbonate of soda to one pint of water to clean the interior and wipe it dry.
- ⚠ Make sure that no water enters the lamp housing and other electrical items.
- ⚠ If your refrigerator is not going to be used for a long period of time, unplug the power cable, remove all food, clean it and leave the door ajar.
- ℹ Check door seals regularly to ensure they are clean and free from food particles.
- ⚠ To remove door racks, remove all the contents and then simply push the door rack upwards from the base.

Protection of plastic surfaces

- ℹ Do not put the liquid oils or oil-cooked meals in your refrigerator in unsealed containers as they damage the plastic surfaces of your refrigerator. In case of spilling or smearing oil on the plastic surfaces, clean and rinse the relevant part of the surface at once with warm water.

EN

IT

FR

DE

7. Recommended solutions for the problems

Please review this list before calling the service. It might save you time and money. This list includes frequent complaints that are not arising from defective workmanship or material usage. Some of the features described here may not exist in your product.

The refrigerator does not operate.

- Is the refrigerator properly plugged in? Insert the plug to the wall socket.
- Is the fuse of the socket which your refrigerator is connected to or the main fuse blown out? Check the fuse.

Condensation on the side wall of the fridge compartment (MULTIZONE, COOL CONTROL and FLEXI ZONE).

- Very cold ambient conditions. Frequent opening and closing of the door. Highly humid ambient conditions. Storage of food containing liquid in open containers. Leaving the door ajar. Switching the thermostat to a colder degree.
- Decreasing the time the door left open or using it less frequently.
- Covering the food stored in open containers with a suitable material.
- Wipe the condensation using a dry cloth and check if it persists.

Compressor is not running.

- Protective thermic of the compressor will blow out during sudden power failures or plug-out plug-ins as the refrigerant pressure in the cooling system of the refrigerator has not been balanced yet. Your refrigerator will start running approximately after 6 minutes. Please call the service if the refrigerator does not startup at the end of this period.
- The fridge is in defrost cycle. This is normal for a full-automatically defrosting refrigerator. Defrosting cycle occurs periodically.
- Your refrigerator is not plugged into the socket. Make sure that the plug is properly fit into the socket.
- Are the temperature adjustments correctly made?
- Power might be cut off.

The fridge is running frequently or for a long time.

- Your new product may be wider than the previous one. This is quite normal. Large refrigerators operate for a longer period of time.
- The ambient room temperature may be high. This is quite normal.
- The refrigerator might have been plugged in recently or might have been loaded with food. Cooling down of the refrigerator completely may last for a couple of hours longer.
- Large amounts of hot food might have been put in the refrigerator recently. Hot food causes longer running of the refrigerator until they reach the safe storage temperature.
- Doors might have been opened frequently or left ajar for a long time. The warm air that has entered into the refrigerator causes the refrigerator to run for longer periods. Open the doors less frequently.
- Freezer or fridge compartment door might have been left ajar. Check if the doors are tightly closed.
- The refrigerator is adjusted to a very low temperature. Adjust the refrigerator temperature to a warmer degree and wait until the temperature is achieved.
- Door seal of the fridge or freezer may be soiled, worn out, broken or not properly seated. Clean or replace the seal. Damaged/broken seal causes the refrigerator to run for a longer period of time in order to maintain the current temperature.

Freezer temperature is very low while the fridge temperature is sufficient.

- The freezer temperature is adjusted to a very low temperature. Adjust the freezer temperature to a warmer degree and check.

Fridge temperature is very low while the freezer temperature is sufficient.

- The fridge temperature might have been adjusted to a very low temperature. Adjust the fridge temperature to a warmer degree and check.

Food kept in the fridge compartment drawers are freezing.

- The fridge temperature might have been adjusted to a very low temperature. Adjust the fridge temperature to a warmer degree and check.

Temperature in the fridge or freezer is very high.

- The fridge temperature might have been adjusted to a very high degree. Fridge adjustment has an effect on the temperature of the freezer. Change the temperature of the fridge or freezer until the fridge or freezer temperature reaches to a sufficient level.
- Doors might have been opened frequently or left ajar for a long time; open them less frequently.
- Door might have been left ajar; close the door completely.
- Large amount of hot food might have been put in the refrigerator recently. Wait until the fridge or freezer reaches the desired temperature.
- The refrigerator might have been plugged in recently. Cooling down of the refrigerator completely takes time.

The operation noise increases when the refrigerator is running.

- The operating performance of the refrigerator may change due to the changes in the ambient temperature. It is normal and not a fault.

Vibrations or noise.

- The floor is not even or it is weak. The refrigerator rocks when moved slowly. Make sure that the floor is strong enough to carry the refrigerator, and level.
- The noise may be caused by the items put onto the refrigerator. Items on top of the refrigerator should be removed.

There are noises coming from the refrigerator like liquid spilling or spraying.

- Liquid and gas flows happen in accordance with the operating principles of your refrigerator. It is normal and not a fault.

There is a noise like wind blowing.

- Fans are used in order to cool the refrigerator. It is normal and not a fault.

Condensation on the inner walls of refrigerator.

- Hot and humid weather increases icing and condensation. It is normal and not a fault.
- Doors might have been left ajar; make sure that the doors are closed fully.
- Doors might have been opened frequently or left ajar for a long time; open them less frequently.

Humidity occurs on the outside of the refrigerator or between the doors.

- There might be humidity in the air; this is quite normal in humid weather. When the humidity is less, condensation will disappear.

Bad odour inside the refrigerator.

- Inside of the refrigerator must be cleaned. Clean the inside of the refrigerator with a sponge, lukewarm water or carbonated water.
- Some containers or package materials might cause the smell. Use a different container or different brand packaging material.

The door is not closing.

- Food packages may prevent the door's closing. Replace the packages that are obstructing the door.
- The refrigerator is not completely upright on the floor and rocking when slightly moved. Adjust the elevation screws.
- The floor is not level or strong. Make sure that the floor is level and capable to carry the refrigerator.

Crispers are stuck.

- The food might be touching the ceiling of the drawer. Rearrange food in the drawer.

Leggere innanzitutto il manuale di istruzioni!

Gentile Cliente,

ci auguriamo che l'articolo da Lei scelto, prodotto in moderni stabilimenti e sottoposto ai più severi controlli di qualità, risponda interamente alle Sue esigenze.




A tal fine, La invitiamo a leggere attentamente il manuale di istruzioni del prodotto prima di procedere al suo utilizzo e di conservarlo per eventuali consultazioni future.

Il presente manuale

- Aiuterà l'utente ad utilizzare l'apparecchio in modo rapido e sicuro.
- Leggere le istruzioni per l'uso prima di installare e utilizzare il prodotto.
- Seguire attentamente le istruzioni, in particolare quelle inerenti alla sicurezza.
- Conservare il presente manuale in un luogo facilmente accessibile per eventuali future consultazioni.
- Leggere inoltre gli altri documenti forniti assieme al prodotto.
- Il presente manuale può essere valido anche per altri modelli.

Simboli e loro descrizione

Il manuale di istruzioni contiene i seguenti simboli:

-  Informazioni importanti o consigli utili di utilizzo.
-  Segnale di avvertimento in caso di situazioni pericolose per la persona o i beni.
-  Avvertimento in caso di problemi con il voltaggio.

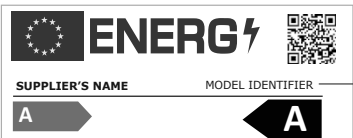


AVVERTENZA!

Per garantire il funzionamento adeguato dell'elettrodomestico, che utilizza il refrigerante R600a completamente adatto all'ambiente (infiammabile solo in determinate condizioni), è necessario attenersi alle seguenti regole:

- Non ostacolare la libera circolazione dell'aria attorno all'elettrodomestico.
- Per accelerare lo sbrinamento non utilizzare dispositivi meccanici diversi da quelli consigliati dal produttore.
- Non danneggiare il circuito refrigerante.
- Non utilizzare all'interno del comparto del cibo elettrodomestici diversi da quelli consigliati dal produttore.

INFORMAZIONI

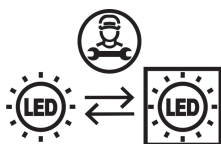


Le informazioni sul modello memorizzate nella banca dati dei prodotti possono essere consultate sul seguente sito web, cercando l'identificativo del modello (*) presente sull'etichetta energetica.

<https://eprel.ec.europa.eu/>

INDICE

1 Il frigorifero	3	4 Preparazione	9
		Inversione degli sportelli.....	10
2 Importanti avvertenze per la sicurezza	4	5 Utilizzo del frigorifero	11
Usò previsto	4	Pannello di controllo	11
Sicurezza generale	4	VitaminCare+	12
Sicurezza bambini	6	Sbrinamento	12
Conformità alla Direttiva RoHS	6	Scomparto prodotti caseari (cella frigorifera)	12
Avvertenza HCA	6		
Cose da fare per risparmiare energia...6			
3 Installazione	7	6 Manutenzione e pulizia	13
Punti da tenere in considerazione quando si trasporta nuovamente il frigorifero	7	Protezione delle superfici di plastica....	13
Prima di utilizzare il frigorifero	7		
Collegamento elettrico	7	7 Soluzioni consigliate per i problemi	14
Smaltimento del materiale di imballaggio	8		
Smaltimento del vecchio frigorifero	8		
Posizionamento e installazione	8		
Sostituzione della lampadina interna...8			



Questo prodotto è dotato di una sorgente di illuminazione con classe energetica "G". La sorgente di illuminazione nel prodotto dovrà essere sostituita solo da professionisti nel campo della riparazione.

Riciclaggio

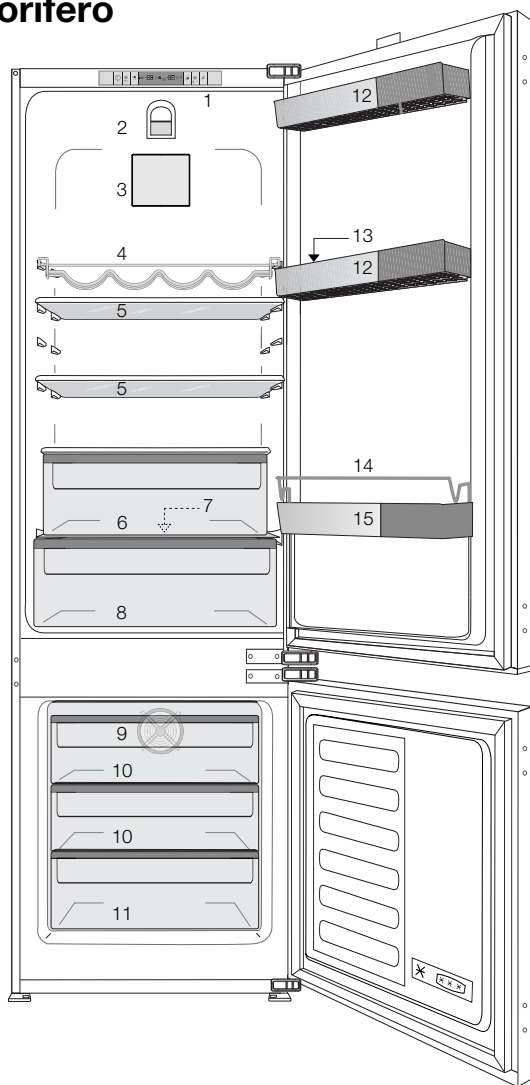


Questo prodotto riporta il simbolo di raccolta differenziata per le apparecchiature elettriche ed elettroniche di rifiuto (WEEE).

Ciò significa che il prodotto deve essere gestito in conformità alla direttiva europea 2012/19/EU in modo che durante il riciclaggio e lo smontaggio sia ridotto al minimo l'impatto sull'ambiente. Per ulteriori informazioni contattare le autorità locali o regionali.

I prodotti elettronici non inclusi nel processo di raccolta differenziata sono potenzialmente pericolosi per l'ambiente e la salute umana a causa della presenza di sostanze pericolose.

1. Il frigorifero



- | | |
|---|--|
| 1. Pannello di controllo | 9. Ventola congelatore |
| 2. Luce interna | 10. Scomparto per il congelamento rapido |
| 3. Ventola alimenti freschi | 11. Scomparti per la conservazione di cibi congelati |
| 4. Supporto per bottiglie di vino | 12. Mensole dello sportello regolabili |
| 5. Mensole amovibili | 13. Scomparto uova |
| 6. Scomparto prodotti caseari | 14. Griglia |
| 7. Canale di raccolta dell'acqua di sbrinatorio – tubo di drenaggio | 15. Ripiano bottiglie |
| 8. Scomparto frutta e verdura | |

i Le illustrazioni contenute in questa guida sono schematiche e potrebbero non corrispondere esattamente al prodotto in uso. Se le parti in oggetto non sono incluse nel prodotto acquistato, significa che sono da intendersi per altri modelli.

EN

IT

FR

DE

2. Importanti avvertenze per la sicurezza

Prendere in esame le seguenti informazioni. Se queste informazioni non vengono rispettate, possono verificarsi lesioni personali o danni materiali. Quindi tutte le garanzie e gli impegni sull'affidabilità diventerebbero privi di validità.

I pezzi di ricambio originali verranno forniti per 10 anni, successivamente alla data di acquisto del prodotto.

Uso previsto

- Questo apparecchio è destinato ad un uso domestico e applicazioni simili come:
 - aree destinate a cucina in negozi, uffici e altri ambienti di lavoro;
 - fattorie e da clienti in alberghi, motel e altri ambienti di tipo residenziale;
 - ambienti tipo bed and breakfast;
 - catering e simili applicazioni non commerciali.
- Non deve essere usato all'esterno. L'uso esterno non è appropriato anche se coperto da un tetto.

Sicurezza generale

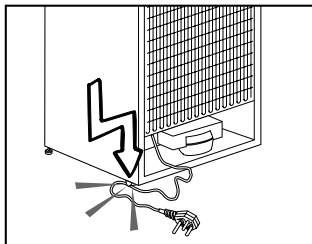
- Quando si vuole smaltire/eliminare l'apparecchio, è consigliabile consultare il servizio autorizzato per apprendere le informazioni necessarie e conoscere gli enti autorizzati.
- Consultare il servizio di manutenzione autorizzato per tutti i problemi relativi al frigorifero. Non intervenire o far intervenire sul frigorifero senza informare il servizio manutenzione autorizzato.
- Non mangiare con gelati ghiacciati o cubetti di ghiaccio o gelati appena presi dal freezer! (possono provocare bruciature da freddo alla bocca). (Ciò potrebbe causare sintomi di congelamento in bocca).
- Non mettere bottiglie e lattine di bibite liquide nello scomparto del freezer, altrimenti potrebbero esplodere.

- Non toccare con le mani gli alimenti gelati; possono incollarsi ad esse.
- Il vapore e i materiali per la pulizia vaporizzati non devono mai essere usati per pulire e scongelare il frigorifero. In questo caso il vapore può entrare in contatto con le parti elettriche e provocare corto circuito o scossa elettrica.
- Non usare mai parti del frigorifero come lo sportello come mezzo di supporto o movimento.
- Non utilizzare dispositivi elettrici all'interno del frigorifero.
- Non danneggiare il circuito di raffreddamento, in cui circola il refrigerante, con utensili perforanti o taglienti. Il refrigerante può scoppiare quando i canali del gas dell'evaporatore, le estensioni dei tubi o le pellicole superficiali vengono punti e possono provocare irritazioni alla pelle e lesioni agli occhi.
- Non bloccare o coprire la ventilazione dell'elettrodomestico.
- Le riparazioni agli apparecchi elettrici devono essere eseguite solo da personale qualificato. Le riparazioni eseguite da personale non competente possono provocare danni all'utilizzatore.
- In caso di guasto o durante lavori di riparazione e manutenzione, scollegare la fornitura d'energia principale spegnendo il fusibile principale o scollegando la presa dell'apparecchio.
- Non tirare dal cavo quando si estrae la spina.
- Posizionare le bibite più alte molto vicine e in verticale.
- Non conservare sostanze esplosive come aerosol con gas propellenti infiammabili nell'apparecchio.
- Non utilizzare apparecchiature meccaniche o altri mezzi diversi da quelli consigliati dal produttore, per accelerare il processo di sbrinamento.

- Questo apparecchio non deve essere usato da persone (compresi bambini) con capacità fisiche, sensoriali o mentali ridotte, o mancanza di esperienza e conoscenza, a meno che non ricevano la supervisione o le istruzioni per l'uso dell'apparecchio da parte di una persona responsabile della loro sicurezza.

- Non utilizzare frigoriferi danneggiati. Consultare il servizio assistenza in caso di dubbi.
- La sicurezza elettrica del frigorifero è garantita unicamente se il sistema di messa a terra dell'apparecchiatura è conforme agli standard.
- L'esposizione del prodotto a pioggia, neve, sole e vento è pericolosa per la sicurezza elettrica.
- Contattare l'assistenza autorizzata quando ci sono danni ai cavi ecc., in modo che non creino pericoli per l'utente.
- Non collegare mai il frigorifero alla presa a muro durante l'installazione, per evitare il rischio di morte o lesioni gravi.
- Questo frigorifero è destinato solo alla conservazione di alimenti. Non deve essere usato per altri fini.
- L'etichetta che descrive le specifiche tecniche del prodotto si trova a sinistra nella parte interna del frigorifero.
- Non collegare il frigorifero a sistemi di risparmio energetico poiché possono danneggiare l'apparecchio.
- Se il frigorifero presenta una luce blu, non guardarla usando dispositivi ottici.
- Se l'alimentazione è scollegata negli apparecchi controllati manualmente, attendere almeno 5 minuti prima di ricollegarla.
- Questo manuale deve essere trasferito al successivo proprietario del frigorifero, in caso di passaggio di proprietà.

- Quando si sposta l'apparecchio, assicurarsi di non danneggiare il cavo di alimentazione. Per evitare che il cavo di alimentazione si incendi, evitare di torcerlo. Non mettere oggetti pesanti sul cavo di alimentazione.



- Quando il frigorifero viene collegato alla rete, non toccare la presa di alimentazione con le mani bagnate.
- Non collegare il frigorifero alla rete se la presa elettrica è allentata.
- Non far schizzare l'acqua direttamente sulle parti esterne o interne del frigorifero per ragioni di sicurezza.
- Non spruzzare materiali infiammabili come gas propano, ecc. nelle vicinanze del frigorifero, a causa del rischio di incendio ed esplosioni.
- Non mettere oggetti pieni di acqua sopra al frigorifero poiché potrebbero provocare uno shock elettrico o un incendio.
- Non sovraccaricare il frigorifero con troppi alimenti. Gli alimenti in eccesso possono cadere quando viene aperto lo sportello, causando lesioni alla persona o danneggiando il frigorifero. Non mettere oggetti sopra al frigorifero poiché potrebbero cadere quando si apre o si chiude lo sportello dell'apparecchio.
- Materiali che richiedono determinate condizioni di temperatura come vaccini, farmaci termosensibili, materiali scientifici, ecc. non devono essere tenuti in frigorifero.

- Se il frigorifero non viene usato per molto tempo, deve essere scollegato dalla rete. Un problema nell'isolamento del cavo elettrico potrebbe provocare un incendio.
- La punta della spina elettrica deve essere regolarmente pulita altrimenti potrebbe provocare un incendio.
- La punta della spina deve essere pulita regolarmente con un panno asciutto; altrimenti può provocare un incendio.
- Il frigorifero potrebbe spostarsi quando i piedini regolabili non sono posizionati in modo fermo a terra. Usando i piedini regolabili si assicura che il frigorifero sia posizionato in modo stabile sul pavimento.
- Se il frigorifero ha una maniglia sullo sportello, non tirare l'apparecchio dalla maniglia quando lo si sposta, altrimenti la maniglia potrebbe staccarsi.
- Se è necessario utilizzare l'apparecchio vicino ad un altro frigorifero o un altro freezer, la distanza tra gli apparecchi deve essere almeno 8 cm. Altrimenti si può creare condensa sulle pareti laterali che sono l'una di fronte all'altra.

Sicurezza bambini

- Se la porta ha un lucchetto, la chiave deve essere tenuta lontana dalla portata dei bambini.
- I bambini devono ricevere la supervisione necessaria ad assicurare che non giochino con l'apparecchio.

Conformità alla Direttiva

RoHS:

- L'apparecchio acquistato è conforme alla Direttiva UE RoHS (2011/65/EU). Non contiene materiali pericolosi o proibiti specificati nella Direttiva.

Avvertenza HCA

Se il prodotto è dotato di un sistema di raffreddamento che contiene R600a:

Questo gas è infiammabile. Pertanto, fare attenzione a non danneggiare il sistema di raffreddamento e le tubazioni durante l'uso e il trasporto. In caso di danni, tenere il prodotto lontano da potenziali fonti di incendio che possono provocarne l'incendio e ventilare la stanza in cui si trova l'unità.

Ignorare l'avvertenza se il prodotto è dotato di un sistema di raffreddamento che contiene R134a.

Si può vedere il gas usato nella produzione del dispositivo sull'etichetta informativa che si trova nella parte interna sinistra dello stesso. Non gettare mai il prodotto nel fuoco.

Cose da fare per risparmiare energia

- Non lasciare lo sportello del frigorifero aperto per lungo tempo.
- Non inserire cibo caldo o bevande calde nell'elettrodomestico.
- Non sovraccaricare il frigorifero impedendo la circolazione dell'aria al suo interno.
- Non installare il frigorifero sotto la luce diretta del sole o nelle vicinanze di forni, lavastoviglie o radiatori.
- Porre attenzione nel conservare il cibo in contenitori chiusi.
- La quantità massima di alimenti può essere posta nello scomparto freezer del frigorifero quando il ripiano o il cassetto dello scomparto freezer sono rimossi. Il valore di consumo energetico dichiarato per il frigorifero è stato stabilito con il ripiano o il cassetto dello scomparto freezer rimossi e con la quantità massima di alimenti caricata. Non c'è rischio nell'usare un ripiano o un cassetto secondo le forme e le dimensioni degli alimenti da congelare.
- Scongelare alimenti congelati nello scomparto frigo garantisce risparmio energetico e conserva la qualità degli alimenti.

3. Installazione

⚠ Ricordarsi che il fabbricante non è responsabile della mancata osservanza delle informazioni fornite nel manuale di istruzioni.

Punti da tenere in considerazione quando si trasporta nuovamente il frigorifero

1. Deve essere svuotato prima di ogni trasporto.
2. Scaffali, accessori, cestelli ecc. devono essere fissati nel frigorifero in modo sicuro per mezzo di nastro adesivo prima di essere di nuovo imballati.
3. L'imballaggio deve essere eseguito con nastro spesso e forte e le norme di trasporto devono essere scrupolosamente seguite.

Cose da non dimenticare...

Tutti i materiali riciclati sono una fonte indispensabile per la natura e per le nostre risorse naturali.

Se si vuole contribuire al riciclaggio di materiali da imballo, è necessario rivolgersi per ulteriori informazioni alle autorità locali per l'ambiente.

Prima di utilizzare il frigorifero

Prima di avviare l'uso del frigorifero, controllare quanto segue:

1. L'interno del frigorifero è asciutto e l'aria può circolare liberamente sul retro?
2. Pulire la parte interna del frigorifero come consigliato nella sezione "Manutenzione e pulizia".

3. Collegare il frigorifero alla presa elettrica. Quando lo sportello del frigorifero viene aperto si accenderà la luce interna allo scomparto frigo.
4. Si udrà un rumore quando il compressore si avvia. I liquidi e i gas sigillati nel sistema refrigerante possono produrre dei rumori, anche se il compressore non è in funzione; questo è abbastanza normale.
5. I bordi anteriori del frigorifero possono essere tiepidi. Questo è normale. Queste zone sono progettate per essere tiepide per evitare la condensazione.

Collegamento elettrico

Collegare il frigorifero ad una presa di messa a terra protetta da un fusibile della capacità appropriata.

Importante:

- Il collegamento deve essere conforme ai regolamenti nazionali.
- Il cavo di alimentazione deve essere facilmente accessibile dopo l'installazione.
- La tensione specificata deve essere pari a quella di rete.
- **Le prolunghe e le prese multiple non devono essere usate per il collegamento.**

⚠ Un cavo di alimentazione danneggiato deve essere sostituito da un elettricista qualificato.

⚠ L'apparecchio non deve essere usato finché non viene riparato! C'è pericolo di shock elettrico!

Smaltimento del materiale di imballaggio

I materiali di imballaggio potrebbero essere dannosi per i bambini.

Tenere i materiali di imballaggio fuori dalla portata dei bambini o smaltirli classificandoli secondo le istruzioni sui rifiuti. Non smaltirli insieme ai normali rifiuti domestici.

L'imballaggio del frigorifero è prodotto con materiali riciclabili.

Smaltimento del vecchio frigorifero

Smaltimento del vecchio frigorifero senza danni per l'ambiente.

- Bisogna consultare il rivenditore autorizzato o il centro di raccolta rifiuti della propria città per quanto riguarda lo smaltimento del frigorifero.

Prima di smaltire il frigorifero, tagliare la spina elettrica e, se ci sono blocchi allo sportello, renderli inutilizzabili per proteggere i bambini da eventuali pericoli.

Posizionamento e installazione

⚠ Nel caso in cui la porta di ingresso della stanza in cui il frigorifero deve essere posizionato non è abbastanza grande per il passaggio del frigorifero, chiamare il servizio autorizzato per rimuovere le porte del frigorifero e per farlo passare attraverso la porta.

1. Installare il frigorifero in un luogo che ne permetta il facile utilizzo.
2. Tenere il frigorifero lontano da fonti di calore, luoghi umidi e luce diretta del sole.
3. Intorno al frigorifero deve esserci ventilazione appropriata per poter avere operatività efficiente.

Se il frigorifero deve essere posizionato in un recesso della parete, è necessario porlo ad almeno 5 cm di distanza dal soffitto e a 5 cm dalla parete. Se il pavimento è coperto con un tappeto, l'apparecchio deve essere sollevato di 2,5 cm dal pavimento.

4. Posizionare l'elettrodomestico solo su superfici uniformi e piane per evitare dondolii.

5. Non tenere il frigorifero in ambienti con temperature inferiori ai 10°C.

Sostituzione della lampadina interna

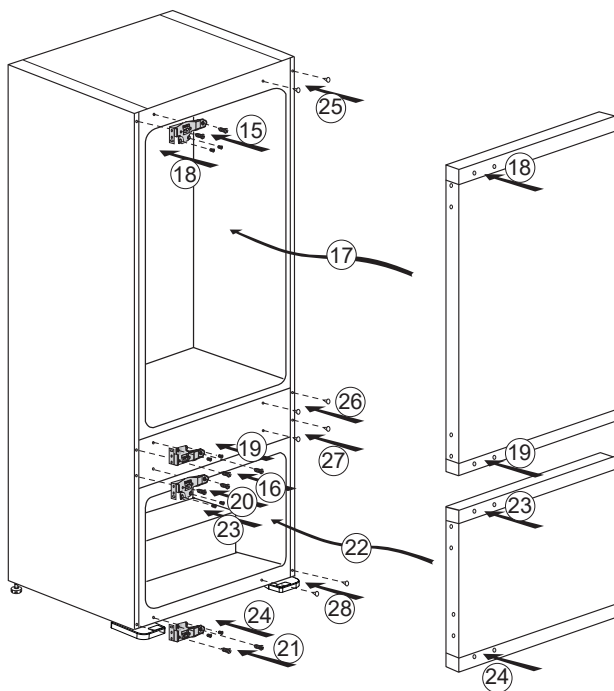
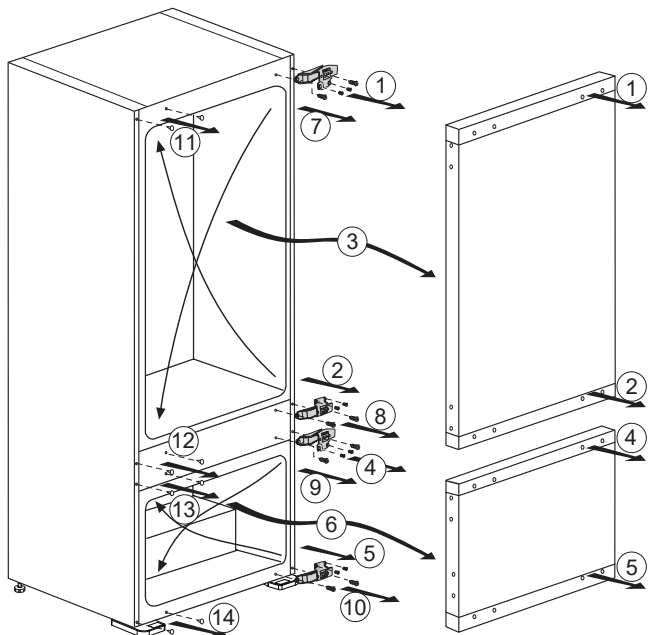
Per cambiare lampadina/LED utilizzati per illuminare il frigorifero, rivolgersi al Servizio Assistenza Autorizzato. La lampada (le lampade) usata (usate) nell'apparecchiatura non è (sono) adatta (adatte) per l'illuminazione domestica. L'obiettivo previsto per questa lampada è quello di assistere l'utente in fase di posizionamento degli alimenti all'interno del frigorifero / congelatore in modo sicuro e comodo. Le lampadine utilizzate in questo apparecchio devono sopportare condizioni fisiche estreme come temperature inferiori a -20°C.

4. Preparazione

- i** Il frigorifero dovrà essere installato ad almeno 30 cm lontano da fonti di calore, come forni, riscaldamento centrale e stufe e ad almeno 5 cm da forni elettrici e non deve essere esposto alla luce diretta del sole.
- i** La temperatura ambiente della stanza in cui viene installato il frigorifero deve essere almeno 10°C. Usare il frigorifero in ambienti con temperatura inferiore non è consigliabile per motivi di efficienza.
- i** Assicurarsi che l'interno del frigorifero sia ben pulito.
- i** In caso di installazione di due frigoriferi l'uno accanto all'altro, devono esservi almeno 2 cm di distanza tra di loro.
- i** Quando il frigorifero viene messo in funzione per la prima volta, osservare le seguenti istruzioni per le prime sei ore.
 - La porta non si deve aprire frequentemente.
 - Deve funzionare vuoto senza alimenti all'interno.
 - Non staccare il frigo dalla presa di corrente. Se si verifica un calo di potenza al di là del controllo dell'utente, vedere le avvertenze nella sezione **"Soluzioni consigliate per i problemi"**.
- i** Conservare i materiali originali di imballaggio per futuri trasporti o spostamenti.

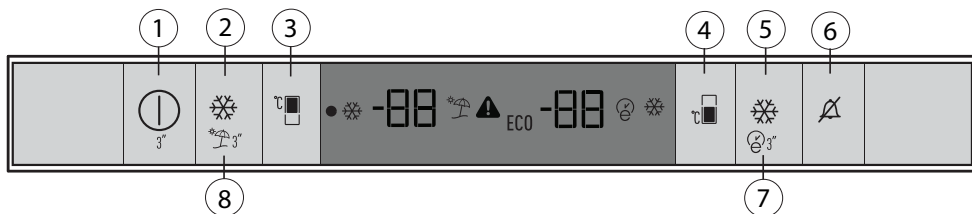
Inversione degli sportelli

Procedere in ordine numerico.



5. Utilizzo del frigorifero

Pannello di controllo



1. Indicatore di accensione / spegnimento

Premere il pulsante di accensione/spengimento per 3 secondi per spegnere o accendere il frigorifero. Quando il frigo è spento, si accende il simbolo (●). Tutti gli altri simboli si spengono.

2. Funzione frigo rapido

Il pulsante (☼) ha due funzioni. Per attivare o disattivare la funzione Quick Cool, premerlo brevemente. L'indicatore Quick Cool si spegne e il prodotto torna alle impostazioni normali.

Usare la funzione Quick Cool quando si desidera raffreddare velocemente gli alimenti posti nello scomparto frigo. Se è necessario raffreddare grandi quantità di cibo fresco, attivare questa funzione prima di inserire il cibo nel frigo.

Se non si annulla manualmente, la funzione Quick Cool si annullerà automaticamente dopo 1 ora al massimo o quando lo scomparto frigo ha raggiunto la temperatura richiesta. Questa funzione non viene richiamata quando l'alimentazione si ripristina dopo un'assenza di corrente.

3. Temperatura scomparto frigo: pulsante di impostazione

Premere questo pulsante (T) per impostare la temperatura dello scomparto frigo rispettivamente su 8, 7, 6, 5, 4, 3, 2, 8... Premere questo pulsante per impostare la temperatura desiderata per lo scomparto frigo.

4. Temperatura scomparto freezer: pulsante di impostazione

Premere questo pulsante (T) per impostare la temperatura dello scomparto freezer rispettivamente su -18, -19, -20, -21, -22, -23, -24, -18... Premere questo pulsante per impostare la temperatura dello scomparto freezer secondo il valore desiderato.

5. Pulsante funzione Quick Freeze

Premere questo pulsante (❄) per attivare o disattivare la funzione Quick Freeze. Quando si attiva la funzione, lo scomparto freezer viene raffreddato a una temperatura inferiore rispetto a quella impostata.

Usare la funzione Quick Freeze quando si desidera congelare velocemente gli alimenti posti nello scomparto freezer. Se è necessario congelare grandi quantità di cibo fresco, attivare questa funzione prima di inserire il cibo nel congelatore.

Se non si annulla la funzione Quick Freeze, essa si annulla automaticamente dopo 25 ore al massimo o quando lo scomparto congelatore ha raggiunto la temperatura richiesta. Questa funzione non viene richiamata quando l'alimentazione si ripristina dopo un'assenza di corrente.

6. Avvertenza disattivazione allarme:

In caso di mancanza di alimentazione/allarme alta temperatura, dopo aver controllato gli alimenti posizionati nello scomparto freezer, premere il pulsante di disattivazione dell'allarme (A) per annullare l'avvertenza.

7. Eco Fuzzy

Tenere premuto il pulsante (E) Eco Fuzzy per 3 secondi per attivare la funzione Eco Fuzzy. Il frigorifero inizia a funzionare nella modalità più economica almeno 6 ore dopo e si accende l'indicatore di uso economico (E). Tenere premuto il pulsante della funzione Eco Fuzzy per 3 secondi per disabilitarla. Questo indicatore si accende dopo 6 ore quando la funzione Eco Fuzzy è attivata, sempre che gli sportelli non siano aperti.

ECO indicatore sarà attivo se la temperatura dello scomparto freezer è impostata su -18°C.

8. Funzione Vacation

Per attivare la funzione di assenza (Vacation), premere questo pulsante (A) per 3 secondi e l'indicatore della modalità assenza (A) si attiva. Quando la funzione assenza è attiva, " - " si visualizza sull'indicatore della temperatura dello scomparto frigo e non viene eseguito il raffreddamento attivo nello scomparto frigo. Non si possono conservare gli alimenti nello scomparto frigo in questa funzione. Gli altri scomparti continuano a essere raffreddati secondo le temperature impostate. Per annullare questa funzione, premere di nuovo il pulsante **Vacation**.

VitaminCare+

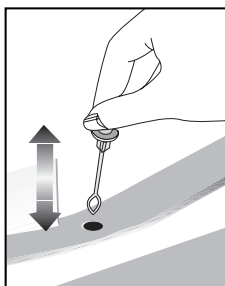
Frutta e verdura conservate in cassetti illuminati con la tecnologia VitaminCare+ conservano le loro vitamine A e C più a lungo grazie alle luci blu, verdi, rosse e ai cicli di buio che simulano un ciclo diurno. *Con questa tecnologia, potete mantenere frutta e verdura gustose e sane più a lungo, il che aiuta a ridurre al minimo gli sprechi di cibo.*

Aprendo lo sportello del frigorifero durante il periodo di buio della tecnologia VitaminCare+, il frigorifero fa una rilevazione automatica e permette alla luce blu, verde o rossa di illuminare il cassetto per la propria comodità. Dopo aver chiuso lo sportello del frigorifero, il periodo di buio continuerà, come fosse il periodo notturno in un ciclo diurno.

Sbrinamento

A) Scomparto frigo

Lo scomparto frigo effettua l'operazione di sbrinamento in modo totalmente automatico. È possibile che durante la fase di sbrinamento del frigo si formi uno strato di brina fino a 7-8 mm sulla parete posteriore dello scomparto frigo. Tale fenomeno è una normale conseguenza del sistema di raffreddamento. La brina viene eliminata mediante uno sbrinamento automatico a intervalli, grazie al sistema di sbrinamento automatico posto sulla parete posteriore. Non è pertanto necessario raschiare la brina o rimuovere le gocce d'acqua. L'acqua che viene prodotta dallo sbrinamento passa per la scanalatura di raccolta dell'acqua e fluisce nell'evaporatore attraverso il tubo di scarico e da lì evapora. Controllare regolarmente per vedere se il tubo di evaporazione è bloccato meno, e pulirlo con il bastoncino nel foro, quando necessario.

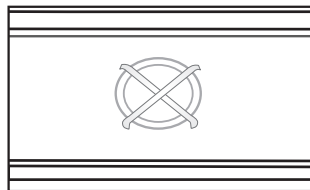


B) Scomparto freezer

Lo scomparto freezer si sbrina automaticamente.

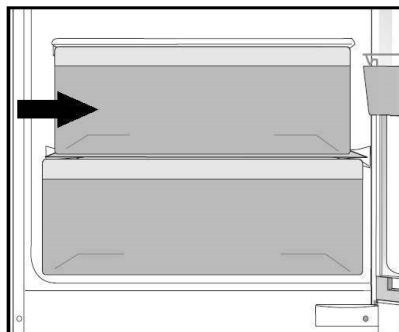
Avvertenza!

Le ventole nel freezer mettono in circolo aria fredda. Non inserire mai oggetti attraverso la protezione. Non consentire ai bambini di giocare con la ventola del freezer. Non conservare mai prodotti che contengono gas propellenti infiammabili (ad esempio erogatori, bombolette spray, ecc.) o sostanze esplosive. Non coprire le mensole con sostanze protettive che possono ostruire la circolazione dell'aria. Non permettere ai bambini di giocare con l'elettrodomestico o di manomettere i comandi. Non ostruire la protezione della ventola per garantire le migliori prestazioni dal proprio elettrodomestico.



Scomparto prodotti caseari (cella frigorifera)

Lo Scomparto prodotti caseari (cella frigorifera) fornisce una temperatura più bassa rispetto allo scomparto del frigorifero. Utilizzate questo scomparto per conservare i prodotti di salumeria (salami, salsicce, latticini, ecc.) che richiedono una temperatura di conservazione più bassa oppure carne, pollo o pesce per il consumo immediato. Non conservare frutta e verdura in questo scomparto.



6. Manutenzione e pulizia

- ⚠ Non usare mai gasolio, benzene o sostanze simili per scopi di pulizia.
- ⚠ È consigliato scollegare l'apparecchio prima della pulizia.
- ⚠ Non utilizzare mai attrezzi appuntiti o sostanze abrasive, saponi, detersivi per la casa o cere per la pulizia.
- ℹ Utilizzare acqua tiepida per pulire l'alloggiamento del frigorifero e asciugarlo.
- ℹ Utilizzare un panno umido intriso di una soluzione composta da un cucchiaino di bicarbonato di sodio e da circa mezzo litro di acqua e pulire l'interno, quindi asciugare.
- ⚠ Assicurarsi che l'acqua non penetri nel quadro di comando della temperatura.
- ⚠ Se il frigorifero non viene usato per un lungo periodo di tempo, scollegare il cavo di alimentazione, rimuovere tutti gli alimenti dal suo interno, pulirlo e lasciare lo sportello aperto.
- ℹ Controllare le guarnizioni della porta periodicamente per garantire che siano pulite e che non siano presenti particelle di cibo.
- ⚠ Per rimuovere il vassoio dello sportello, rimuovere tutto il contenuto e spingere semplicemente il vassoio verso l'alto.

Protezione delle superfici di plastica

- ℹ Non inserire oli liquidi o piatti cotti in olio nel frigorifero se in contenitori non sigillati poiché questi possono danneggiare le superfici in plastica del frigorifero. In caso di fuoriuscita di olio sulle superfici in plastica, pulire e asciugare le parti della superficie con acqua tiepida.

7. Soluzioni consigliate per i problemi

Prima di chiamare il servizio assistenza, rivedere la lista precedente. Si risparmierà tempo e denaro. Questa lista comprende frequenti reclami che non derivano da difetti di lavorazione o dai materiali utilizzati. Alcune delle funzioni descritte qui potrebbero non esistere nel proprio prodotto.

Il frigorifero non funziona.

- Il frigorifero è correttamente collegato alla corrente? Inserire la spina nella presa a muro.
- Il fusibile della presa a cui è collegato il frigorifero è funzionante o il fusibile principale è saltato? Controllare il fusibile.

Condensa sulla parete laterale dello scomparto frigo (MULTIZONE, COOL CONTROL e FLEXI ZONE).

- Ambiente in condizioni molto fredde. Apertura e chiusura frequente della porta Ambiente in condizioni molto umide Conservazione del cibo contenente liquidi in contenitori aperti. Porta lasciata aperta. Portare il termostato a temperatura inferiore.
- Diminuire il tempo di apertura della porta o aprirla meno frequentemente.
- Coprire il cibo contenuto in contenitori aperti con materiale adatto.
- Asciugare la condensa con un panno asciutto e controllare se continua.

Il compressore non funziona.

- La protezione termica del compressore è inattiva in caso di mancanza di corrente o di mancato collegamento alla presa, se il sistema refrigerante non è ancora stato regolato. Il frigorifero comincerà a funzionare dopo circa 6 minuti. Chiamare il servizio assistenza se il frigorifero non inizia a funzionare al termine di questo periodo.
- Il frigorifero è nel ciclo di sbrinamento. Si tratta di una cosa per un frigorifero con sbrinamento completamente automatico. Il ciclo di sbrinamento si verifica periodicamente.
- L'elettrodomestico non è collegato alla presa. Accertarsi che la spina sia inserita in modo corretto nella presa.
- Le regolazioni di temperatura sono eseguite correttamente?
- Potrebbe esserci un'assenza di corrente.

Il freezer funziona frequentemente o per lunghi periodi.

- Il nuovo frigorifero è più grande del precedente. Ciò è abbastanza normale. I grandi frigoriferi lavorano per lunghi periodi di tempo.
- La temperatura ambiente può essere alta. Ciò è abbastanza normale.
- Il frigorifero è stato collegato alla presa di recente o è stato riempito di cibo. Lo sbrinamento completo del frigorifero può durare un paio d'ore.
- Grandi quantità di cibo caldo sono state recentemente inserite. I cibi caldi devono essere raffreddati fino alla temperatura ambiente prima di essere riposti nel frigorifero.
- La porta del freezer rimane aperta per un lungo periodo o le porte sono state aperte di frequente. L'aria tiepida entrata nel frigorifero ne provoca il funzionamento per un periodo più lungo. Aprire le porte meno frequentemente.
- La porta del frigorifero o del freezer è stata lasciata aperta. La/e porta/e non si chiude/chiodono.
- Il frigo è regolato a temperatura molto bassa. Regolare la temperatura del frigorifero ad un livello più alto e attendere fino a che la stessa sia acquisita.
- La chiusura della porta del frigorifero o del freezer può essere usurata, rotta o non inserita in modo appropriato. Pulire o sostituire la guarnizione. Guarnizioni rotte o danneggiate provocano il funzionamento del frigo per periodi più lunghi per mantenere la temperatura corrente.

La temperatura ambiente è molto bassa mentre la temperatura del frigorifero è sufficiente.

- Il frigo è regolato a temperatura molto bassa. Regolare la temperatura ad un livello più alto e controllare.

La temperatura ambiente è molto bassa mentre la temperatura del freezer è sufficiente.

- Il frigorifero potrebbe essere stato regolato a temperatura molto bassa. Regolare la temperatura ad un livello più alto e controllare.

Il cibo che è nei cassetti dello scomparto frigo si sta congelando.

- Il frigorifero potrebbe essere stato regolato a temperatura molto bassa. Regolare la temperatura ad un livello più alto e controllare.

La temperatura del frigo o freezer è molto alta.

- Il frigorifero potrebbe essere stato regolato a temperatura molto alta. La regolazione del frigorifero provoca effetti sulla temperatura del freezer. Cambiare la temperatura di frigo o freezer fino a che essa non raggiunge un livello sufficiente.
- La porta del freezer rimane aperta per un lungo periodo o le porte sono state aperte di frequente; aprire con minore frequenza.
- La porta potrebbe essere rimasta aperta; chiudere la porta completamente.
- Grandi quantità di cibo caldo sono state recentemente inserite. Attendere fino a che il frigorifero o freezer non raggiungono la temperatura desiderata.
- Il frigorifero è stato collegato alla presa di recente. Lo sbrinamento completo del frigorifero ha bisogno di tempo.

Il rumore aumenta quando il frigorifero sta lavorando.

- La performance operativa del frigorifero può cambiare secondo i cambiamenti della temperatura ambiente. Si tratta di una cosa normale e non di un guasto.

Vibrazioni o rumore.

- Il pavimento non è orizzontale o è debole. Il frigorifero ondeggia quando si sposta lentamente. Accertarsi che il pavimento sia in piano e forte abbastanza da sopportare il frigorifero.
- Il rumore potrebbe essere provocato dagli oggetti nel frigorifero. Bisogna rimuovere gli oggetti sopra al frigorifero.

Ci sono rumori che provengono dal frigorifero come gocciolamenti o spruzzo di liquidi.

- Il flusso di liquido e gas si verifica secondo i principi operativi del frigorifero. Si tratta di una cosa normale e non di un guasto.

C'è un rumore come vento che soffia.

- Le ventole sono usate per raffreddare il frigorifero. Si tratta di una cosa normale e non di un guasto.

Condensa sulla parete interna del frigorifero.

- Il clima caldo/umido aumenta il ghiaccio e la condensa. Si tratta di una cosa normale e non di un guasto.
- Le porte potrebbero essere state lasciate aperte; assicurarsi che sono completamente chiuse.
- La porta del freezer rimane aperta per un lungo periodo o le porte sono state aperte di frequente; aprire con minore frequenza.

Umidità al di fuori del frigorifero o tra le porte.

- Potrebbe esserci umidità nell'aria; questo è normale nei climi umidi. Al diminuire dell'umidità, la condensa scompare.

Odore cattivo dentro al frigorifero.

- L'interno del frigorifero deve essere pulito. Pulire l'interno con una spugna, acqua tiepida o carbonata.
- Alcuni contenitori o alcuni materiali per la confezione possono provocare odori. Usare contenitori diversi o marche diverse.

La porta non è chiusa.

- Il cibo impedisce la chiusura della porta. Sostituire le confezioni che ostruiscono la porta.
- Il frigorifero non è completamente verticale sul pavimento e rotola quando è spostato leggermente. Regolare le viti di elevazione.
- Il pavimento non è orizzontale o forte. Accertarsi che il pavimento sia in piano, forte e in grado di sopportare il frigorifero.

Gli scomparti frutta e verdura sono bloccati.

- Il cibo potrebbe toccare il tetto del cassetto. Risistemare il cibo nel cassetto.

Veillez d'abord lire la notice d'utilisation !

Chère cliente, cher client,

Nous espérons que votre produit, qui a été fabriqué dans des usines modernes et vérifié au terme des procédures de contrôle de qualité les plus méticuleuses, vous aidera efficacement.

Pour cette raison, nous vous conseillons de lire attentivement tout le manuel d'utilisation de votre produit avant de vous en servir, et de le conserver ensuite pour une utilisation ultérieure.


Le présent manuel

- Vous aidera à utiliser votre produit avec rapidité et sécurité.
- Lisez le manuel avant d'installer et de faire fonctionner votre produit.
- Respectez les instructions, notamment celles relatives à la sécurité.
- Conservez ce manuel dans un endroit facilement accessible car vous pouvez en avoir besoin ultérieurement.
- En plus, lisez également les autres documents fournis avec votre produit.
- Veuillez noter que ce manuel peut également être valide pour d'autres modèles.

Symboles et descriptions

Vous retrouverez les symboles suivants dans le présent manuel:

 Informations importantes ou astuces.

 Avertissement relatif aux conditions dangereuses pour la vie et la propriété.

 Avertissement relatif à la tension électrique.



ATTENTION!

Pour assurer un fonctionnement normal de votre appareil qui utilise un agent frigorigère écologique, R600a (inflammable seulement sous certaines conditions) vous devez respecter les règles suivantes:

- N'empêchez pas la libre circulation de l'air autour de l'appareil.
- N'utilisez pas des dispositifs mécaniques pour accélérer le dégivrage, autres que ceux recommandés par le fabricant.
- Ne détruisez pas le circuit frigorigère.
- N'utilisez pas des appareils électriques à l'intérieur du compartiment pour conserver les aliments, hormis celles qui sont éventuellement recommandés par le fabricant.

INFORMATIONS

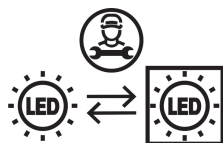


Vous pouvez accéder aux informations relatives au modèle telles que sauvegardées dans la base de données des produits en entrant le site internet suivant et en recherchant l'identifiant de votre modèle (*) qui se trouve sur la vignette énergie

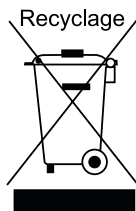
<https://eprel.ec.europa.eu/>

Table des matières

1 Votre réfrigérateur	3	4 Préparation	9
2 Précautions importantes pour votre sécurité	4	Réversibilité des portes.....	10
Utilisation prévue	4	5 Utilisation de votre réfrigérateur	11
Sécurité générale.....	4	Touches de Contrôle	11
Sécurité enfants.....	6	VitaminCare+	12
Conformité avec la directive LdSD:	6	Décongélation	12
Avertissement sur l'usage des fluides frigorigènes	6	Le compartiment des produits laitiers (entrepôt frigorifique)	12
Mesures d'économie d'énergie.....	6	6 Entretien et nettoyage	13
3 Installation	7	Protection des surfaces en plastique	13
Points à prendre en compte lorsque vous transportez à nouveau votre produit.....	7	7 Solutions recommandées aux problèmes	14
Avant de faire fonctionner votre réfrigérateur	7		
Branchement électrique	7		
Mise au rebut de l'emballage	8		
Mise au rebut de votre ancien réfrigérateur	8		
Disposition et Installation	8		
Remplacement de l'ampoule intérieure	8		

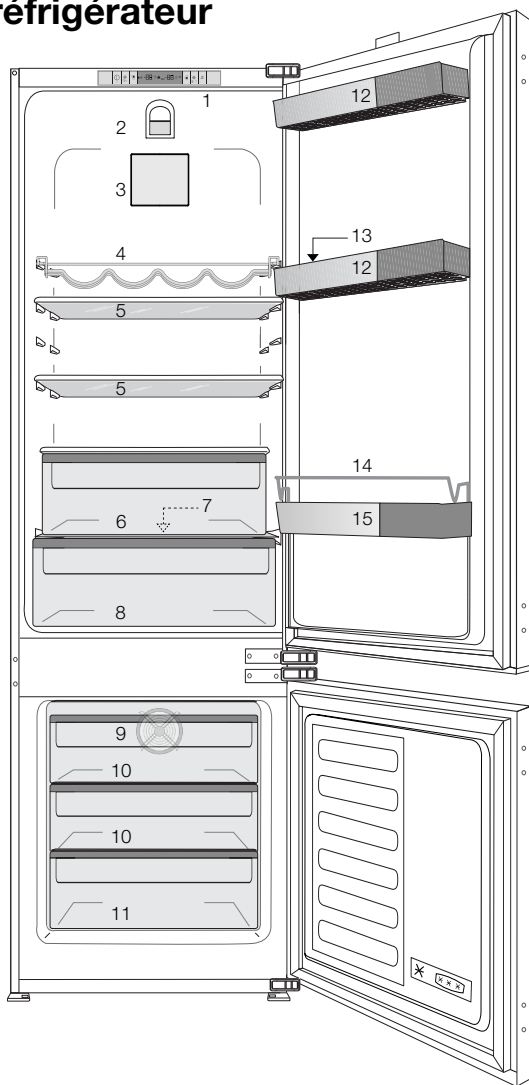


Cet appareil est doté d'une source d'éclairage de classe énergétique "G". Seuls des réparateurs qualifiés sont autorisés à procéder au remplacement de la source d'éclairage de cet appareil.



Ce produit est marqué du symbole du tri sélectif, relatif aux déchets d'équipements électriques et électroniques. Cela signifie que ce produit doit être pris en charge par un système de collecte sélectif conformément à la directive européenne 2012/19/EU, afin de pouvoir être recyclé ou démantelé dans le but de réduire tout impact sur l'environnement. Attention les produits électroniques n'ayant pas fait l'objet d'un tri sélectif sont potentiellement dangereux pour l'environnement et la santé humaine en raison de la présence potentielle de substances dangereuses.

1. Votre réfrigérateur



- | | |
|---|--|
| 1. Bandeau de commande | 9. Ventilateur du congélateur |
| 2. Logement de l'ampoule | 10. Compartiment de congélation rapide |
| 3. Ventilateur du réfrigérateur | 11. Compartiments de congélation |
| 4. Clayette support bouteille | 12. Balconnets ajustables |
| 5. Clayettes en verre | 13. Compartiment à œufs |
| 6. Compartiment des produits laitiers | 14. Porte-bouteilles métallique |
| 7. Canal collecteur de l'eau de dégivrage | 15. Balconnet à bouteilles |
| 8. Tiroir à fruit et légumes | |

i Les illustrations présentées dans cette notice d'utilisation sont schématiques et peuvent ne pas correspondre exactement à votre produit. Si des pièces présentées ne sont pas comprises dans le produit que vous avez acheté, elles sont valables pour d'autres modèles.

EN

IT

FR

DE

2. Précautions importantes pour votre sécurité

Veillez examiner les informations suivantes: Le non respect de ces consignes peut entraîner des blessures ou dommages matériels. Sinon, tout engagement lié à la garantie et à la fiabilité du produit devient invalide.

Les pièces détachées d'origine sont disponibles pendant 10 ans, à compter de la date d'achat du produit.

Utilisation prévue

Ce produit est prévu pour une utilisation:

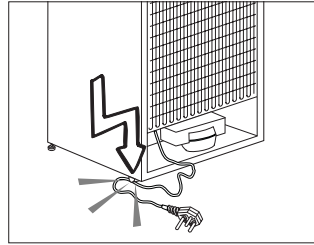
- en intérieur et dans des zones fermées telles que les maisons;
- dans les environnements de travail fermés, tels que les magasins et les bureaux;
- dans les lieux d'hébergement fermés, tels que les fermes, hôtels, pensions.
- Cet appareil ne doit pas être utilisé en extérieur.

Sécurité générale

- Avant de vous débarrasser de votre appareil, veuillez consulter les autorités locales ou votre revendeur pour connaître le mode opératoire et les organismes de collecte agréés.
- Consultez le service après-vente agréé concernant toutes questions ou problèmes relatifs au réfrigérateur. N'intervenez pas ou ne laissez personne intervenir sur le réfrigérateur sans le communiquer au service après-vente agréé.
- Pour les produits équipés d'un compartiment congélateur: ne mangez pas de cônes de crème glacée ou des glaçons immédiatement après les avoir sortis du compartiment de congélation ! (Cela pourrait provoquer des engelures dans votre bouche).
- Pour les produits équipés d'un compartiment congélateur: ne placez pas de boissons en bouteille ou en cannette dans le compartiment de congélation. Cela peut entraîner leur éclatement.
- Ne touchez pas des produits congelés avec les mains, ils pourraient se coller à celles-ci.
- Débranchez votre réfrigérateur avant de le nettoyer ou de le dégivrer.
- La vapeur et des matériaux de nettoyage pulvérisés ne doivent jamais être utilisés pour les processus de nettoyage ou de dégivrage de votre réfrigérateur. La vapeur pourrait pénétrer dans les pièces électriques et provoquer des courts-circuits ou des électrocutions.
- Ne jamais utiliser les pièces de votre réfrigérateur telles que la porte, comme un support ou une marche.
- N'utilisez pas d'appareils électriques à l'intérieur du réfrigérateur.
- N'endommagez pas les pièces où circule le liquide réfrigérant avec des outils de forage ou coupants. Le liquide réfrigérant qui pourrait s'échapper si les canalisations de gaz de l'évaporateur, les rallonges de tuyau ou les revêtements de surface étaient percés, peut irriter la peau et provoquer des blessures aux yeux.
- Ne pas couvrir ou obstruer les orifices de ventilation du réfrigérateur.
- Les appareils électriques peuvent être réparés seulement par des personnes autorisées. Les réparations réalisées par des personnes ne présentant pas les compétences requises peuvent présenter un risque pour l'utilisateur.
- En cas de dysfonctionnement ou lors d'opérations d'entretien ou de réparation, débranchez l'alimentation électrique du réfrigérateur soit en désactivant le fusible correspondant, soit en débranchant l'appareil.
- Ne tirez pas sur le câble lorsque vous débranchez la prise.

- Placez les boissons alcoolisées verticalement, dans des récipients convenablement fermés.
- Ne conservez jamais des aérosols contenant des substances inflammables et explosives dans le réfrigérateur.
- N'utilisez pas d'outils mécaniques ou autres dispositifs pour accélérer le processus de décongélation autres que ceux qui sont recommandés par le fabricant.
- Cet appareil peut être utilisé par des enfants âgés d'au moins 8 ans et par des personnes ayant des capacités physiques, sensorielles ou mentales réduites ou dénuées d'expérience ou de connaissance, s'ils (si elles) sont correctement surveillé(es) ou si des instructions relatives à l'utilisation de l'appareil en toute sécurité leur ont été données et si les risques encourus ont été appréhendés. Les enfants ne doivent pas jouer avec l'appareil. Le nettoyage et l'entretien par l'utilisateur doivent pas être effectués par des enfants sans surveillance.
- Ne faites pas fonctionner un réfrigérateur endommagé. Consultez le service agréé en cas de problème.
- La sécurité électrique du réfrigérateur n'est assurée que si le système de mise à la terre de votre domicile est conforme aux normes en vigueur.
- L'exposition du produit à la pluie, la neige, au soleil ou au vent présente des risques concernant la sécurité électrique.
- Contactez le service agréé quand un câble d'alimentation est endommagé pour éviter tout danger.
- Ne branchez jamais le réfrigérateur à la prise murale au cours de l'installation. Vous vous exposeriez à un risque de mort ou à de blessures graves.
- Ce réfrigérateur est conçu seulement pour conserver des aliments. Par conséquent, il ne doit pas être utilisé à d'autres fins.
- L'étiquette avec les caractéristiques techniques est située sur le mur gauche à l'intérieur du réfrigérateur.
- Ne branchez jamais votre réfrigérateur à des systèmes d'économie d'énergie, cela peut l'endommager.

- S'il y a une lumière bleue sur le réfrigérateur, ne la regardez pas avec des outils optiques.
- Pour les réfrigérateurs contrôlés manuellement, attendez au moins 5 minutes pour allumer le réfrigérateur après une coupure de courant.
- Si cet appareil venait à changer de propriétaire, n'oubliez pas de remettre la présente notice d'utilisation au nouveau bénéficiaire.
- Évitez d'endommager le câble d'alimentation quand vous transportez le réfrigérateur. Tordre le câble peut entraîner un incendie. Ne placez jamais d'objets lourds sur le câble d'alimentation.



- Évitez de toucher à la prise avec des mains mouillées au moment de brancher l'appareil.
- Évitez de brancher le réfrigérateur lorsque la prise de courant électrique a lâché.
- Pour des raisons de sécurité, évitez de pulvériser directement de l'eau sur les parties externes et internes du réfrigérateur.
- Ne pulvérisez pas de substances contenant des gaz inflammables comme du propane près du réfrigérateur pour éviter tout risque d'incendie et d'explosion.
- Ne placez jamais de récipients contenant de l'eau sur votre réfrigérateur, ils pourraient causer des chocs électriques ou un incendie.
- Évitez de surcharger le réfrigérateur avec une quantité excessive d'aliments. S'il est surchargé, les aliments peuvent tomber, vous blesser et endommager le réfrigérateur quand vous ouvrez la porte.
- Ne placez jamais d'objets au-dessus du réfrigérateur, ils pourraient tomber quand vous ouvrez ou fermez la porte du réfrigérateur.

- Les produits qui nécessitent un contrôle de température précis (vaccin, médicament sensible à la chaleur, matériels scientifiques, etc.) ne doivent pas être conservés dans le réfrigérateur.
- Si le réfrigérateur n'est pas utilisé pendant longtemps, il doit être débranché. Un problème avec le câble d'alimentation pourrait causer un incendie.
- Le bout de la prise électrique doit être nettoyé régulièrement, sinon il peut provoquer un incendie.
- Le bout de la prise électrique doit être nettoyé régulièrement à l'aide d'un chiffon sec, sinon il peut provoquer un incendie.
- Le réfrigérateur peut bouger si ses pieds réglables ne sont pas bien fixés sur le sol. Bien fixer les pieds réglables sur le sol peut empêcher le réfrigérateur de bouger.
- Quand vous transportez le réfrigérateur, ne le tenez pas par la poignée de la porte. Cela peut le casser.
- Quand vous devez placer votre produit près d'un autre réfrigérateur ou congélateur, la distance entre les appareils doit être d'au moins 8 cm. Sinon, les murs adjacents peuvent être humidifiés.

Sécurité enfants

- Si la porte a un verrouillage, la clé doit rester hors de portée des enfants.
- Les enfants doivent être surveillés et empêchés de s'amuser avec le produit.

Conformité avec la directive LdSD:

- L'appareil que vous avez acheté est conforme à la directive RoHS (2011/65/UE) de l'UE. Il ne comporte pas de matériaux dangereux et interdits mentionnés dans la Directive.

Avertissement sur l'usage des fluides frigorigènes

Si le système de refroidissement de votre appareil contient R600a:

Ce gaz est inflammable. Par conséquent, veuillez prendre garde à ne pas endommager le système de refroidissement et les tuyauteries lors de son utilisation ou de son transport.

En cas de dommages, éloignez votre produit de toute source potentielle de flammes susceptible de provoquer l'incendie de l'appareil. De même, placez le produit dans une pièce aérée.

Ne tenez pas compte de cet avertissement si le système de refroidissement de votre appareil contient R134a.

Le type de gaz utilisé dans l'appareil est mentionné sur la plaque signalétique située sur le mur gauche à l'intérieur du réfrigérateur.

Ne jetez jamais l'appareil au feu pour vous en débarrasser.

Mesures d'économie d'énergie

- Ne laissez pas les portes du réfrigérateur ouvertes pendant une durée prolongée.
- N'introduisez pas de aliments ou de boissons chaudes dans le réfrigérateur.
- Ne surchargez pas le réfrigérateur pour ne pas obstruer pas la circulation d'air à l'intérieur.
- N'installez pas le réfrigérateur à la lumière directe du soleil ou près d'appareil émettant de la chaleur tels qu'un four, un lave-vaisselle ou un radiateur.
- Veillez à conserver vos aliments dans des récipients fermés.
- Pour les produits équipés d'un compartiment congélateur: vous pouvez conserver une quantité maximale d'aliments dans le congélateur quand vous enlevez l'étagère ou le tiroir du congélateur. La consommation d'énergie précisée pour votre réfrigérateur a été déterminée en enlevant l'étagère ou le tiroir du congélateur et avec la charge maximale. Il n'y aucun risque à utiliser une étagère ou un tiroir en fonction des formes et tailles des aliments à congeler.
- La décongélation des aliments dans le compartiment réfrigérateur permet de faire des économies d'énergie et de préserver la qualité des aliments.

3. Installation

⚠ Veuillez noter que le fabricant ne pourra être tenu responsable si les informations fournies dans cette notice d'utilisation ne sont pas respectées.

Points à prendre en compte lorsque vous transportez à nouveau votre produit

1. Le réfrigérateur doit être vidé et nettoyé avant tout transport.
2. Les clayettes, accessoires, bac à légumes, etc. de votre réfrigérateur doivent être fixés solidement avec de la bande adhésive avant de remballer l'appareil, pour le protéger en cas de chocs.
3. L'emballage doit être fixé avec une bande adhésive forte et des cordes solides, et les normes de transport indiquées sur l'emballage doivent être appliquées.

Gardez à l'esprit les points suivants...

Chaque matériau recyclé est une participation indispensable à la préservation de la nature et conservation de nos ressources nationales.

Si vous souhaitez contribuer à recycler les matériaux d'emballage, vous pouvez obtenir des informations supplémentaires auprès des organismes environnementaux ou des autorités locales.

Avant de faire fonctionner votre réfrigérateur

Avant de commencer à faire fonctionner votre réfrigérateur, vérifier les points suivants:

1. L'intérieur du réfrigérateur est sec et l'air peut circuler librement à l'arrière?
2. Nettoyez l'intérieur du réfrigérateur tel qu'indiqué dans la section « **Entretien et nettoyage** ».
3. Branchez le réfrigérateur dans la prise murale. Lorsque la porte du réfrigérateur est ouverte, l'éclairage intérieur s'allumera.
4. Vous remarquerez un bruit lorsque le compresseur se met en marche. Le liquide et les gaz intégrés au système du réfrigérateur peuvent également faire du bruit, que le compresseur soit en marche ou non. Ceci est tout à fait normal.
5. Les parties antérieures du réfrigérateur peuvent chauffer. Ce phénomène est normal. Ces zones doivent en principe être chaudes pour éviter tout risque de condensation.

Branchement électrique

Branchez votre réfrigérateur à une prise de mise à la terre protégée par un fusible ayant une capacité appropriée.

Important:

- Le branchement doit être conforme aux normes en vigueur sur le territoire national.
- La fiche de câble d'alimentation doit être facilement accessible après installation.
- La tension spécifiée doit être égale à votre tension de secteur.
- **Les rallonges et prises multivoies ne doivent pas être utilisés pour brancher l'appareil.**

⚠ Un câble d'alimentation endommagé doit être remplacé par un électricien qualifié.

⚠ L'appareil ne doit pas être mis en service avant d'être réparé ! Un risque de choc électrique existe !

Mise au rebut de l'emballage

Les matériaux d'emballage peuvent être dangereux pour les enfants. Tenez les matériaux d'emballage hors de portée des enfants ou débarrassez-vous-en conformément aux consignes sur les déchets. Ne les jetez pas aux côtés des ordures ménagères ordinaires. L'emballage de votre appareil est produit à partir des matériaux recyclables.

Mise au rebut de votre ancien réfrigérateur

Débarrassez-vous de votre ancien réfrigérateur sans nuire à l'environnement.

- Vous pouvez consulter le service après-vente agréé ou le centre chargé de la mise au rebut dans votre municipalité pour en savoir plus sur la mise au rebut de votre produit.

Avant de procéder à la mise au rebut de votre machine, coupez la prise électrique et, le cas échéant, tout verrouillage susceptible de se trouver sur la porte. Rendez-les inopérants afin de ne pas exposer les enfants à d'éventuels dangers.

Disposition et Installation

⚠ Si la porte d'entrée de la pièce où sera installé le réfrigérateur n'est pas assez large pour laisser passer le réfrigérateur, appelez alors le service après-vente pour faire retirer les portes du réfrigérateur et le faire passer latéralement.

1. Installez le réfrigérateur dans un emplacement qui permette une utilisation pratique.
2. Maintenez le réfrigérateur éloigné de toutes sources de chaleur, des endroits humides et de la lumière directe du soleil.
3. Une ventilation d'air autour du réfrigérateur doit être aménagée pour obtenir un fonctionnement efficace. Si le réfrigérateur est placé dans un enfoncement du mur, il doit y avoir un espace d'au moins 5 cm avec le plafond et d'au moins 5 cm avec le mur. Si le sol est couvert de moquette, votre produit doit être surélevé à 2,5 cm du sol.
4. Placez le réfrigérateur sur un a de surface plane afin d'éviter les à-coups.
5. N'exposez pas le réfrigérateur à des températures ambiantes inférieures à 10°C.

Remplacement de l'ampoule intérieure

Pour remplacer la lampe LED du réfrigérateur, veuillez contacter le service après-vente agréé. La lampe (s) utilisé dans cet appareil ne convient pas pour l'éclairage de la salle de ménage. Le but visé par cette lampe est d'aider à l'utilisateur de placer les aliments dans le réfrigérateur / congélateur d'une manière sûre et confortable. Les voyants utilisés dans cet appareil doivent résister aux conditions physiques extrêmes telles que des températures inférieures à -20°C.

4. Préparation

- Votre réfrigérateur doit être installé à au moins 30 cm des sources de chaleur telles que les plaques de cuisson, les fours, appareils de chauffage ou cuisinières, et à au moins 5 cm des fours électriques. De même, il ne doit pas être exposé à la lumière directe du soleil.

- La température ambiante de la pièce où vous installez le réfrigérateur doit être d'au moins 10°C. Faire fonctionner l'appareil sous des températures inférieures n'est pas recommandé et pourrait nuire à son efficacité.

- Veuillez vous assurer que l'intérieur de votre appareil est soigneusement nettoyé.

- Si deux réfrigérateurs sont installés côte à côte, ils doivent être séparés par au moins 2 cm.

- Lorsque vous faites fonctionner le réfrigérateur pour la première fois, assurez-vous de suivre les instructions suivantes pendant les six premières heures.

- La porte ne doit pas être ouverte fréquemment.

- Le réfrigérateur doit fonctionner à vide, sans aliments à l'intérieur.

- Ne débranchez pas le réfrigérateur.

Si une panne de courant se produit, veuillez vous reporter aux

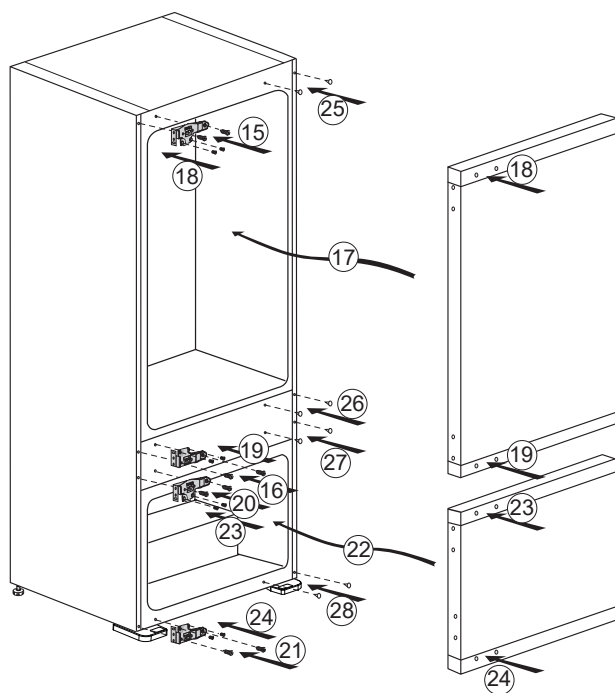
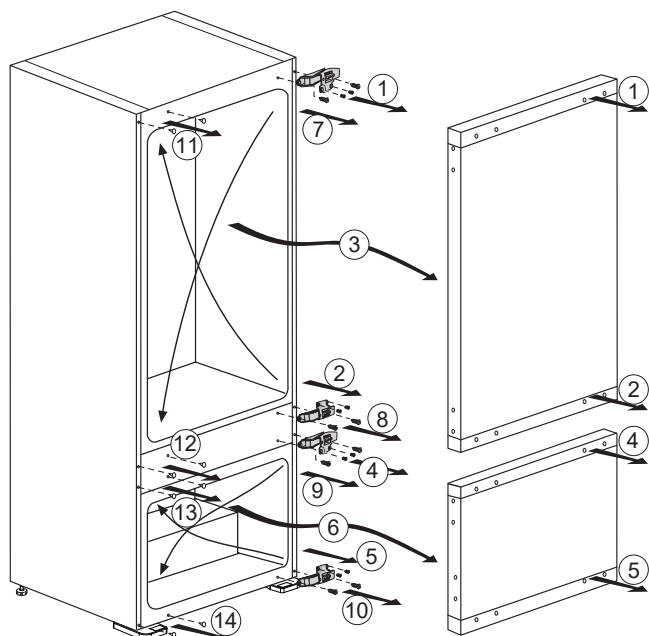
avertissements dans la section

« **Solutions recommandées aux problèmes** ».

- L'emballage et les matériaux de protection d'emballage doivent être conservés pour les éventuels transports ou déplacements à venir.

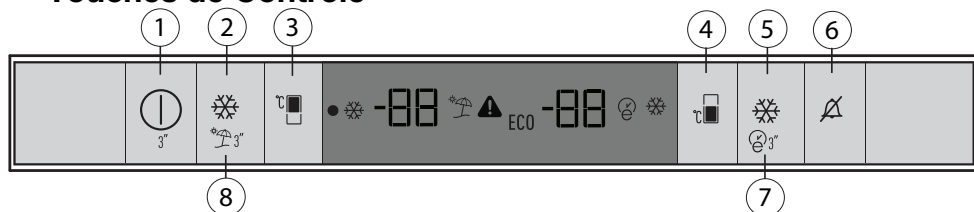
Réversibilité des portes

Procédez dans l'ordre numérique.



5. Utilisation de votre réfrigérateur

Touches de Contrôle



1. Voyant indicateur de marche / d'arrêt

Appuyez sur la touche On/Off pendant 3 secondes pour allumer ou éteindre le réfrigérateur. Lorsque le réfrigérateur est à l'arrêt, le voyant (●) s'allume. Tous les autres voyants sont éteints.

2. Fonction de réfrigération rapide

Ce bouton (❄️) est doté de deux fonctions. Appuyez brièvement sur ce bouton pour activer ou désactiver la fonction de refroidissement rapide. Le voyant de refroidissement rapide s'éteint et l'appareil retourne à son réglage normal.

Utilisez la fonction de refroidissement rapide lorsque vous souhaitez refroidir rapidement les aliments placés dans le compartiment réfrigérateur. Si vous souhaitez refroidir de grandes quantités d'aliments frais, nous vous recommandons d'activer cette fonction au préalable.

Après 1 heure de temps ou lorsque le compartiment réfrigérateur atteint la température souhaitée, la fonction de refroidissement rapide s'annule automatiquement si vous ne l'annulez pas vous-même. Cette fonction n'est pas reprise lorsque le courant est rétabli après une panne de courant.

3. Bouton de réglage de la température du compartiment réfrigérateur

Appuyez sur ce bouton (🌡️) pour régler la température du compartiment réfrigérateur à 8, 7, 6, 5, 4, 3, 2, 8... respectivement. Appuyez sur ce bouton pour définir la température souhaitée pour le compartiment du réfrigérateur.

4. Bouton de réglage de température du compartiment congélateur

Appuyez sur ce bouton (🌡️) pour régler la température du compartiment de congélation à -18, -19, -20, -21, -22, -23, -24, -18... respectivement. Appuyez sur ce bouton pour définir la température souhaitée pour le compartiment congélateur.

5. Bouton de la fonction de congélation rapide

Appuyez sur ce bouton (❄️) pour activer ou désactiver la fonction de congélation rapide. Lorsque vous activez cette fonction, le compartiment congélateur refroidi à une température inférieure à la valeur de consigne.

Utilisez la fonction de congélation rapide lorsque vous souhaitez congeler rapidement les aliments placés dans le compartiment congélateur. Si vous souhaitez congeler de grandes quantités d'aliments, nous vous recommandons d'activer cette fonction au préalable.

Au bout de 25 heures de temps ou lorsque le compartiment congélateur atteint la température souhaitée, la fonction de congélation rapide se désactive automatiquement si vous ne la désactivez pas vous-même. Cette fonction n'est pas reprise lorsque le courant est rétabli après une panne de courant.

6. Avertissement d'alarme désactivée

En cas de coupure d'électricité/d'alarme de température élevée, appuyez sur le bouton d'alarme désactivée (🚫) pour annuler l'alarme, après avoir inspecté les aliments placés dans le compartiment de congélation.

7. Eco fuzzy

Appuyez sur le bouton (🌿) Eco fuzzy pendant 3 secondes pour activer la fonction Eco fuzzy. Le réfrigérateur commence à fonctionner avec le mode le plus économique au bout d'au moins 6 heures et l'indicateur d'utilisation économique s'allume (🌿). Appuyez et maintenez le bouton Eco fuzzy enfoncé pendant 3 secondes pour désactiver la fonction Eco fuzzy. Ce voyant s'allume au bout de 6 heures une fois la fonction Eco fuzzy activée, pourvu que les portes ne soient pas ouvertes. **ECO** indicateur est activé si la température du compartiment congélateur est réglée sur -18°C.

8. Fonction Vacances

Pour activer la fonction Vacances, appuyez sur ce bouton (🏖️) pendant 3 secondes. Le voyant du mode Vacances (🏖️) s'allume. Si la fonction Vacances est activée, « - - » s'affiche sur l'indicateur de température du compartiment de réfrigération et l'on n'observe aucun refroidissement actif dans le compartiment de réfrigération. Il n'est pas adapté de conserver des aliments dans le compartiment réfrigérateur lorsque cette fonction est activée. Les autres compartiments maintiendront le niveau de froid paramétré. Pour désactiver cette fonction, appuyez à nouveau sur le bouton de la fonction **Vacances**.

EN

IT

FR

DE

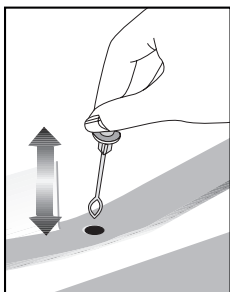
VitaminCare+

Les fruits et légumes conservés dans les bacs à légumes éclairés par la technologie VitaminCare+ conservent leur teneur en vitamines A et C plus longtemps grâce aux lumières bleues, vertes, rouges et aux cycles d'obscurité, qui simulent un cycle de jour. Grâce à cette technologie, vos fruits et légumes peuvent rester savoureux et sains plus longtemps, ce qui vous permet de réduire le gaspillage de nourriture à la maison. Si vous ouvrez la porte du réfrigérateur lorsque la technologie VitaminCare+ a activé la période d'obscurité, le réfrigérateur le détectera automatiquement et activera la lumière bleue, verte ou rouge afin d'éclairer le bac à légumes à votre convenance. Une fois que vous avez fermé la porte du réfrigérateur, la période d'obscurité se poursuit, représentant ainsi la nuit dans un cycle de jour.

Décongélation

A) Compartiment réfrigérateur

Le compartiment réfrigérateur se dégivre automatiquement. De l'eau s'écoule et une couche de givre pouvant atteindre 7-8 mm peut se former sur la paroi arrière interne du compartiment du réfrigérateur pendant le processus de refroidissement. Cette formation est normale, provoquée par le système de refroidissement. La formation de givre peut être supprimée par le dégivrage automatique qui s'active régulièrement grâce au système de dégivrage de la paroi arrière. L'utilisateur n'a pas besoin d'éliminer le givre ou les gouttes d'eau manuellement. L'eau générée par le dégivrage s'écoule dans la rainure de collecte de l'eau et passe dans l'évaporateur par le tuyau de vidange où elle s'évapore. Vérifiez régulièrement le tuyau de vidange pour vous assurer qu'il n'est pas obstrué et débouchez-le en introduisant un bâton dans le trou si nécessaire.

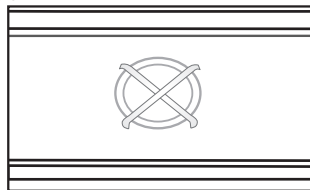


B) Compartiment congélateur

Le compartiment congélateur se dégivre automatiquement.

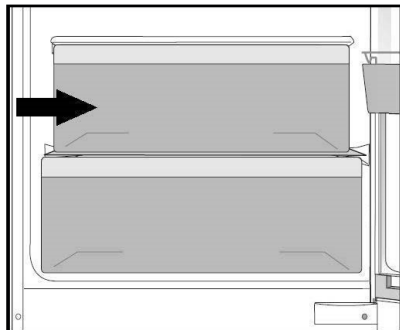
Avertissements!

Le ventilateur des compartiment congélateur font circuler de l'air froid. N'insérez jamais d'objets derrière la protection. Veillez à ce que les enfants ne jouent pas avec les ventilateur du congélateur. Ne conservez jamais de produits contenant du gaz propulseur inflammable (crème en bombe, bombes aérosols, etc.) ou des substances explosives. Ne recouvrez pas les clayettes de matériaux de protection qui pourraient obstruer la circulation d'air. Veillez à ce que les enfants ne jouent pas avec l'appareil et ne touchent pas aux commandes. N'obstruez pas la protection du ventilateur pour garantir les meilleures performances de votre appareil.



Le compartiment des produits laitiers (entrepôt frigorifique)

Le compartiment des produits laitiers (entrepôt frigorifique) fournit une température plus basse que celle du compartiment réfrigérateur. Utilisez ce compartiment pour conserver les charcuteries (salami, saucisses, produits laitiers, etc.) qui nécessitent une température de conservation plus basse ou des produits à base de viande, de poulet ou de poisson destinés à une consommation immédiate. Ne conservez pas les fruits et les légumes dans ce compartiment.



6. Entretien et nettoyage

- ⚠ N'utilisez jamais d'essence, de benzène ou de matériaux similaires pour le nettoyage.
- ⚠ Nous vous recommandons de débrancher l'appareil avant de procéder au nettoyage.
- 🔧 N'utilisez jamais d'ustensiles tranchants, savon, produit de nettoyage domestique, détergent et cirage pour le nettoyage.
- 🔧 Utilisez de l'eau tiède pour nettoyer la carrosserie du réfrigérateur et séchez-la soigneusement à l'aide d'un chiffon.
- 🔧 Utilisez un chiffon humide imbibé d'une solution composée d'une cuillère à café de bicarbonate de soude pour un demi litre d'eau pour nettoyer l'intérieur et séchez soigneusement.
- ⚠ Prenez soin de ne pas faire couler d'eau dans le logement de la lampe et dans d'autres éléments électriques.
- ⚠ En cas de non utilisation de votre réfrigérateur pendant une période prolongée, débranchez le câble d'alimentation, sortez toutes les aliments, nettoyez-le et laissez la porte entrouverte.
- 🔧 Inspectez les joints de porte régulièrement pour vérifier qu'ils sont propres et qu'il n'y a pas de particules de nourriture.
- 🔧 Pour retirer les balconnets de portes, sortez tout son contenu puis poussez simplement le balconnet vers le haut à partir de la base.

Protection des surfaces en plastique

- Ne placez pas d'huiles ou de plats huileux dans le réfrigérateur dans des récipients non fermés, car les graisses peuvent endommager les surfaces en plastique du réfrigérateur. Si vous versez ou éclaboussez de l'huile sur les surfaces en plastique, nettoyez et lavez les parties souillées avec de l'eau chaude immédiatement.

7. Solutions recommandées aux problèmes

Veillez vérifier la liste suivante avant d'appeler le service après-vente. Cela peut vous faire économiser du temps et de l'argent. Cette liste regroupe les problèmes les plus fréquents ne provenant pas d'un défaut de fabrication ou d'utilisation du matériel. Il se peut que certaines des fonctions décrites ne soient pas présentes sur votre produit.

Le réfrigérateur ne fonctionne pas.

- Le réfrigérateur est-il correctement branché ? Insérez la prise dans la prise murale.
- Est-ce que le fusible ou la douille de raccord du réfrigérateur sont connectés ou est-ce que le fusible principal a sauté ? Vérifiez le fusible.

Condensation sur la paroi intérieure du compartiment réfrigérateur. (MULTIZONE, COOL CONTROL et FLEXI ZONE).

- Température ambiante très basse. Ouvertures et fermetures fréquentes de la porte. Humidité ambiante très élevée. Conservation de aliments liquides dans des récipients ouverts. Porte laissée entrouverte. Réglez le thermostat à un niveau de froid supérieur.
- Réduisez les temps d'ouverture de la porte ou utilisez-la moins fréquemment.
- Couvrez les aliments dans des récipients ouverts à l'aide d'un matériau adapté.
- Essuyez la condensation à l'aide d'un tissu sec et vérifiez si elle persiste.

Le compresseur ne fonctionne pas.

- Le dispositif de protection thermique du compresseur sautera en cas de coupures soudaines du courant ou de débranchement intempestif, en effet la pression du liquide réfrigérant du système de refroidissement ne sera pas équilibrée. Le réfrigérateur recommencera à fonctionner normalement après 6 minutes environ. Veuillez contacter le service après-vente si le réfrigérateur ne redémarre pas après cette période.
- Le réfrigérateur est en mode de dégivrage. Cela est normal pour un réfrigérateur à dégivrage semi-automatique. Le cycle de dégivrage se déclenche régulièrement.
- Le réfrigérateur n'est pas branché à la prise. Assurez-vous que la prise est branchée à la prise murale.
- Les réglages de température sont-ils corrects ?
- Il se peut qu'il y ait une panne d'électricité.

Le réfrigérateur fonctionne fréquemment ou pendant de longues périodes.

- Votre nouveau réfrigérateur est peut être plus large que l'ancien. Ceci est tout à fait normal. Les grands réfrigérateurs fonctionnent pendant une période de temps plus longue.
- La température ambiante de la salle peut être élevée. Ceci est tout à fait normal.
- Le réfrigérateur pourrait y avoir été branché tout récemment ou pourrait avoir été chargé de aliments alimentaires. Le refroidissement complet du réfrigérateur peut durer quelques heures de plus.
- D'importantes quantités de aliments chaudes ont peut être été introduites dans le réfrigérateur récemment. Les aliments chauds provoquent un fonctionnement prolongé du réfrigérateur avant d'atteindre le niveau de température de conservation raisonnable.
- Les portes ont peut être été ouvertes fréquemment ou laissées entrouvertes pendant une durée prolongée. L'air chaud qui entre dans le réfrigérateur le fait fonctionner pendant de plus longues périodes. Ouvrez les portes moins souvent.
- La porte du réfrigérateur ou du congélateur ont peut être été laissées entrouvertes. Vérifiez que les portes sont bien fermées.
- Le réfrigérateur est réglé à une température très basse. Réglez la température du réfrigérateur à un degré supérieur et attendez jusqu'à ce que la température soit bonne.
- Le joint de la porte du réfrigérateur ou du congélateur peut être sale, déchiré, rompu ou mal en place. Nettoyez ou remplacez le joint. Tout joint endommagé/déchiré fait fonctionner le réfrigérateur pendant une période de temps plus longue afin de conserver la température actuelle.

La température du congélateur est très basse alors que celle du réfrigérateur est correcte.

- La température du congélateur est réglée à une température très basse. Réglez la température du congélateur à un degré supérieur et vérifiez.

La température du réfrigérateur est très basse alors que celle du congélateur est correcte.

- Il se peut que la température du réfrigérateur a réglée à une température très basse. Réglez la température du réfrigérateur à un degré supérieur et vérifiez.

Les aliments conservés dans les tiroirs du compartiment de réfrigération congèlent.

- Il se peut que la température du réfrigérateur a réglée à une température très basse. Réglez la température du réfrigérateur à un degré supérieur et vérifiez.

La température dans le réfrigérateur ou le congélateur est très élevée.

- La température du réfrigérateur a peut être été réglée à un degré très élevé. Le réglage du réfrigérateur a un effet sur la température du congélateur. Modifiez la température du réfrigérateur ou du congélateur jusqu'à ce qu'elles atteignent un niveau correct.
- Les portes ont peut être été ouvertes fréquemment ou laissées entrouvertes pendant une durée prolongée; ouvrez-les moins fréquemment.
- La porte est peut être restée ouverte; refermez complètement la porte.
- D'importantes quantités de aliments chaudes ont peut être été introduites dans le réfrigérateur récemment. Attendez que le réfrigérateur ou le congélateur atteigne la bonne température.
- Le réfrigérateur y a peut être été branché récemment. Le refroidissement complet du réfrigérateur nécessite du temps.

Le niveau sonore augmente lorsque le réfrigérateur est en marche.

- Les caractéristiques de performance du réfrigérateur peuvent changer en raison des variations de la température ambiante. Cela est normal et n'est pas un défaut.

Vibrations ou bruits.

- Le sol n'est pas plat ou n'est pas solide. Le réfrigérateur oscille lorsqu'on le bouge lentement. Assurez-vous que le sol est plat et suffisamment solide pour supporter le réfrigérateur.
- Les bruits peuvent être produits par les objets placés sur le réfrigérateur. Enlevez tout ce qu'il y a au-dessus du réfrigérateur.

Le réfrigérateur produit des bruits semblables à de l'eau qui coule ou à la pulvérisation d'un liquide.

- Des écoulements de gaz et de liquides se produisent dans le réfrigérateur, de par ses principes de fonctionnement. Cela est normal et n'est pas un défaut.

Le réfrigérateur produit des bruits semblables à du vent.

- Les ventilateurs sont utilisés pour refroidir le réfrigérateur. Cela est normal et n'est pas un défaut.

Condensation sur les parois intérieures du réfrigérateur.

- Un temps chaud et humide augmente la formation de givre et de condensation. Cela est normal et n'est pas un défaut.
- La porte est peut être restée ouverte; assurez-vous que les portes sont complètement fermées.
- Les portes ont peut être été ouvertes fréquemment ou laissées entrouvertes pendant une durée prolongée; ouvrez-les moins fréquemment.

De l'humidité est présente à l'extérieur ou entre les portes du réfrigérateur.

- Il y a peut être de l'humidité dans l'air; ceci est tout à fait normal par un temps humide. Lorsque l'humidité est faible, la condensation disparaîtra.

Présence d'une mauvaise odeur dans le réfrigérateur.

- L'intérieur du réfrigérateur doit être nettoyé. Nettoyez l'intérieur du réfrigérateur avec une éponge, de l'eau tiède ou de l'eau gazeuse.
- Certains récipients ou matériaux d'emballage peuvent provoquer ces odeurs. Utilisez un autre récipient ou changez de marque de matériau d'emballage.

La porte ne se ferme pas.

- Des récipients peuvent empêcher la fermeture de la porte. Remplacez les emballages qui obstruent la porte.
- Le réfrigérateur n'est pas complètement vertical et peut balancer lorsqu'on le bouge légèrement. Réglez les vis de levage.
- Le sol n'est pas plat ou solide. Assurez-vous que le sol est plat et qu'il peut supporter le réfrigérateur.

Les bacs à légumes sont coincés.

- Il se peut que les aliments touchent le plafond du tiroir. Disposez à nouveau les aliments dans le tiroir.

Bitte lesen Sie zuerst diese Anleitung!

Lieber Kunde,

Wir sind sicher, dass Ihnen dieses Produkt, das in modernsten Fertigungsstätten hergestellt und den strengsten Qualitätsprüfungen unterzogen wurde, lange Zeit gute Dienste leisten wird.

Wir empfehlen Ihnen, vor Inbetriebnahme des Gerätes das gesamte Handbuch durchzulesen und es anschließend aufzubewahren.

Diese Anleitung...

- Hilft Ihnen, Ihr Gerät schnell und sicher zu bedienen.
- Lesen Sie die Anleitung, bevor Sie Ihr Gerät aufstellen und bedienen.
- Halten Sie sich an die Anweisungen, beachten Sie insbesondere die Sicherheitshinweise.
- Bewahren Sie die Anleitung an einem leicht zugänglichen Ort auf, damit Sie jederzeit darin nachschlagen können.
- Lesen Sie auch die weiteren Dokumente, die mit Ihrem Produkt geliefert wurden.
- Bitte beachten Sie, dass diese Anleitung eventuell auch für andere Geräte eingesetzt werden kann.

Symbole und ihre Bedeutung

In dieser Anleitung finden Sie die folgenden Symbole:

- 📘 Wichtige Informationen oder nützliche Tipps.
- ⚠️ Warnung vor Verletzungen oder Sachschäden.
- ⚡ Warnung vor elektrischem Strom.



WARNUNG!

Ihr Gerät verwendet ein umweltverträgliches Kältemittel, R600a (nur unter bestimmten Umständen brennbar). Um einen einwandfreien Betrieb Ihres Gerätes sicherzustellen, beachten Sie bitte folgende Vorschriften:

- Die Luftzirkulation um das Gerät darf nicht behindert sein.
- Verwenden Sie außer der vom Hersteller empfohlenen, keine mechanischen Hilfsmittel, um den Abtauprozess zu beschleunigen.
- Der Kältemittelkreislauf darf nicht beschädigt werden.
- Verwenden Sie im Lebensmittelaufbewahrungsbereich Ihres Gerätes keine elektrischen Geräte, es sei denn, sie sind vom Hersteller empfohlen.



ANGABEN



ENERGY



SUPPLIER'S NAME

MODEL IDENTIFIER (*)

A

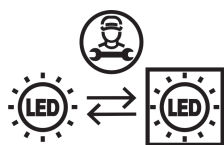
A

Die Modellinformationen, wie sie in der Produktdatenbank gespeichert sind, können durch Eingabe der folgenden Webseite und Suche nach Ihrer Modellkennung (*) auf dem Energieetikett erreicht werden.

<https://eprel.ec.europa.eu/>

INHALT

1 Ihr Kühlschrank	3	4 Vorbereitung	9
		Türanschlag umkehren.....	10
2 Wichtige Hinweise zu Ihrer Sicherheit	4	5 Gerät bedienen	11
Bestimmungsgemäßer Gebrauch	4	Anzeigefeld	11
Allgemeine Hinweise zu Ihrer Sicherheit	4	VitaminCare+	12
Kinder – Sicherheit	6	Abtauen.....	12
Einhaltung der RoHS-Richtlinie	6	Der Milchbehälter (Kühlagerung)	12
HCA-Warnung.....	6		
Tipps zum Energiesparen	6	6 Wartung und Reinigung	13
		Schutz der Kunststoffflächen.....	13
3 Installation	7	7 Empfehlungen zur Problemlösung	14
Was Sie bei einem weiteren Transport Ihres Kühlschranks beachten müssen....	7		
Bevor Sie Ihren Kühlschrank einschalten	7		
Elektrischer Anschluss.....	7		
Verpackungsmaterialien entsorgen	8		
Altgeräte entsorgen	8		
Aufstellung und Installation	8		
Austausch der Innenbeleuchtung	8		



Dieses Produkt ist mit einer Lichtquelle der Energieklasse „G“ ausgestattet. Die Lichtquelle in diesem Produkt darf nur von professionellen Reparaturtechnikern ersetzt werden.

Recycling

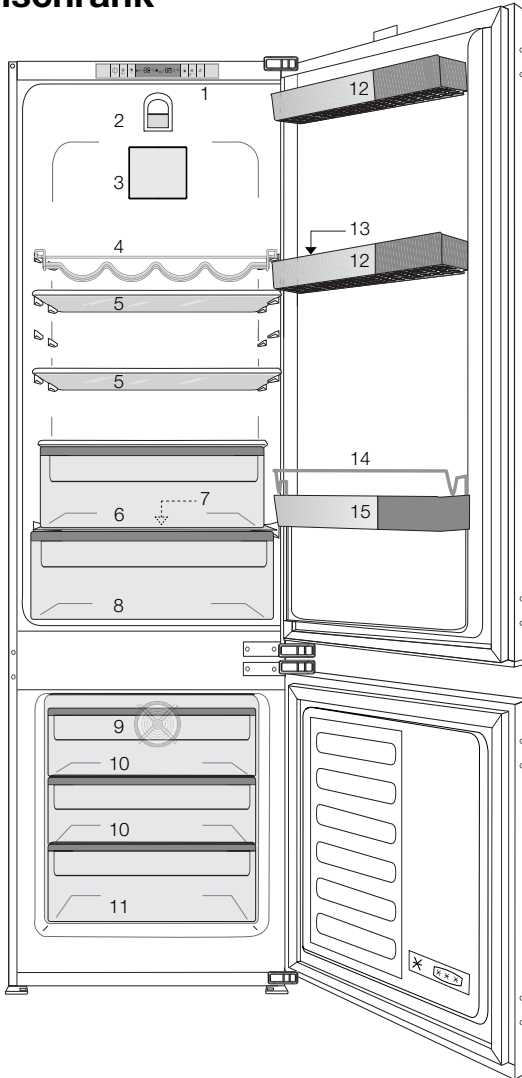


Dieses Produkt ist mit dem selektiven Entsorgungssymbol für elektrische und elektronische Altgeräte (WEEE) gekennzeichnet.

Das bedeutet, dass dieses Produkt gemäß der europäischen Richtlinie 2012/19/EU gehandhabt werden muss, um mit nur minimalen umweltspezifischen Auswirkungen recycelt oder zerlegt werden zu können. Weitere Informationen erhalten Sie von Ihren regionalen Behörden.

Elektronikprodukte, die nicht durch den selektiven Entsorgungsvorgang erfasst werden, stellen durch das Vorhandensein potenziell gefährlicher Substanzen umwelt- und gesundheitsrelevante Risiken dar.

1. Ihr Kühlschrank



- | | |
|---------------------------------------|-----------------------------|
| 1. Bedienungskonsole | 9. Gefrierschrank Fan |
| 2. Lampengehäuse | 10. Schnellgefrierfach |
| 3. Frische Lebensmittel Lüfter | 11. Gefrierfach Schubladen |
| 4. Weinregal | 12. Verstellbare Türablagen |
| 5. Bewegbare Regale | 13. Eierhalter |
| 6. Milchbehälter | 14. Chrom-Reling |
| 7. Tauwassersammelkanal - Abflussrohr | 15. Flaschenfach |
| 8. Gemüselade | |

i Abbildungen und Angaben in dieser Anleitung sind schematisch und können etwas von Ihrem Produkt abweichen. Wenn die Teile nicht im gekauften Produkt enthalten sind, gelten sie für andere Modelle.

2. Wichtige Hinweise zu Ihrer Sicherheit

Bitte lesen Sie die folgenden Hinweise aufmerksam durch. Bei Nichtbeachtung kann es zu Verletzungen und Sachschäden kommen. In diesem Fall erlöschen auch sämtliche Garantie- und sonstigen Ansprüche.

Originalersatzteile stehen für einen Zeitraum von 10 Jahren ab Kaufdatum zur Verfügung.

Bestimmungsgemäßer Gebrauch

Dieses Produkt ist für folgende Einsatzzwecke vorgesehen:

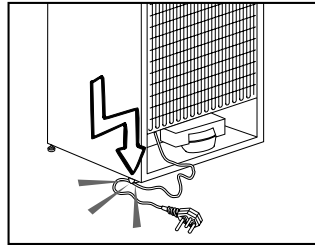
- Nutzung in Innenräumen; beispielsweise im Privathaushalt
- Das Gerät sollte nicht im Freien benutzt werden.

Allgemeine Hinweise zu Ihrer Sicherheit

- Wenn Sie das Gerät entsorgen möchten, wenden Sie sich am besten an den autorisierten Kundendienst. Hier erhalten Sie notwendige Informationen und erfahren, welche Stellen für die Entsorgung zuständig sind.
- Bei Problemen und Fragen zum Gerät wenden Sie sich grundsätzlich an den autorisierten Kundendienst. Ziehen Sie keine Dritten zu Rate, versuchen Sie nichts in Eigenregie, ohne den autorisierten Kundendienst davon in Kenntnis zu setzen.
- Bei Geräten mit Tiefkühlbereich: Der Verzehr von Speiseeis und Eiswürfeln unmittelbar nach der Entnahme aus dem Tiefkühlbereich ist nicht ratsam. (Dies kann zu Erfrierungen führen.)
- Bei Geräten mit Tiefkühlbereich: Bewahren Sie Getränke in Flaschen sowie Dosen niemals in Tiefkühlbereich auf. Diese platzen.
- Berühren Sie gefrorene Lebensmittel nicht mit der Hand; sie können festfrieren.
- Ziehen Sie den Netzstecker, bevor Sie den Kühlschrank reinigen oder abtauen.
- Verwenden Sie niemals Dampf- oder Sprühreiniger zum Reinigen oder Abtauen Ihres Kühlschranks. Die Dämpfe oder Nebel können in Kontakt mit stromführenden Teilen geraten und Kurzschlüsse oder Stromschläge auslösen.
- Missbrauchen Sie niemals Teile Ihres Kühlschranks (z. B. Tür) als Befestigungen oder Kletterhilfen.
- Nutzen Sie keine elektrischen Geräte innerhalb des Kühlschranks.
- Achten Sie darauf, den Kühlkreislauf keinesfalls mit Bohr- oder Schneidwerkzeugen zu beschädigen. Das Kühlmittel kann herausspritzen, wenn die Gaskanäle des Verdunsters, Rohr- und Schlauchleitungen oder Oberflächenversiegelungen beschädigt werden. Dies kann zu Hautreizungen und Augenverletzungen führen.
- Decken Sie keinerlei Belüftungsöffnungen des Kühlschranks ab.
- Elektrogeräte dürfen nur von autorisierten Fachkräften repariert werden. Reparaturen durch weniger kompetente Personen können erhebliche Gefährdungen des Anwenders verursachen.
- Sollten Fehler oder Probleme während der Wartung oder Reparaturarbeiten auftreten, so trennen Sie den Kühlschrank von der Stromversorgung, indem Sie die entsprechende Sicherung abschalten oder den Netzstecker ziehen.
- Ziehen Sie niemals am Netzkabel – fassen Sie stets den Stecker selbst.
- Lagern Sie hochprozentige alkoholische Getränke gut verschlossen und aufrecht.

- Lagern Sie niemals Behälter mit brennbaren Gasen (z. B. Spraydosen) oder explosive Dinge im Kühlschrank.
- Nutzen Sie keine mechanischen oder andere Hilfsmittel, um das Gerät abzutauen – es sei denn, solche Hilfsmittel werden ausdrücklich vom Hersteller empfohlen.
- Dieses Gerät darf nicht von Personen (einschließlich Kindern) benutzt werden, die unter körperlichen oder geistigen Einschränkungen leiden oder denen es an der nötigen Erfahrung im Umgang mit solchen Geräten mangelt. Eine Ausnahme kann gemacht werden, wenn solche Personen ständig beaufsichtigt werden und/oder gründlich in der Verwendung des Gerätes unterwiesen wurden.
- Nehmen Sie einen beschädigten Kühlschrank nicht in Betrieb. Wenden Sie sich im Zweifelsfall unbedingt zuerst an den Kundendienst.
- Die elektrische Sicherheit des Gerätes ist nur dann gewährleistet, wenn das hausinterne Erdungssystem den zutreffenden Normen entspricht.
- Setzen Sie das Gerät keinem Regen, Schnee, direktem Sonnenlicht oder Wind aus, da dies die elektrische Sicherheit gefährden kann.
- Damit es nicht zu Gefährdungen kommt, lassen Sie beschädigte Netzkabel unverzüglich vom Kundendienst austauschen.
- Stecken Sie während der Installation niemals den Netzstecker ein. Andernfalls kann es zu schweren bis tödlichen Verletzungen kommen.
- Der Kühlschrank darf nur zum Lagern von Lebensmitteln, keinesfalls für andere Zwecke verwendet werden.
- Das Typenschild mit technischen Daten befindet sich an der linken Innenwand des Kühlschranks.
- Schließen Sie den Kühlschrank niemals an Energiesparsysteme an; andernfalls kann es zu Beschädigungen kommen.

- Bei Geräten mit blauer Innenbeleuchtung: Schauen Sie niemals mit optischen Hilfsmitteln in das blaue Licht.
- Bei manuell gesteuerten Kühlschränken warten Sie nach Stromausfällen mindestens 5 Minuten ab, bevor Sie das Gerät neu starten.
- Falls Sie das Gerät an einen anderen Besitzer weitergeben, vergessen Sie nicht, die Bedienungsanleitung ebenfalls weiterzugeben.
- Achten Sie beim Transportieren des Kühlschranks darauf, dass das Netzkabel nicht beschädigt wird. Geknickte Kabel können sich entzünden. Stellen Sie niemals schwere Gegenstände auf dem Netzkabel ab.



- Berühren Sie den Netzstecker niemals mit feuchten oder gar nassen Händen.
- Stecken Sie den Netzstecker niemals in lose Steckdosen ein.
- Sprühen Sie aus Sicherheitsgründen niemals direkt Wasser auf die Innen- und Außenflächen des Gerätes.
- Nutzen Sie niemals leicht entzündliche Substanzen (z. B. Propangas) in der Nähe des Kühlschranks; es besteht Brand- und Explosionsgefahr.
- Stellen Sie niemals mit Wasser oder anderen Flüssigkeiten gefüllte Gefäße auf dem Kühlschrank ab; es besteht Brand- und Stromschlaggefahr.
- Überladen Sie den Kühlschrank nicht mit übermäßig vielen Lebensmitteln. Bei Überladung können Lebensmittel beim Öffnen der Tür herausfallen, Sachschäden und Verletzungen verursachen. Stellen Sie niemals Gegenstände auf dem Kühlschrank ab; solche Gegenstände können beim Öffnen und Schließen der Kühlschranktür herabfallen.

- Materialien, die bei exakt festgelegten Temperaturen gelagert werden müssen (beispielsweise Impfstoffe, wärmeempfindliche Arznei, wissenschaftliche Proben, usw.) sollten nicht im Kühlschrank gelagert werden.
- Ziehen Sie den Netzstecker, wenn Sie den Kühlschrank längere Zeit nicht nutzen. Andernfalls können Brände durch defekte Netzkabel nicht gänzlich ausgeschlossen werden.
- Die Kontakte des Netzsteckers sollten regelmäßig gereinigt werden; andernfalls besteht Brandgefahr.
- Die Steckerkontakte sollten regelmäßig gereinigt werden; andernfalls besteht Brandgefahr.
- Der Kühlschrank kann sich bewegen, falls die Füße nicht richtig auf dem Boden aufliegen. Stellen Sie die verstellbaren Füße so ein, dass der Kühlschrank absolut stabil steht und sich somit nicht bewegen kann.
- Tragen Sie den Kühlschrank nicht am Türgriff; der Griff kann abbrechen.
- Wenn Sie das Gerät neben einem anderen Kühlgerät aufstellen, achten Sie darauf, dass zwischen den Geräten mindestens 8 cm Platz verbleiben. Andernfalls kann sich Feuchtigkeit an den Seitenwänden niederschlagen.

Kinder – Sicherheit

- Bei abschließbaren Türen bewahren Sie den Schlüssel außerhalb der Reichweite von Kindern auf.
- Kinder müssen stets beaufsichtigt werden, damit sie nicht mit dem Gerät spielen.

Einhaltung der RoHS-Richtlinie

- Das von Ihnen gekaufte Gerät entspricht der RoHS-Richtlinie der EU (2011/65/EU). Es enthält keinerlei Materialien, die gemäß der Richtlinie als schädlich oder verboten gelten.

HCA-Warnung

Falls Ihr Gerät mit dem Kühlmittel R600a arbeitet:

Dieses Gas ist leicht entflammbar.

Achten Sie also darauf, Kühlkreislauf und Leitungen während Betrieb und Transport nicht zu beschädigen.

Bei Beschädigungen halten Sie das Produkt von potenziellen Zündquellen (z. B. offenen Flammen) fern und sorgen für eine gute Belüftung des Raumes, in dem das Gerät aufgestellt wurde.

Diese Warnung können Sie ignorieren, wenn Ihr Gerät mit dem Kühlmittel R134a arbeitet.

Das verwendete Kühlmittel wird auf dem Typenschild an der linken Innenseite des Kühlschranks angegeben. Entsorgen Sie das Gerät niemals durch Verbrennen.

Tipps zum Energiesparen

- Halten Sie die Kühlschranktüren nur möglichst kurz geöffnet.
- Lagern Sie keine warmen Speisen oder Getränke im Kühlschrank ein.
- Überladen Sie den Kühlschrank nicht; die Luft muss frei zirkulieren können.
- Stellen Sie den Kühlschrank nicht im direkten Sonnenlicht oder in der Nähe von Wärmequellen wie Öfen, Spülmaschinen oder Heizkörpern auf.
- Achten Sie darauf, Ihre Lebensmittel in verschlossenen Behältern aufzubewahren.
- Bei Geräten mit Tiefkühlbereich: Sie können noch mehr Lebensmittel einlagern, wenn Sie die Ablagen oder Schubladen aus dem Tiefkühlbereich herausnehmen.
Die Energieverbrauchswerte Ihres Kühlschranks wurden bei maximaler Beladung mit herausgenommenen Ablagen oder Schubladen ermittelt. Ansonsten ist es Ihnen natürlich freigestellt, die Ablagen oder Schubladen zu verwenden.
- Wenn Sie gefrorene Lebensmittel im Kühlbereich auftauen, sparen Sie Energie und bewahren die Qualität der Lebensmittel.

3. Installation

⚠ Bitte beachten Sie, dass der Hersteller nicht haftet, wenn Sie sich nicht an die Informationen und Anweisungen der Bedienungsanleitung halten.

Was Sie bei einem weiteren Transport Ihres Kühlschranks beachten müssen

1. Der Kühlschrank muss vor dem Transport geleert und gesäubert werden.
2. Befestigen und sichern Sie Ablagen, Zubehör, Gemüsefach etc. mit Klebeband, bevor Sie das Gerät neu verpacken.
3. Die Verpackung muss mit kräftigem Klebeband und stabilen Seilen gesichert, die auf der Verpackung aufgedruckten Transporthinweise müssen beachtet werden.

Vergessen Sie nicht...

Jeder wiederverwendete Artikel stellt eine unverzichtbare Hilfe für unsere Natur und unsere Ressourcen dar. Wenn Sie zur Wiederverwertung von Verpackungsmaterialien beitragen möchten, können Sie sich bei Umweltschutzvereinigungen und Ihren Behörden vor Ort informieren.

Bevor Sie Ihren Kühlschrank einschalten

Bevor Sie Ihren Kühlschrank in Betrieb nehmen, beachten Sie bitte Folgendes:

1. Ist der Innenraum des Kühlschranks trocken, kann die Luft frei an der Rückseite zirkulieren?

2. Reinigen Sie das Innere des Kühlschranks wie im Abschnitt „Wartung und Reinigung“ beschrieben.
3. Stecken Sie den Netzstecker des Kühlschranks in eine Steckdose. Wenn die Kühlbereichstür geöffnet wird, schaltet sich das Licht im Inneren ein.
4. Sie hören ein Geräusch, wenn sich der Kompressor einschaltet. Die Flüssigkeiten und Gase im Kühlsystem können auch leichte Geräusche erzeugen, wenn der Kompressor nicht läuft. Dies ist völlig normal.
5. Die Vorderkanten des Kühlgerätes können sich warm anfühlen. Dies ist normal. Diese Bereiche wärmen sich etwas auf, damit sich kein Kondenswasser bildet.

Elektrischer Anschluss

Schließen Sie das Gerät an eine geerdete (Schuko-) Steckdose an. Diese Steckdose muss mit einer passenden Sicherung abgesichert werden.

Wichtig:

- Der Anschluss muss gemäß lokaler Vorschriften erfolgen.
- Der Netzstecker muss nach der Installation frei zugänglich bleiben.
- Die angegebene Spannung muss mit Ihrer Netzspannung übereinstimmen.
- **Zum Anschluss dürfen keine Verlängerungskabel oder Mehrfachsteckdosen verwendet werden.**

- ⚠ Ein beschädigtes Netzkabel muss unverzüglich durch einen qualifizierten Elektriker ausgetauscht werden.
- ⚠ Das Gerät darf vor Abschluss der Reparaturen nicht mehr betrieben werden! Es besteht Stromschlaggefahr!

Verpackungsmaterialien entsorgen

Das Verpackungsmaterial kann eine Gefahr für Kinder darstellen. Halten Sie Verpackungsmaterialien von Kindern fern oder entsorgen Sie das Verpackungsmaterial gemäß den gültigen Entsorgungsbestimmungen. Entsorgen Sie Verpackungsmaterialien nicht mit dem regulären Hausmüll. Die Verpackung Ihres Gerätes wurde aus recyclingfähigen Materialien hergestellt.

Altgeräte entsorgen

Entsorgen Sie Altgeräte auf umweltfreundliche Weise.

- Bei Fragen zur richtigen Entsorgung wenden Sie sich bitte an Ihren Händler, an eine Sammelstelle oder an Ihre Stadtverwaltung.

Bevor Sie das Gerät entsorgen, schneiden Sie den Netzstecker ab und machen die Türverschlüsse (sofern vorhanden) unbrauchbar, damit Kinder nicht in Gefahr gebracht werden.

Aufstellung und Installation

⚠ Falls die Tür des Raumes, in dem der Kühlschrank aufgestellt werden soll, nicht breit genug ist, wenden Sie sich an den autorisierten Kundendienst, lassen die Kühlschranktüren demontieren und befördern das Gerät seitlich durch die Tür.

1. Stellen Sie Ihren Kühlschrank an einer gut erreichbaren Stelle auf.
2. Platzieren Sie den Kühlschrank nicht in der Nähe von Wärmequellen oder dort, wo er Feuchtigkeit oder direktem Sonnenlicht ausgesetzt ist.
3. Damit das Gerät richtig arbeiten kann, müssen Sie ausreichend Platz um das Gerät herum freilassen, damit eine ordentliche Belüftung gewährleistet ist. Wenn Sie den Kühlschrank in einer Nische aufstellen, müssen Sie einen Abstand von mindestens 5 cm zur Decke und 5 cm zu den Wänden einhalten. Wenn Sie das Gerät auf einem Teppich oder Teppichboden aufstellen, müssen Sie einen Abstand von mindestens 2,5 cm zum Boden einhalten.
4. Stellen Sie Ihren Kühlschrank auf einem ebenen Untergrund auf, damit er nicht wackelt.
5. Stellen Sie den Kühlschrank nicht an Stellen auf, an denen Temperaturen von weniger als 10°C herrschen.

Austausch der Innenbeleuchtung

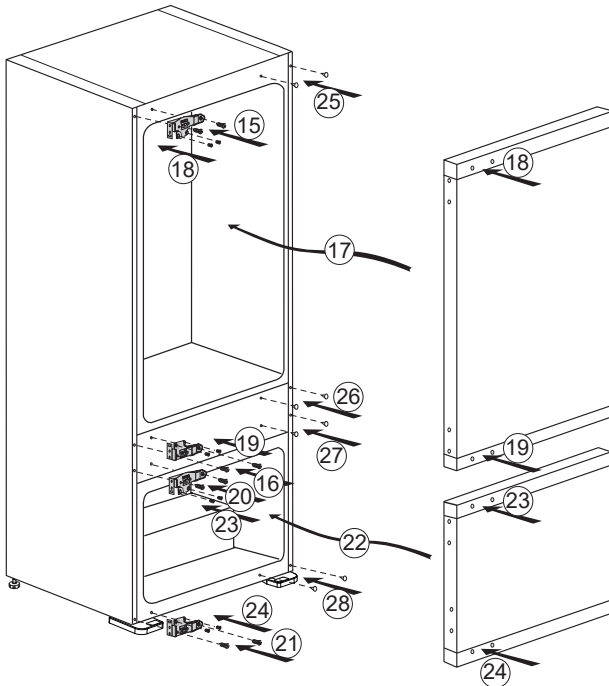
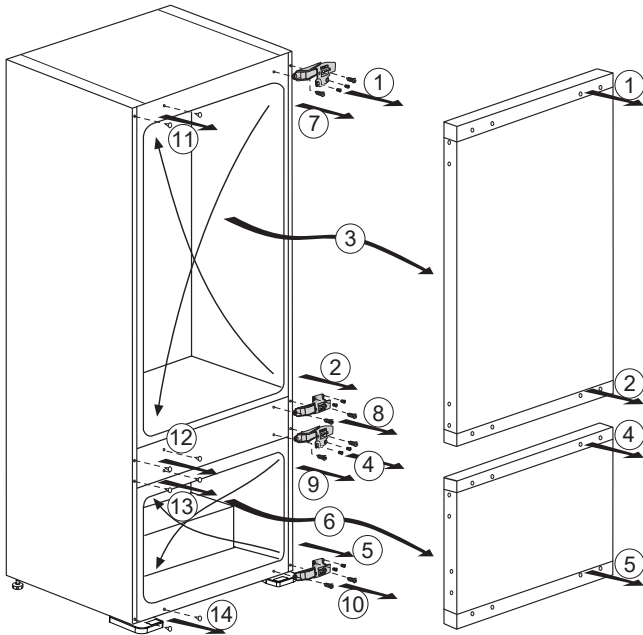
Die Innenbeleuchtung Ihres Kühlschranks sollte ausschließlich vom autorisierten Kundendienst ausgetauscht werden. Die Glühbirnen für dieses Haushaltsgerät sind für Beleuchtungszwecke nicht geeignet. Die beabsichtigte Aufgabe dieser Lampe ist es den Benutzer zu ermöglichen die Plazierung der Lebensmittel in den Kühlschrank / Eiskühltruhe sicher und bequem vorzunehmen. Die in diesem Gerät verwendeten Lampen müssen extremen physikalischen Bedingungen, wie z. B. Temperaturen von -20°C, standhalten.

4. Vorbereitung

- i** Ihr Kühlschrank sollte mindestens 30 cm von Hitzequellen wie Kochstellen, Öfen, Heizungen, Herden und ähnlichen Einrichtungen aufgestellt werden. Halten Sie mindestens 5 cm Abstand zu Elektroöfen ein, vermeiden Sie die Aufstellung im direkten Sonnenlicht.
- i** Die Zimmertemperatur des Raumes, in dem der Kühlschrank aufgestellt wird, sollte mindestens 10°C betragen. Im Hinblick auf den Wirkungsgrad ist der Betrieb des Kühlschranks bei geringerer Umgebungstemperatur nicht ratsam.
- i** Sorgen Sie dafür, dass das Innere Ihres Kühlschranks gründlich gereinigt wird.
- i** Falls zwei Kühlschränke nebeneinander platziert werden sollen, achten Sie darauf, dass sie mindestens 2 cm voneinander entfernt aufgestellt werden.
- i** Wenn Sie den Kühlschrank zum ersten Mal in Betrieb nehmen, halten Sie sich bitte an die folgenden Anweisungen für die ersten sechs Betriebsstunden.
 - Die Kühlschranktür sollte nicht zu häufig geöffnet werden.
 - Der Kühlschrank muss zunächst vollständig leer arbeiten.
 - Ziehen Sie nicht den Netzstecker.Falls der Strom ausfallen sollte, beachten Sie die Warnhinweise im Abschnitt „**Empfehlungen zur Problemlösung**“.
- i** Originalverpackung und Schaumstoffmaterialien sollten zum zukünftigen Transport des Gerätes aufbewahrt werden.

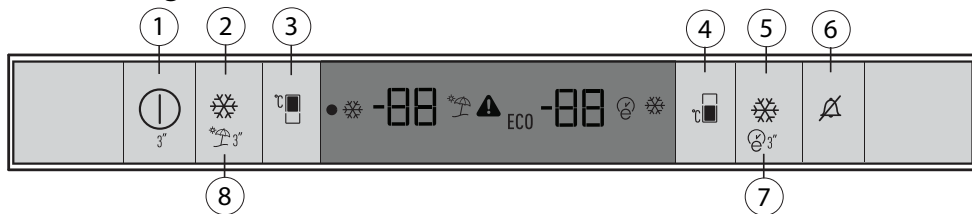
Türanschlag umkehren

Gehen Sie der Reihe nach vor.



5. Gerät bedienen

Anzeigefeld



1. Ein/Aus-Anzeige

Drücken Sie die Ein-/Austaste zum Ein- oder Ausschalten des Kühlschranks 3 Sekunden. Wenn der Kühlschrank ausgeschaltet ist, leuchtet das Symbol (●). Alle anderen Symbole sind erloschen.

2. Schnellkühlen

Diese Taste (❄️) erfüllt zwei Funktionen. Zum Ein- und Ausschalten der Schnellkühlfunktion drücken Sie die Taste einmal kurz. Die Schnellkühlenanzeige erlischt, die normalen Einstellungen werden wiederhergestellt.

Die Schnellkühlfunktion nutzen Sie, wenn Sie Lebensmittel im Kühlbereich besonders schnell abkühlen möchten. Wenn Sie große Mengen frischer Lebensmittel kühlen möchten, sollten Sie diese Funktion vor dem Einlagern der Lebensmittel einschalten.

Sofern Sie diese Funktion nicht vorzeitig abschalten, wird das Schnellkühlen beendet, sobald die nötige Temperatur erreicht ist, spätestens jedoch nach 1 Stunde. Diese Funktion wird nach einem Stromausfall nicht automatisch wieder eingeschaltet.

3. Kühlbereichstemperatur-Einstelltaste

Durch mehrmaliges Drücken dieser Taste (📊) stellen Sie die Kühlbereichstemperatur auf -18°, -19°, -20°, -21°, -22°, -23°, 24°, -18°C, ... ein. Stellen Sie den Kühlbereich mit dieser Taste auf die gewünschte Temperatur ein.

4. Tiefkühlbereichstemperatur-Einstelltaste

Durch mehrmaliges Drücken dieser Taste (📊) stellen Sie die Tiefkühlbereichstemperatur auf -18°, -19°, -20°, -21°, -22°, -23°, 24°, -18°C, ... ein. Mit dieser Taste stellen Sie die gewünschte Temperatur des Tiefkühlbereiches ein.

5. Schnellgefrierfaste

Mit dieser Taste (❄️) schalten Sie die Schnellgefrierfunktion ein und aus. Wenn diese Funktion aktiv ist, wird der Tiefkühlbereich besonders stark (über die eingestellte Temperatur hinaus) gekühlt.

Die Schnellgefrierfunktion nutzen Sie, wenn Sie die Lebensmittel im Tiefkühlbereich besonders schnell gefrieren möchten. Wenn Sie große Mengen frischer Lebensmittel gefrieren möchten, sollten Sie diese Funktion vor dem Einlagern der Lebensmittel einschalten.

Sofern Sie diese Funktion nicht vorzeitig abschalten, wird das Schnellgefrieren beendet, sobald die nötige Temperatur erreicht ist, spätestens jedoch nach 25 Stunden. Diese Funktion wird nach einem Stromausfall nicht automatisch wieder eingeschaltet.

6. Alarm-aus-Warnung

Nach einem Stromausfall oder bei einem Temperaturalarm drücken Sie nach Befüllen des Tiefkühlbereichs mit Lebensmitteln die Alarm-aus-Taste (🔔) zum Aufheben der Warnung.

7. Öko-Fuzzy

Drücken und halten Sie die Öko-Fuzzy-Taste (🕒) zum Aktivieren der Öko-Fuzzy-Funktion 3 Sekunden. Spätestens sechs Stunden später arbeitet Ihr Kühlschrank besonders ökonomisch; die Energiesparanzeige leuchtet (🕒). Drücken und halten Sie die Öko-Fuzzy-Taste zum Deaktivieren der Öko-Fuzzy-Funktion 3 Sekunden. Diese Anzeige leuchtet nach 6 Stunden auf, wenn Öko-Fuzzy aktiv ist, sofern die Türen nicht geöffnet sind.

ECO Anzeige leuchtet auf, wenn die Temperatur des Tiefkühlbereiches auf -18°C eingestellt ist.

8. Urlaubsfunktion

Um die Urlaubsfunktion zu aktivieren, drücken Sie diese Taste (🌴) 3 Sekunden lang, so dass die Urlaubsfunktionsanzeige (🌴) aktiviert wird. Wenn die Urlaubsfunktion aktiv ist, erscheint „-“ in der Kühlbereichstemperaturanzeige; der Kühlbereich wird nun nicht mehr aktiv gekühlt. Wenn diese Funktion aktiv ist, sollten keine Lebensmittel im Kühlbereich aufbewahrt werden. Andere Bereiche werden entsprechend den eingestellten Temperaturen weiterhin gekühlt. Zum Aufheben dieser Funktion drücken Sie die **Urlaubsfunktionstaste** noch einmal.

VitaminCare+

Obst und Gemüse, im Gemüsefach gelagert werden, das mit der *VitaminCare+ technologie* beleuchtet wird, bewahren ihren Vitamingehalt länger dank der blauen, grünen, roten Lichter und dunklen Zyklen, die einen Tageszyklus simulieren. *Mit dieser Technologie können Sie Ihr Obst und Gemüse länger schmackhaft und gesund halten, was Ihnen hilft, die Verschwendung von Lebensmitteln zu Hause zu minimieren.*

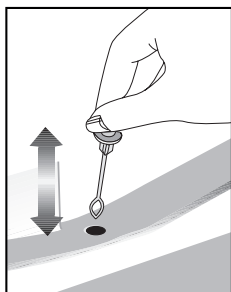
Wenn Sie die Tür des Kühlschranks während der Dunkelheitsphase der *VitaminCare+ technologie*, öffnen, erkennt der Kühlschrank dies automatisch und schaltet das blaue, grüne oder rote Licht ein, um das Gemüsefach für Sie zu beleuchten. Nachdem Sie die Kühlschranktür geschlossen haben, wird die Dunkelumlaufzeit fortgesetzt, was die Nachtzeit in einem Tageszyklus darstellt.

Abtauen

A) Kühlbereich

Der Kühlbereich taut vollautomatisch ab. Im Betrieb können sich Wassertropfen und eine 7 – 8 mm starke Eisschicht an der Innenwand des Kühlbereiches absetzen. Dies ist vollkommen normal und ein Nebeneffekt des Kühlungssystems. Dank des automatischen Abtausystems an der Rückwand wird das Eis in bestimmten Abständen automatisch abgetaut. Weder Eis noch Wassertropfen müssen manuell entfernt werden. Beim Abtauen läuft das Tauwasser in die Ablaufrinne und fließt anschließend zum Verdampfer - hier verdunstet das Wasser automatisch.

Überzeugen Sie sich regelmäßig davon, dass der Ablauf nicht verstopft ist; beseitigen Sie eventuelle Verstopfungen mit dem Stäbchen.

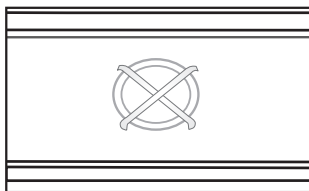


B) Gefrierfach

Der Tiefkühlbereich taut automatisch ab.

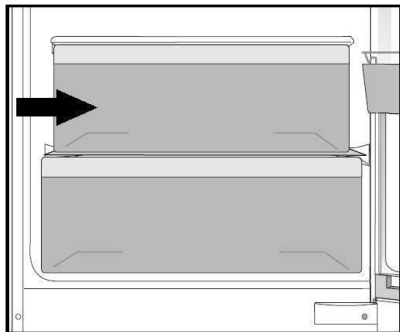
Warnung!

Der Lüfter sorgt für die Zirkulation kalter Luft innerhalb des Tiefkühlbereiches. Schieben Sie niemals irgendwelche Gegenstände durch die Schutzabdeckung. Lassen Sie nicht zu, dass Kinder mit dem Lüfter spielen. Lagern Sie niemals Behälter mit entflammbare Treibgasen (z. B. Sahnespender, Spraydosen, usw.) oder explosiven Stoffen. Decken Sie niemals Ablagen mit Folien oder ähnlichen Materialien ab; dies behindert die Luftzirkulation. Gestatten Sie Kindern nicht, mit dem Gerät oder den Bedienelementen zu spielen. Verhindern Sie ein Blockieren des Gefrierbereichlüfters und seiner Abdeckung, damit Ihr Gerät stets optimal arbeiten kann.



Der Milchbehälter (Kühlagerung)

Der Milchbehälter (Kühlagerung) sorgt für eine niedrigere Temperatur im Kühlschrankfach. Verwenden Sie diesen Behälter, um Delikatessen (Salami, Würstchen, Milchprodukte usw.) aufzubewahren, die eine niedrigere Lagertemperatur erfordern, oder Fleisch-, Hühner- oder Fischprodukte für den sofortigen Verzehr. Bewahren Sie kein Obst und Gemüse in diesem Behälter auf.



6. Wartung und Reinigung

- ⚠ Verwenden Sie zu Reinigungszwecken niemals Benzin oder ähnliche Substanzen.
- ⚠ Wir empfehlen, vor dem Reinigen den Netzstecker zu ziehen.
- ℹ Verwenden Sie zur Reinigung niemals scharfe Gegenstände, Seife, Haushaltsreiniger, Waschmittel oder Wachspolituren.
- ℹ Reinigen Sie das Gehäuse des Gerätes mit lauwarmem Wasser, wischen Sie die Flächen danach trocken.
- ⚠ Zur Reinigung des Innenraums verwenden Sie ein feuchtes Tuch, das Sie in eine Lösung aus 1 Teelöffel Natron und einem halben Liter Wasser getaucht und ausgewrungen haben. Nach dem Reinigen wischen Sie den Innenraum trocken.
- ⚠ Achten Sie darauf, dass kein Wasser in das Lampengehäuse oder andere elektrische Komponenten eindringt.
- ⚠ Wenn Ihr Kühlgerät längere Zeit nicht benutzt wird, ziehen Sie den Netzstecker, nehmen alle Lebensmittel heraus, reinigen das Gerät und lassen die Türe geöffnet.
- ℹ Kontrollieren Sie die Türdichtungen regelmäßig, um sicherzustellen, dass diese sauber und frei von Speiseresten sind.
- ℹ Zum Entfernen einer Türablage räumen Sie sämtliche Gegenständen aus der Ablage und schieben diese dann nach oben heraus.

Schutz der Kunststoffflächen

- ℹ Geben Sie keine Öle oder stark fetthaltige Speisen offen in Ihren Kühlschrank – dadurch können die Kunststoffflächen angegriffen werden. Sollten die Plastikoberflächen einmal mit Öl in Berührung kommen, so reinigen Sie die entsprechenden Stellen umgehend mit warmem Wasser.

EN

IT

FR

DE

7. Empfehlungen zur Problemlösung

Bitte arbeiten Sie diese Liste durch, bevor Sie den Kundendienst anrufen. Das kann Ihnen Zeit und Geld sparen. In der Liste finden Sie häufiger auftretende Probleme, die nicht auf Verarbeitungs- oder Materialfehler zurückzuführen sind. Nicht alle hier beschriebenen Funktionen sind bei jedem Modell verfügbar.

Der Kühlschrank arbeitet nicht.

- Ist der Kühlschrank richtig angeschlossen? Stecken Sie den Netzstecker in die Steckdose.
- Ist die entsprechende Haussicherung herausgesprungen oder durchgebrannt? Überprüfen Sie die Sicherung.

Kondensation an den Seitenwänden des Kühlbereiches. (Multizone, Kühlkontrolle und FlexiZone).

- Sehr geringe Umgebungstemperaturen. Häufiges Öffnen und Schließen der Tür. Sehr feuchte Umgebung. Offene Lagerung von feuchten Lebensmitteln. Tür nicht richtig geschlossen. Kühlere Thermostateinstellung wählen.
- Türen kürzer geöffnet halten oder seltener öffnen.
- Offene Behälter abdecken oder mit einem geeigneten Material einwickeln.
- Kondensation mit einem trockenen Tuch entfernen und überprüfen, ob diese erneut auftritt.

Der Kompressor läuft nicht.

- Eine Schutzschaltung stoppt den Kompressor bei kurzzeitigen Unterbrechungen der Stromversorgung und wenn das Gerät zu oft und schnell ein- und ausgeschaltet wird, da der Druck des Kühlmittels eine Weile lang ausgeglichen werden muss. Ihr Kühlschrank beginnt nach etwa sechs Minuten wieder zu arbeiten. Bitte wenden Sie sich an den Kundendienst, falls Ihr Kühlschrank nach Ablauf dieser Zeit nicht wieder zu arbeiten beginnt.
- Der Kühlschrank taut ab. Dies ist bei einem vollautomatisch abtauenden Kühlschrank völlig normal. Das Gerät taut von Zeit zu Zeit ab.
- Der Netzstecker ist nicht eingesteckt. Überprüfen Sie, ob das Gerät richtig angeschlossen ist.
- Stimmen die Temperatureinstellungen?
- Eventuell ist der Strom ausgefallen.

Der Kühlschrank arbeitet sehr intensiv oder über eine sehr lange Zeit.

- Ihr neues Gerät ist vielleicht etwas breiter als sein Vorgänger. Dies ist völlig normal. Große Kühlgeräte arbeiten oft längere Zeit.
- Die Umgebungstemperatur ist eventuell sehr hoch. Dies ist völlig normal.
- Das Kühlgerät wurde möglicherweise erst vor kurzem in Betrieb genommen oder mit Lebensmitteln gefüllt. Es kann einige Stunden länger dauern, bis der Kühlschrank seine Arbeitstemperatur erreicht hat.
- Kurz zuvor wurden größere Mengen warmer Speisen im Kühlschrank eingelagert. Heiße Speisen führen dazu, dass der Kühlschrank etwas länger arbeiten muss, bis die geeignete Temperatur zur sicheren Lagerung erreicht ist.
- Türen wurden häufig geöffnet oder längere Zeit nicht richtig geschlossen. Der Kühlschrank muss länger arbeiten, weil warme Luft in den Innenraum eingedrungen ist. Öffnen Sie die Türen möglichst selten.
- Die Tür des Kühl- oder Tiefkühlbereichs war nur angelehnt. Vergewissern Sie sich, dass die Türen richtig geschlossen wurden.
- Die Kühlschranktemperatur ist sehr niedrig eingestellt. Stellen Sie die Kühlschranktemperatur höher ein und warten Sie, bis die gewünschte Temperatur erreicht ist.
- Die Türdichtungen von Kühl- oder Gefrierbereich sind verschmutzt, verschlissen, beschädigt oder sitzen nicht richtig. Reinigen oder ersetzen Sie die Dichtung. Beschädigte oder defekte Dichtungen führen dazu, dass der Kühlschrank länger arbeiten muss, um die Temperatur halten zu können.

Die Temperatur im Tiefkühlbereich ist sehr niedrig, während die Temperatur im Kühlbereich normal ist.

- Die Tiefkühltemperatur ist sehr niedrig eingestellt. Stellen Sie die Gefrierfachtemperatur wärmer ein und prüfen Sie.

Die Temperatur im Kühlbereich ist sehr niedrig, während die Temperatur im Tiefkühlbereich normal ist.

- Die Kühltemperatur ist eventuell sehr niedrig eingestellt. Stellen Sie die Kühlbereichtemperatur wärmer ein und prüfen Sie.

Im Kühlbereich gelagerte Lebensmittel frieren ein.

- Die Kühltemperatur ist eventuell sehr niedrig eingestellt. Stellen Sie die Kühlbereichtemperatur wärmer ein und prüfen Sie.

Die Temperatur im Kühl- oder Tiefkühlbereich ist sehr hoch.

- Die Temperatur des Kühlbereichs ist eventuell sehr hoch eingestellt. Die Einstellung des Kühlbereichs beeinflusst die Temperatur im Tiefkühlbereich. Stellen Sie den Kühl- oder Tiefkühlbereich auf die gewünschte Temperatur ein.
- Türen wurden häufig geöffnet oder längere Zeit nicht richtig geschlossen; weniger häufig öffnen.
- Die Tür wurde eventuell nicht richtig geschlossen; Tür richtig schließen.
- Kurz zuvor wurden größere Mengen warmer Speisen im Kühlschrank eingelagert. Warten Sie, bis der Kühl- oder Tiefkühlbereich die gewünschte Temperatur erreicht.
- Der Kühlschrank war kurz zuvor von der Stromversorgung getrennt. Ihr Kühlschrank braucht einige Zeit, um sich auf die gewünschte Temperatur abzukühlen.

Das Betriebsgeräusch nimmt zu, wenn der Kühlschrank arbeitet.

- Das Leistungsverhalten des Kühlgerätes kann sich je nach Umgebungstemperatur ändern. Dies ist völlig normal und keine Fehlfunktion.

Vibrationen oder Betriebsgeräusche.

- Der Boden ist nicht eben oder nicht fest. Der Kühlschrank wackelt, wenn er etwas bewegt wird. Achten Sie darauf, dass der Boden eben ist und das Gewicht des Kühlschranks problemlos tragen kann.
- Das Geräusch kann durch auf dem Kühlschrank abgestellte Gegenstände entstehen. Nehmen Sie abgestellte Gegenstände vom Kühlschrank herunter.

Fließ- oder Spritzgeräusche sind zu hören.

- Aus technischen Gründen bewegen sich Flüssigkeiten und Gase innerhalb des Gerätes. Dies ist völlig normal und keine Fehlfunktion.

Windähnliche Geräusche sind zu hören.

- Zum gleichmäßigen Kühlen werden Ventilatoren eingesetzt. Dies ist völlig normal und keine Fehlfunktion.

Kondensation an den Kühlschrankinnenflächen.

- Bei heißen und feuchten Wetterlagen tritt verstärkt Eisbildung und Kondensation auf. Dies ist völlig normal und keine Fehlfunktion.
- Die Türen wurden eventuell nicht richtig geschlossen; Türen komplett schließen.
- Türen wurden häufig geöffnet oder längere Zeit nicht richtig geschlossen; weniger häufig öffnen.

Feuchtigkeit sammelt sich an der Außenseite des Kühlschranks oder an den Türen.

- Eventuell herrscht hohe Luftfeuchtigkeit; dies ist je nach Wetterlage völlig normal. Die Kondensation verschwindet, sobald die Feuchtigkeit abnimmt.

Unangenehmer Geruch im Kühlschrankinnenraum.

- Das Innere des Kühlschranks muss gereinigt werden. Reinigen Sie das Innere des Kühlschranks mit einem Schwamm, den Sie mit lauwarmem oder kohlenensäurehaltigem Wasser angefeuchtet haben.
- Bestimmte Behälter oder Verpackungsmaterialien verursachen den Geruch. Verwenden Sie andere Behälter oder Verpackungsmaterial einer anderen Marke.

Die Tür wurde nicht richtig geschlossen.

- Lebensmittelpackungen verhindern eventuell das Schließen der Tür. Entfernen Sie die Verpackungen, welche die Tür blockieren.
- Der Kühlschrank steht nicht mit sämtlichen Füßen fest auf dem Boden und schaukelt bei kleinen Bewegungen. Stellen Sie die Höheneinstellschrauben ein.
- Der Boden ist nicht eben oder nicht stabil genug. Achten Sie darauf, dass der Boden eben ist und das Gewicht des Kühlschranks problemlos tragen kann.

Das Gemüsefach klemmt.

- Die Lebensmittel berühren eventuell den oberen Teil der Schublade. Ordnen Sie die Lebensmittel in der Schublade anders an.

