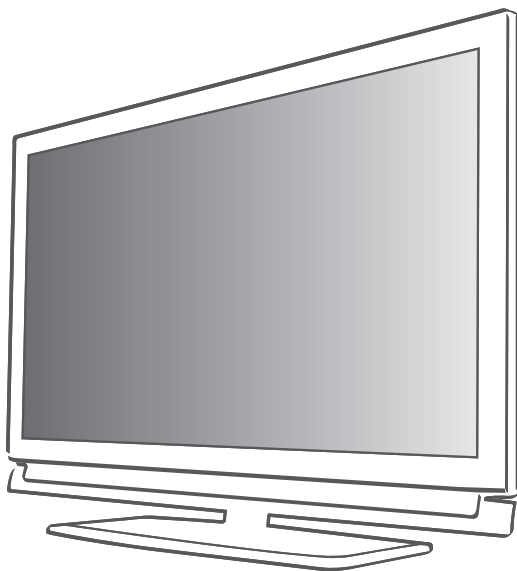


**LCD TV** with LED Backlight  
**32 VLE 5401 BG**



AUS GUTEM GRUND  
**GRUNDIG**

# CONTENTS

---

<b>4</b>	<b>SETUP AND SAFETY</b>	<b>28</b>	<b>USB OPERATION</b>
<b>6</b>	<b>GENERAL INFORMATION</b>	28	File formats
6	Special features of your TV	29	Connecting external data media
6	Receiving digital channels	29	Removing the external data media
6	Grundig SCR system	30	The file browser
7	Important notes on environmental protection	30	Settings in the USB setup menu
7	Notes on still images	31	Basic playback functions
<b>8</b>	<b>CONNECTION AND PREPARATION</b>	32	Additional playback functions
8	Connecting the antenna and the power adapter	<b>34</b>	<b>TELETEXT OPERATION</b>
9	Inserting batteries into the remote control	34	TOP text or FLOF text mode
<b>10</b>	<b>OVERVIEW</b>	34	Additional functions
10	Connections on the television set	<b>35</b>	<b>CONVENIENCE FUNCTIONS</b>
11	Controls on the television set	35	Opening the SETTINGS menu
12	The remote control - Main functions	35	Language settings
13	The remote control - All functions	36	Setting the date and time
<b>14</b>	<b>SETTINGS</b>	36	Timer functions
14	Initial set-up and tuning television channels	37	Parental control settings
14	Selecting language, country and operating mode	39	Updating software
15	Tuning the television channels from satellite (DVB-S/S2)	39	Restoring the television to the default settings
17	Tuning terrestrial television channels (DVB-T)	<b>40</b>	<b>OPERATION USING EXTERNAL DEVICES</b>
17	Tuning television channels from the cable provider (DVB-C)	40	DIGI LINK
18	Changing the program table for the digital channels	40	The DIGI LINK functions on your television
21	Picture settings	41	Device operation
22	Sound settings	42	High definition HD ready
<b>24</b>	<b>TELEVISION - OPERATION</b>	42	Connection options
24	Basic functions	43	Connecting external devices
25	Zoom function	44	Using a DVD player, DVD recorder, video recorder or set-top box
25	Eco mode	44	Headphones
26	Zapping function	45	Hi-fi system/AV receiver
26	Electronic TV guide	<b>46</b>	<b>OPERATION AS A PC MONITOR</b>
27	Changing the picture format	46	Connecting a PC
		46	Selecting presets for the PC
		46	Settings for PC mode
		<b>47</b>	<b>OPERATION WITH A COMMON INTERFACE</b>
		47	What is a Common Interface?
		47	Inserting the CA module
		47	Access control for CI module and smart card

# CONTENTS

---

## **48 SPECIAL SETTINGS**

- 48 Searching for digital television channels from a satellite automatically
- 49 Searching for digital television channels from a satellite manually
- 49 LNB settings
- 50 Settings for motorised antennas (DiSEqC 1.2)
- 53 Searching for digital terrestrial TV channels automatically
- 54 Searching for digital terrestrial TV channels manually
- 54 Tuning analogue television channels
- 56 Changing stored analogue channels
- 57 Displaying signal information

## **58 INFORMATION**

- 58 Product Fiche
- 58 Other information
- 59 Service information for dealers
- 59 Environmental note
- 59 Note for the Product Package
- 60 Troubleshooting

# SETUP AND SAFETY

---

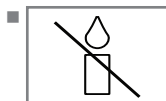
Please note the following instructions when setting up the television set:

- This television is designed to receive and display video and audio signals. All other uses are expressly prohibited.
- The ideal viewing distance is five times the diagonal screen size.
- Light falling on the screen impairs picture quality.
- To ensure the device is always adequately ventilated, make sure there is sufficient space between the television set and nearby furniture.
- The television is designed for use in dry rooms. If you do use it outdoors, make sure it is protected from moisture such as rain or splashing water. Never expose the television set to moisture.
- Do not place any vessels such as vases on the television, as they may spill liquid, thus presenting a safety risk.
- Place the television on a hard, level surface.
- Do not place any objects such as newspapers on the television or put cloth or similar items under it.
- Do not place the television close to heating units or in direct sunlight, as this will impair cooling.
- Heat build-up can be dangerous and shortens the service life of the television. For reasons of safety, have a repairman remove any dirt in the television from time to time.
- Never open the television under any circumstances. Warranty claims are excluded for damage resulting from improper handling.

- Make sure the power cord or the power supply unit (if provided) are not damaged.
- Only operate the television with the power supply/power cord provided.
- Thunderstorms are a danger to all electrical devices. Even when the television is switched off, it can be damaged by a lightning strike to the mains or the antenna. Always disconnect the mains and antenna plugs during a storm.
- Use a damp, soft cloth to clean the screen. Do not use water with soap or detergent.
- When deciding where to put the device, remember that furniture is often coated with various types of varnish and plastic. Many of these contain chemicals which can corrode the feet of the device, leaving marks on the surface of the furniture which can be difficult or impossible to remove.
- The screen of your LCD/LED television meets the highest quality standards and has been checked for pixel faults.

Despite the great care taken in manufacturing, technological reasons make it impossible to completely discount the possibility that some pixels may be faulty.

Provided they are within the thresholds specified by the DIN norm, pixel faults of this kind cannot be regarded as a defect as defined by the warranty.



To ensure fires do not occur, always keep candles and other open flames away from the device.

# SETUP AND SAFETY

---

- Do not connect any other equipment while the device is switched on. Also switch off other equipment before connecting it.
- Do not plug in the power cord of the device until you have connected the external equipment and the antenna.
- Make sure the mains plug is freely accessible.
- Keep the TV away from following devices as much as possible: cell phone, microwave and other devices that uses high frequency radio wave. Otherwise, TV may be malfunction due to radio wave interference.
- Do not expose the batteries to excessive heat such as direct sunlight, fire, etc.
- Do not use old and unused batteries together.
- Only replace the exhausted batteries with those having the same model, value and properties.
- By ensuring proper disposal of these batteries, you will have contributed in prevention of potential hazards on the environment and human health that may arise from inappropriate disposal of the batteries.
- This is a Class A product. During operation the device could cause radio interference. In this case the user may have to remedy this. Please contact your specialist dealer.

## **Caution:**

- If you plan on using a wall bracket for your television, make sure you read the assembly manual for the wall bracket or have a specialist assemble it.
- When purchasing the wall bracket, make sure that all the fastening points on the television are also on the wall bracket and that they are all used when mounting it.

## Special features of your TV

- You can receive and watch digital TV channels using your television set (via DVB-S/S2, DVB-T and DVB-C) – including High Definition programmes (HD). However, the reception of digital TV channels in HD is currently limited to a few countries in Europe.
- Although this television set complies with the current DVB-S/S2, DVB-T and DVB-C standards (status: August 2010), the compatibility with future DVB-S/S2 satellite transmissions as well as terrestrial DVB-T and DVB-C cable programmes cannot be guaranteed.
- Your television set can receive and process all analogue and non-encrypted digital TV channels. The television set is also equipped with digital and analogue receivers.
- The electronic TV guide (for digital channels only) informs you about any schedule changes at short notice, and provides an overview of all the broadcasters' schedules for the next few days. Detailed information on the individual television programmes are – when provided by the broadcasting station – are also available in the electronic TV guide.
- You can connect various data media, such as an external hard drive, a USB memory stick or a digital camera, to the USB socket. Using the file browser, you can then select and play the file formats of your choice (for example, MP4, MP3 or JPEG data).

## Receiving digital channels

- You require a satellite antenna to receive digital satellite channels (DVB-S/S2).
- You require a digital roof antenna or indoor antenna (passive or active indoor antenna with its own power supply) to receive digital television channels (DVB-T).
- If you wish to receive digital television channels via your cable system (DVB-C), the antenna cable for your cable operator must be connected to the television set.
- Unlike analogue broadcasting, not every channel has its own transmission frequency. Instead, several channels are grouped into what are known as bouquets on a regional or national level. You can find the current transmission information on teletext from various broadcasters, or by consulting a current TV guide or the Internet.
- Various digital television channels from private broadcasters are encrypted (DVB-S/S2, DVB-T and DVB-C). Watching these channels and the recording and playback functions are only possible with the appropriate CI module and a SmartCard. Ask your specialist dealer. The range of channels available from the public broadcasting institutions (ARD with EinsExtra, EinsFestival or ZDF with ZDF Info and all third party broadcasters) are not encrypted and can be received without a SmartCard.

## Grundig SCR system

- Your TV supports SCR system (Satellite Channel Router). If your antenna installation is equipped with an Single Cable Distribution multiswitch, all television sets which are connected on this antenna can receive the television channels stand-alone.

## Important notes on environmental protection

- The following information will help you to save resources – and money as well.
- If you are not using your television set for several days, you should pull out the mains plug for environmental and safety reasons. This way the television does not consume any electricity.
- If the device is equipped with a power switch, switching it off using this switch will be sufficient. The energy consumed by the television set is reduced to virtually 0 W.
- In standby mode, the television set uses very little energy. However, it may be necessary to leave the television set in standby mode for certain functions (for example automatic switch-on and switch-off and for timer functions).
- The television set uses less energy when the brightness is reduced.

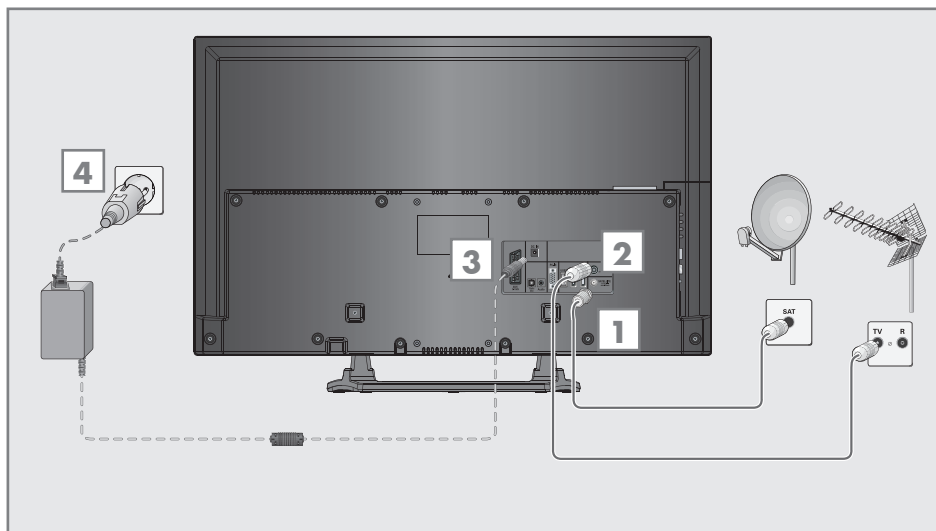
## Notes on still images

Watching the same image for a long time on the screen may cause a still image remains feebly on the background. Feeble image(s) on the background is originated from LCD/LED technology and does not require any action under guarantee. To avoid such cases and/or minimize the impact, you may observe the tips below.

- Do not allow the same TV channel to stay on the screen for a very long time. Channel logos may cause this situation.
- Do not allow the images, which are not full screen, to constantly stay on the screen; if not streamed in full screen format by the broadcaster, you can convert the images to full screen by changing picture formats.
- Higher brightness and/or contrast values will lead this impact to appear faster; therefore, you are recommended to watch your TV in the lowest brightness and contrast levels.

# CONNECTION AND PREPARATION

## Connecting the antenna and the power adapter



**1** To receive digital satellite channels (DVB-S/S2), connect the satellite antenna cable to the antenna socket »**SATELLITE**« on the television set.

And/or:

**2a** To receive terrestrial digital broadcasters (DVB-T) connect the cable for the rooftop or indoor antenna (passive or active indoor antenna with its own power supply) to the antenna socket »**ANT IN**« on the television set;  
or

**2b** To receive digital cable channels (DVB-C) connect the cable for the rooftop antenna to the antenna socket »**ANT IN**« on the television set;

or

**2c** To receive analogue TV channels, connect the cable for the rooftop antenna to the antenna socket »**ANT IN**« on the television set

### Note:

- When connecting an indoor antenna you may have to try it out at different positions until you get the best reception.

**3** Insert the plug of the power adapter cable into the »**DC IN**« socket of your television.

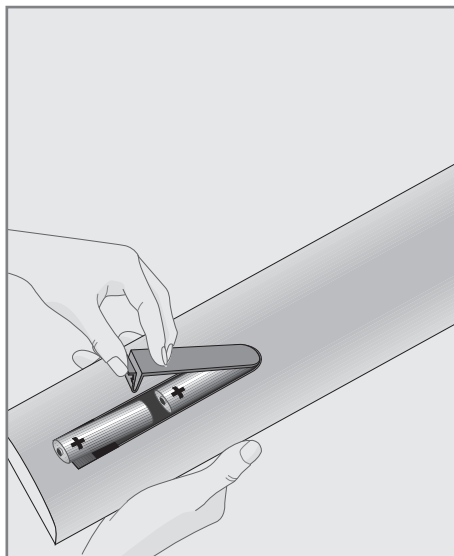
**4** Plug the power cord of the power adapter into a wall socket.

### Notes:

- Before plugging in the electrical cable make sure that the adapter is connected to the television.
- Do not plug in the power adapter until you have connected the external equipment and the antenna.
- Do not use an adapter plug or extension lead which does not meet the applicable safety standards. Do not tamper with the power cord.

# CONNECTION AND PREPARATION

## Inserting batteries into the remote control



- 1 Open the battery compartment by removing the lid.
- 2 Insert the batteries (2 x 1.5 V micro, for example R03 or AAA). Observe the polarity marked in the bottom of the battery compartment.
- 3 Close the battery compartment.

### Note:

- If the television no longer reacts properly to remote control commands, the batteries may be flat. Always remove used batteries.
- The manufacturer accepts no liability for damage caused by leaking batteries.

### Environmental note

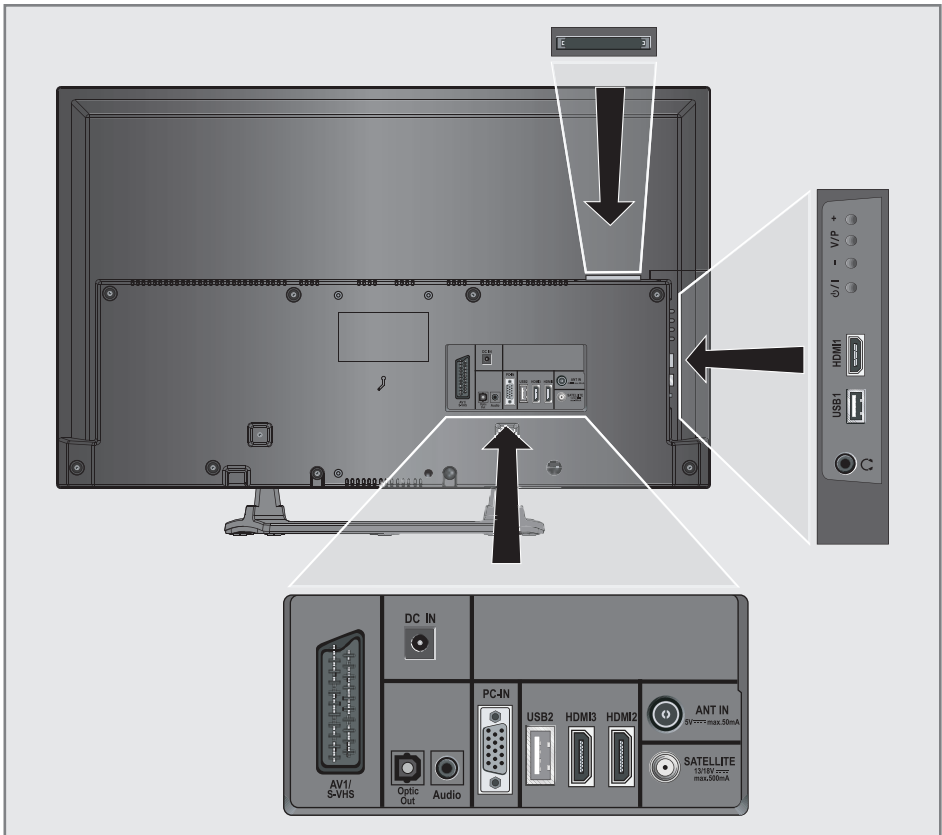


This symbol on rechargeable batteries/batteries or on the packaging indicates that the rechargeable battery/battery may not be disposed of with regular household rubbish. For certain rechargeable batteries/batteries, this symbol may be supplemented by a chemical symbol. Symbols for mercury (Hg) or lead (Pb) are provided if the rechargeable batteries/batteries contain more than 0.0005% mercury or more than 0.004% lead.

Rechargeable batteries/batteries, including those which do not contain heavy metal, may not be disposed of with household waste. Always dispose of used batteries in accordance with local environmental regulations. Make enquiries about the applicable disposal regulations where you live.

# OVERVIEW


## Connections on the television set




- |                    |   |              |                                       |
|--------------------|---|--------------|---------------------------------------|
| <b>DC IN</b>       | Socket for power adapter.   | <b>PC-IN</b> | VGA socket, video input for PC;       |
| <b>AV1 / S-VHS</b> | SCART socket (CVBS signal, RGB signal); Video and sound socket for S-Video camcorder.                           | <b>USB2</b>  | Sockets for video input (YUV signal). |
| <b>Optic Out</b>   | Socket for audio output (optical) for PCM/AC3 signals.<br>For connecting digital AV amplifiers or AV receivers. | <b>HDMI3</b> | HDMI socket, audio/video input.       |
| <b>Audio</b>       | Socket for audio input for a PC;<br>Sockets for audio input (YUV signal).                                       | <b>HDMI2</b> | HDMI socket, audio/video input.       |

# OVERVIEW

---

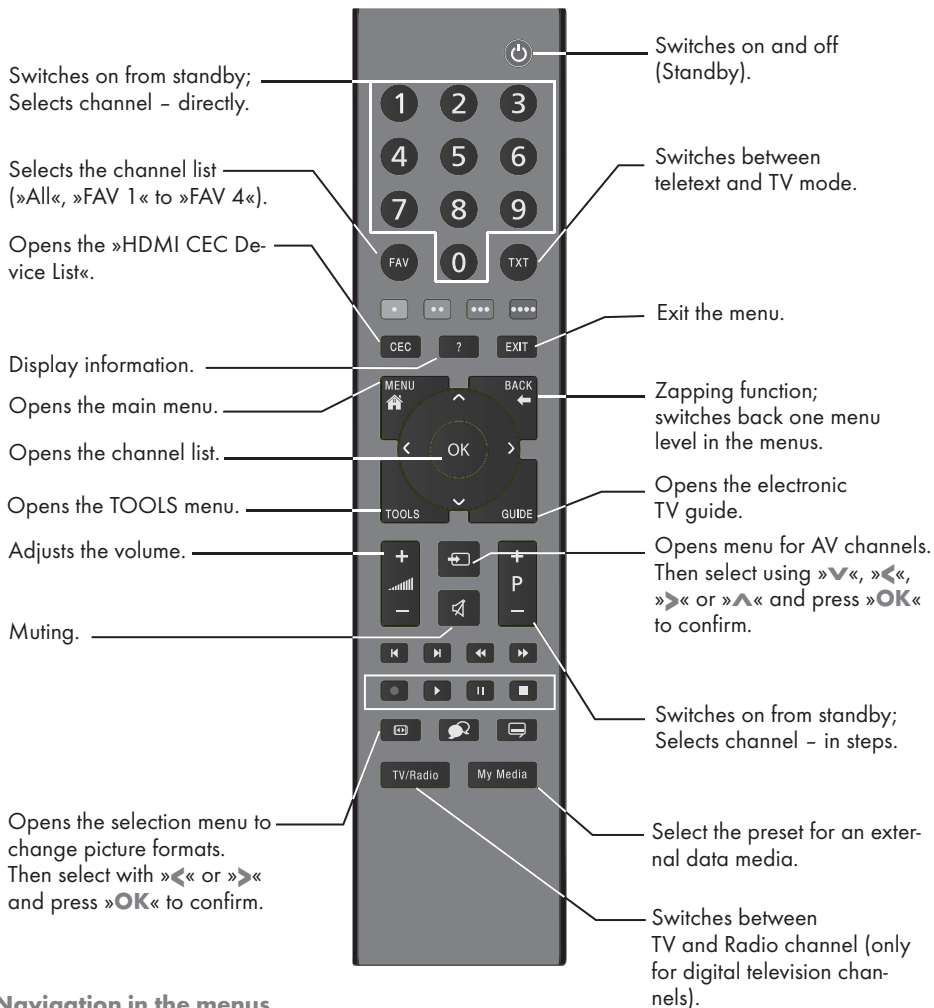
<b>SATELLITE</b>	Antenna socket for the satellite antenna (DVB-S/S2).
<b>ANT IN</b>	Antenna socket for a DVB-T, DVB-C and analogue antenna.
	Headphone jack (3.5 mm jack plug); Sockets for audio output.
<b>USB1</b>	USB socket for external data media without a power supply of their own.
<b>HDMI1</b>	HDMI socket, audio/video input.
<b>CI</b>	Common Interface Slot.

## Controls on the television set

	Switches the television on and back into standby mode.
-	Adjusts the volume; Selects channels in steps.
<b>V / P</b>	Pre-selection for volume or channel selection. Switches the television on from standby.
+	Adjusts the volume; Selects channels in steps.

# OVERVIEW

## The remote control – Main functions



### Navigation in the menus



Moves the cursor up and down in the menus.

Moves the cursor to the left and right in the menus.

Activates various functions and save functions/settings.

# OVERVIEW

---

## The remote control – All functions

- (red) Selects pages in teletext;
- (green) Selects/activates various functions
- (yellow) in the menus.
- (blue)

◀ Switches to double character size in teletext; selects the previous title/previous picture in the file browser.

▶ Refreshes a teletext page; selects the next track/next picture in the file browser.

◀◀ Stops scrolling through pages in teletext; starts a fast reverse search in the file browser.

▶▶ Reveals answers in teletext; starts a fast forward search in the file browser.

▶ Starts playing a programme from an external data medium.

▬ Freeze frame, if no external data medium is connected; playback pause.

■ Ends playback of a programme from an external data medium; splits the screen in teletext.

🗨 Selects different audio languages (only for digital television channels).

💬 Selects different subtitles (only for digital television channels).

## Initial set-up and tuning television channels

The television set is equipped with automatic channel search, which searches for satellite channels (DVB-S/S2), terrestrial channels (DVB-T), cable channels (DVB-C) and analogue channels.

You start the search and the television channels will be stored into the different Program Tables. Following, you can sort the channels in the Program Tables.

## The various settings

Depending on the type of antenna connected, you can decide which channels you would like the television to search for.

■ **DVB-S/S2** - Tunes digital television channels from the satellite, from page 15.

You have two options for this search:

- the basic installation which presets a standard selection, e.g. the satellite Astra 19.2° East; you need only start the search;
- the professional installation, which allows you to make all required settings and set parameters for your receiver system.

■ **DVB-T** - Tunes digital terrestrial television channels, on page 17.

■ **DVB-C** - Tunes digital television channels from the cable provider, on page 17.

■ Tunes analogue television channels, in the chapter "Special functions", starting on page 54.

■ Further settings for digital television channels after the initial set-up can also be found in the chapter "Special Settings", starting on page 48.

### Note:

■ Make the language and country selection for all types, then continue reading the respective chapter.

## Selecting language, country and operating mode

- 1 Switch on the television set from standby with »**⏻**«, »**1...0**« or »**P+**« or »**P-**«.
  - During initial set-up, the »Installation Guide« will be displayed.

### Help:

- If this menu is not displayed, restore the television set to its default settings (see page 39).
- 2 Select the menu language with »**◀**«, »**▶**«, »**▼**« or »**▲**« and press »**OK**« to confirm.
  - 3 Select the mode with »**◀**« or »**▶**« and press »**OK**« to confirm.
    - The settings used in »Home Mode« help to save energy.
    - Alternatively, the menu item »Shop Mode« can be selected which the retailer can use for demonstrating the device functions.

### Note:

- End the »Shop Mode« by restoring the television set to its default settings (see page 39).
- 4 Select the country in which the television set is operated with »**◀**«, »**▶**«, »**▼**« or »**▲**« and press »**OK**« to confirm.
    - The »Source Setup« menu appears with the »Connection Type« line marked.

### Note:

■ You can find a description of how to tune the television channel of your choice - depending on the antenna connected - in the following chapters.

## Tuning the television channels from satellite (DVB-S/S2)

You have two options for tuning digital satellite channels.

- A** The easy installation, which pre-configures all antenna settings for the satellite channels on Astra 19.2° East.
- B** The advanced installation can be used if you wish to receive satellite channels from various satellites. To do so, you must make the antenna settings (Satellite, LNB Power, LNB Type, DISEqC Mode, LNB Selection) for the satellites chosen.

### Easy installation

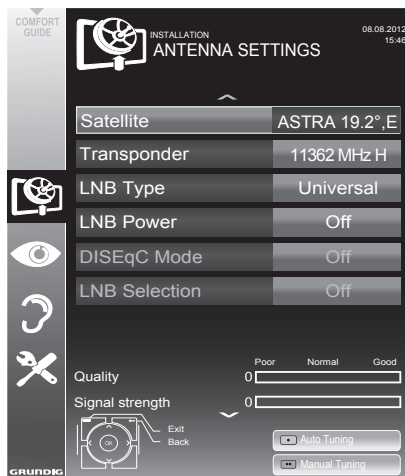
- 1** In the »Source Setup« menu, in the »Connection Type« line, select the option »Satellite« with »◀« or »▶«.
- 2** Select the line »Easy Installation« with »▼« or »▲« and press »OK« to confirm.
  - Other menu options will be displayed, the satellite Astra 19.2° East is preset.
- 3** Start the scan with »♦♦♦« (green).
  - The »Search results« menu appears, and the scan for TV channels begins.
  - Depending on the number of television channels received, this can easily take a few minutes.
  - The scan is complete as soon as the »PROGRAM TABLE« appears.

#### Note:

- You can abort the scan by pressing »EXIT«.

## Advanced installation

- 1** In the »Source Setup« menu, in the »Connection Type« line, select the option »Satellite« with »◀« or »▶«.
- 2** Select the line »Advanced Installation« with »▼« or »▲« and press »OK« to confirm.
  - The menu appears.

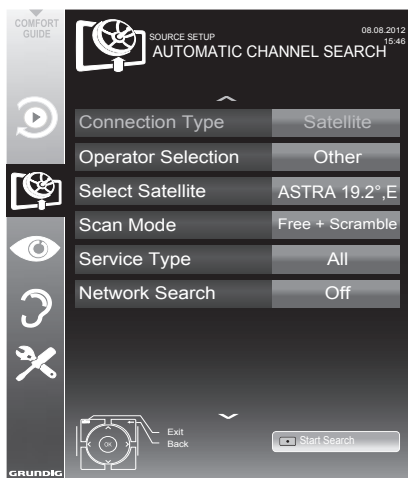


- 3** Select the line »Satellite« with »▼« or »▲« and press »OK« to confirm.
  - The »SELECT SATELLITE« menu appears. Select the satellites with »▼«, »▲«, »◀« or »▶« and press »OK« to confirm.

#### Note:

- The setting in the line »Transponder« is not required for this automatic scan.
- 4** Select the line »LNB Power« with »▼« or »▲«.  
Depending on the type of LNB, set the LNB power supply to »13/18 V« or »14/19 V« with »◀« or »▶«.
  - 5** Select the line »LNB Type« with »▼« or »▲«.  
Select the type of LNB installed with »◀« or »▶«.

- 6 Select the line »DiSEqC Mode« with »▼« or »▲«. Select »DiSEqC 1.0« or »DiSEqC 1.1« in accordance with the existing antenna system with »◀« or »▶«.
  - DiSEqC 1.0 allows up to four satellites to be received simultaneously.
  - DiSEqC 1.1 allows up to 16 satellites to be received simultaneously.
- 7 Select the line »LNB Selection« with »▼« or »▲«. Select the setting for the respective satellites with »◀« or »▶«.
- 8 Once the settings for the satellite have been made, switch to the »AUTOMATIC CHANNEL SEARCH« menu with »\*« (red).



- 9 Select the line »Scan Mode« with »▼« or »▲«. Select the scan mode with »◀« or »▶« (for unencrypted channels, for encrypted channels only, or for both).
- 10 Select the line »Service Type« with »▼« or »▲«. Use »◀« or »▶« to select whether you want to search for television channels only (TV), radio stations only (Radio) or both (Radio + TV).

## Note:

- It is possible, that some TV channels (transponders) cannot be found. This is caused by a change in satellite parameters made by the broadcaster, e.g. new channels have been added. Set the »Network Search« option to »On«.

- 11 Start the scan with »\*« (red).
  - The »Results« menu appears, and the scan for TV channels begins.
  - Depending on the number of television channels received, this can easily take a few minutes.
  - The scan is complete as soon as the »PROGRAM TABLE« appears.

## Note:

- You can abort the scan by pressing »EXIT«.

- 12 Press »EXIT« to end the setting.

## Note:

- If other television channels are to be tuned from a second satellite, proceed as follows:

Open the menu with »MENU«, select the line »SOURCE SETUP« with »▼« or »▲« and press »OK« to confirm. Then select the »Automatic Channel Search« with »▼« or »▲« and press »OK« to confirm. Confirm the line »Select Satellite« with »OK« and select the preferred satellite with »▼«, »▲«, »◀« or »▶«. Start the scan with »\*« (red). Continue the adjustment by step 7 of the chapter.

## Note:

- Before recording HD channels, please check signal quality and Strength, see chapter "Displaying signal information" on page 57. If the level is displayed in green, you can record HD channels without any problems.

## Tuning terrestrial television channels (DVB-T)

- 1 In the »Source Setup« menu, in the »Connection Type« line, select the option »Air« with »◀« or »▶«.
- 2 Select the line »Scan Type« with »▼« or »▲«.  
Use »◀« or »▶« to set the required scan type:
  - »DTV«, scan for digital television channels;
  - »ATV«, scan for analogue television channels;
  - »ATV & DTV«, scan for analogue and digital television channels.

### Caution:

- The antenna power supply (5V  $\overline{\text{---}}$ ) may only be switched on if the antenna is an active indoor antenna with a signal amplifier and it is not already supplied with a voltage via a mains plug (or similar supply). Otherwise you may cause a short circuit and irreparably damage your antenna.
- 3 Select the line »Active Antenna Power« with »▼« or »▲«.  
Switch on the antenna power supply for the antenna with »◀« or »▶« (»On«).
  - 4 Start the scan with »•••« (green).
    - The »Search Results« menu appears, and the search for TV channels begins.
    - Depending on the number of television channels received, this can easily take a few minutes.
    - The scan is complete as soon as the »PROGRAM TABLE« appears.

### Note:

- You can abort the scan by pressing »EXIT«.
- 5 Press »EXIT« to end the setting.

### Note:

- Before recording HD channels, please check signal quality and Strength, see chapter "Displaying signal information" on page 57. If the level is displayed in green, you can record HD channels without any problems.

## Tuning television channels from the cable provider (DVB-C)

- 1 In the »Source Setup« menu, in the »Connection Type« line, select the option »Cable« with »◀« or »▶«.
- 2 Select the line »Scan Type« with »▼« or »▲«.  
Use »◀« or »▶« to set the required scan type:
  - »DTV«, scan for digital television channels;
  - »ATV«, scan for analogue television channels;
  - »ATV & DTV«, scan for analogue and digital television channels.
- 3 Select the line »Cabel Scan Type« with »▼« or »▲«. Select the preferred option (»Quick« or »Full«) with »◀« or »▶«.
  - The search function »Quick« sets up the channels according to the information provided by your cable provider in the transmission signal.
  - If the option »Full« is selected, the entire frequency range will be scanned. The search can take a long time with this option. This option is recommended if your cable provider does not support the scan type »Quick«.

### Note:

- You can accelerate the search. To do this, you need information about the frequency and network ID. You are usually able to get this data from your cable operator or find it in forums on the Internet.
- 4 Start the scan with »•••« (green).
    - The »Search Results« menu appears, and the search for TV channels begins.
    - Depending on the number of television channels received, this can easily take a few minutes.
    - The scan is complete as soon as the »PROGRAM TABLE« appears.

### Note:

- You can abort the scan by pressing »EXIT«.
- 5 Press »EXIT« to end the setting.

### Note:

- Before recording HD channels, please check signal quality and Strength, see chapter "Displaying signal information" on page 57. If the level is displayed in green, you can record HD channels without any problems.

# SETTINGS

## Changing the program table for the digital channels

Channels which are found using the scan are saved in the »PROGRAM TABLE«.

You can delete channels which are not required from the programme table, you can change the order of channels within the programme table and lock individual channels (Parental control).

You can also add channels to the favourites list; in addition, you can change the order of channels within the favourites list.

With »♦♦♦« (green) you can display the channels which belong to one network.

Switch to the next page in the programme table with »P+« and to the previous page with »P-«.

With »♦♦♦♦« (yellow) you can open the »LIST MANAGEMENT« within the programme table.

In this List Management you can create your own favourites lists.

With »♦♦♦♦♦« (blue) you can sort the channels according different criteria.

## Selecting channel lists

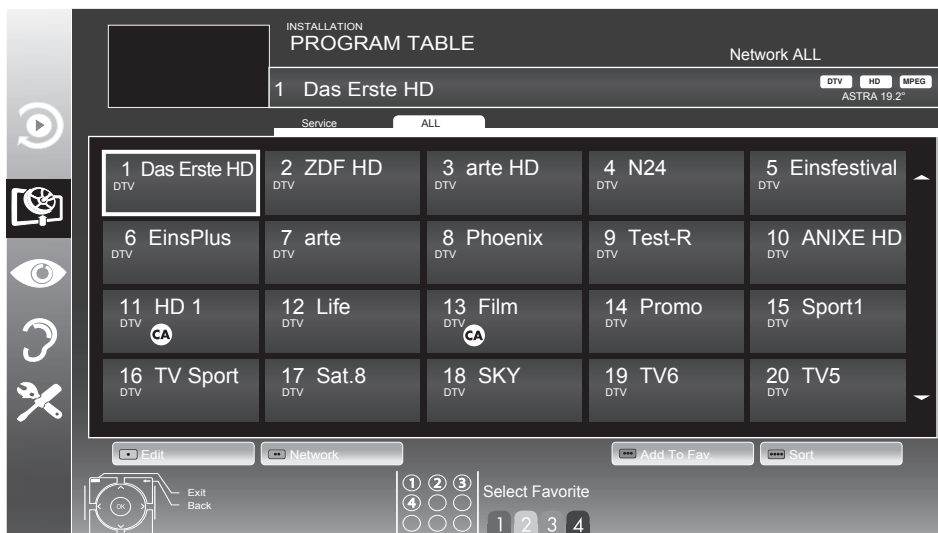
- 1 Open the menu with »MENU«.
- 2 Select the »SOURCE SETUP« menu with »▼« or »▲« and press »OK« to confirm.  
– The »SOURCE SETUP« menu appears.
- 3 Select the line »Programme Table« with »▼« or »▲« and press »OK« to confirm.  
– The menu »PROGRAM TABLE« appears.

### Important:

- Programme table and favourites lists are saved separately according to the different input sources (satellite, cable, air).
- When opening the programme table, the respective channel list for the current input signal appears.

### Notes:

- If in the programme table **CA** appears added to the name of the channel, you need a CI module and a Smart-Card for watching these channels.
- As the received data channels are not displayed in the programme table, number channels displayed in the programme table may be less than 6000.



## Deleting channels in the program table

- 1 In the »PROGRAM TABLE« menu, select the Edit mode by pressing »\*« (red).
- 2 Select the television channel to be deleted with »▼«, »▲«, »◀« or »▶« and press »♦♦♦« (yellow) to delete.

### Note:

- You can delete all channels with »♦♦♦♦« (blue).
- 3 Confirm the deletion process with »♦♦« (green);  
or  
cancel the deletion process with »\*« (red);
  - 4 Quit the program table with »EXIT«.

## Change the order of the channels in the program table

(only satellite channels and digital television channels from the cable provider)

- 1 In the »PROGRAM TABLE« menu, select the Edit mode by pressing »\*« (red).
- 2 Select the channel which should be moved with »▼«, »▲«, »◀« or »▶« and mark it with »\*« (red).
- 3 Move the channel to its new position with »▼«, »▲«, »◀« or »▶« and press »OK« to confirm.

### Note:

- Repeat steps 2 and 3 if you would like to change other channels.
- 4 Quit the program table with »EXIT«.

## Sorting channels in the program table

(only satellite channels and digital television channels from the cable provider)

You can sort the order of the channels in the program table according different criteria.

- 1 In the »PROGRAM TABLE« menu, select the Sort mode by pressing »♦♦♦♦« (blue).

- 2 Select the sort criteria for satellite channels with »\*« (red), »♦♦« (green) or »♦♦♦« (yellow);

### or

sort digital television channels from the cable provider with »♦♦♦♦« (blue).

- 3 Quit the program table with »EXIT«.

## Skipping channels

You can mark television channels which should be skipped when selecting with »▲« or »▼«. It is still possible to select them using the number buttons.

- 1 In the »PROGRAM TABLE« menu, switch over to the list view with »♦♦♦« (yellow).
- 2 Select the preferred channel with »▼« or »▲«.
- 3 Select the column »Skip« with »◀« or »▶« and use »OK« to mark the channel.  
– The channel is marked by »✓«.
- 4 Quit the program table with »EXIT«.

### Note:

- Channels can also be reactivated. Select the channel with »▼« or »▲«, then select the column »Skip« and reactivate the channel with »OK«.

## Creating lists of favourites

You can save your favourite channels in up to four favourites lists (FAV 1 to FAV 4).

### Notes:

- Favourites lists must be created separately for all input sources (satellite, cable, air).
  - You can select the favourites list by pressing »FAV«.
- 1 In the »PROGRAM TABLE« menu, switch over to the list view with »♦♦♦« (yellow).
  - 2 Select the channel of your choice with »▼« or »▲«.

- 3 "Push" the channel into the favourites lists 1 to 4 with »◀« or »▶« and press »OK« to confirm.
  - The position in the favourites list is marked with »✓«.
  - You can enter the same channel in more than one favourite list.
  - Each favourite list can store up to 250 channels.

### Notes:

- Channels can also be deleted from the favourites lists. Select the channel to be deleted with »▼«, »▲«, »◀« or »▶« and press »OK« to delete it.
- When deleting a channel from the favourites list, the order within the favourites list will be updated.

- 4 Quit the program table with »EXIT«.

## Sorting channels in the favourite list

You can change the order of channels in the favourites list.

- 1 In the »PROGRAM TABLE« menu, select the favourites list »1« to »4«.
- 2 Select the channel which should be moved with »▼«, »▲«, »◀« or »▶« and mark it with »•« (red).
- 3 Move the channel to its new position with »▼«, »▲«, »◀« or »▶« and press »OK« to confirm.

### Notes:

- Repeat steps 2 and 3 if you would like to change other channels within the same favourites list.
  - Repeat steps 1 to 3 if you would like to change channels in a different favourites list.
- 4 Exit the current favourites list with »••••« (blue).
    - The entire programme table will appear again.
  - 5 Quit the program table with »EXIT«.

## Enter own names for the favourites lists (max. 6 characters)

You can enter own names for all favourites lists.

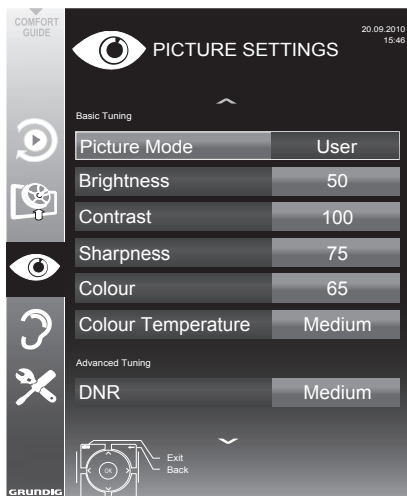
- 1 In the »PROGRAM TABLE« menu, switch over to the list view with »••••« (yellow).
- 2 Select the desired favourites list with »1« till »4«.
  - The Favorite Name screen is displayed.
- 3 Delete the „old“ name (FAV1), for this purpose select with »▼«, »▲«, »◀« and »▶« the push button »X« and delete the character with »OK«.
- 4 Select the required character/numeric with »▼«, »▲«, »◀« and »▶« and confirm with »OK«.

Repeat the procedure for further characters/ numerics.

  - Select »Caps« for uppercase and lower case and confirm with »OK«.
  - Select »Shift« for numbers and symbols and confirm with »OK«.
- 5 Confirm the new name, select the push button »Enter« with »▼«, »▲«, »◀« or »▶« and confirm with »OK«.
- 6 Press »EXIT« to end the setting.

## Picture settings

- 1 Open the menu with **»MENU«**.
- 2 Select the menu item **»PICTURE SETTINGS«** with **»▼«** or **»▲«** and press **»OK«** to confirm.  
- The **»PICTURE SETTINGS«** menu appears.



- 3 Select the line **»Picture Mode«**, **»Brightness«**, **»Contrast«**, **»Sharpness«**, **»Colour«**, or **»Colour Temperature«** with **»▼«** or **»▲«**. Select the value with **»◀«** or **»▶«** and press **»OK«** to confirm.

### Notes:

- When changing the values with **»◀«** or **»▶«**, the screen will be split. You can see the current picture value on the left side, the new setting on the right side.
  - In the **»PICTURE SETTINGS«** menu you can also find other additional settings.
- 4 Select the line **»DNR«**, **»Mpeg NR«**, **»Vibrant Colour«**, **»Perfect Clear«**, **»Film Mode«**, **»Gamma«**, **»Dynamic Contrast«**, **»Dynamic Backlight«**, **»Backlight«** or **»MEMC«** with **»▼«** or **»▲«**. Select the value with **»◀«** or **»▶«** and press **»OK«** to confirm.

### Notes:

- You can only select the **»Mpeg NR«** function on digital and AV presets.  
**»Mpeg NR«** reduces any interference from artefacts (pixel blocks) from digital programmes due to MPEG compression (such as from DVB-T receivers or DVD players).
  - The **»Film Mode«** detects and processes feature films automatically for all channel sources. This means you will always receive an optimal picture.  
This functions in the modi 480i, 576i and 1080i in TV playback and for other channel sources.  
If the **»Film mode«** is switched on for programmes without a feature film signal, minor problems such as picture freeze, defective subtitles or fine lines in the picture could occur.
  - The function **»Dynamic Contrast«** adapts the contrast dynamically and optimally for the respective picture content.
  - With **»Dynamic Backlight«**, the device optimally adapts the background lighting to the picture content.
  - The **»Backlight«** can only be set manually when the function **»Dynamic Backlight«** is deactivated.
  - **»MEMC«** will only appear in menus of LCD products with 200 Hz PPR Feature and LED products with 400 Hz PPR feature..
- 5 Press **»EXIT«** to end the setting.

## Sound settings

- 1 Open the menu with »MENU«.
- 2 Select the menu item »SOUND SETTINGS« with »▼« or »▲« and press »OK« to confirm.  
- The »SOUND SETTINGS« menu appears.



### Note:

- Additional operations are explained in the following sections.

## Volume

- 1 Select the line »Volume« with »▼« or »▲« and change the setting with »◀« or »▶«.

## Balance

- 1 Select the line »Balance« with »▼« or »▲« and change the setting with »◀« or »▶«.

## Automatic volume

Television stations broadcast at different volumes. The automatic volume limiting (AVL) function means the volume is kept the same when you switch between channels.

- 1 Select the line »AVL« with »▼« or »▲« and select the option »On« with »◀« or »▶«.

### Note:

- If the »SRS TSHD« setting has been selected in the »Audio Mode« line, the AVL line cannot be selected.

## Stereo/two channel sound, mono

If the device receives two-channel-sound programmes, e.g. a film with the original soundtrack on audio channel B (display: »Dual II«) and the dubbed version on sound channel A (display: »Dual I«), you can select the audio channel you prefer.

If the device receives stereo or Nicam programmes, it switches automatically to stereo sound (display: »Stereo«).

You can switch the sound to »Mono« if the stereo sound quality is poor.

- 1 Select the line »Audio Type« with »▼« or »▲« and adjust the setting with »◀« or »▶«.

## Stereo width

This broadens the sound output for stereo programmes and improves the sound with mono reception.

- 1 Select the line »Audio Mode« with »▼« or »▲«.
- 2 Select the option »Spatial« with »◀« or »▶«.

# SETTINGS

---

## Soundeffects

This menu offers three preset sound effects (Music, Natural and Speech) and one setting to be created by you (User).

- 1 Select the line »Sound Preset« with »▼« or »▲«.
- 2 Select the sound effect »Music«, »Natural« or »Speech« by pressing »◀« or »▶«.

### Note:

- »User« option is active when »Sound mode« setting is selected as »Normal« or »Spatial«.

## SRS TruSurround HD

SRS TruSurround HD is a patented audio technology which is integrated into the television set and only requires the built-in speakers to generate a Surround Sound effect.

- 1 Select the line »Sound Mode« with »▼« or »▲«.
- 2 Select the option »SRS TSHD« with »◀« or »▶«.
- 3 Select the line »SRS Sound Preset« with »▼« or »▲«.
- 4 Select the sound effect »Music«, »Movie«, »Natural« or »Speech« with »◀« or »▶«.

## Equalizer

Equalizer offers a sound setting "User" that you can create.

Equaliser appears in the menu when »Sound mode« is selected as »Spatial« or »Normal«, and »Sound Medium« as »User«.

- 1 Select »Equalizer« with »▼« or »▲« and press »OK« to confirm.  
The »EQUALIZER« menu appears.

### Note:

- If the »SRS TSHD« setting has been selected in the »Sound Mode« line, the »Equalizer« line will not indicate.
- 2 Select the frequency bandwidth »120Hz« with »▼« or »▲«.  
Set the preferred value with »◀« or »▶«.
  - 3 Set the next frequency bandwidth with »▼« or »▲« and repeat the setting.
  - 4 Press »◀« to save the setting.

## Audio description (Audio subtitles)

Audio description is an additional audio channel for visually-impaired persons. Descriptions are provided of activities, surroundings, changes of scene, gestures and actors' facial expressions.

This audio channel is transmitted simultaneously with the normal sound on digital channels. Availability depends on the respective channel and broadcaster.

- 1 Select the line »Audio Description« with »▼« or »▲« and select the option »On« with »◀« or »▶«.
- 2 Select the line »Volume« with »▼« or »▲« and change the volume with »◀« or »▶«.

## Exiting the setting

- 1 Press »EXIT« to end the setting.



is a trademark of SRS Labs, Inc.

TruSurround HD technology is incorporated under licence from SRS Labs, Inc.

## Basic functions

### Switching on and off

- 1 Switch the television to standby with the power switch **»ON • OFF«**.
- 2 Press **»⏻«**, **»1...0«** or **»P+«** or **»P-«** to switch on the television from standby mode.
- 3 Press **»⏻«** to switch the television to standby.

### Selecting channels

- 1 Press **»1...0«** to select presets directly.
- 2 Select television channels step by step with **»P+«** or **»P-«**.
- 3 Open the channel list with **»OK«**, select the preferred television channel with **»▼«**, **»▲«**, **»◀«** or **»▶«** and press **»OK«** to confirm. Exit the channel list with **»MENU«**.

#### Notes:

- Informations appears automatically for a short time.
- Switch over to the radio programmes, press **»TV/RADIO«**. Select the Channel List with **»OK«**. The Radio List appears. Select the radio programme with **»▼«** or **»▲«** and press **»OK«** to confirm. Use **»TV/RADIO«** to switch back to the Channel List for television channels.

### Selecting channels from lists

You can select channels from various lists (e.g. all channels, FAV 1 to FAV 4).

- 1 Press **»FAV«** to open an overview of programme tables.
  - The overview is displayed.
- 2 Select a channel list with **»▲«** or **»▼«** and open it with **»OK«**.
- 3 Select a television channel with **»▼«**, **»▲«**, **»◀«** or **»▶«** and press **»OK«** to confirm.
- 4 Press **»EXIT«** to exit the channel list.

### Selecting a preset AV channel

- 1 Open the **»Select Source«** menu with **»→□◀«**.
- 2 Select an AV preset with **»▼«**, **»▲«**, **»◀«** or **»▶«** and press **»OK«** to confirm.
- 3 Use **»1...0«** to switch back to the television channel.

### Adjusting the volume

- 1 Adjust the volume with **»+ 🔊 -«**.

### Switching sound on/off

- 1 Press **»🔇◀«** to mute the sound or switch it on again.

### Displaying information

- 1 Display information, press **»?«** repeatedly.
  - The display disappears automatically after a short while.

### Freeze-frame

If you wish to view a particular scene for longer, you can "freeze" the frame of the current programme.

- 1 Activate the freeze-frame function with **»||◀«**.
- 2 End the freeze-frame function with **»||◀«**.

### Picture settings

Various picture settings are available.

- 1 Open the Tools menu with **»TOOLS«**.
- 2 Select the menu item **»Picture Mode«** with **»▼«** or **»▲«**.
- 3 Select the picture setting by pressing **»◀«** or **»▶«**.
  - You can change the **»User«** picture setting; see "Picture settings" on page 21.

#### Note:

- Picture setting **»Game«** can only be selected in **»HDMI«**, **»Component«** and **»PC«** modes.

## Audio settings

Various audio settings are available.


- 1 Open the Tools menu with »**TOOLS**«.
- 2 Select the menu item »Sound Preset« with »**V**« or »**^**«.
- 3 Select the audio setting by pressing »**<**« or »**>**«.
  - You can change the »User« audio setting - see the "Soundeffects" chapter on page 22.

### Note:

- »User« option is active when »Sound mode« setting is selected as »Normal« or »Spatial«.


## Audio language

Various languages are available on digital television channels. This depends on the programme being broadcast.

- 1 Open the selection menu with »«.
- 2 Select the language by pressing »**V**« or »**^**« and press »**OK**« to confirm.

## Subtitles

Various subtitles are available on digital television channels. This depends on the programme being broadcast.

- 1 Open the selection menu with »«.
- 2 Select the subtitles with »**V**« or »**^**« and press »**OK**« to confirm.

## Zoom function

This function allows you to enlarge the picture as required.

- 1 Open the Tools menu with »**TOOLS**«.
- 2 Select the menu item »Zoom« with »**V**« or »**^**«.
- 3 Press »**OK**« repeatedly to enlarge the display in three steps.

## Eco mode

This function allows you to reduce the power consumption.

- 1 Open the Tools menu with »**TOOLS**«.
- 2 Select the menu item »Eco TV« with »**V**« or »**^**«.
- 3 Switch on the Eco mode with »**<**« or »**>**«.
- 4 Switch the Eco mode off again with »**<**« or »**>**«.

## Entering the switch-off time (sleep timer)

In the »Sleep Timer« menu you can enter a time for the television to switch off. After this time has elapsed, the television switches to standby mode.

- 1 Open the Tools menu with »**TOOLS**«.
- 2 Select the line »Sleep Timer« with »**V**« or »**^**«.
- 3 Enter the switch-off time with »**<**« or »**>**«.

### Note:

- To switch off the function, use »**<**« or »**>**« to set the switch-off time to »Off«.

## Zapping function

This function remembers the channel you are currently watching while you switch over to other ones (zapping).

- 1 Press »1...0« or »P+«, »P-« to select the channel to be stored in the zapping memory and press »←« to confirm.
- 2 Press »1...0« or »^«, »v« to switch to another television channel.
- 3 Press »←« to switch between the saved television channel and the last television channel viewed.
- 4 End the function with »MENU«.

## Electronic TV guide

The electronic TV guide provides an overview of all programmes that will be broadcast in the next week (for digital channels only).

- 1 Press »GUIDE« to display channel information.

### Notes:

- Not all channels supply provide a detailed TV guide.
- Many broadcasters transmit the current schedule, but do not offer detailed descriptions.
- There are broadcasters which do not provide any information at all.

- 2 Press »v« or »^« to select a television channel.
  - Today's programmes on the television channel selected are displayed.
- 3 Switch to the information about the current programme with »>«.

### Notes:

- You can open and switch off the extensive programme information with »?«.
- You can add the selected broadcast to the memory timer by pressing »OK«.

- 4 Press »v« to select information on the next programme and, »^« to return to the information for the current programme.
- 5 Select programmes on over the coming days with »••« (green), and switch back to the current day with »•« (red).
- 6 Switch back to the channel selection with »<«.


### Note:

- Filter for certain programmes with »••••« (blue), select the channel type with »<«, »>«, »v« or »^« and press »OK« to confirm. Programmes which match the selected channel type are displayed.

- 7 Quit the electronic TV guide with »EXIT«.

## Changing the picture format

Basic setting is 16 : 9.

- 1 Select the picture format with »«.
  - The picture format (for example »16:9«) is displayed.
  - You can choose between the following picture formats:

### »Auto« format

The picture format is automatically switched to »16:9« for 16:9 programmes.

The picture format is automatically switched to »4:3« for 4:3 programmes.

### »16:9« and »14:9« formats

For programmes in 4:3 format, the picture is stretched horizontally if the »16:9« format or »14:9« format is selected.

The picture geometry is stretched horizontally.

With actual 16:9 input sources (from a set-top box on the SCART socket) the picture fills the screen completely and with the correct geometry.

### »4:3« format

The picture is shown in 4:3 format.

### »LetterBox« format

The letterbox format is especially suitable for programmes in 16:9 format.

The black borders which are usually at the top and bottom of the screen are eliminated, 4:3 pictures fill the screen.

The transmitted pictures are enlarged, but are slightly cropped at the top and bottom. The picture geometry remains unchanged.

### »Subtitle« format

If you cannot see the subtitles at the bottom of the screen, select »Subtitle«.

### »Panorama« format

This setting is suitable for films in an especially wide format.

During programmes in 4:3 format, the picture is stretched horizontally if the »Panorama« function is selected. The picture geometry is stretched horizontally.

### »Overscan off« format

In this mode, HD pictures are not cropped by the HDMI sockets or component sockets, and are displayed in their original size. This only applies in HDMI mode and for resolutions of 720p or above.

# USB OPERATION

---

## File formats

Your television can work with the following file formats using the USB sockets:

## Video data

Special codecs for video compression and decompression provide more memory space without compromising the picture quality excessively.

Your television plays video files in the formats DIVX, XVID, H.264/MPEG-4 AVC (L4.1, 4 reference pictures), MPEG-4, MPEG-2, MPEG-1, MJPEG and MOV.

The following file name extensions are also supported: AVI, MKV, MP4, TS, MOV, MPG, DAT, VOB. These files can also contain audio files compressed using MP3, AAC or Dolby Digital.

## Audio data

Your television can play audio data in the formats MP3, AAC.

MP3 is the abbreviation for MPEG-1 Level 3 and is based on the MPEG-1 standard, which was developed by the MPEG (Motion Picture Expert Group).

AAC stands for Advanced Audio Coding and was also developed by MPEG. AAC provides better sound quality at an identical data rate.

These formats allow audio files to be recorded and played which sound as good as a CD, while taking up only a fraction of the memory space.

File name extensions which are supported: MP3, MP2, M4A, AAC.

MP3 files can be organised into folders and subfolders, as on the computer.

## Image data

Your television can display pictures in the formats JPEG, PNG and BMP.

JPEG stands for Joint Picture Experts Group. It denotes a process for compressing picture files.

PNG and BMP are process used to save image data with no, or very little, losses.

Picture files can be stored with other types of files on one medium.

These files can be organised into folders and subfolders.

# USB OPERATION

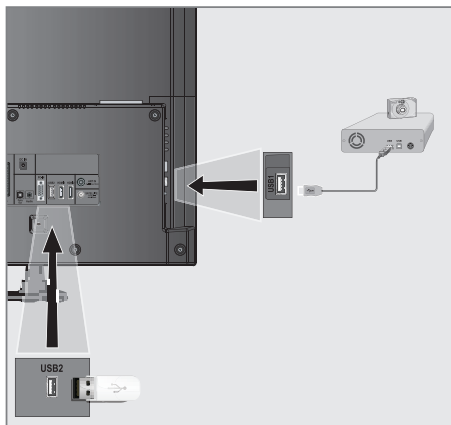
## Connecting external data media

Before connecting the external data medium it is recommended to switch the television to stand-by mode.

Before removing the external data medium, the television set must be switched to standby, so that no data loss occurs.

### Notes:

- The »USB2« socket of the television set supplies a maximum power of 500 mA in accordance with USB specifications. External hard disks which require more power may therefore only be connected to the »USB1« of the television set.
- If you use a network cable for external hard disks which are connected to the »USB1« socket on the television, this network cable must also be disconnected from the power supply when the television is switched off.
- External data media may not be disconnected from the television set while files on the data medium are being accessed.
- A bi-directional data transfer as defined for ITE (Information Technology Equipment) devices in EN 55022/EN 55024 is not possible.
- USB transfer is not in itself an operating mode. It is only an additional function.



- 1 Press »**U**«, »**1...0**« or »**P+**« or »**P-**« to switch on the television from standby mode.
- 2 Connect the »USB1« socket of the television and the corresponding socket on the data device (external hard drive, digital camera, card reader or MP3 player) using a USB cable;  
  
or  
insert the USB plug of the USB memory stick into the »USB2« socket of the television set.

## Removing the external data media

Before removing the external data medium, log off the data medium.

- 1 Open the menu with »**MENU**«.
- 2 Select the menu item »USB« with »**V**« or »**^**« and press »**OK**« to confirm.
- 3 Select the line »Safely Remove Disk« with »**V**« or »**^**« and press »**OK**« to confirm.

### Note:

- The data medium can now be removed from the socket.

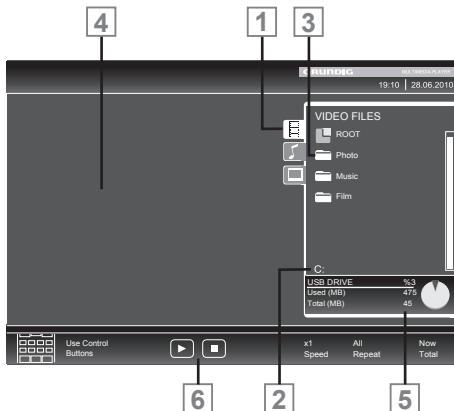
# USB OPERATION

## The file browser

The file browser displays video, audio and picture files stored on external data media.

If an external data medium contains files in different formats, you can, when necessary, filter out the formats not required.

### Main menu of the file browser



- 1 Selected data format.
- 2 Name of the data medium.
- 3 Total number of folders on the data medium.
- 4 Preview of the selected file.
- 5 Information on the external data medium.
- 6 Menu navigation.

## Settings in the USB setup menu

### Selecting the menu

- 1 Press **»→◀**, use **»V◀**, **»^◀**, **»◀◀** or **»▶▶** to select the preset **»USB◀** and press **»OK◀** to confirm.
- 2 Open the menu with **»MENU◀**.
- 3 Select the menu item **»SOURCE SETUP◀** with **»V◀** or **»^◀** and press **»OK◀** to confirm.
  - The **»SOURCE SETUP◀** menu appears.

### Note:

- Additional functions are explained in the following sections.

### Switching on automatic preview

If this function is switched on, a preview of the selected file then appears in the file browser.

- 1 Select the line **»Auto Preview◀** with **»V◀** or **»^◀**.
- 2 Switch on the function with **»◀◀** or **»▶▶** (**»On◀**).
- 3 Press **»EXIT◀** to end the setting.

### Selecting the display mode

- 1 Select **»View Mode◀** with **»V◀** or **»^◀**.
- 2 Select the preferred option with **»◀◀** or **»▶▶**.
- 3 Press **»EXIT◀** to end the setting.

### Setting the display duration for pictures in a slideshow

- 1 Select **»Slide Show Interval◀** with **»V◀** or **»^◀**.
- 2 Select the display duration (3, 5, 10 seconds) with **»◀◀** or **»▶▶**.
- 3 Press **»EXIT◀** to end the setting.

# USB OPERATION

## DivX® VOD

You must have your device registered in order to play the protected video that you will buy from DivX®.

- 1 Select »DivX® VOD« with »▼« or »▲« and confirm with »OK«.  
– Registration Code appears.
- 2 Visit "http://vod.divx.com" and register the device with the registration code.
- 3 Press »MENU« to end the setting.

**DivX+ HD** DivX Certified® to play DivX® and DivX Plus™ HD (H.264/MKV) video up to 1080p HD including premium content.

ABOUT DIVX VIDEO: DivX® is a digital video format created by DivX, LLC, a subsidiary of Rovi Corporation. This is an official DivX Certified® device that has passed rigorous testing to verify that it plays DivX video. Visit [divx.com](http://divx.com) for more information and software tools to convert your files into DivX videos.

ABOUT DIVX VIDEO-ON-DEMAND: This DivX Certified® device must be registered in order to play purchased DivX Video-on-Demand (VOD) movies. To obtain your registration code, locate the DivX VOD section in your device USB setup menu. Go to [vod.divx.com](http://vod.divx.com) for more information on how to complete your registration.

## Basic playback functions

- 1 Select the data medium by pressing »▶◀«, use »▼«, »▲«, »◀« or »▶« to select the option »USB« and press »OK« to confirm.  
– The file browser appears.
- 2 Select the file format (video files, audio files, picture files) with »▼« or »▲«.
- 3 Switch to the folder/file list with »OK«.

### Note:

- USB data medium with several partitions is connected to the USB sockets, the letter for the respective drive (e.g. C) appears behind the folder symbol. Select the letter of the drive with »▼« or »▲« and press »OK« to confirm.
- 4 Select the folder or file with »▼« or »▲« and press »OK« to open it.  
– A list of subdirectories appears.

### Note:

- Switch back to the main folder with »◀«.
- 5 Select the track or picture with »▼« or »▲« and press »▶« to start playing.

### Notes:

- You can view information on the film data by pressing »?«.
  - When playing MP3 data, information on the album, track and singer is displayed at the left of the menu.
  - When playing picture files, you can use »?« to display information about the resolution and size.
  - When playing picture data, press »?« twice to enter the DivX® Settings menu.
  - When playing picture data, the file browser switches off. Press »■« to display the file browser again.
- 6 Press »||« to pause playback.
  - 7 Press »▶« to resume normal playback.
  - 8 Press »■« to end playback.  
The file browser appears.

## Notes:

- Use »^« to select »Up Folder«, when you would like to return to the last folder. Use »Root« (and then press »OK«) to return to the main folder.
- It is possible that files which are actually supported do not function correctly in USB mode. This is because certain files are not recorded with standardised compression processes, although they feature the "right" file ending.
- If a video file features several audio tracks (audio streams), you can switch these over during playback in full screen mode with »Q«.
- When playing music files, you can use other options in the USB mode at the same time. This way, you can, for example, enhance a slideshow with music.
- For films, only subtitles in the .SRT, .ASS, .SSA, .SMI format are supported. The names of the subtitle and film files must be identical. Otherwise, no subtitles will be shown.

## Additional playback functions

Depending on the file format, the following additional functions are available:

### Selecting chapters on DivX® files

(only video files)

- 1 During playback, select the next chapter with »>«.
- 2 During playback, select the previous chapter with »<«.

#### Note:

- You can also select chapters by entering the chapter number with »1...0«.

### Selecting titles on DivX® files

(only video files)

- 1 During playback, select the next title with »^«.
- 2 During playback, select the previous title with »v«.

### Playing selected titles

Only the marked tracks are played.

- 1 Select the titles with »v« or »^« and press »OK« to mark it.
- 2 Select the next title with »v« or »^« and press »OK« to mark it.
- 3 Start playback with »▶«.
- 4 Press »■« to end playback.

#### Note:

- To remove the marking, select the title with »v« or »^« and press »OK« to remove the marking.

# USB OPERATION

---

## Selecting a track or picture in steps (SKIP)

- 1 During playback, select the next track/picture with »▶|«.
- 2 During playback, select the previous track/picture with »|◀«.
  - Playback begins with the track or picture you selected.

## Selecting a certain passage for playback

(video files only)

- 1 During playback, press »OK«.
- 2 Enter the passage (time) with »1 ... 0« and press »♦♦« (green) or »OK« to confirm.

## Fast forward

(for video and audio files only)

You can select different speeds (2-fold, 4-fold, 8-fold, 16-fold and 32-fold forwards and backwards).

- 1 Select the playback speed during playback with »◀◀◀« or »▶▶▶«.
- 2 Press »▶|« to resume normal playback.

## Rotating pictures

(picture files only)

You can rotate pictures by 90°.

- 1 During playback, press »◀◀« or »▶▶« to rotate the pictures by 90°.

## Repeat functions

Options:

- »One Repeat«: the current track will be repeated.
- »All Repeat«: all tracks will be repeated.

- 1 Switch off the repeat function before playback with »TOOLS«.
- 2 Start playback with »▶|«.
- 3 Deactivate the repeat function with »TOOLS«.
  - The display changes to »None Repeat«.

# TELETEXT OPERATION

---

## TOP text or FLOF text mode

- 1 Press »TXT« to switch on teletext.
- 2 Select teletext pages directly with »1...0« or step by step with »▼« and »▲«. Return to teletext page 100 with »?«.

### Note:

- At the bottom of the screen there is an info bar with red, green and – depending on the channel – yellow and blue panels. Similarly, the remote control also features buttons with different colours with which these pages can be selected.
- 3 Go back a page with »\*« (red).
  - 4 Go to the next page with »\*\*« (green).
  - 5 Select a particular chapter with »\*\*\*« (yellow).
  - 6 Select a particular subject with »\*\*\*\*« (blue).
  - 7 Quit teletext with »TXT«.

## Normal text mode

- 1 Press »TXT« to switch on teletext.
- 2 Press »1...0« to select teletext pages directly. Return to teletext page 100 with »?«.
- 3 Go back a page with »▼«.
- 4 Go to the next page with »▲«.
- 5 Quit teletext with »TXT«.

## Additional functions

### Skipping the waiting time

While a page search is progressing, you can switch to the TV programme.

- 1 Enter the teletext page number with »1...0« and then press »▶|«. – As soon as the page is found, the page number is displayed.
- 2 Press »▶|« to switch to the teletext page.

## Enlarging the character height

If you have difficulty reading the text on the screen, you can increase the character height.

- 1 To enlarge the character height of a teletext page, keep pressing »|◀«.

## Page hold

A multiple page may contain several sub-pages, which are automatically scrolled by the broadcasting station.

- 1 Stop the automatic scrolling of the sub-pages with »◀◀«.
- 2 Quit the function with »◀◀«.

## Opening a sub-page directly

If the selected teletext page contains additional pages, the number of the current sub-page and the total number of pages are displayed.

- 1 Press »☐◀« to open the sub-page function.
- 2 Use »◀« or »▶« to select the sub-page.
- 3 Quit the function with »☐«.

## Revealing answers

Certain teletext pages contain hidden answers or information.

- 1 Display information with »▶▶«.
- 2 Press »▶▶« to conceal the information.

## Split screen

This function allows you to display the television channel on the left side, the teletext on the right side.

- 1 Switch the function on with »■«. – The television channel and teletext are displayed next to each other.
- 2 Switch the function off with »■«.

# CONVENIENCE FUNCTIONS

## Opening the SETTINGS menu

- 1 Open the menu with »MENU«.
- 2 Select the menu item »SETTINGS« menu with »V« or »^« and press »OK« to confirm.  
- The »SETTINGS« menu appears.



### Note:

- Additional operations are explained in the following sections.

## Language settings

### Changing the menu language

- 1 Select the line »Menu« with »V« or »^« and press »OK« to confirm.  
- The »Select Menu Language« menu appears.
- 2 Select the menu language with »<«, »>«, »V« or »^« and press »OK« to confirm.
- 3 Press »EXIT« to finish the setting.

### Changing the audio language

(only for digital television channels)

You can define a primary and a secondary audio language.

- 1 Select the line »Audio« with »V« or »^« and press »OK« to confirm.  
- The »Select Audio Language« menu appears.
- 2 Select the audio language with »<«, »>«, »V« or »^« and then use »\*« (red) to set it as the primary audio language, or use »\*\*« (green) to set it as the secondary audio language.  
- The primary and secondary language is displayed at the top right in the menu.
- 3 Press »EXIT« to end the setting.

### Changing the subtitle language and subtitle mode

(only for digital television channels)

You can switch the subtitles on and off, select the subtitle language and allocate a second subtitle language.

- 1 Select the line »Subtitle« with »V« or »^« and press »OK« to confirm.  
- The »Select Subtitle Language« menu appears.
- 2 Select the subtitle language with »V«, »^«, »<« or »>«, then use »\*« (red) to set it as the primary subtitle language, or use »\*\*« (green) to set it as the secondary subtitle language.  
- The primary and secondary language is displayed at the top right in the menu.
- 3 To go back one menu level, press »←«.
- 4 Select the line »Subtitle Mode« with »V« or »^« and then set the preferred option »Off«, »Hard of Hearing« or »Basic« with »<« or »>«.
- 5 Press »EXIT« to end the setting.

# CONVENIENCE FUNCTIONS

## Setting the date and time

### Automatic setting

Your television set detects the difference in time to Greenwich Mean Time (GMT) automatically, as long as the channel selected transmits a time signal.

- 1 Select the line »Date & Time« with »▼« or »▲« and press »OK« to confirm.
  - 2 Select the line »Auto« with »▼« or »▲« and press »OK« to confirm.
    - Date and Time will be updated automatically;
- or
- 3 Select the input box with »▼« or »▲«, enter the data for Date and Time with »1...0« and press »OK« to confirm.

### Manual setting

You can also set the difference in time manually – for example, when the correct time is not detected automatically or does not correspond to local time for other reasons

- 1 Select the line »Time Adjustment« with »▼«, then select the option »Manual« with »◀« or »▶«.
  - The lines »Time Zone« and »Daylight Saving« are active.
- 2 Select the line »Time Zone« with »▼« and press »OK« to confirm.
  - The »Select Time Zone« menu appears.
- 3 Select the appropriate time zone with »◀«, »▶«, »▼« or »▲« and press »OK« to confirm.
- 4 Select the line »Daylight Saving« with »▼« and use »◀« or »▶« to set the option »Auto«, »Off« or »On«.
- 5 Press »EXIT« to finish the setting.

#### Note:

- If the option »Auto« is selected in the line »Time Adjustment«, the television set automatically adapts the time to the time signal from the respective broadcaster. However, different channels may also use time bases which are different to those of your country; e.g. foreign broadcasters. In these cases, reminders and planned recordings may be annulled due to the time difference.

## Timer functions

### Entering the switch-off time (sleep timer)

In the »Sleep Timer« menu you can enter a time for the television to switch off. After this time has elapsed, the television switches to standby mode.

- 1 Select the line »Sleep Timer« with »▼« or »▲«.
- 2 Enter the switch-off time with »◀« or »▶«.

#### Note:

- To switch off the function, use »◀« or »▶« to set the switch-off time to »Off«.
- 3 Press »EXIT« to end the set-up.

### Switch-on timer

In the »Auto On« menu you can enter a switch-on time for the television. After the preset time has elapsed, the television switches on from standby – at the preselected volume and the preselected television channel.

- 1 Select the line »Auto On« with »▼« or »▲« and press »OK« to confirm.
- 2 Select the line »Mode« with »▼« or »▲« and use »◀« or »▶« to select when the television should switch on.
- 3 Select the line »Input Source« with »▼« or »▲« and use »◀« or »▶« to select the input source.
- 4 Select the line »Service Type« with »▼« or »▲« and use »◀« or »▶« to select the preferred option (ATV, DTV, Radio or DATA).
- 5 Select the line »Channel« with »▼« or »▲« and use »◀« or »▶« to select the preferred channel.

#### Note:

- The line »Channel« is only active when the input signal currently in use has been set. If no entry has been made, then the first channel of the selected input source will be used.

# CONVENIENCE FUNCTIONS

6 Select the line »Volume« with »V« or »^« and use »<« or »>« to set the volume.

7 Select the line »Set Hour« with »V« or »^« and enter the time with »1...0«.

8 Save the data with »♦« (green).

## Note:

■ You can abort the entry by pressing »♦« (red).

9 Press »EXIT« to end the setting.

## Switch-off timer

In the »Auto Off« menu, you can enter a time for the television to switch off. After this time has elapsed, the television switches to standby mode.

1 Select the line »Auto Off« with »V« or »^« and press »OK« to confirm.

2 Select the line »Mode« with »V« or »^« and use »<« or »>« to set the preferred mode.

3 Select the line »Set Hour« with »V« or »^« and enter the time with »1...0«.

4 Save the data with »♦« (green).

## Note:

■ You can abort the entry by pressing »♦« (red).

5 Press »EXIT« to end the setting.

## Automatic switch-off (Auto Sleep)

If this function is activated, the television switches automatically to standby after 5 minutes if no video signal is broadcast or in accordance with the according to European regulations, the television switches automatically to standby after 4 hours provided that none of the buttons on the remote control or on the television is operated during this period.

1 Select the line »Auto Sleep« with »V« or »^«.

2 Enter the switch-off time with »<« or »>«.

## Note:

■ To switch off the function, use »<« or »>« to select the setting »Off«.

3 Press »EXIT« to end the setting.

## Parental control settings

### Authorising programmes

There are films which may be wholly or partially unsuitable for children.

These programmes contain information which marks the content or scenes with access levels of 4 to 18. You can select one of the access levels, thereby authorising playback.

1 Select the line »Parental Guidance« with »V« or »^« and press »OK« to confirm.

2 Enter the PIN code »1234« with »1 ... 0«.

3 Select the access level with »<« or »>«.

4 Press »EXIT« to end the setting.

## Note:

■ When the TV is in review buffer mode, the parental rating of the program in the live broadcast is applied on the content being watched (rather than the actual parental rating of the content being watched). As a result, a parental rated content being watched in the review buffer mode will not necessarily show as parental rated and vice versa. This means that if parental rated program starts in live broadcast the PIN-pop up message will appear in review buffer, or the PIN-pop up message will be dismissed in review buffer as soon as a program without parental rating starts in live broadcast."

## Locking menus

This function allows you to lock the »Automatic Channel Search«, »Digital Manual Tuning«, »Analogue Manual Tuning« and »Program Table« menus so that they can be only accessed by entering a PIN code.

1 Select »Menu Lock« with »V« or »^«.

2 Enter the PIN code »1234« with »1 ... 0«.

3 Activate the lock with »<« or »>« (»On«).

## Note:

■ To switch off the menu lock, use »<« or »>« to select the setting (»Off«).

4 Press »EXIT« to end the setting.

# CONVENIENCE FUNCTIONS

## Locking keys (Parental lock)

When the key lock is activated, the buttons on the television set do not function.

- 1 Select the line »Keypad Lock« with »**V**« or »**^**«.
- 2 Enter the PIN code »1234« with »**1 ... 0**«.
- 3 Activate (On) or deactivate (Off) the key lock with »**<**« or »**>**«.
- 4 Press »**EXIT**« to end the setting.

## Changing the PIN code

You can also enter a personal PIN code instead of the default code »1234«. Please take note of your own PIN code.

- 1 Select »Set PIN« with »**V**« or »**^**« and press »**OK**« to confirm.
- 2 Enter the current PIN code 1 2 3 4 with »**1 ... 0**«.
- 3 Enter your new four digit PIN code with »**1 ... 0**«.
- 4 Enter your new four digit PIN code with »**1 ... 0**« again.
- 5 Press »**EXIT**« to end the setting.

## Locking television channels

You can lock individual television channels, for example channels unsuitable for children, using a personal PIN code.

- 1 Open the menu with »**MENU**«.
- 2 Select the menu item »SOURCE SETUP« with »**V**« or »**^**« and press »**OK**« to confirm.
- 3 Select the line »Program Table« with »**V**« or »**^**« and press »**OK**« to confirm.  
– The »PROGRAM TABLE« menu is displayed.
- 4 In the »PROGRAM TABLE« menu, switch over to the list view with »**•••**« (yellow).
- 5 Select the channel to be locked with »**V**« or »**^**«.
- 6 Select the column »Lock« with »**<**« or »**>**« and press »**OK**« to lock the channel.
- 7 Enter the PIN code »1234« with »**1 ... 0**«.  
– The channel is marked using »**✓**«.

### Note:

- To remove the lock, select the channel again with »**V**« or »**^**«, press »**OK**« to confirm and then enter the PIN code 1 2 3 4 using »**1 ... 0**«.

- 8 Press »**EXIT**« to end the setting.

## Watching a blocked television channel

You can watch a TV channel blocked with PIN code by selecting the TV channel and entering the PIN code.

- 1 Select the blocked channel with »**1...0**« or »**P+**«, »**P-**«.
- 2 Open the menu with »**MENU**«.
- 3 Select the menu item »SETTINGS« with »**V**« or »**^**« and press »**OK**« to confirm.
- 4 Select the line »Open Channel Lock« with »**V**« or »**^**« and press »**OK**« to confirm.
- 5 Enter PIN code »1234« with »**1 ... 0**« buttons on the displayed password screen.  
– Blocked channel can be viewed.

### Note:

- Channel will be blocked again when you change the channel.

## Updating software

(for digital channels only)

- 1 In the »SETTINGS« menu, select the line »Check For Updates updates« with »▼« or »▲« and press »OK« to confirm.
  - A search for new software will be made and - if available - it will be installed.

### Note:

- If a search for software updates should be made automatically, select the line »Automatic OAD« with »▼« or »▲« and use »◀« or »▶« to select the option »On«.
    - The software will be updated automatically as far as possible.
- 2 Press »EXIT« to end the setting.

## Restoring the television to the default settings

This function allows you to delete the channel lists and all custom settings.

- 1 In the »SETTINGS« menu, select the line »Restore Factory Defaults« with »▼« or »▲« and press »OK« to confirm.
- 2 Press »••« (green) to confirm the warning message.
  - The »Source Setup« menu appears.
- 3 Continue the settings with the chapter "Initial set-up and tuning television channels" on page 14.

# OPERATION USING EXTERNAL DEVICES

## DIGI LINK



Your television is equipped with the DIGI LINK function.

This function uses the CEC (Consumer Electronics Control) protocol.

CEC allows external devices which are connected to the »HDMI« sockets by an HDMI cable (e.g. DVD player) to be operated with a remote control.

Prerequisite is that the devices connected support CEC. Read the operating manual for the external device to find out how to activate the corresponding function.

## The DIGI LINK functions on your television

### Switching on the television automatically from standby

If the external device (e.g. Blu-ray player) is switched on, the television also switches on and the appropriate HDMI preset is selected automatically.

Depending on the features of the external device, the external device (e.g. AV receiver) can be switched on alone, the television stays in standby.

### Automatic selection of the HDMI preset on the television

If your television is switched on and you then switch on the external device (e.g. DVD player), the appropriate HDMI preset on the television will be selected.

### Selecting the menu language

The television menu language is automatically selected on the external device (e.g. DVD player). The external device must support this function.

### Switching off the external device automatically

If you switch your television to standby, the external device (if it is switched on) will also be switched to standby.

DIGI LINK is always active on your television set.

## Searching for and activating external devices

You can connect up to 11 devices with DIGI LINK functions to your television.

- 1 Open the Tools menu with »**TOOLS**«.
- 2 Select the menu item »**CEC**« with »**▼**« or »**▲**« and press »**OK**« to confirm.
  - The »HDMI CEC Device List« appears.
- 3 Start the device search with »\*« (red).
  - The devices found are displayed in the menu.
- 4 Select the device for operation with »**▼**«, »**▲**«, »**◀**« or »**▶**« and press »**OK**« to mark it.
  - If the selected device is connected to a different input to the current one, a switch to the respective input will occur automatically.
- 5 Press »**EXIT**« to end the setting.



# OPERATION USING EXTERNAL DEVICES

## High definition HD ready

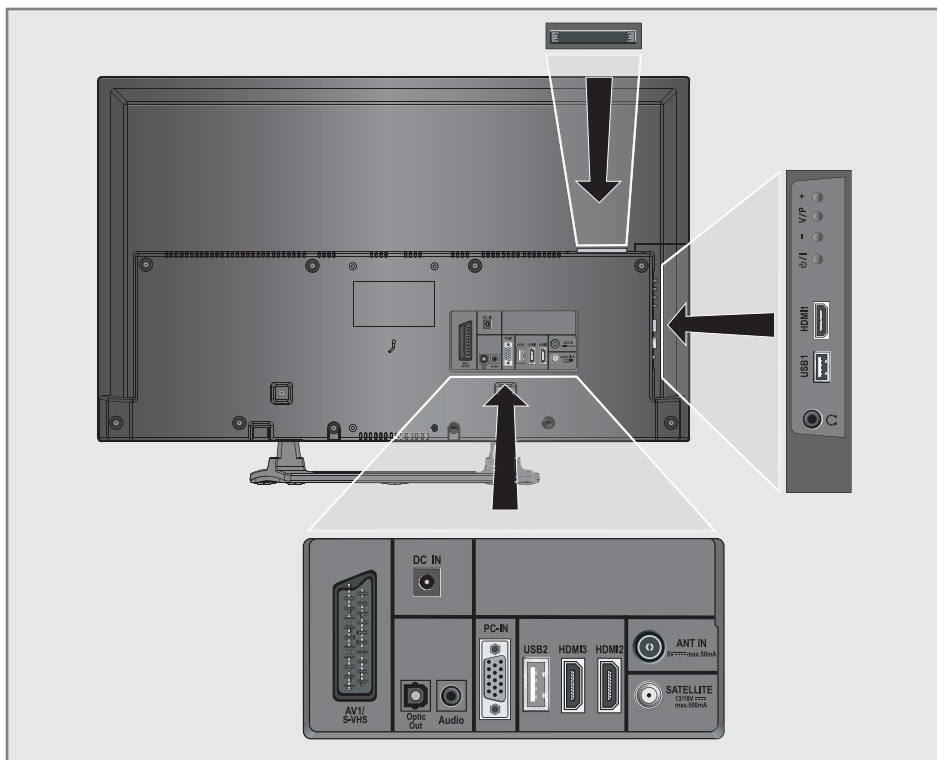


Connect the corresponding input sources (e.g. HDTV receiver or HD-DVD player) to the »HDMI« sockets (for digital HDTV sources).

This ensures that you can view digital HDTV programmes, even if they are copy-protected (HDCP High Bandwidth Digital Content Protection), without encountering problems.

## Connection options

- Which television socket(s) you connect your external devices to depends on the sockets the external device is equipped with and the signals which are available.
- Please note: With many external devices, the resolution of the video signal must be adjusted to the input sockets of the television (see the operating manual of the external device). You can find out which values you need to set by referring to the guidelines in the sections about the various connection options.
- Do not connect any other equipment while the device is switched on. Also switch off the other equipment before connecting it.
- Do not plug in the power cord of the device until you have connected the external equipment and the antenna.



# OPERATION USING EXTERNAL DEVICES

## Connecting external devices

### ... with digital audio/video signals

- Suitable devices: Digital satellite receivers, Playstation, BluRay player, DVD player/recorder, set-top box, notebook, PCs.
- Video signal: Digital video; resolution: standard 576p; HDTV 720p, 1080i, 1080p.
- Audio signal: digital audio (stereo, multi-channel compression, uncompressed).
- Presets »HDMI 1«, »HDMI 2« or »HDMI3«.

- 1 Connect the »HDMI1«, »HDMI2« or »HDMI3« socket on the television and the corresponding HDMI socket on the external device using a standard HDMI cable (digital video and audio signal).

### ... with analogue video signal (progressive)

- Suitable devices: DVD recorders/players, games consoles.
- Video signal: YUV; resolution: standard 576p; HDTV 720p, 1080i, 1080p.
- Audio signal: stereo, analogue.
- »Component« preset.

- 1 Connect the »PC-IN« socket on the television and the corresponding socket on the external device using a VGA-YBPBR adapter cable (video signal).
- 2 Connect the »Audio« sockets on the television to the corresponding sockets of the external device with a suitable cable (audio signal).

### ... using the SCART socket (CVBS/RGB signal)

- Suitable devices: Digital satellite receiver, DVD player/recorder, set-top box, games console, video recorder, decoder.
- Video signal: CVBS/RGB.
- Audio signal: stereo, analogue.
- »AV1« preset.

- 1 Connect the »AV1/S-VHS« socket on the television and the corresponding socket on the external device using a SCART cable (video and audio signal).

### Activating a decoder

If a decoder is connected to the »AV1/S-VHS« socket, this must be activated to provide an unencrypted video/audio signal.

- 1 Open the menu with »MENU«.
- 2 Select »SETTINGS« with »V« or »^« and press »OK« to confirm.  
– The »SETTINGS« menu appears.
- 3 Select the »Decoder« with »V« or »^«.
- 4 Activate the function with »<« or »>« (»On«).
- 5 Press »EXIT« to end the setting.

### ... with S-Video signal

- Suitable devices: DVD player/recorder, video recorder, camera recorder, notebook, PC.
- Video signal: Y/C.
- Audio signal: stereo, analogue.
- »S-VHS« preset.

- 1 Connect the »AV1/S-VHS« socket on the television and the corresponding socket on the external device using an EURO/AV cable (video and audio signal).

# OPERATION USING EXTERNAL DEVICES \_\_\_\_\_

## Using a DVD player, DVD recorder, video recorder or set-top box

- 1 Switch on the external device and select the function you wish to use.
- 2 Press **»→»**, use **»V«**, **»^«**, **»<«** or **»>«** to select the preset for the input signal (**»AV1«**, **»AV2«**, **»S-VHS«**, **»HDMI1«**, **»HDMI2«**, **»HDMI3«** or **»Component«**) and press **»OK«** to confirm.

## Headphones

### Connecting the headphones

- 1 Plug the headphone jack (3.5 mm ø jack plug) into the headphone socket on the left side of the television.

### Changing the headphone volume

- 1 Open the menu with **»MENU«**.
- 2 Select the menu item **»SOUND SETTINGS«** with **»V«** or **»^«** and press **»OK«** to confirm.
  - The **»SOUND SETTINGS«** menu appears.
- 3 Select the menu item **»Audio Output Setup«** with **»V«** or **»^«** and press **»OK«** to confirm.
  - The **»Audio Output Setup«** menu appears.
- 4 Select the line **»Headphone«** with **»V«** or **»^«**.
- 5 Set the preferred volume with **»<«** and **»>«**.
- 6 Press **»EXIT«** to end the setting.

#### Note:

- Prolonged listening with headphones at loud volumes can damage your hearing.

# OPERATION USING EXTERNAL DEVICES

## Hi-fi system/AV receiver

### Connecting the hi-fi system/ AV receiver

- 1 Connect the »Optic Out« socket on the television to the corresponding socket of the device with an optical digital cable (digital audio signal).

### Setting the audio format

You can select whether the audio signal output via the »Optic Out« socket should be in the PCM or AC2 format.

- 1 Open the menu with »MENU«.
- 2 Select the menu item »SOUND SETTINGS« with »V« or »^« and press »OK« to confirm.  
– The »SOUND SETTINGS« menu appears.
- 3 Select »Audio Output Setup« with »V« or »^« and press »OK« to confirm.  
– The menu appears.
- 4 Select the »Optic Out« with »V« or »^«.
- 5 Select the preferred audio format (»PCM« or »Auto«) with »<« or »>«.

#### Note:

- If you wish to output the audio only via a multi-channel amplifier/AV receiver, set the option »TV Speaker« to »Off« in the menu.
- 6 Press »EXIT« to end the setting.

## Playing the audio signal via the HiFi system

- 1 Connect the »⌚« socket on the television to the corresponding socket of the AV receiver with an cable (digital audio signal).

#### Note:

- If this function is not activated, the audio signal is transmitted to the HiFi system/AV receiver (connected to »⌚« 3.5 mm ø jack plug) into the headphone socket on the left side of the television.

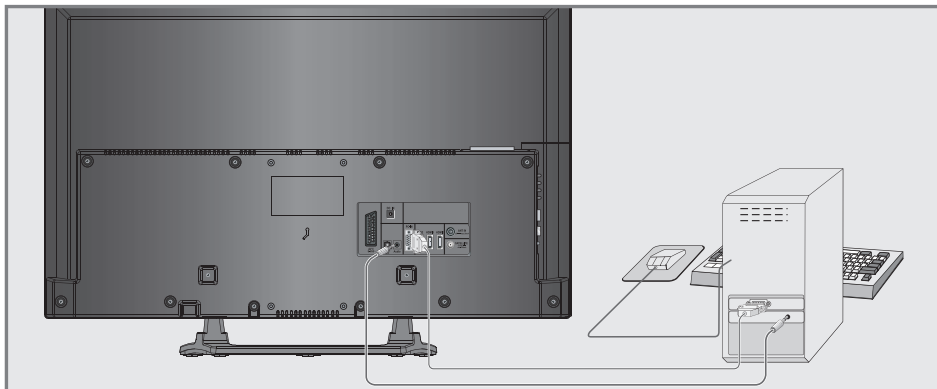
- 1 Open the menu with »MENU«.
- 2 Select the menu item »SOUND SETTINGS« with »V« or »^« and press »OK« to confirm.  
– The »SOUND SETTINGS« menu appears.
- 3 Select »Audio Output Setup« with »V« or »^« and press »OK« to confirm.  
– The menu appears.
- 4 Select the line »Audio Out« with »V« or »^« and press »<« or »>« to activate the audio output (»Line Out«).
- 5 Select the line » Audio Out Status« with »V« or »^« and select the option »Fixed« or »Adjustable« with »<« or »>«.

#### Notes:

- If you select »Adjustable«, the volume can be changed in the menu option » Audio Out Volume«.
  - If the audio should only be output via the HiFi system/AV receiver, select the option »Off« in the line »TV Speaker« with »<« or »>«.
- 6 Press »EXIT« to end the setting.

Manufactured under license from Dolby Laboratories. Dolby and the double-D symbol are trademarks of Dolby Laboratories.

# OPERATION AS A PC MONITOR




## Connecting a PC

- 1 Connect the »PC-IN« socket on the television to the corresponding socket on the PC using a VGA cable (video signal).
- 2 Connect the »Audio« socket on the television to the corresponding socket on the PC using a suitable cable (audio signal).

### Note:

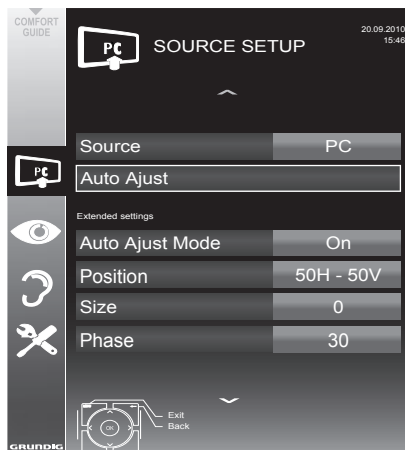
- Adjust your PC to the monitor (for example, picture resolution 1280 x 768, picture frequency 60 Hz).

## Selecting presets for the PC

- 1 Press »« and use »V«, »^«, »<« or »>« to select the preset »PC« and press »OK« to confirm.

## Settings for PC mode

- 1 Open the menu with »MENU«.
- 2 Select the line »SOURCE SETUP« item with »V« or »^« and press »OK« to confirm.  
- The »SOURCE SETUP« menu appears.
- 3 Select the function or setting with »V« or »^«, and then use »V«, »^« or »<«, »>« to implement it.

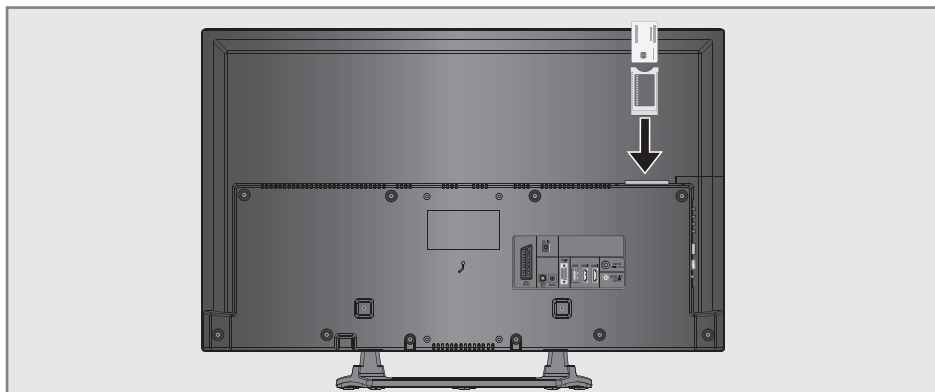


### Options:

- »Auto Ajust« for automatic PC configuration.
- »Auto Ajust Mode«, select the option »On« if the configuration should be implemented automatically in PC mode.
- »Position« to configure the horizontal and vertical picture position.
- »Size« to set the cycle frequency.
- »Phase« to eliminate flicker, unfocused pictures or horizontal interference.

- 4 Press »EXIT« to end the setting.

# OPERATION WITH A COMMON INTERFACE



## What is a Common Interface?

- Common Interface (CI) is an interface for DVB receivers.
- Encrypted channels can only be viewed with a CA module suitable for the encryption system and in conjunction with the corresponding smart card.
- The television set is equipped with a Common Interface slot into which CI modules from various providers can be inserted.
- You can insert the provider's smart card into the CA module in order to enable the encrypted channels you wish to view.

## Inserting the CA module

### Note:

- Switch the device off before you insert a CA module into the »CI« slot.
- 1 Insert the corresponding smart card into the CI module.
  - 2 Insert the CI module with the smart card into the »CI« slot on the television.

### Note:

- In the »CA Module« sub-menu you can see which CA module has been inserted in the CI slot.
- If you are inserting a CA module into the CI slot of the television for the first time, you will need to wait a moment until the CA module is detected.

## Access control for CI module and smart card

- 1 Open the menu with »MENU«.
- 2 Select the menu item »SOURCE SETUP« with »▼« or »▲« and press »OK« to confirm.  
- The »SOURCE SETUP« menu appears.
- 3 Select the line »CA-Module« with »▼« or »▲« and press »OK« to confirm.

### Notes:

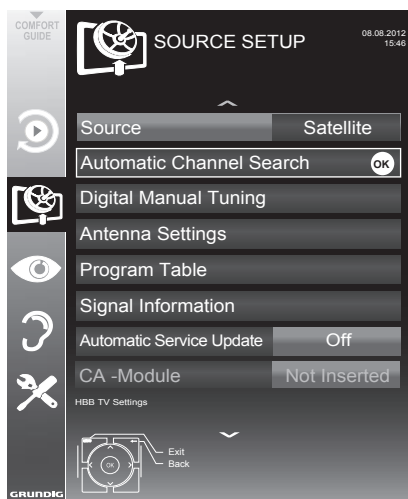
- This menu provides operating instructions and – after you enter your PIN code – access to the PAY-TV provider's channels.
  - The remaining settings are described in the operating manuals for your CI module and smart card.
  - The CA modul is not supported in certain countries and regions; please consult your authorised dealer.
- 4 Press »EXIT« to end the setting.

## Searching for digital television channels from a satellite automatically

Satellite data changes frequently, new channels are constantly being added. You should therefore perform an automatic search from time to time.

This searches all transponders for new channels.

- 1 Open the menu with »MENU«.
- 2 Select the menu item »SOURCE SETUP« with »▼« or »▲« and press »OK« to confirm.  
- The »SOURCE SETUP« menu appears.



- 3 Select the line »Source« with »▼« or »▲« and press »OK« to confirm.  
Select the input source »Satellite« with »◀«, »▶«, »▼« or »▲« and press »OK« to confirm.
- 4 Select the line »Automatic Channel Search« with »▼« or »▲« and press »OK« to confirm.  
- The menu appears.
- 5 Select the line »Select Satellites« with »▼« or »▲« and press »OK« to confirm.  
- The »SELECT SATELLITE« menu appears.
- 6 Select a satellite with »▼« or »▲« and press »OK« to confirm.

- 7 Select the line »Scan Mode« with »▼« or »▲«.  
Select the scan mode with »◀« or »▶« (for unencrypted channels, for encrypted channels only, or both).
- 8 Select the line »Service Type« with »▼« or »▲«.  
Use »◀« or »▶« to select whether you want to search for television channels (TV) only, radio stations only (Radio) or both (Radio + TV).
- 9 Select the line »Network Search« with »▼« or »▲«.  
Select the option »On« with »◀« or »▶«  
- If the »Network Search« is set to »On«, the data will be accessed via the new transponder of the network which has been set.
- 10 Start the scan with »•« (red).

### Note:

- If the previously stored channels should be retained in the channel list and the new channels found be added to it, then press »••« (green).  
If »•« (red) is pressed, the saved channels will be deleted from the current channel list.  
- The »Results« menu appears, and the scan for TV channels begins.  
- Depending on the number of television channels received, this can easily take a few minutes.  
- The search is complete as soon as the »PROGRAM TABLE« appears.

### Note:

- You can abort the search by pressing »EXIT«.

- 11 Press »EXIT« to end the setting.

# SPECIAL SETTINGS

## Searching for digital television channels from a satellite manually

If you know the parameters of a new television channel, you can also search for it manually. Current transponder data can be found in the teletext, in satellite TV magazines or on the Internet.

- 1 Open the menu with **»MENU«**.
- 2 Select the menu item **»SOURCE SETUP«** with **»V«** or **»^«** and press **»OK«** to confirm.
  - The **»SOURCE SETUP«** menu appears.
- 3 Select the line **»Digital Manual Tuning «** with **»V«** or **»^«** and press **»OK«** to confirm.
  - The menu appears.
- 4 Select the line required for the parameters with **»V«** or **»^«**.
  - **»Frequency (MHz)«**: Enter the five-digit frequency with **»1 ... 0«**.
  - **»Symbol Rate (kS/s)«**: Enter the five-digit symbol rate with **»1 ... 0«**.
  - **»Polarization«**: Use **»<«** or **»>«** to set the polarisation to **»Horizontal«** or **»Vertical«**.
  - **»Network Search«**: use **»<«** or **»>«** to select the option **»On«** or **»Off«**.
  - **»Scan Mode«**: Use **»<«** or **»>«** to select whether you want to search for unencrypted (Unencrypted) channels only, encrypted (Encrypted) channels only, or for both (Unencrypted + Encrypted).
  - **»Service Type«**: Use **»<«** or **»>«** to select whether you want to search for television channels only (TV), radio stations only (Radio), or both (Radio + TV).
- 5 Start the scan with **»\*«** (red).
  - The **»Results«** menu appears, and the scan for TV channels begins.

### Note:

- You can abort the search by pressing **»EXIT«**.
- 6 Press **»EXIT«** to end the setting.

## LNB settings

### Notes:

- The following description about the LNB settings premise a substantial expertise about the satellite systems. Ask your specialist dealer.

- Your TV supports SCR system (Satellite Channel Router). If you are using SCR satellite system, follow the steps described in **»LNB Type«** section.

- 1 Open the menu with **»MENU«**.
- 2 Select the menu item **»SOURCE SETUP«** with **»V«** or **»^«** and press **»OK«** to confirm.
  - The **»SOURCE SETUP«** menu appears.
- 3 Select the line **»Antenna Settings«** with **»V«** or **»^«** and press **»OK«** to confirm.
  - The **»ANTENNA SETTINGS«** menu appears.
- 4 Select the line required for the parameters with **»V«** or **»^«**.
  - **»Satellite«**: **»Press OK«**, select a satellite with **»<«, »>«, »V«** or **»^«** and press **»OK«** to confirm.
  - **»Transponder«**: **»Press OK«**, select a transponder with **»<«, »>«, »V«** or **»^«** and press **»OK«** to confirm. Use **»\*«** (red) to add a transponder, use **»\*\*«** (green) to delete it, or use **»\*\*\*«** (yellow) to change transponder data.
  - **»LNB Power«**: Set the LNB power supply (depending on the type of LNB) to **»Off«**, **»13/18 V«** or **»14/19 V«** with **»<«** or **»>«**.
  - **»LNB Type«**: Select the LNB type used in the satellite system with **»<«** or **»>«**. If you are using a satellite antenna with an Single Cable Distribution multiswitch, select the setting **»Grundig SCR«**. After it, please perform the **»User Band«, »KB Frequency«** and **»LNB Selection«** settings in the submenus. The necessary parameters you will get from the operator of the satellite antenna. Use only this specification!
  - **»LNB Selection«**: If more than one satellites are used in the current SCR system, select **»1/2«** to **»2/2«** for the satellite corresponding to the relevant positions using **»<«** or **»>«** buttons.

## Notes:

- Use installation equipment supported / suggested by your Multiswitch.
  - Other users / receivers connected to the system may be affected if the specified user band number and frequency is changed during installation.
  - User band and User band frequency is specified on the Multiswitch used; and each user / receiver uses a specified user band and user band frequency.
  - With SCR satellite system, auto search by several users / receivers at the same time may cause problems.
    - »22 KHz«: Depending on the LNB type, 22 kHz audio is selected. For a universal LNB, this option is set to »Auto« and cannot be changed.
    - »DiSEqC mode« and »LNB selection«: depending on the type of antenna used, use »◀« or »▶« select the option »Off«, »DiSEqC 1.0« or »DiSEqC 1.1«.
      - »Off«: for a satellite system with only one antenna.
      - »DiSEqC 1.0«: allows up to four satellites to be received simultaneously. Under »LNB selection«, use »◀« or »▶« to select the option »1/4«, »2/4«, »3/4« or »4/4«.
      - »DiSEqC 1.1«: allows up to 16 satellites to be received simultaneously. Under »LNB selection«, use »◀« or »▶« to select the option »1/16« to »16/16«.
- 5 Press »EXIT« to end the setting.

## Settings for motorised antennas (DiSEqC 1.2)

Your television set supports motorised satellite systems in compliance with DiSEqC 1.2. This function allows the satellite antenna to be operated via the television set.

- 1 Open the menu with »MENU«.
- 2 Select the menu item »SOURCE SETUP« with »▼« or »▲« and press »OK« to confirm.
  - The »SOURCE SETUP« menu appears.
- 3 Select the line »Antenna Settings« with »▼« or »▲« and press »OK« to confirm.
- 4 Select the line »DiSEqC Mode« with »▼« or »▲«. Select the option »DiSEqC1.2« with »◀« or »▶«
  - The line »DiSEqC 1.2 SETTINGS« is active.

## Notes:

- Additional operations are explained in the following sections.
- The following description about the DiSEqC 1.2 settings premise a substantial expertise about the satellite systems. Ask your specialist dealer.

# SPECIAL SETTINGS

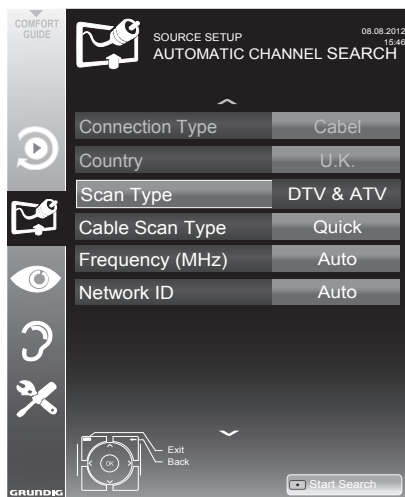
## DiSEqC 1.2 Settings

You can adjust the alignment of the satellite antenna to each individual satellite. These settings will be saved so that the antenna can later be easily guided to each saved alignment.

- 1 Select the line »DiSEqC 1.2 SETTINGS« with »**V**« or »**^**« and press »**OK**« to confirm.
  - The »DiSEqC 1.2 SETTINGS« menu appears.
- 2 Select the preferred option with »**V**« or »**^**«.
  - »Transponder«: »Press **OK**«, select the transponder from which the signal is being received with »**<**«, »**>**«, »**V**« or »**^**« and press »**OK**« to confirm.
  - »Moving Mode«: Use »**<**« or »**>**« to select the option »Discrete« or »Continuous«.
    - »Discrete«: Moves the antenna in defined steps to the west and the east.
    - »Continuous«: Moves the antenna to the west or east continuously.
  - »Step Size«: Use »**<**« or »**>**« to select the number of steps with which the antenna should turn. »Step Size« is only active when the »Transport Mode« was set to »Discrete«.
  - »Move Motor«: Aligns the antenna with the selected satellite. Use »**<**« to align it to »West«, use »**>**« to align it to »East«.
  - »Go To Stored Position«: Aligns the antenna to a saved satellite position. Up to 50 positions can be saved. »Press **OK**« and then select the saved position with »**<**« or »**>**«. Press »**•••**« (green) to confirm - the antenna will be aligned with the saved position.
  - »Store Stored Position«: The current antenna alignment is saved.
  - »Limit Position«: Defines the range in which the antenna may move. Use »**<**« to set the western limit, use »**>**« to set the eastern limit.
  - »Reset DiSEqC 1.2 Limit«: Resets the limit position of the antenna.
- 3 Press »**EXIT**« to end the setting.

## Searching for television channels from the cable provider automatically

- 1 Open the menu with »**MENU**«.
- 2 Select the menu item »SOURCE SETUP« with »**V**« or »**^**« and press »**OK**« to confirm.
  - The »SOURCE SETUP« menu appears.
- 3 Select the line »Source« with »**V**« or »**^**« and press »**OK**« to confirm. Select the option »Cable« with »**<**«, »**>**«, »**V**« or »**^**« and press »**OK**« to confirm.
- 4 Select the line »Automatic Channel Search« with »**V**« or »**^**« and press »**OK**« to confirm.
  - The menu appears.



- 5 Select the line »Scan Typ« with »**V**« or »**^**« and set the option »DTV« with »**<**« or »**>**«.
- 6 Select the line »Cable Scan Type« with »**V**« or »**^**« and set the option »Quick« or »Full« with »**<**« or »**>**«.
  - The search function »Quick« sets the channels according to the information provided by your cable provide in the transmission signal.
  - If the option »Full« is selected, the entire frequency range will be scanned. The search can take a long time with this option. This option is recommended if your cable provider does not support the search type »Quick«.

## Note:

- You can accelerate the search. To do this, you need information about the frequency and network ID. You are usually able to get this data from your cable operator or find it in forums on the Internet. For example, the frequency 402MHz and network ID 61441 can be entered for Germany.
- 7 Start the scan with »\*« (red).
- All channel and favourites lists will be deleted and compiled anew.

## Note:

- After starting the scan, a security query will appear. Press »♦♦« (green) to confirm the option »Yes«.
- The »Results« menu appears, and the scan for TV channels begins. Depending on the number of television channels received, this can easily take a few minutes.
- The scan is complete as soon as the »PROGRAM TABLE« appears.

## Note:

- You can abort the search by pressing »EXIT«.
- 8 Press »EXIT« to end the setting.

## Searching for television channels from the cable provider manually

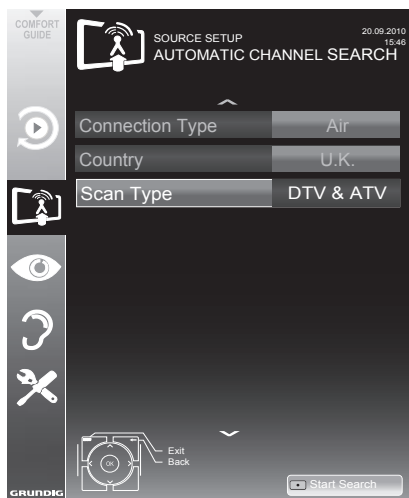
- 1 Open the menu with »MENU«.
- 2 Select the menu item »SOURCE SETUP« with »V« or »^« and press »OK« to confirm.
  - The »SOURCE SETUP« menu appears.
- 3 Select the line »Source« with »V« or »^« and press »OK« to confirm.  
Select the option »Cable« with »<«, »>«, »V« or »^« and press »OK« to confirm.
- 4 Select »Digital Manual Tuning« with »V« or »^« and press »OK« to confirm.
  - The menu appears.
- 5 Enter the four-digit frequency with »1 ... 0«.
  - The search starts after confirming, the channels found are displayed in the »Results« menu.
- 6 Press »EXIT« to finish the setting.

## Searching for digital terrestrial TV channels automatically

- 1 Open the menu with **»MENU«**.
- 2 Select the menu item **»SOURCE SETUP«** with **»V«** or **»^«** and press **»OK«** to confirm.
  - The **»SOURCE SETUP«** menu appears.
- 3 Select the line **»Source«** with **»V«** or **»^«** and press **»OK«** to confirm.  
Select the option **»Air«** with **»<«, »>«, »V«** or **»^«** and press **»OK«** to confirm.

### Caution:

- The antenna power supply (line **»Active Antenna Power«**) may only be switched on if the antenna is an active indoor antenna with a signal amplifier and it is not already supplied with a voltage via a mains plug (or similar supply). Otherwise you may cause a short circuit and irreparably damage your antenna.
- 4 Select the **»Active Antenna Power«** with **»V«** or **»^«**. Switch on the antenna power supply for the antenna with **»<«** or **»>«** (**»On«**).
  - 5 Select the line **»Automatic Channel Search«** with **»V«** or **»^«** and press **»OK«** to confirm.
    - The menu appears.



- 6 Select the line **»Scan Typ«** with **»V«** or **»^«** and set the option **»DTV«** with **»<«** or **»>«**.
- 7 Start the scan with **»•«** (red).
  - All channel and favourites lists will be deleted and compiled anew.

### Note:

- After starting the scan, a security query will appear. Press **»••«** (green) to confirm the option **»Yes«**.
  - The **»Reults«** menu appears, and the scan for TV channels begins. Depending on the number of television channels received, this can easily take a few minutes.
  - The scan is complete as soon as the **»PROGRAM TABLE«** appears.

### Note:

- You can abort the search by pressing **»EXIT«**.
- 8 Press **»EXIT«** to end the setting.

## Automatic service update

If this function is activated, possible changes of network operators are updated automatically.

The unit must be located in stand-by mode.

- 1 Open the menu with **»MENU«**.
- 2 Select the menu item **»SOURCE SETUP«** with **»V«** or **»^«** and press **»OK«** to confirm.
- 3 Select the line **»Automatic Service Update«** with **»V«** or **»^«**.
- 4 Select the automatic update with **»<«** or **»>«** (**»On«**).
- 5 Press **»EXIT«** to end setting.

## Searching for digital terrestrial TV channels manually

- 1 Open the menu with **»MENU«**.
- 2 Select the menu item **»SOURCE SETUP«** with **»V«** or **»^«** and press **»OK«** to confirm.  
– The **»SOURCE SETUP«** menu appears.
- 3 Select the line **»Source«** with **»V«** or **»^«** and press **»OK«** to confirm.  
Select the option **»Air«** with **»<«, »>«, »V«** or **»^«** and press **»OK«** to confirm.

### Caution:

- The antenna power supply (line **»Active Antenna Power«**) may only be switched on if the antenna is an active indoor antenna with a signal amplifier and it is not already supplied with a voltage via a mains plug (or similar supply). Otherwise you may cause a short circuit and irreparably damage your antenna.
- 4 Select the **»Active Antenna Power«** with **»V«** or **»^«**. Switch on the antenna power supply for the antenna with **»<«** or **»>«** (**»On«**).
  - 5 Select **» Digital Manual Tuning«** with **»V«** or **»^«** and press **»OK«** to confirm.  
– The menu appears.
  - 6 Enter the channel number directly with **»1 ... 0«**.  
– After the search is complete, the channels found are displayed in the **»Results«** menu.
  - 7 Press **»EXIT«** to finish the setting.

## Tuning analogue television channels

This setting is only necessary if you cannot receive any digital channels and you have not carried out an analogue search during initial setup. The television channels can be set directly or using the scan.

## Switching the television to analogue reception

### Note:

- Analogue channels can be selected if the option **»Air«** or **»Cable«** has been selected.

- 1 Open the **»Select input source«** menu with **»→□«**.
- 2 Depending on the antenna system, select the option **»Air«** or **»Cable«** with **»V«, »^«, »<«** or **»>«** as the input source and press **»OK«** to confirm.

### Note:

- Additional operations are explained in the following sections.

## Setting all analogue television channels

Analogue channels are displayed in the channel list after the digital channels.

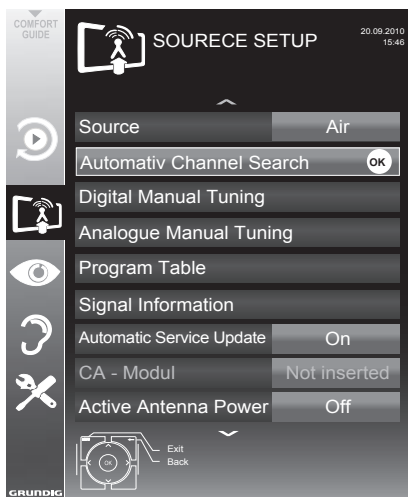
### Note:

- Plug the rooftop antenna cable (for analogue television channels) into the **»ANT IN«** socket on the television.

- 1 Open the menu with **»MENU«**.
- 2 Select the menu item **»SOURCE SETUP«** with **»V«** or **»^«** and press **»OK«** to confirm.  
– The **»SOURCE SETUP«** menu appears.
- 3 Select the line **»Source«** with **»V«** or **»^«** and press **»OK«** to confirm.  
Select the option **»Air«** or **»Cable«** with **»<«, »>«, »V«** or **»^«** and press **»OK«** to confirm.

# SPECIAL SETTINGS

- 4 Select the line »Automatic Channel Search« with »▼« or »▲« and press »OK« to confirm.



- 5 Select the line »Scan Typ« with »▼« or »▲« and set the option »ATV« with »◀« or »▶«.
- 6 Start the scan with »•« (red).

## Note:

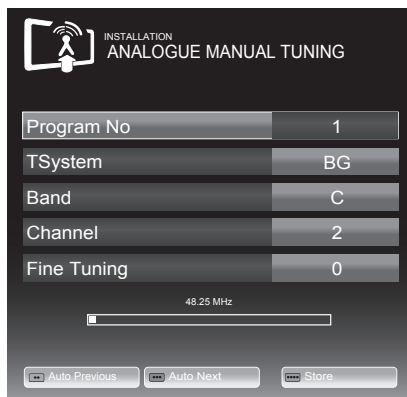
- After starting the scan, a security query will appear. Press »••« (green) to confirm the option »Yes«.
  - All channel and favourites lists for the analogue channels will be deleted and compiled anew.
  - The »Results« menu appears, and the scan for TV channels begins. Depending on the number of television channels received, this can easily take a few minutes.
  - The search is complete as soon as the »PROGRAM TABLE« appears.

## Note:

- You can abort the search by pressing »EXIT«.
- 7 Press »EXIT« to end the setting.

## Tuning the television channels by entering the channel numbers

- 1 Open the menu with »MENU«.
- 2 Select the menu item »SOURCE SETUP« with »▼« or »▲« and press »OK« to confirm.
  - The »SOURCE SETUP« menu appears.
- 3 Select the line »Analogue Manual Tuning« with »▼« or »▲« and press »OK« to confirm.
  - The menu appears.



- 4 Select the line »Program No« by pressing »▼« or »▲« and use »◀« or »▶« to save the preset.
- 5 Select »Band« by pressing »▼« or »▲« and use »◀« or »▶« to choose between »S« (special channel) or »C« (normal channel).
- 6 Select the line »Channel« with »▼« or »▲« and enter the channel number with »◀« or »▶« step by step, or use »1...0« to enter the channel number directly, or start a automatic scan with »••« (green) oder »•••« (yellow).

## Notes:

- The current system is displayed in the »System« line. If the colour or sound is not functioning properly, select the line »System« with »▼« or »▲«. Use »◀« or »▶« to select the preferred setting.
  - If fine tuning is necessary, select the line »Fine Tuning« with »▼« or »▲« and use »◀« or »▶« to make the setting.
- 7 Press »••••« (blue) to save the setting.

# SPECIAL SETTINGS

## Note:

- If you wish to remedy other television channels, repeat steps 4 to 7.

- 8 Press »EXIT« to end the setting.

## Changing stored analogue channels

If channels were stored with the automatic channel search while tuning the television channels, you can delete them. You can also store channels in a different preset, change or enter the name of a channel as well as skip channels.

### Selecting a channel list

- 1 Open the menu with »MENU«.
- 2 Select the menu item »SOURCE SETUP« with »V« or »^« and press »OK« to confirm.  
- The »SOURCE SETUP« menu appears.
- 3 Select the line »Program Table« with »V« or »^« and press »OK« to confirm.  
- The »PROGRAME TABLE« menu appears.

## Note:

- Additional operations are explained in the following sections.

### Deleting channels

- 1 In the »PROGRAME TABLE« menu, select the television channel to be deleted with »V«, »^«, »<« or »>« and press »\*« (red) to confirm.
- 2 Delete the selected channel by pressing »\*\*\*« (yellow).

## Note:

- »\*\*\*\*« (blue) allows all television channels to be deleted.
- 3 Press »\*\*« (green) to confirm the deletion process.

## Entering channel names (8 digit maximum)

- 1 In the »PROGRAME TABLE« menu, select the television channel with »V«, »^«, »<« or »>« and press »\*« (red) to confirm.
- 2 Open the input keyboard with »\*\*« (green).

## Note:

- If necessary, delete the current channel name. To do this, select the »x« button with »<« or »>« and delete repeatedly using »OK«.
- 3 Select the required letters or numbers with »V«, »^«, »<« or »>« and confirm with »OK«.  
Repeat the entry for further letters/numbers.

## Note:

- Use the »ABC« button to switch to upper case letters and use the »?@123« button to switch to symbols and numbers.
- 4 Save the channel name by using »V«, »^«, »<« or »>« to select »Submit« and confirm with »OK«.

## Note:

- If you wish to enter other channel names, repeat steps 1 to 4.

## Skipping television channels

You can highlight television channels to be skipped when you select with »^« or »V«. Selection is still possible using the number buttons.

- 1 In the »PROGRAME TABLE« menu, switch over to the list view with »\*\*\*« (yellow).
- 2 Select the preferred channel with »V« or »^«.
- 3 Select the column »Skip« with »<« or »>« and use »OK« to mark the channel.  
- The channel is marked using »✓«.

## Note:

- Channels can also be reactivated. Select the channel with »V« or »^«, then select the column »Skip« and reactivate the channel with »OK«.

# SPECIAL SETTINGS

---

## Creating lists of favourites

You can select your favourite channels and save them in up to four favourites lists (Fav 1 to Fav 4).

- 1 In the »PROGRAME TABLE« menu, switch over to the list view with »♦♦♦« (yellow).
- 2 Select the preferred channel with »▼« or »▲«.
- 3 Use »◀« or »▶« to "push" the channel into one of the favourites lists 1 to 4 and press »OK« to confirm.
  - The position in the favourites list is marked with »✓«.
  - You can enter the same channel in more than one favourite list.
  - Each favourite list can store up to 250 channels.

### Note:

- Channels can also be deleted from favourites lists. Select the channel to be deleted with »▼«, »▲«, »◀« or »▶« and delete it with »OK«.

## Exiting the settings

- 1 Press »EXIT« to end the setting.

## Displaying signal information

(for digital channels only)

- 1 Open the menu with »MENU«.
- 2 Select the menu item »SOURCE SETUP« with »▼« or »▲« and press »OK« to confirm.
- 3 Select the line »Signal Information« with »▼« or »▲« and press »OK« to confirm.
  - Information on the channel, network, modulation, symbol rate, quality and signal strength is displayed.

### Notes:

- The signal information changes in accordance with the current input source.
  - The signal properties are displayed in the lower section of the menu. The further the bars for »Quality« and »Signal Strength« extend to the right, the better the reception signal.
  - The signal level not only depends on your receiver system, but also on the channel which is currently active. Remember this when aligning your antenna based upon the signal level display.
- 4 Press »EXIT« to close the menu.

# INFORMATION

---

## Product Fiche

### GRUNDIG 32 VLE 5401 BG

#### Energy Efficiency class:

A

#### Screen size:

80 cm/32 inch

#### Power consumption:

On mode 41 W / 57 W max.

#### Annual power consumption

60 kWh

#### Stand-by power consumption

< 0.50 W

#### Maximum resolution:

WXGA, 1366 x 768

## Other information

#### Operating voltage:

Input: 220-240 V,~, 50-60 Hz

Output: 19V / 3 A max.

#### Screen (dm<sup>2</sup>):

28 dm<sup>2</sup>

#### Audio output:

2 x 20 W music power output

2 x 10 W Sine wave power.

#### Rohs Limits: Pb (Lead)/Hg (Mercury)

Pb meets ROHS directive / 0 mg

#### Peak luminance ratio:

65 %

#### Default satellite:

20

#### LNB power supply:

13/18 V, 14/19 V optional, maximum 500 mA

#### LNB switching signal:

0/22 kHz 650mV +/- 250mVpp

#### DiSEqC:

1.0-operation, 1.1-operation, 1.2-operation

## Digital reception ranges

### Satellite:

Ku band: 10,700 MHz - 12,750 MHz

Modulation: DVBS QPSK, DVBS2 QPSK,  
8 PSK

IF band: 950 MHz - 2,150 MHz

Signal level: -25dBm to -65 dBm

### Cable:

Overall band: 110 MHz - 862 MHz

Modulation: 16QAM, 32QAM, 64QAM,  
128QAM and 256QAM

Symbol rate: 4.0 Msym/s to 7.4 Msym/s

### Terrestrial (DVB-T):

VHF/UHF band, Bandwidth 7 MHz  
and 8 MHz

FFT Size: 2k, 8k

Modulation: 16QAM, 64QAM, QPSK

Guard Interval: 1/4, 1/8, 1/16, 1/32

### Terrestrial (DVB-T2):

VHF/UHF band, Bandwidth 7 MHz  
and 8 MHz

FFT Size: 1k, 2k, 4k, 8k, 16k, 32k

Modulation: 16QAM, 64QAM,  
256QAM, QPSK

Guard Interval: 1/4, 19/256, 1/8, 19/128,  
1/16, 1/32, 1/128

As this feature is optional, it is not available in all products.

## Analogue reception ranges:

C02 ... C80, special channels S01 ... S41

## Preset channels:

All Channels 6000 (Satellite - DVB-S/S2),

1000 (Cable - DVB-C) or

99 (Analogue)

1000 (Terrestrial - DVB-T) or

99 (Analogue)

7 AV, 2 USB

## Weight:

approx. 6 kg

## Dimensions:

W H D 73 cm x 45 cm x 4.5 cm

Technical changes and errors reserved.

## Service information for dealers



The product complies with the following EU directives and regulations:

2006/95/EC: Directive on the harmonisation of the laws of Member States relating to designed for use within certain voltage limits.

2004/108/EC: Directive relating to electromagnetic compatibility.

2009/125/EC: Ecodesign requirements for energy-using products;  
Implementing Reg (EC) No 642/2009: Ecodesign requirements for Televisions;  
Implementing Reg (EC) No 278/2009: Ecodesign requirements for no-load condition electric power consumption and average active efficiency of external power supplies. (for models with AC/DC external adaptor)

2010/30/EU: Directive on the indication by labelling and standard product information of the consumption of energy and other resources by energy-related products;  
Supplementing Reg (EC) No 1062/2010 Energy Labelling of televisions.

2011/65/EU: Restriction of the use of certain hazardous substances in electrical and electronic equipment.

## Environmental note



This product has been made from high-quality parts and materials which can be re-used and recycled.

Therefore, do not dispose of the product along with normal household waste at the end of its service life. Take it to a collection point for the recycling of electrical and electronic equipment. Dispose of the used device at a collection point for electrical and electronic equipment. The symbol on the product, in the operating manual or on the packaging indicates that recycling is possible.

Information on collection points is available from your local authorities.

Help protect the environment by recycling used products.

## Note for the Product Package

Packaging materials of your product are recyclable. Please ensure that packaging materials of your product are disposed of separately in accordance with the regulations set by the local authorities in order to have the packaging materials included in the environmental friendly recycling process.

# INFORMATION

## Troubleshooting

If the information provided below does not help, please consult an authorised GRUNDIG dealer. Please bear in mind that malfunctions can also be caused by external devices such as video recorders or satellite receivers.

Problem	Possible cause	Remedy
Screen lit (snow), but no station visible	Antenna cable	Is the antenna cable connected?
	No TV channel tuned	Start a channel scan
Insufficient contrast in picture	The picture settings are not correct	Adjust the brightness, contrast or colour setting
	Problem at station	Try another channel
Picture and/or sound distorted	Interference from other devices	Place the device in a different position
Ghosting, reflection	Channel setting	Automatic or manual tuning/fine tuning
	Antenna	Have antenna cable or system checked
No colour	Colour intensity too low	Turn up the colour
	Adjust TV standard (if setting option is available)	Select the correct colour standard
	Problem at station	Try a different channel
Picture but no sound	Volume is set to a minimum	Turn up or switch on the volume
Teletext impaired or absent	Problem at station	Try a different channel
	Television channel (no teletext) or antenna system	Try with a different TV channel, carry out fine tuning
	Station signal too weak	Check antenna
The remote control does not work	Obstacle between remote control and device.	Point remote control at television
	Battery problem	Check batteries and replace if necessary
	Operating mode undefined	Switch off the television at the mains switch for two minutes
Picture too dark in PC mode	Incorrect setting for picture resolution and picture frequency on the PC	Change settings on the PC (e.g. 1280 x 768 resolution, refresh rate 60 Hz)

### Note:

- This is a Class A product. During operation the device could cause radio interference. In this case the user may have to remedy this. Please contact your specialist dealer.