

EN

FR

DA

SV

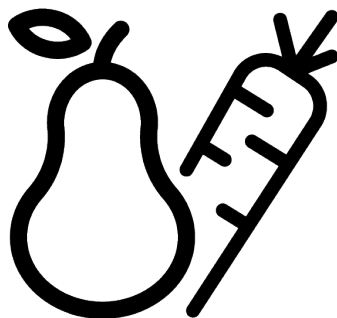
GRUNDIG

Refrigerator / User Manual

Réfrigérateur / Manuel d'utilisation

Køleskab / Brugsanvisning

Kylskåp / Användarmanual



GLPN 66820

58 7474 0000 _1/2/ EN/ FR/ DA/ SV/ AA/ 2022-04-26 16:16
7278346317



Please read this manual first!

Dear Customer

Please read this manual before using the product.

Thank you for choosing this Grundig product. We would like you to achieve the optimal efficiency from this high quality product which has been manufactured with state of the art technology. To do this, carefully read this manual and any other documentation provided before using the product and keep it as a reference.

Heed all information and warnings in the user manual. This way, you will protect yourself and your product against the dangers that may occur.

Keep the user manual. Include this manual with the unit if you hand it over to someone else.

The following symbols are used in the user manual:



Hazard that may result in death or injury.



Important information or useful tips on operation.







Read the user manual.



Combustible material, warning against fire hazard.

NOTICE A hazard that may cause material damage to the product or its surroundings

		<p>The model information as stored in the product data base can be reached by entering following website and searching for your model identifier (*) found on energy label.</p> <p>https://eprel.ec.europa.eu/</p>
SUPPLIER'S NAME	MODEL IDENTIFIER → (*)	
		

1	Safety Instructions	4
1.1	Intention of Use	4
1.2	Safety of Children, Vulnerable Persons and Pets	4
1.3	Electrical Safety	5
1.4	Handling Safety	6
1.5	Installation Safety.....	6
1.6	Operational Safety	8
1.7	Food Storage Safety.....	10
1.8	Maintenance and Cleaning Safety.	10
2	Environmental Instructions	11
2.1	Compliance with the WEEE Directive and Disposing of the Waste Product	11
3	Your Refrigerator	12
4	Installation	13
4.1	Right Place For Installation.....	13
4.2	Electrical Connection	13
4.3	Attaching the Plastic Wedges	13
4.4	Adjusting the Legs.....	14
4.5	Reversing the Door Opening Side.	14
4.6	Hot Surface Warning	14
5	Preparation	14
5.1	What to Do for Energy Saving.....	14
5.2	First Use	15
5.3	Climate Class and Definitions.....	15
6	Operating the Product	15
7	Use of Your Appliance	16
7.1	Control Panel of the Product.....	16
7.2	Storing Food In The Cooler Compartment.....	17
7.3	Crisper	18
7.4	Dairy Products Cold Storage Area	18
7.5	Reversing the Door Opening Side.	18
7.6	Door Open Alert	18
7.7	Foldable Wine Rack.....	18
7.8	Replacing the Illumination Lamp ...	19
8	Maintenance and Cleaning	19
9	Troubleshooting	20



1 Safety Instructions

This section includes the safety instructions necessary to prevent the risk of personal injury or material damage.

Our company shall not be held responsible for damages that may occur if these instructions are not observed.

Installation and repair operations shall always be performed by authorized service.

Use original spare parts and accessories only.

Original spare parts will be provided for 10 years, following the product purchasing date.

Do not repair or replace any component of the product unless it is clearly specified in the user manual.

Do not perform any modifications on the product.



1.1 Intention of Use

This product is not suitable for commercial use and should not be used other than for its intended use. This product is designed to be used indoors, at home and similar places.

For example;

- In the staff kitchens of the stores, offices and other working environments,
- In farm houses,
- In the units of hotels, motels or other resting facilities that are used by the customers,
- In hostels, or similar environments,
- In catering services and similar non-retail applications.

This product shall not be used in open or enclosed external environments such as vessels, balconies or terraces. Exposing the product to rain, snow, sunlight and wind may cause risk of fire.



1.2 Safety of Children, Vulnerable Persons and Pets

- This product may be used by children aged 8 years and older and persons with underdeveloped physical, sensory or mental capabilities or lack of experience and knowledge if they are being given supervision or have been given in-

struction concerning use of the appliance in a safe way and the hazards involved.

- Children between 3 and 8 years are allowed to put and take out food to/from the cooler product.
- Electrical products are dangerous for children and pets. Children and pets must not play with, climb on, or enter the product.
- Cleaning and user maintenance should not be performed by children unless there is someone overseeing them.
- Keep the packaging materials away from children. Risk of injury and suffocation.

Before disposing of old products that shall not be used any more:

1. Unplug the power cord from the mains socket.
2. Cut the power cable and remove it from the appliance together with the plug.
3. Do not remove the racks and drawers from the product to prevent children from getting inside the appliance.
4. Remove the doors.

5. Store the product so that it shall not be tipped over.
 6. Do not allow children to play with the scrapped product.
- Do not dispose of the product by throwing it into fire. Risk of explosion.
 - If there is a lock available in the product's door, keep the key out of children's reach.



1.3 Electrical Safety

- The product shall not be plugged into the outlet during installation, maintenance, cleaning, repair, and transportation operations.
- If the power cable is damaged, it shall be replaced by authorized service only to avoid any risks that may occur.
- Do not tuck the power cable under the product or to the rear of the product. Do not put heavy items on the power cable. The power cable should not be bent, crushed, and come into contact with any heat source.
- Do not use an extension cord, multi-plug or adaptor to operate your product.

- Portable multi sockets or portable power supplies may over-heat and cause fire. Thus, do not have a multi-plug behind or in the vicinity of the product.
- The plug shall be easily accessible. If this is not possible, a mechanism that meets the electrical legislation and that disconnects all terminals from the mains (fuse, switch, main switch, etc.) shall be available on the electrical installation.
- Do not touch the plug with wet hands.
- When unplugging the appliance, don't hold the power cord, but the plug.

1.4 Handling Safety

- This product is heavy, do not handle it by yourself.
- Do not hold the product from its door while handling the product.
- Be careful not to damage the cooling system and the pipes while handling the product. Do not operate the product if the pipes are damaged, and contact an authorized service.

1.5 Installation Safety

- Contact the Authorized Service for the product's installation. To prepare the product for installation, see the information in the user manual and make sure the electric and water utilities are as required. If not, call an electrician and plumber to arrange the utilities as necessary. Failure to do so may result in electric shock, fire, problems with the product, or injury.
- Check for any damage on the product before installing it. Do not have the product installed if it is damaged.
- Place the product on a level and hard surface and balance with the adjustable legs. Otherwise, the refrigerator may tip over and cause injuries.
- The product shall be installed in a dry and ventilated environment. Do not keep carpets, rugs or similar floor covers under the product. This may cause risk of fire as a result of inadequate ventilation!

- Do not block or cover ventilation holes. Otherwise, power consumption may be increased and damage to your product may occur.
- The product must not be connected to supply systems such as solar power supply. Otherwise, your product may be damaged due to sudden voltage changes!
- The more refrigerant a refrigerator contains, the bigger its installation room should be. In very small rooms, a flammable gas-air mixture may occur in case of a gas leak in the cooling system. At least 1 m³ of volume is required for each 8 grams of refrigerant. The amount of the refrigerant available in your product is specified in the Type Label.
- The installation place of the product shall not be exposed to direct sunlight and it shall not be in the vicinity of a heat source such as stoves, radiators, etc. If you cannot prevent installation of the product in the vicinity of a heat source, you shall use a suitable insulation plate and the minimum distance to the heat source shall be as specified below.
 - At least 30 cm away from heat sources such as stoves, heating units and heaters, etc.,
 - And at least 5 cm away from electric ovens.
- Your product has the protection class of I.
- Plug the product in a grounded socket that conforms with the Voltage, Current and Frequency values specified in the type label. The socket must have a 10A – 16A fuse. Our firm will not assume responsibility for any damages due to usage without earthing and power connection in compliance with local and national regulations.
- The product's power cable must be unplugged during installation. Otherwise, risk of electric shock and injury may occur!
- Do not plug the product to loose, broken, dirty, greasy sockets or sockets that have come out of their seats or sockets with a risk of water contact.
- Place the power cable and hoses (if available) of the product so that they shall not cause a risk of tripping over.

- Penetration of humidity to live parts or to the power cord may cause short circuit. Thus, do not use the product in humid environments or in areas where water may splash (e.g. garage, laundry room, etc.) If the refrigerator is wet by water, unplug it and contact an authorized service.
- Do not ever connect your refrigerator to power saving devices. These systems are harmful for the product

1.6 Operational Safety

- Do not ever use chemical solvents on the product. These materials contain an explosion risk.
- In case of a failure of the product, unplug it and do not operate until it is repaired by the authorized service. There is a risk of electric shock!
- Do not place a source of flame (e.g. candles, cigarettes, etc.) on the product or in the vicinity of it.
- Do not get on the product. Risk of falling and injury!
- Do not cause damage to the pipes of the cooling system using sharp and piercing tools.

The refrigerant that sprays out in case of puncturing the gas pipes, pipe extensions or upper surface coatings may cause irritation of skin and injuries of the eyes.

- Do not place and operate electric appliances inside the refrigerator/freezer unless it is advised by the manufacturer.
- Do not jam any parts of your hands or your body to the moving parts inside the product. Be careful to prevent jamming of your fingers between the refrigerator and its door. Be careful while opening or closing the door if there are children around.
- Do not put ice cream, ice cubes or frozen food to your mouth as soon as you take them out of the freezer. Risk of frostbite!
- Do not touch the inner walls, metal parts of the freezer or food kept inside the freezer with wet hands. Risk of frostbite!
- Do not place soda cans or cans and bottles that contain fluids that may be frozen to the freezer compartment.

Cans or bottles may explode. Risk of injury and material damage!

- Do not use or place materials sensitive against temperature such as flammable sprays, flammable objects, dry ice or other chemical agents in the vicinity of the refrigerator. Risk of fire and explosion!
- Do not store explosive materials such as aerosol cans with flammable materials inside the product.
- Do not place cans containing fluids over the product. Splashing of water on an electrical part may cause the risk of an electric shock or a fire.
- This product is not intended for storage and cooling of medicines, blood plasma, laboratory preparations or similar materials and products that are subject to the Medical Products Directive.
- If the product is used against its intended purpose, it may cause damage to or deterioration of the products kept inside.
- If your refrigerator is equipped with blue light, do not look at this light with optical devices. Do not stare directly at UV LED light for a long time. Ultra-violet rays may cause eye strain.
- Do not fill the product with more food than its capacity. Injuries or damages may occur if the contents of the refrigerator fall when the door is opened. Similar problems may also occur when an object is placed over the product.
- Ensure that you have removed any ice or water that may have fallen to the floor to prevent injuries.
- Change the locations of the racks/bottle racks on the door of your refrigerator while the racks are empty only. Danger of injury!
- Do not place objects that may fall/tip over on the product. These objects may fall while opening or closing the door and cause injuries and/or material damages.
- Do not hit or exert excessive pressure on glass surfaces. Broken glass may cause injuries and/or material damages.
- The cooling system in your product contains R600a refrigerant. The refrigerant type used in the product is specified in the type label. This

gas is flammable. Therefore, be careful not to damage the cooling system and the pipes while operating the product. In case of damage to the pipes;

1. Do not touch the product or the power cable.
2. Keep the product away from potential sources of fire that may cause the product to catch fire.
3. Ventilate the area where the product is placed. Do not use a fan.
4. Contact authorized service.
5. If the product is damaged and you observe gas leak, please stay away from the gas. Gas may cause frostbite if it contacts your skin.



1.7 Food Storage Safety

Please pay attention to the following warnings to avoid food spoilage:

- Leaving the doors open for a long time may cause the temperature inside the product to rise.
- Regularly clean the accessible drainage systems in contact with food.

- Clean the water tanks that have not been used for 48 hours and mains-fed water systems that have not been used for more than 5 days.
- Store raw meat and fish products in appropriate compartments within the product. Thus, it does not drip on or come into contact with other foods.
- Two-star freezer compartments are used for storing pre-filled foods, making and storing ice and ice cream.
- One, two and three-star compartments are not appropriate for freezing fresh food.
- If the cooling product has been left empty for a long time, turn off the product, defrost, clean, and dry the product in order to protect the housing of the product.



1.8 Maintenance and Cleaning Safety

- Do not pull by the door handle if you shall move the product for cleaning purposes. Handle may cause injuries if it is pulled too hard.

- Do not clean the product by spraying or pouring water on the product and inside the product. Risk of electric shock and fire.
- When cleaning the product, do not use sharp and abrasive tools or household cleaning agents, detergent, gas, gasoline, thinner, alcohol, varnish, and similar substances. Use only cleaning and maintenance agents that are not harmful for food inside the product.
- Do not ever use steam or steamed cleaning materials for cleaning the product and thawing the ice inside it. Steam contacts the live areas in your refrigerator and causes short circuit or electric shock.
- Take care to keep water away from the electronic circuits or lighting of the product.
- Use a clean, dry cloth to wipe the dust or foreign material on the tips of the plugs. Do not use a wet or damp piece of cloth to clean the plug. Otherwise, risk of fire or electric shock may occur.

2 Environmental Instructions

2.1 Compliance with the WEEE Directive and Disposing of the Waste Product



This product complies with EU WEEE Directive (2012/19/EU). This product bears a classification symbol for waste electrical and electronic equipment (WEEE).

This symbol indicates that this product shall not be disposed with other household wastes at the end of its service life. Used device must be returned to official collection point for recycling of electrical and electronic devices. To find these collection systems please contact to your local authorities or retailer where the product was purchased. Each household performs important role in recovering and recycling of old

appliance. Appropriate disposal of used appliance helps prevent potential negative consequences for the environment and human health.

Compliance with RoHS Directive

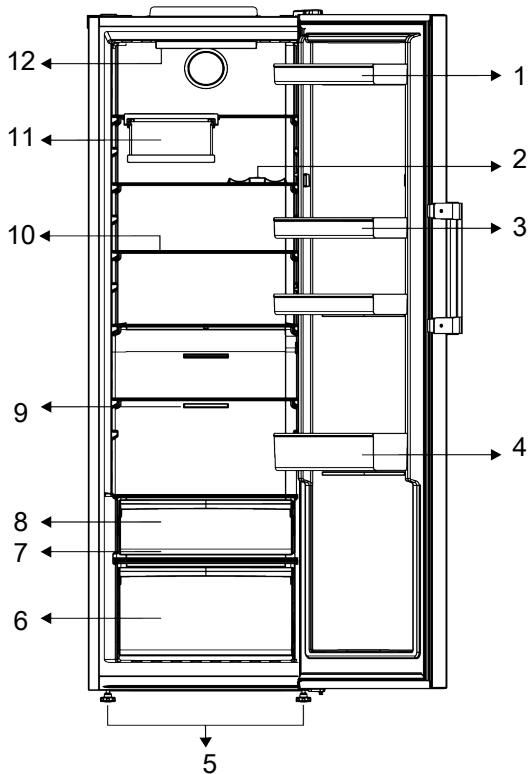
The product you have purchased complies with EU RoHS Directive (2011/65/EU). It does not contain harmful and prohibited materials specified in the Directive.



Package information

Packaging materials of the product are manufactured from recyclable materials in accordance with our National Environment Regulations. Do not dispose of the packaging materials together with the domestic or other wastes. Take them to the packaging material collection points designated by the local authorities.

3 Your Refrigerator



- | | |
|-------------------------|------------------------------|
| 1 Egg holder | 2 * Bottle Shelf |
| 3 Adjustable Shelves | 4 Adjustable Door Shelf |
| 5 Adjustable Front Legs | 6 Crisper |
| 7 * Everfresh | 8 * Cold Storage Compartment |
| 9 Fan | 10 Adjustable Shelves |
| 11 * Foldable Wine Rack | 12 * Illumination Lamp |

***Optional:** Figures in this user manual are schematic and may not exactly match your product. If your product does not comprise the relevant parts, the information pertains to other models.



Read the "Safety Instructions" section first!

4.1 Right Place For Installation

Contact the Authorized Service for the product's installation. To prepare the product for installation, see the information in the user manual and make sure the electric and water utilities are as required. If not, call an electrician and plumber to arrange the utilities as necessary.



WARNING:

The manufacturer assumes no responsibility for any damages caused by the work carried out by unauthorized persons.



WARNING:

The product's power cable must be unplugged during installation. Failure to do so may result in death or serious injuries!



WARNING:

If the door span is too narrow for the product to pass, remove the door and turn the product sideways; if this does not work, contact the authorized service.

- Place the product on a flat surface to avoid vibration.
- Place the product at least 30 cm away from the heater, stove and similar sources of heat and at least 5 cm away from electric ovens.
- Do not expose the product to direct sunlight or keep it in damp environments.
- Your product requires adequate air circulation to function efficiently. If the product will be placed in an alcove, remember to leave at least 5 cm clearance between the product and the ceiling, rear wall and the side walls.

- Check if the rear wall clearance protection component is present at its location (if provided with the product).
- If the component is not available, or if it is lost or fallen, position the product so that at least 5 cm clearance shall be left between the rear surface of the product and the wall of the room. The clearance at the rear is important for efficient operation of the product.

4.2 Electrical Connection



Do not use extension or multi sockets in power connection.



Damaged power cable must be replaced by Authorized Service.



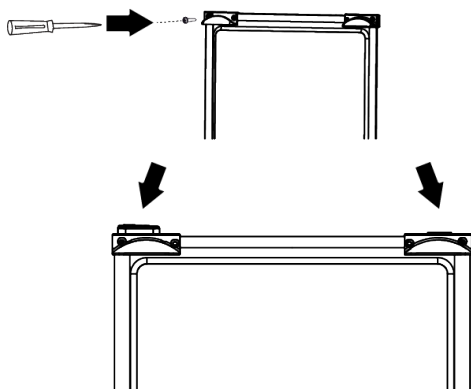
When placing two coolers in adjacent position, leave at least 4 cm distance between the two units.

- Our firm will not assume responsibility for any damages due to usage without earthing and power connection in compliance with national regulations.
- The power cable plug must be easily accessible after installation.
- Do not use multi-group plug with or without extension cable between the wall socket and the refrigerator.

4.3 Attaching the Plastic Wedges

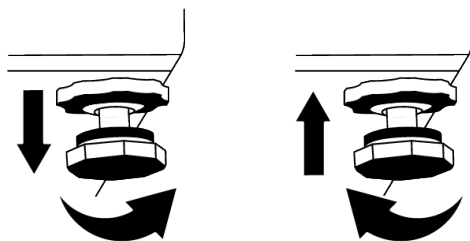
Use the plastic wedges provided with the product to maintain sufficient space for air circulation between the product and the wall.

1. To attach the wedges, remove the screws on the product and use the screws provided with the wedges.
2. Attach 2 plastic wedges on the ventilation cover as shown in the figure.



4.4 Adjusting the Legs

If the product is not in balanced position, adjust the front adjustable legs by rotating them to right or left.



4.5 Reversing the Door Opening Side

The door opening side of your refrigerator can be reversed according to the place you put it. When you need this, you should definitely call the nearest Authorized Service.

4.6 Hot Surface Warning

The side walls of your product are equipped with cooler pipes to enhance the cooling system. High pressure fluid may flow through these surfaces, and cause hot surfaces on the side walls. This is normal and it does not require servicing. Be careful when you contact these areas.

5 Preparation



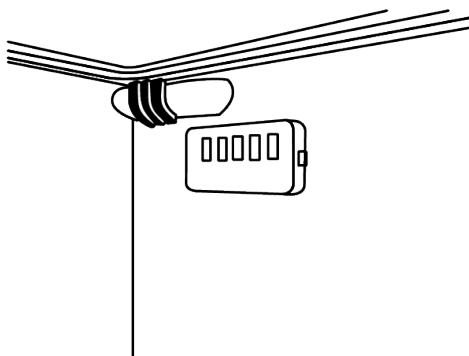
Read the "Safety Instructions" section first!

5.1 What to Do for Energy Saving



Connecting the product to electronic energy-saving systems is harmful, as it may damage the product.

- This refrigerating appliance is not intended to be used as a built in appliance.
- Do not keep the refrigerator doors open for long periods.
- Do not place hot food or beverages into the refrigerator.
- Do not overfill the refrigerator; blocking the internal air flow will reduce cooling capacity.



- Using the below drawer when storing is strongly recommended.
- Make sure the foods are not in contact with the cooler compartment temperature sensor described below.

- If they are in contact with the sensor, energy consumption of the appliance might increase
- Food shall be stored using the drawers in the cooler compartment in order to ensure energy saving and protect food in better conditions.

5.2 First Use

Before using your refrigerator, make sure the necessary preparations are made in line with the instructions in "Safety and Environmental Instructions" and "Installation" sections.

- Keep the product running without placing any food inside for 6 hours and do not open the door, unless absolutely necessary.
- The temperature change caused by opening and closing of the door while using the product may normally lead to condensation on door/body shelves and glassware placed in the product.



A sound will be heard when the compressor is engaged. It is normal for the product to make noise even if the compressor is not running, as fluid and gas may be compressed in the cooling system.



It is normal for the front edges of the refrigerator to be warm. These areas are designed to warm up in order to prevent condensation.



For some models, indicator panel turns off automatically 1 minute after the door closes. It will be reactivated when the door is opened or any button is pressed.

5.3 Climate Class and Definitions

Please refer to the Climate Class on the rating plate of your device. One of the following information is applicable to your device according to the Climate Class.

- **SN:** Long Term Temperate Climate: This cooling device is designed for use at ambient temperatures between 10 °C and 32 °C.
- **N:** Temperate Climate: This cooling device is designed for use at ambient temperatures between 16°C and 32 °C.
- **ST:** Subtropical Climate: This cooling device is designed for use at ambient temperatures between 16°C and 38°C.
- **T:** Tropical Climate: This cooling device is designed for use at ambient temperatures between 16°C and 43°C.

6 Operating the Product



Read the "Safety Instructions" section first!

- This product is not appropriate for freezing food.
- Do not use any mechanical tools or any other tools than the recommendations of the manufacturer to speed up the thawing operation.
- Do not use parts of your refrigerator such as the door or drawers as a support or a step. This may cause the product to tip over or its components to be damaged.
- The product shall be used for storing food only.

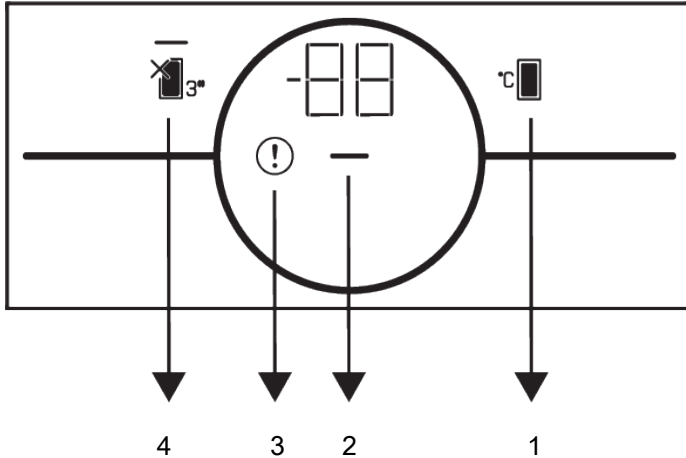
- Turn off the water valve if you will be away from home (e.g. at vacation) and you will not be using the Icematic or the water dispenser for a long period of time. Otherwise, water leaks may occur.

Pausing the program

- If you are not going to use the product for a long time, unplug the product from the socket.
- Remove the food to prevent odours.
- Wait for the ice to melt, clean the interior and let it dry, leave the doors open to avoid damaging the inner body plastics.

7 Use of Your Appliance

7.1 Control Panel of the Product



1 Sıcaklık Ayar Tuşu

3 Hata Durumu Göstergesi

2 Enerji Tasarrufu (Ekran Kpalı)
Göstergesi

4 Soğutucu Bölme
Kapama(Tatil)Fonksiyonu Tuşu



Read the “Safety Instructions” section first.

Auditory and visual functions of the indicator panel will assist in using the refrigerator.

***Optional:** Shown functions are optional, there may be differences of shape and location in functions found on your appliance’s display panel.

1. Temperature Adjustment Key

Temperature setting is made for the refrigerator. The compartment temperature can be set to values of 1 °C, 2 °C, 3 °C, 4 °C, 5 °C, 6 °C, 7 °C , 8 °C.

2. Energy Saving (Display Off) Indicator

Energy saving function is enabled automatically and the energy saving symbol is displayed when the door of the product is not opened or closed for some period of time. When the energy saving function is active, all

symbols on the screen other than the energy saving symbol shall be turned off. When the energy-saving function is active, pressing any key or opening the door will deactivate the energy-saving function and the display signals will return to normal. The energy-saving function is a function activated ex-factory and cannot be cancelled.

3. Fault Condition Indicator

This indicator shall be active when your refrigerator cannot perform adequate cooling or in case of any sensor error. On the freezer compartment temperature indicator the letter “E” and on the cooler compartment temperature indicator the numbers 1, 2, 3 will be displayed. The numbers on the indicator specifies the service regarding the failure. If you leave the door open for a prolonged time, an exclamation mark can be lit. This is not a fault, this warning shall be removed when the food is cooled down or when any key is pressed.

4. Cooler Compartment Off (Vacation)

Function Key

Press the key for 3 seconds to activate the vacation function. Vacation mode is activated and the LED on the key is illuminated. All icons on the cooler compartment temper-

ature indicator turn off and the cooler compartment does not perform active cooling. You should not keep your food in the cooler compartment if you activate this function. Press and hold the key for 3 seconds again to cancel this function.

7.2 Storing Food In The Cooler Compartment

- Compartment temperatures rise prominently if compartment door is opened and closed frequently and kept open for a long time, this can reduce the life span of the food and cause the food to go bad.
- In order not to cause odour and taste changes, the food should be stored in the closed containers.
- Do not store too much food in your refrigerator. To achieve a better and homogeneous cooling, place the food separately in a way that cold air can wander through them.
- Provide air flow by leaving a space between the food and internal wall. If you lean the food against the rear wall, the food may freeze.
- Bring cooked hot meals to the room temperature before placing them in the refrigerator. Then, you can place the tepid meal in the lower shelves of your refrigerator. Do not place the tepid meals close to the foods which may easily go bad.
- Defrost your frozen food in the fresh food compartment. Thereby, you can cool fresh food compartment by using frozen food and save energy.
- Storing unripe tropical fruits (mango, melon varieties, papaya, banana, pineapple) in the refrigerator may speed up the ripening process. This is not recommended because it will cause shorter storage time.
- You should store onions, garlics, ginger and other root vegetables in dark and cold room conditions, not in the refrigerator.
- If you notice that a food has gone bad in the refrigerator, throw away that food and clean the accessories which have come into contact with that food.
- In order to cool the meals like soups and stews, which are cooked in the large pots, quickly, you can put them in the refrigerator by separating them into their own shallow containers.
- Do not place the unpackaged food close to the eggs.
- Keep the fruits and vegetables separately and store each variety together (for example; apples with apples, carrots with carrots)
- Take green vegetables out of the plastic bag and place them in the refrigerator after wrapping them in a paper towel or drying cloth. If you wash this type of food before placing them in the refrigerator, remember to dry them.
- You can both create a damp environment and provide an air flow by keeping fruits and vegetables, which are prone to drying, in the perforated or unsealed plastic bags.
- Except the cases where extreme circumstances are available in the environment, if your product (on the recommended set values table) is set to the specified set values, the food keep their freshness for a longer time both in the fresh product compartment and freezer compartment.

Store Foods In The Different Places According To Their Properties:	
Food	Place
Egg	Door Shelf
Dairy products (butter, cheese)	If available, zero degree (for breakfast food) compartment
Fruits, vegetables and greenery	Fruit-vegetable compartment, crisper or EverFresh+ compartment (if available)
Fresh meat, poultry, fish, sausage etc. Cooked foods	If available, zero degree (for breakfast food) compartment
Ready to serve foods, packaged products, canned foods and pickles	Top shelves or door shelf
Beverages, bottles, spices and snacks	Door Shelf

Placing the food

Cooler compartment shelves: Food items inside pots, capped plate and capped cases, eggs (in capped case)

Cooler compartment door shelves : Small and packaged food or beverages

Crisper: Vegetables and fruits

7.3 Crisper

The refrigerator's crisper is designed to keep vegetables fresh by preserving their humidity. For this purpose, the overall cold air circulation is intensified in the crisper. Keep fruits and vegetables in this compartment. Keep the green-leaved vegetables and fruits separately to prolong their life.

7.4 Dairy Products Cold Storage Area

Cold Storage Drawer

The Cold Storage Drawer can reach lower temperatures in the cooler compartment. Use this drawer for delicatessen products (salami, sausage, etc.) and dairy products that require colder storage conditions, or for meat, chicken or fish to be consumed quickly. It is not suitable to store fruits and vegetables in this drawer.

7.5 Reversing the Door Opening Side

The door opening side of your refrigerator can be reversed according to the place you put it. When you need this, you should definitely call the nearest Authorized Service.


7.6 Door Open Alert

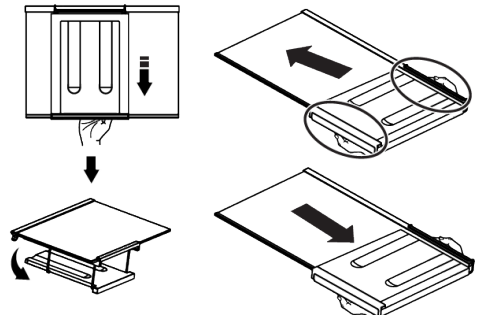
Door Open Alert

An audible alert will be heard if the product's door remains open for 1 minute. The audible alert will stop when you close the cabinet door or press any button on the display (if available).

7.7 Foldable Wine Rack

It allows the user to store wine bottles if necessary. To use the rack section, grasp the plastic part and gently pull it down. You can now use the foldable wine rack.

 It is recommended to store a maximum of 2 wine bottles on the foldable wine rack.



To group the wine rack, first remove the glass shelf from the refrigerator. Place it on the glass shelf by pushing the plastic part through the front and back grooves as shown in the picture. The product will be ready to use with the foldable wine rack.

To remove the foldable wine rack, first remove the glass shelf from the refrigerator. Then grab the plastic part and pull it in any direction. You can now use the product without a foldable wine rack when needed.

8 Maintenance and Cleaning



WARNING:

Read the "Safety Instructions" section first.



WARNING:

Unplug the refrigerator before cleaning it.

- Do not use sharp or abrasive tools to clean the product. Do not use materials such as household cleaning agents, soap, detergents, gas, gasoline, thinner, alcohol, wax, etc.
- The dust shall be removed from the ventilation grill on the rear of the product at least once a year (without opening the cover). Clean the product with a dry cloth.
- Take care to keep water away from the lamp's cover and other electrical parts.
- Clean the door with a damp cloth. Remove all contents to remove the door and body racks. Remove the door racks by lifting them upwards. Clean and dry the shelves, then attach back in place by sliding from above.
- Do not use chlorinated water or cleaning products on the exterior surface and chrome-coated parts of the product. Chlorine will cause rust on such metallic surfaces.
- Do not use sharp and abrasive tools, soap, house cleaning materials, detergents, gas, gasoline, varnish and similar substances to prevent deformation of the

7.8 Replacing the Illumination Lamp

Call the Authorized Service when the Bulb/LED used for lighting in your refrigerator will be replaced.

Lamp(s) used in this appliance cannot be used for house lighting. Intended use of this lamp is to help the user place food into the refrigerator / freezer safely and comfortably.

plastic part and removal of prints on the part. Use warm water and a soft cloth for cleaning, and then dry it.

- On the products without a No-Frost feature, water droplets and icing up to a thickness of a finger may occur on the rear wall of the freezer compartment. Do not clean, and never apply oils or similar materials.
- Use a mildly dampened micro-fibre cloth to clean the external surface of the product. Sponges and other types of cleaning clothes may cause scratches.
- To clean all removable components during the cleaning of the interior surface of the product, wash these components with a mild solution consisting of soap, water and carbonate. Wash and dry thoroughly. Prevent contact of water with illumination components and the control panel.



CAUTION:

Do not use vinegar, rubbing alcohol or other alcohol based cleaning agents on any interior surface.

Stainless Steel External Surfaces

Use a non-abrasive stainless steel cleaning agent and apply it with a soft lint-free cloth. To polish, gently wipe the surface with a micro-fibre cloth dampened with water and use dry polishing chamois. Always follow the veins of the stainless steel.

Preventing Odours

The product is manufactured free of any odorous materials. However, keeping the food in inappropriate sections and improper cleaning of internal surfaces may lead to odours.

- To avoid this, clean the inside with carbonated water every 15 days.

9 Troubleshooting

Check this list before contacting the service. Doing so will save you time and money. This list includes frequent complaints that are not related to faulty workmanship or materials. Certain features mentioned herein may not apply to your product.

The refrigerator is not working.

- The power plug is not fully settled. >>> Plug it in to settle completely into the socket.
- The fuse connected to the socket powering the product or the main fuse is blown. >>> Check the fuse.

Condensation on the side wall of the cooler compartment (MULTI ZONE, COOL CONTROL and FLEXI ZONE).

- The door is opened too frequently. >>> Take care not to open the product's door too frequently.
- The environment is too humid. >>> Do not install the product in humid environments.
- Foods containing liquids are kept in unsealed holders. >>> Keep the foods containing liquids in sealed holders.
- The product's door is left open. >>> Do not keep the product's door open for long periods.
- The thermostat is set to a very cool temperature. >>> Set the thermostat to an appropriate temperature.

Compressor is not working.

- In case of sudden power failure or pulling the power plug off and putting back on, the gas pressure in the product's cooling system is not balanced, which triggers the

- Keep the foods in sealed holders, as micro-organisms arising from foods kept in unsealed containers will cause bad odour.
- Do not keep expired and spoiled foods in the refrigerator.

Protecting Plastic Surfaces

Oil spilled on plastic surfaces may damage the surface and must be cleaned immediately with warm water.

compressor thermic safeguard. The product will restart after approximately 6 minutes. If the product does not restart after this period, contact the service.

- Defrosting is active. >>> This is normal for a fully-automatic defrosting product. The defrosting is carried out periodically.
- The product is not plugged in. >>> Make sure the power cord is plugged in.
- The temperature setting is incorrect. >>> Select the appropriate temperature setting.
- The power is out. >>> The product will continue to operate normally once the power is restored.

The refrigerator's operating noise is increasing while in use.

- The product's operating performance may vary depending on the ambient temperature variations. This is normal and not a malfunction.

The refrigerator runs too often or for too long.

- The new product may be larger than the previous one. Larger products will run for longer periods.
- The room temperature may be high. >>> The product will normally run for long periods in higher room temperature.
- The product may have been recently plugged in or a new food item is placed inside. >>> The product will take longer to reach the set temperature when recently plugged in or a new food item is placed inside. This is normal.

- Large quantities of hot food may have been recently placed into the product. >>> Do not place hot food into the product.
- The doors were opened frequently or kept open for long periods. >>> The warm air moving inside will cause the product to run longer. Do not open the doors too frequently.
- The freezer or cooler door may be ajar. >>> Check that the doors are fully closed.
- The product may be set to a temperature that is too low. >>> Set the temperature to a higher degree and wait for the product to reach the adjusted temperature.
- The cooler or freezer door washer may be dirty, worn out, broken or not properly settled. >>> Clean or replace the gasket. Damaged / torn door washer will cause the product to run for longer periods to preserve the current temperature.

The freezer temperature is very low, but the cooler temperature is adequate.

- The freezer compartment temperature is set to a very low degree. >>> Set the freezer compartment temperature to a higher degree and check again.

The cooler temperature is very low, but the freezer temperature is adequate.

- The cooler compartment temperature is set to a very low degree. >>> Set the cooler compartment temperature to a higher degree and check again.

The food items kept in cooler compartment drawers are frozen.

- The cooler compartment temperature is set to a very low degree. >>> Set the cooler compartment temperature to a higher degree and check again.

The temperature in the cooler or the freezer is too high.

- The cooler compartment temperature is set to a very high degree. >>> Temperature setting of the cooler compartment has an effect on the temperature in the freezer compartment. Wait until the temperature

of relevant parts reach the sufficient level by changing the temperature of cooler or freezer compartments.

- The doors were opened frequently or kept open for long periods. >>> Do not open the doors too frequently.
- The door may be ajar. >>> Fully close the door.
- The product may have been recently plugged in or a new food item is placed inside. >>> This is normal. The product will take longer to reach the set temperature when recently plugged in or a new food item is placed inside.
- Large quantities of hot food may have been recently placed into the product. >>> Do not place hot food into the product.

Shaking or noise.

- The surface is not flat or durable >>> If the product is shaking when moved slowly, adjust the stands to balance the product. Also make sure the ground is sufficiently durable to bear the product.
- Any items placed on the product may cause noise. >>> Remove any items placed on the product.
- The product is making noise of liquid flowing, spraying etc.
- The product's operating principles involve liquid and gas flows. >>> This is normal and not a malfunction.

There is sound of wind blowing coming from the product.

- The product uses a fan for the cooling process. This is normal and not a malfunction.

There is condensation on the product's internal walls.

- Hot or humid weather will increase icing and condensation. This is normal and not a malfunction.
- The doors were opened frequently or kept open for long periods. >>> Do not open the doors too frequently; if open, close the door.
- The door may be ajar. >>> Fully close the door.

There is condensation on the product's exterior or between the doors.

- The ambient weather may be humid, this is quite normal in humid weather. >>> The condensation will dissipate when the humidity is reduced.

The interior smells bad.

- The product is not cleaned regularly. >>> Clean the interior regularly using sponge, warm water and carbonated water.
- Certain holders and packaging materials may cause odour. >>> Use holders and packaging materials without free of odour.
- The foods were placed in unsealed holders. >>> Keep the foods in sealed holders. Microorganisms may spread out of unsealed food items and cause bad odour.
- Remove any expired or spoilt foods from the product.

The door is not closing.

- Food packages may be blocking the door. >>> Relocate any items blocking the doors.
- The product is not standing in full upright position on the ground. >>> Adjust the stands to balance the product.

DISCLAIMER / WARNING

Some (simple) failures can be adequately handled by the end-user without any safety issue or unsafe use arising, provided that they are carried out within the limits and in accordance with the following instructions (see the "Self-Repair" section).

Therefore, unless otherwise authorized in the "Self-Repair" section below, repairs shall be addressed to registered professional repairers in order to avoid safety issues. A registered Professional repairer is a professional repairer that has been granted access to the instructions and spare parts list of this product by the manufacturer according to the methods described in legislative acts pursuant to Directive 2009/125/EC.

However, only the service agent (i.e. authorized professional repairers) that you can reach through the phone number

- The surface is not flat or durable >>> Make sure the surface is flat and sufficiently durable to bear the product.

The crisper is jammed.

- The food items may be in contact with the upper section of the drawer. >>> Reorganize the food items in the drawer.

Temperature on the product surface.

- High temperature may be observed between two doors, on the side panels and on the rear grill area while your product is operated. This is normal and it does not require servicing.

Fan continues to operate when the door is opened.

- Fan may continue to operate when the freezer door is open.



WARNING: If the problem persists after following the instructions in this section, contact your vendor or an Authorized Service. Do not try to repair the product. This is normal.

given in the user manual/warranty card or through your authorized dealer may provide service under the guarantee terms. Therefore, please be advised that repairs by professional repairers (who are not authorized by) Grundig shall void the guarantee.

Self-Repair

Self-repair can be done by the end-user with regard to the following spare parts: door handles, door hinges, trays, baskets and door gaskets (an updated list is also available support.grundig.com as of 1st March 2021).

Moreover, to ensure product safety and to prevent risk of serious injury, the mentioned self-repair shall be done following the instructions in the user manual for selfrepair or

which are available in support.grundig.com .
For your safety, unplug the product before attempting any self-repair.

Repair and repair attempts by end-users for parts not included in such list and/or not following the instructions in the user manuals for self-repair or which are available in support.grundig.com, might give raise to safety issues not attributable to Grundig, and will void the warranty of the product.

Therefore, it is highly recommended that end-users refrain from the attempt to carry out repairs falling outside the mentioned list of spare parts, contacting in such cases authorized professional repairers or registered professional repairers. On the contrary, such attempts by end-users may cause safety issues and damage the product and subsequently cause fire, flood, electrocution and serious personal injury to occur.

By way of example, but not limited to, the following repairs must be addressed to authorized professional repairers or registered professional repairers: compressor, cooling circuit, main board, inverter board, display board, etc.

The manufacturer/seller cannot be held liable in any case where end-users do not comply with the above.

The spare part availability of the refrigerator that you purchased is 10 years. During this period, original spare parts will be available to operate the refrigerator properly

The minimum duration of guarantee of the refrigerator that you purchased is 24 months.

This product is equipped with a lighting source of the "G" energy class.

The lighting source in this product shall only be replaced by Professional repairer



Premièrement veuillez lire ce manuel !

Cher client, chère cliente,

Veuillez lire ce manuel avant d'utiliser l'appareil.

Nous vous remercions d'avoir choisi ce Grundigproduit. Nous aimerions que vous obteniez une efficacité optimale de ce produit de haute qualité qui a été fabriqué avec une technologie de pointe. À cette fin, lisez attentivement ce manuel et toute autre documentation fournie avant d'utiliser le produit et conservez-les comme référence.

Tenez compte de toutes les informations et de tous les avertissements figurant dans le manuel d'utilisation. De cette façon, vous vous protégerez, vous et votre produit, contre les dangers qui peuvent survenir.

Conservez le manuel d'utilisation. Joignez ce guide à l'unité si vous le remettez à quelqu'un d'autre.

Les symboles suivants sont utilisés dans le manuel d'utilisation :



Il s'agit d'un danger qui peut entraîner la mort ou des blessures.



Informations importantes ou conseils utiles sur le fonctionnement.







Lisez le manuel d'utilisation.



Matériau combustible, mise en garde contre le risque d'incendie.

AVERTISSEMENT Un danger qui peut causer des dommages matériels au produit ou à son environnement

  SUPPLIER'S NAME  MODEL IDENTIFIER → (*) 	<p>Les informations sur le modèle, telles qu'elles sont enregistrées dans la base de données des produits, peuvent être obtenues en accédant au site web suivant et en recherchant l'identifiant du modèle (*) figurant sur l'étiquette énergétique.</p> <p>https://eprel.ec.europa.eu/</p>
--	---

1	Consignes de sécurité.....	30
1.1	Intention d'utilisation	30
1.2	Sécurité des enfants, des personnes vulnérables et des animaux domestiques	31
1.3	Sécurité électrique.....	31
1.4	Sécurité de manipulation	32
1.5	Sûreté des installations.....	32
1.6	Sécurité de fonctionnement.....	35
1.7	Sécurité du stockage des aliments	37
1.8	Sécurité relative à l'entretien et au nettoyage	38
2	Instructions environnementales ..	39
2.1	Conformité avec la directive DEEE et élimination des déchets	39
3	Votre réfrigérateur	40
4	Installation	40
4.1	Lieu idéal d'installation.....	40
4.2	Branchement électrique.....	41
4.3	Fixation des cales en plastique	41
4.4	Réglages des pieds avant.....	42
4.5	Inversion du côté d'ouverture de la porte	42
4.6	Attention aux surfaces chaudes....	42
5	Préparation	42
5.1	Moyens d'économiser l'énergie	42
5.2	Première utilisation.....	43
5.3	Classe climatique et définitions	43
6	Fonctionnement de l'appareil	43
7	Utilisation de votre appareil	44
7.1	Panneau de contrôle du produit....	44
7.2	Stockage des aliments dans le compartiment réfrigérant	45
7.3	Bac à légumes.....	46
7.4	Zone d'entreposage frais des produits laitiers	47
7.5	Inversion du côté d'ouverture de la porte	47
7.6	Alerte de porte ouverte	47
7.7	Porte-bouteille pliable	47
7.8	Remplacement de la lampe d'éclairage.....	47
8	Entretien et nettoyage	47

1 **Consignes de sécurité**

Cette section contient les instructions de sécurité nécessaires à la prévention des risques de dommage corporel ou de dommage matériel.

Notre entreprise ne peut être tenue pour responsable des dommages qui peuvent se produire si ces instructions ne sont pas respectées.

Les opérations d'installation et de réparation doivent être effectuées par un service agréé.

Utilisez uniquement des pièces de rechange et des accessoires d'origine.

Les pièces de rechange originales sont fournies pendant les 10 années suivant la date d'achat de l'appareil.

Évitez de réparer ou de remplacer tout composant de l'appareil sauf si cela est clairement spécifié dans le manuel d'utilisation.

Il ne faut pas effectuer de modifications sur l'appareil.

1.1 **Intention d'utilisation**

Ce produit ne convient pas à un usage commercial et ne doit pas être utilisé autrement que

pour l'usage auquel il est destiné. Ce produit est conçu pour être utilisé à l'intérieur, dans les foyers et dans des endroits similaires.

Par exemple ;

- cuisines du personnel des magasins, bureaux et autres environnements professionnels,
- les maisons de campagne,
- unités des hôtels, motels ou autres installations de repos utilisées par les clients,
- hôtels ou environnements similaires,
- services de restauration et les espaces semblables de vente en gros.

Ces appareils ne doivent pas être utilisés dans des environnements extérieurs ouverts ou clôturés tels que les bateaux, balcons ou terrasses. L'exposition de l'appareil à la pluie, à la neige, au soleil et au vent présente un risque d'incendie.

1.2 Sécurité des enfants, des personnes vulnérables et des animaux domestiques



- Cet appareil peut être utilisé par des enfants âgés d'au moins 8 ans, ainsi que par des personnes avec des capacités physiques, sensorielles ou mentales réduites ou sans expérience et connaissances, si elles sont supervisées ou ont été formées à l'utilisation sécurisée de l'appareil et comprennent les risques relatifs.
- Les enfants de 3 à 8 ans sont autorisés à mettre les aliments dans la glacière et à les enlever.
- Les produits électriques sont dangereux pour les enfants et les animaux domestiques. Les enfants et les animaux domestiques ne doivent pas jouer avec le produit, ni grimper dessus, ni y entrer.
- Le nettoyage et l'entretien des utilisateurs ne doivent pas être effectués par des enfants, sauf s'il y a une personne qui les surveille.
- Tenez les emballages hors de la portée des enfants. Risque de blessure et d'asphyxie .

Avant de vous débarrasser des appareils usagés qui ne doivent plus être utilisés :

1. Débranchez le cordon d'alimentation de la prise de courant.
 2. Coupez le cordon d'alimentation et retirez-le de l'appareil avec la prise.
 3. Ne retirez pas les étagères et les tiroirs de l'appareil pour empêcher les enfants d'y pénétrer.
 4. Démontage des portes.
 5. Stockez l'appareil de façon à éviter qu'il se renverse.
 6. Ne laissez pas les enfants jouer avec un appareil usagé.
- Ne jetez pas l'appareil en le mettant au feu. Risque d'explosion.
 - Si une serrure est disponible dans la porte de l'appareil, gardez la clé hors de la portée des enfants.



1.3 Sécurité électrique

- Il ne faut pas brancher le produit dans la prise de courant pendant les opérations d'installation, d'entretien, de nettoyage, de réparation et de transport.

- Si le câble d'alimentation est endommagé, il doit être remplacé par un service agréé uniquement pour éviter tout risque qui pourrait survenir.
- Ne placez pas le câble d'alimentation sous l'appareil ou à l'arrière de celui-ci. Ne placez aucun objet lourd sur le câble d'alimentation. Le câble d'alimentation ne doit pas être plié, écrasé et entrer en contact avec une source de chaleur.
- N'utilisez pas de rallonge, de prise multiple ou d'adaptateur pour faire fonctionner votre appareil.
- Les prises multiples mobiles ou les blocs d'alimentation portatifs peuvent surchauffer et causer un incendie. Par conséquent, aucune prise multiple ne doit se trouver derrière ou à proximité de l'appareil.
- La prise doit être facilement accessible. Si cela n'est pas possible, l'installation électrique doit être dotée d'un mécanisme conforme à la réglementation en matière d'électricité et qui déconnecte toutes

les bornes du réseau (fusible, interrupteur, commutateur principal, etc.).

- Évitez de toucher le cordon d'alimentation avec des mains humides.
- Lorsque vous débranchez l'appareil, ne tenez pas le cordon d'alimentation, mais la prise.



1.4 Sécurité de manipulation

- Cet appareil est lourd, ne le manipulez pas seul.
- Lors de la manipulation de l'appareil, évitez de le tenir par sa porte.
- Veillez à ne pas endommager le système de refroidissement et les tuyaux lorsque vous manipulez l'appareil. Évitez de faire fonctionner l'appareil si les tuyaux sont endommagés et contactez un service agréé.



1.5 Sûreté des installations

- Contactez le service agréé pour l'installation de votre réfrigérateur. Pour préparer l'installation du réfrigérateur, lisez attentivement les instructions du manuel d'utilisation et assurez-vous que les équipe-

ments électriques et d'approvisionnement d'eau sont installés convenablement. Si ce n'est pas le cas, appelez un électricien et un plombier pour faire le nécessaire pour les services publics. Le non-respect de cette consigne peut entraîner un choc électrique, un incendie, des problèmes avec le produit ou des blessures.

- Vérifiez que l'appareil n'est pas endommagé avant de l'installer. N'installez pas l'appareil lorsqu'il est endommagé.
- Placez l'appareil sur une surface plane et dure et équilibrez-le avec les pieds réglables. Sinon, le réfrigérateur risque de se renverser et provoquer des blessures.
- Installez l'appareil dans un endroit sec et ventilé. Ne laissez pas de tapis, de moquettes ou d'autres revêtements de sol similaires sous l'appareil. Ils peuvent entraîner un risque d'incendie en raison d'une ventilation inadéquate !
- N'obstruez pas ou ne couvrez pas les orifices de ventilation. Sinon, la consommation

d'énergie pourrait augmenter et votre appareil pourrait être endommagé.

- Le produit ne doit pas être connecté à des systèmes d'alimentation tels que l'alimentation solaire. Sinon, votre produit peut être endommagé en raison de changements soudains de tension !
- Plus un réfrigérateur contient de réfrigérant, plus grande doit être la pièce d'installation. Dans les très petites pièces, un mélange gaz-air inflammable peut se produire en cas de fuite de gaz dans le système de refroidissement. Au moins 1 m³ de volume est requis pour chaque 8 grammes de réfrigérant. La quantité de réfrigérant disponible dans votre appareil est indiquée sur la plaque signalétique.
- Le lieu d'installation du produit ne doit pas être exposé à la lumière directe du soleil et ne doit pas se trouver à proximité d'une source de chaleur telle qu'un poêle, un radiateur, etc. Si vous ne pouvez pas empêcher l'installation du produit à proximité d'une source de chaleur, vous devez utiliser une plaque isolante appropriée

et la distance minimale par rapport à la source de chaleur doit être conforme aux spécifications ci-dessous.

- À au moins 30 cm des sources de chaleur telles que les cuisinières, les appareils de chauffage, etc.
- Et à au moins 5 cm des fours électriques.
- Votre produit a la classe de protection I.
- Branchez le produit dans une prise avec mise à la terre conforme aux valeurs de tension, de courant et de fréquence indiquées sur la plaque signalétique. La prise de courant doit être équipée d'un fusible de 10 à 16A. Notre entreprise ne sera pas tenue responsable de tout dommage résultant de l'utilisation de l'appareil sans prise de mise à la terre ou branchement électrique conforme aux normes locales et nationales en vigueur.
- Débranchez le câble d'alimentation du réfrigérateur pendant l'installation. Dans le cas contraire, vous risquez de vous électrocuter et de vous blesser !
- Ne branchez pas l'appareil sur des prises desserrées, cassées, sales, graisseuses ou qui sont sorties de leur logement ou sur des prises présentant un risque de contact avec l'eau.
- Placez le câble d'alimentation et les flexibles (si disponibles) de l'appareil de sorte qu'ils ne puissent pas provoquer de risque de trébuchement.
- La pénétration de l'humidité dans les pièces sous tension ou dans le cordon d'alimentation peut provoquer un court-circuit. Par conséquent, n'utilisez pas l'appareil dans des environnements humides ou dans des endroits où l'eau peut éclabousser (p. ex. les garages, les buanderies, etc.). Lorsque le réfrigérateur est mouillé par l'eau, débranchez-le et contactez un service autorisé.
- Ne branchez jamais votre réfrigérateur sur des dispositifs d'économie d'énergie. Ces dispositifs peuvent être dangereux pour l'appareil



1.6 Sécurité de fonctionnement

- N'utilisez jamais de solvants chimiques sur le réfrigérateur. Ces matériaux présentent un risque d'explosion.
- En cas de panne de l'appareil, débranchez-le et ne l'utilisez pas avant sa réparation par le service autorisé. Il existe un risque d'électrocution !
- Ne placez pas une source de flamme (p. ex. des bougies, cigarettes, etc.) sur l'appareil ou à proximité de celui-ci.
- Ne montez pas sur l'appareil. Risque de chute et de blessure !
- N'endommagez pas les tuyaux du système de refroidissement avec des outils tranchants et perçants. Le réfrigérant qui s'échappe en cas de perforation des tuyaux à gaz, des tuyaux d'extension ou des revêtements de la surface supérieure peut provoquer une irritation de la peau et des liaisons oculaires.
- Ne placez pas et n'utilisez pas d'appareils électriques à l'intérieur du réfrigérateur/congélateur, sauf avis contraire du fabricant.
- Ne coinciez pas les parties de vos mains ou de votre corps sur les parties mobiles à l'intérieur de l'appareil. Faites attention à ne pas coincer vos doigts entre le réfrigérateur et sa porte. Soyez prudent lorsque vous ouvrez ou fermez la porte en présence des enfants.
- Ne mettez pas de crème glacée, de glaçons ou d'aliments congelés dans votre bouche immédiatement après les avoir sortis du congélateur. Risque de gelure !
- Ne touchez pas les parois intérieures, les parties métalliques du congélateur ou les aliments conservés dans le congélateur avec les mains mouillées. Risque de gelure !
- Ne placez pas de canettes de soda ou de bouteilles contenant des liquides pouvant être congelés dans le compartiment congélateur. Les canettes ou les bouteilles peuvent exploser. Risque de blessures et de dommages matériels !
- N'utilisez pas ou ne placez pas de matériaux sensibles à la température tels que des aérosols inflammables, des

objets inflammables, de la glace sèche ou d'autres agents chimiques à proximité du réfrigérateur. Risque d'incendie ou d'explosion !

- Ne stockez pas de matières explosives telles que des aérosols contenant des matériaux inflammables à l'intérieur de l'appareil.
- Ne placez pas de canettes contenant des liquides sur l'appareil. L'éclaboussure d'eau sur une pièce électrique peut entraîner un risque d'électrocution ou d'incendie.
- Cet appareil n'est pas destiné au stockage et au refroidissement de médicaments, de plasma sanguin, de préparations de laboratoire ou de matériaux et produits similaires qui sont soumis à la directive sur les produits médicaux.
- Si l'appareil est utilisé à d'autres fins que celles pour lesquelles il a été conçu, il peut endommager ou détériorer les produits qu'il contient.
- Si votre réfrigérateur est équipé d'un voyant lumineux bleu, ne contemplez pas le voyant lumineux avec des instruments optiques. Ne fixez pas directe-

ment la lumière LED à UV pendant une longue période, car les rayons ultraviolets peuvent entraîner la fatigue oculaire.

- Ne remplissez pas l'appareil de nourriture dépassant sa capacité. Des blessures ou des dégâts peuvent survenir au cas où le contenu du réfrigérateur tombe lorsque la porte est ouverte. Des problèmes similaires peuvent survenir lorsqu'un objet est placé sur l'appareil.
- Pour éviter tout risque de blessures, rassurez-vous que vous avez retiré toute la glace ou toute l'eau qui auraient pu se verser au sol.
- Changez l'emplacement des casiers/porte-bouteilles sur la porte de votre réfrigérateur uniquement lorsqu'ils sont vides. Risque de blessures !
- Ne placez aucun objet qui pourrait tomber ou basculer sur l'appareil. Ces objets peuvent tomber lors de l'ouverture ou de la fermeture de la porte, et causer des blessures et/ou des dégâts matériels.

- Ne frappez ni n'exercez aucune pression excessive sur les surfaces en verre. Le verre brisé peut causer des blessures et/ou des dégâts matériels.

- Le système de refroidissement de votre produit contient du réfrigérant R600a. Le type de réfrigérant utilisé dans le produit est spécifié sur la plaque signalétique. Ce gaz est inflammable. Par conséquent, veillez à ne pas endommager le système de refroidissement et les tuyaux pendant l'utilisation de l'appareil. Si les tuyaux sont endommagés :

1. Ne touchez pas l'appareil ni le câble d'alimentation,
2. Maintenez l'appareil éloigné des sources potentielles d'incendie qui pourraient causer l'incendie de l'appareil,
3. Aérez la zone où l'appareil est placé, - N'utilisez pas de ventilateur,
4. Contactez un centre de service agréé.
5. Si l'appareil est endommagé et que vous observez une fuite de gaz, éloignez-vous

du gaz. Le gaz peut causer des gelures lorsqu'il entre en contact avec votre peau.



1.7 Sécurité du stockage des aliments

Veillez prêter attention aux avertissements suivants afin d'éviter la détérioration des aliments :

- Laisser les portes ouvertes pendant une longue période peut entraîner une augmentation de la température à l'intérieur du produit.
- Nettoyez régulièrement les systèmes de drainage accessibles en contact avec les aliments.
- Nettoyez les réservoirs d'eau qui n'ont pas été utilisés pendant 48 heures et les systèmes d'alimentation en eau qui n'ont pas été utilisés pendant plus de 5 jours.
- Conservez les produits de viande et de poisson crus dans des compartiments appropriés à l'intérieur de l'appareil. Ainsi, ils ne coulent pas sur les autres aliments et n'entre pas en contact avec eux.
- Les compartiments de congélation à deux étoiles permettent de conserver les ali-

ments pré-cuisinés, de préparer et de conserver la glace et la crème glacée.

- Les compartiments à une, deux et trois étoiles ne conviennent pas à la congélation des aliments frais.
- Si le produit réfrigérant est resté vide pendant une longue période, éteignez le produit, dégivrez, nettoyez et séchez le produit afin de protéger le boîtier de l'appareil.

1.8 **Sécurité relative à l'entretien et au nettoyage**

- Ne tirez pas sur la poignée de la porte si vous devez déplacer l'appareil pour le nettoyer. La poignée peut causer des blessures si vous la tirez trop fort.
- Ne nettoyez pas l'appareil en pulvérisant ou en versant de l'eau dessus et à l'intérieur. Risque de choc électrique et d'incendie.
- Lors du nettoyage de l'appareil, n'utilisez pas d'outils tranchants et abrasifs ni de pro-

duits de nettoyage ménagers, de détergents, d'essence, de diluant, d'alcool, de vernis et de substances similaires. Utilisez des produits de nettoyage et d'entretien qui ne sont pas nocifs pour les aliments uniquement à l'intérieur de l'appareil.

- N'utilisez jamais de vapeur ou de matériel de nettoyage à vapeur pour nettoyer l'appareil et faire fondre la glace qui s'y trouve. Lorsque la vapeur entre en contact avec les zones sensibles de votre réfrigérateur, elle peut provoquer un court-circuit ou un choc électrique.
- Veillez à éloigner l'eau des circuits électroniques ou de l'éclairage de l'appareil.
- Utilisez un torchon propre et sec pour essuyer la poussière ou les corps étrangers sur les extrémités des fiches. N'utilisez pas de torchon humide ou mouillé pour nettoyer la fiche. Ceci, pour éviter tout risque d'incendie ou de choc électrique.

2 Instructions environnementales

2.1 Conformité avec la directive DEEE et élimination des déchets



Cet appareil est conforme à la directive DEEE de l'Union européenne (2012/19/UE). Le produit possède un symbole de classification attribué aux déchets d'équipements électriques et électroniques (DEEE).

Ce symbole indique que cet appareil ne doit pas être mis au rebut avec les ordures ménagères à la fin de sa durée de vie. Les appareils usagés doivent être retournés au point de collecte officiel pour le recyclage des dispositifs électriques et électroniques. Pour trouver ces systèmes de collecte, veuillez contacter les autorités locales ou le détaillant à l'endroit où l'appareil a été acheté. Chaque ménage joue un rôle important dans la récupération et le recyclage des vieux appareils ménagers. La mise au rebut

appropriée des appareils usagés permet de prévenir les conséquences négatives potentielles pour l'environnement et la santé humaine.

FR

Conformité à la directive RoHS

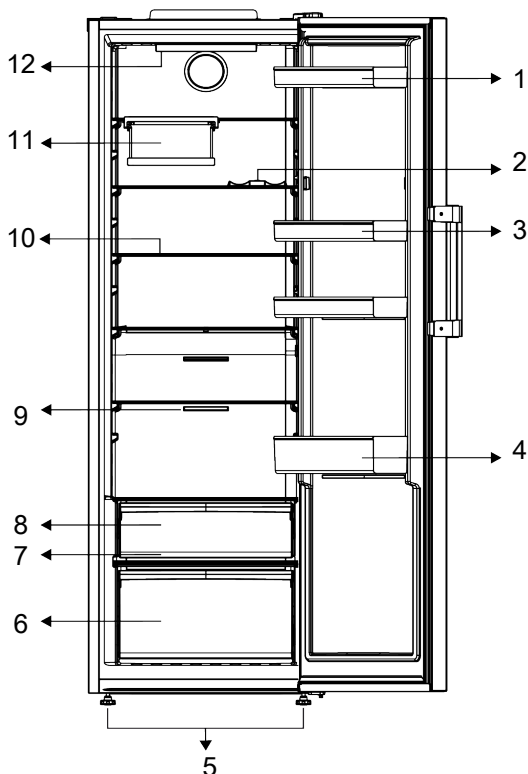
Votre appareil est conforme à la directive RoHS de l'Union européenne (2011/65/UE). Il ne comporte pas de matériaux dangereux et interdits mentionnés dans la directive.



Informations sur l'emballage

Les matériaux d'emballage de cet appareil sont fabriqués à partir de matériaux recyclables, conformément à nos réglementations nationales en matière d'environnement. Ne mettez pas les matériaux d'emballage au rebut avec les ordures ménagères et d'autres déchets. Apportez-les aux points de collecte des matériaux d'emballage désignés par les autorités locales.

3 Votre réfrigérateur



- | | |
|------------------------------|---------------------------------------|
| 1 Porte-œuf | 2 * Étagère pour les bouteilles |
| 3 Étagères réglables | 4 Étagères de porte réglables |
| 5 Pieds avant réglables | 6 Bac à légumes |
| 7 * Everfresh | 8 * Compartiment de stockage du froid |
| 9 Ventilateur | 10 Étagères réglables |
| 11 * Porte-bouteille pliable | 12 * Lampe d'éclairage |

***En option :** Les illustrations présentées dans ce manuel d'utilisation sont schématiques et peuvent ne pas correspondre exact-

tement à votre produit. Si votre appareil ne présente pas les parties citées, alors l'information s'applique à d'autres modèles.

4 Installation



Lisez d'abord la section « Instructions de sécurité » !

4.1 Lieu idéal d'installation

Contactez le service agréé pour l'installation de votre réfrigérateur. Pour préparer l'installation du réfrigérateur, lisez attentivement les

instructions du manuel d'utilisation et assurez-vous que les équipements électriques et d'approvisionnement d'eau sont installés convenablement. Si ce n'est pas le cas, appelez un électricien et un plombier pour faire le nécessaire pour les services publics.



AVERTISSEMENT :

Le fabricant ne sera pas tenu responsable en cas de problèmes causés par des travaux effectués par des personnes non autorisées.



AVERTISSEMENT :

Débranchez le câble d'alimentation du réfrigérateur pendant l'installation. Le non-respect de cette consigne peut entraîner la mort ou des blessures graves !



AVERTISSEMENT :

Si le cadre de la porte est trop étroit pour laisser passer l'appareil, retirez la porte et faites passer l'appareil sur les côtés ; si cela ne fonctionne pas, contactez le service agréé.

- Placez l'appareil sur une surface plane pour éviter les vibrations.
- Placez le produit à 30 cm du chauffage, de la cuisinière et des autres sources de chaleur similaires et à au moins 5 cm des fours électriques.
- N'exposez pas le produit directement à lumière du soleil et ne le laissez pas dans des environnements humides.
- Votre produit nécessite une circulation d'air adéquate pour pouvoir fonctionner efficacement. S'il est placé dans une alcôve, n'oubliez pas de laisser un espace d'au moins 5 cm entre l'appareil, le plafond, la paroi arrière et les parois latérales.
- Vérifiez que l'élément de protection d'espace de la façade arrière est présent à son emplacement (au cas où il est fourni avec l'appareil).

- Si l'élément n'est pas disponible, perdu ou tombé, positionnez l'appareil de manière à laisser un espace d'au moins 5 cm entre la surface arrière de l'appareil et les murs de la pièce. L'espace prévu à l'arrière est important pour le fonctionnement efficace de l'appareil.

4.2 Branchement électrique



Ne branchez pas le réfrigérateur sur une rallonge ou une multiprise.



Les câbles d'alimentation endommagés doivent être remplacés par le service agréé.



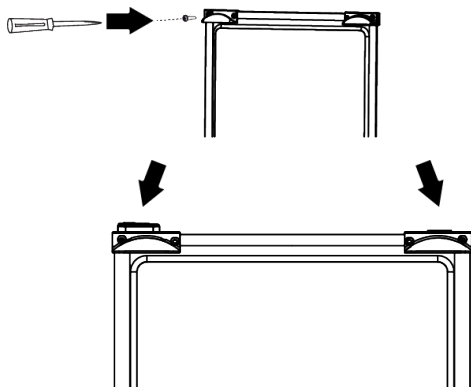
Lorsque deux réfrigérateurs sont installés côte à côte, laissez au moins 4 cm de distance entre les deux appareils

- Notre entreprise ne sera pas tenue responsable de tout dommage résultant de l'utilisation de l'appareil sans prise de mise à la terre ou branchement électrique conforme à la norme nationale en vigueur.
- Gardez la fiche du câble d'alimentation à portée de main après l'installation.
- N'utilisez pas de fiche multigroupe avec ou sans rallonge entre la prise murale et le réfrigérateur.

4.3 Fixation des cales en plastique

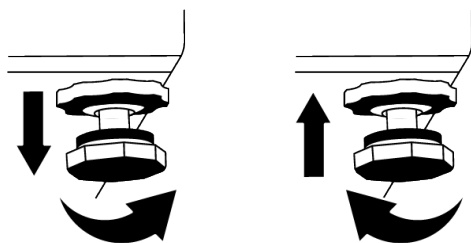
Utilisez les cales en plastiques fournies avec le réfrigérateur pour maintenir une circulation d'air suffisante entre le réfrigérateur et le mur.

1. Pour fixer les cales, retirez les vis du réfrigérateur et utilisez celles fournies avec les cales.
2. Fixez 2 cales en plastique sur le couvercle de ventilation tel qu'illustré par l'image.



4.4 Réglages des pieds avant

Si l'appareil n'est pas équilibré, réglez les pieds avant en les tournant vers la gauche ou la droite.



5 Préparation



Lisez d'abord la section « Instructions de sécurité » !

5.1 Moyens d'économiser l'énergie



Il est dangereux de connecter l'appareil aux systèmes électroniques d'économie d'énergie, ils pourraient l'endommager.

- Cet appareil de réfrigération n'est pas conçu pour être utilisé comme un appareil encastré.
- Ne laissez pas la porte du réfrigérateur ouverte longtemps.
- Ne conservez pas des aliments ou des boissons chaud(e)s dans le réfrigérateur.

4.5 Inversion du côté d'ouverture de la porte

Le côté d'ouverture de la porte de votre réfrigérateur peut être inversé en fonction de l'endroit où vous le placez. En cas de besoin, vous devez absolument appeler le service agréé le plus proche.

4.6 Attention aux surfaces chaudes

Les parois latérales de votre produit sont équipées de tuyaux de refroidissement pour améliorer le système de refroidissement. Un fluide à haute pression peut s'écouler à travers ces surfaces, et provoquer des surfaces chaudes sur les parois latérales. C'est normal et cela ne nécessite pas d'entretien. Faites attention lorsque vous contactez ces zones.


- Ne surchargez pas le réfrigérateur, l'obstruction du flux d'air interne réduira la capacité de réfrigération.
- Afin de charger la quantité maximale d'aliments dans le compartiment congélateur, vous devez retirer les tiroirs supérieurs et placer les aliments sur les clayettes métalliques/en verre. Les informations sur le volume net et la consommation d'énergie déclarées sur l'étiquette énergétique de votre réfrigérateur ont été testées en sortant les tiroirs supérieurs du compartiment réfrigérateur et le bac à glaçons, que l'on peut facilement retirer à la main.
- Il est fortement recommandé d'utiliser le tiroir du bas pour le rangement.


- Selon les caractéristiques de l'appareil, le dégivrage des aliments congelés dans le compartiment réfrigérateur assurera l'économie d'énergie et la préservation de la qualité des aliments.
- Veuillez-vous assurer que les aliments ne sont pas en contact direct avec le capteur de température du compartiment réfrigérateur décrit ci-après.
- Les aliments sont stockés à l'aide des tiroirs du compartiment réfrigéré afin de garantir une économie d'énergie et de protéger les aliments dans de meilleures conditions.
- Les emballages de denrées alimentaires ne doivent pas être en contact direct avec le capteur de température situé dans le compartiment de congélation.
- En cas de contact avec le capteur, la consommation d'énergie de l'appareil peut augmenter


5.2 Première utilisation

Avant d'utiliser votre réfrigérateur, assurez-vous que les installations nécessaires sont conformes aux instructions des sections « Instructions en matière de sécurité et d'environnement » et « Installation ».

- Laissez l'appareil fonctionner à vide pendant 6 heures, et ne l'ouvrez pas sauf en cas de nécessité absolue.
- Le changement de température causé par l'ouverture et la fermeture de la porte pendant l'utilisation du produit peut normalement entraîner la formation de condensation sur les tablettes de la porte/du corps et sur les verres placés dans l'appareil.

 Un son retentit à l'activation du compresseur. Il est normal que l'appareil fasse du bruit même si le compresseur ne fonctionne pas, car du fluide et du gaz peuvent être comprimés dans le système de refroidissement.

 Il est normal que les bords avant du réfrigérateur soient chauds. Ces parties doivent en principe être chaudes afin d'éviter la condensation.

 Pour certains modèles, le panneau indicateur s'éteint automatiquement 1 minute après la fermeture des portes. Il s'active à nouveau à l'ouverture de la porte ou lorsque vous appuyez sur n'importe quelle touche.

5.3 Classe climatique et définitions

Veuillez vous référer à la classe climatique figurant sur la plaque signalétique de votre appareil. L'une des informations suivantes s'applique à votre appareil selon la classe climatique.

- **SN** : Climat tempéré à long terme : Ce dispositif de refroidissement est conçu pour être utilisé à une température ambiante comprise entre 10 °C et 32 °C.
- **N** : Climat tempéré : Ce dispositif de refroidissement est conçu pour être utilisé à une température ambiante comprise entre 16 °C et 32 °C.
- **ST** : Climat subtropical : Ce dispositif de refroidissement est conçu pour être utilisé à une température ambiante comprise entre 16 °C et 38 °C.
- **T** : Climat tropical : Ce dispositif de refroidissement est conçu pour être utilisé à une température ambiante comprise entre 16 °C et 43 °C.

6 Fonctionnement de l'appareil



Lisez d'abord la section « Instructions de sécurité » !

- Ce produit ne convient pas à la congélation des aliments.

- Il ne faut pas utiliser d'outils mécaniques ou autres que les recommandations du fabricant pour accélérer l'opération de décongélation.
- Évitez d'utiliser des parties de votre réfrigérateur, telles que la porte ou les tiroirs, comme support ou comme marchepied. Cela peut faire trébucher le produit ou endommager ses composants.
- Le produit ne doit être utilisé que pour la conservation des aliments.
- Fermez le robinet d'eau si vous vous absentez de chez vous (par exemple, en vacances) et que vous n'utilisez pas le distributeur d'eau ou le distributeur de glace

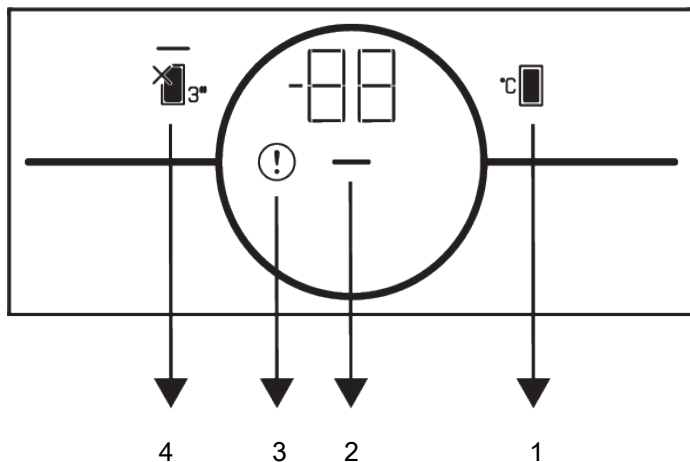
pendant une longue période. Dans le cas contraire, des fuites d'eau peuvent se produire.

Interruption du programme

- Si vous n'avez pas l'intention d'utiliser le produit pendant une longue période, débranchez-le de la prise de courant.
- Enlevez la nourriture pour éviter les odeurs.
- Attendez que la glace fonde, nettoyez l'intérieur et laissez-le sécher, laissez les portes ouvertes pour éviter d'endommager les plastiques intérieurs de la carrosserie.

7 Utilisation de votre appareil

7.1 Panneau de contrôle du produit



1 Sıcaklık Ayar Tuşu

3 Hata Durumu Göstergesi

2 Enerji Tasarrufu (Ekran Kıpalı) Göstergesi

4 Soğutucu Bölme Kapama(Tatil)Fonksiyonu Tuşu



Lisez d'abord la section « Instructions de sécurité ».

Les fonctions sonores et visuelles dudit panneau vous aident à utiliser votre réfrigérateur.

***En option :** Les fonctions indiquées sont facultatives, il peut y avoir des différences de forme et d'emplacement au niveau des fonctions indiquées sur le panneau d'affichage de votre appareil.

1. Touche de réglage de température



Le réglage de la température est effectué pour le réfrigérateur. La température du compartiment peut être réglée sur les valeurs suivantes : 1 °C, 2 °C, 3 °C, 4 °C, 5 °C, 6 °C, 7 °C, 8 °C.

2. Indicateur d'économie d'énergie (affichage éteint)

La fonction d'économie d'énergie est activée automatiquement et le symbole d'économie d'énergie s'affiche lorsque la porte du produit n'est pas ouverte ou fermée pendant un certain temps. Lorsque la fonction d'économie d'énergie est active, tous les symboles sur l'écran autres que le symbole d'économie d'énergie doivent être désactivés.

Lorsque cette fonction est utilisée, la pression sur une touche quelconque ou l'ouverture de la porte entraîne sa désactivation et les voyants allumés retournent à la normale. La fonction d'économie d'énergie est une fonction activée départ usine et ne peut être annulée.

3. Indicateur de condition de défaut !

Cet indicateur doit être activé lorsque votre réfrigérateur ne peut pas assurer un refroidissement adéquat ou en cas d'erreur de

capteur. La lettre « E » s'affiche sur l'indicateur de température du compartiment congélateur et les chiffres 1, 2, 3 s'affichent sur l'indicateur de température du compartiment réfrigérateur. Les chiffres qui s'affichent sur l'indicateur indiquent le service à contacter en cas de panne. Si vous laissez la porte ouverte pendant une période prolongée, un point d'exclamation peut s'allumer. Il ne s'agit pas d'un défaut, cet avertissement disparaît lorsque l'aliment est refroidi ou lorsqu'on appuie sur une touche quelconque.

4. Touche de fonction Arrêt du compartiment réfrigéré (vacances)



Appuyez sur la touche pendant 3 secondes pour activer la fonction vacances. Le mode vacances est activé et la LED sur la touche est allumée. Toutes les icônes de l'indicateur de température du compartiment réfrigérateur s'éteignent et le compartiment réfrigérant n'effectue pas de refroidissement actif. Vous ne devez pas conserver vos aliments dans le compartiment réfrigérateur lorsque cette fonction est activée. Il suffit d'appuyer et de maintenir à nouveau sur la touche pendant 3 secondes pour annuler cette fonction.

7.2 Stockage des aliments dans le compartiment réfrigérant

- La température des compartiments augmente considérablement si la porte du compartiment est ouverte et fermée fréquemment et si elle reste ouverte pendant longtemps, ce qui peut réduire la durée de vie des aliments et les faire se gâter.
- Afin de ne pas provoquer de changements d'odeur et de goût, les aliments doivent être conservés dans des récipients fermés.
- Ne conservez pas de quantités excessives d'aliments dans votre réfrigérateur. Pour obtenir un refroidissement plus efficace et homogène, placez les aliments séparément de manière à ce que l'air froid puisse circuler.
- Assurez la circulation de l'air en laissant un espace entre l'aliment et la paroi interne. Si vous appuyez les aliments contre la paroi arrière, ils risquent de geler.
- Amenez les plats chauds cuisinés à la température ambiante avant de les placer dans le réfrigérateur. Ensuite, vous pouvez placer le repas tiède dans les étagères inférieures de votre réfrigérateur. Ne placez pas les repas tièdes à proximité des aliments qui peuvent facilement se gâter.
- Décongelez vos aliments congelés dans le compartiment des aliments frais. Ainsi, vous pouvez refroidir le compartiment des aliments frais en utilisant des aliments congelés et économiser de l'énergie.

- La conservation au réfrigérateur de fruits tropicaux non mûrs (mangue, variétés de melon, papaye, banane, ananas) peut accélérer le processus de maturation. Ce n'est pas recommandé car cela raccourcira la durée de conservation.
- Vous devez conserver les oignons, les aulx, les gingembres et les autres légumes-racines dans une pièce sombre et froide, et non au réfrigérateur.
- Si vous remarquez qu'un aliment a tourné dans le réfrigérateur, jetez-le et nettoyez les accessoires qui ont été en contact avec cet aliment.
- Pour refroidir rapidement les plats tels que les soupes et les ragoûts, qui sont cuits dans de grandes marmites, vous pouvez les mettre au réfrigérateur en les séparant dans leurs propres récipients peu profonds.
- Ne placez pas les aliments non emballés à proximité des œufs.
- Conservez les fruits et légumes séparément et stockez chaque variété ensemble (par exemple : les pommes avec les pommes, les carottes avec les carottes).
- Sortez les légumes verts du sac en plastique et placez-les au réfrigérateur après les avoir enveloppés dans une serviette en papier ou un linge sec. Si vous lavez ce type d'aliments avant de les placer dans le réfrigérateur, n'oubliez pas de les sécher.
- Vous pouvez à la fois créer un environnement humide et assurer une circulation d'air en conservant les fruits et légumes, qui ont tendance à sécher, dans des sacs en plastique perforés ou non fermés.
- Sauf en cas de circonstances extrêmes dans l'environnement, si votre produit (sur le tableau des valeurs de consigne recommandées) est réglé sur les valeurs de consigne spécifiées, les aliments conservent leur fraîcheur plus longtemps, aussi bien dans le compartiment des produits frais que dans celui du congélateur.

Rangez les aliments dans les différents endroits en fonction de leurs propriétés :	
Aliment	Lieux
OEuf	Balconnet
Produits laitiers (beurre, fromage)	Si disponible, compartiment zéro degré (pour les aliments du petit-déjeuner)
Fruits, légumes et verdure	Compartiment fruits-légumes, bac à légumes ou Compartiment EverFresh+ (si disponible)
Viande fraîche, volaille, poisson, saucisses, etc. Aliments cuits	Si disponible, compartiment zéro degré (pour les aliments du petit-déjeuner)
Aliments prêts à consommer, produits emballés, conserves, produits marinés	Étagères supérieures ou balconnet
Boissons, bouteilles, épices et snacks	Balconnet

Placer les aliments

Étagères du compartiment réfrigérateur

:Les aliments contenus dans des casseroles, des plats couverts, des gamelles et les œufs (dans des gamelles)

Balconnets de la porte du compartiment réfrigérateur: Aliments ou boissons de petite taille et emballés.

Bac à légumes :Légumes et fruits

7.3 Bac à légumes

Le bac à légumes du réfrigérateur est conçu pour conserver les légumes frais en préservant leur humidité. À cette fin, la circulation générale d'air froid est intensifiée dans le bac à légumes. Conservez les fruits et les légumes dans ce compartiment. Conservez séparément les légumes verts et les fruits pour prolonger leur durée de vie.

7.4 Zone d'entreposage frais des produits laitiers

Tiroir de stockage du froid

Le tiroir de stockage du froid peut atteindre des températures plus basses dans le compartiment réfrigérant. Utilisez ce tiroir pour les produits de charcuterie (salami, saucisse, etc.) et les produits laitiers qui nécessitent des conditions de stockage plus froides, ou pour la viande, le poulet ou le poisson à consommer rapidement. Il n'est pas possible de stocker des fruits et des légumes dans ce tiroir.

7.5 Inversion du côté d'ouverture de la porte

Le côté d'ouverture de la porte de votre réfrigérateur peut être inversé en fonction de l'endroit où vous le placez. En cas de besoin, vous devez absolument appeler le service agréé le plus proche.


7.6 Alerte de porte ouverte

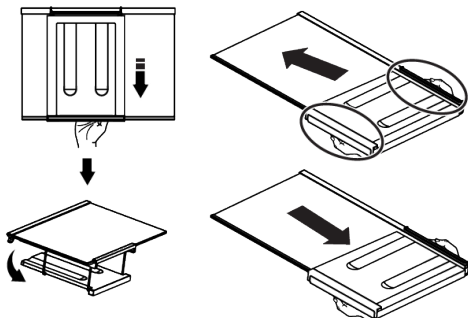
Alerte de porte ouverte

Un signal sonore est émis si la porte de l'appareil reste ouverte pendant 1 minute. L'alerte sonore s'arrête lorsque vous fermez la porte de l'armoire ou appuyez sur n'importe quel bouton de l'écran (si disponible).

7.7 Porte-bouteille pliable

Il permet à l'utilisateur de stocker des bouteilles de vin si nécessaire. Pour utiliser la section de la crémaillère, saisissez la partie en plastique et tirez-la doucement vers le bas. Vous pouvez maintenant utiliser le porte-bouteilles pliable.

 Il est recommandé de stocker un maximum de 2 bouteilles de vin sur le porte-bouteilles pliable.



Pour regrouper le porte-bouteille, retirez premièrement la tablette en verre du réfrigérateur. Placez-le sur l'étagère en verre en poussant la partie en plastique dans les rainures avant et arrière, comme indiqué sur la photo. Le produit sera prêt à être utilisé avec le porte-vin pliable.

Pour retirer le porte-bouteilles pliable, premièrement, retirez la tablette en verre du réfrigérateur. Saisissez ensuite la partie en plastique et tirez-la dans n'importe quelle direction. Vous pouvez maintenant utiliser l'appareil sans porte-bouteilles pliable si nécessaire.

7.8 Remplacement de la lampe d'éclairage

Appelez le service autorisé lorsque l'ampoule/LED utilisée pour l'éclairage de votre réfrigérateur doit être remplacée.

La ou les lampes utilisées dans cet appareil ne peuvent pas être utilisées pour l'éclairage de la maison. L'objectif de cette lampe est d'aider l'utilisateur à placer les aliments dans le réfrigérateur/congélateur de manière sûre et confortable.

8 Entretien et nettoyage



AVERTISSEMENT :

Lisez d'abord la section « Instructions de sécurité ».



AVERTISSEMENT :

Débranchez le réfrigérateur avant le nettoyage.

- N'utilisez pas des objets pointus ou des produits de nettoyage abrasifs pour nettoyer l'appareil. Il ne faut pas utiliser de matériaux tels que des produits d'entretien ménager, du savon, des détergents, du gaz, de l'essence, un diluant, de l'alcool, de la cire, etc.
- La poussière doit être enlevée de la grille de ventilation située à l'arrière du produit au moins une fois par an (sans ouvrir le couvercle). Nettoyez l'appareil avec un chiffon humide.
- Veillez à ne pas mouiller le logement de la lampe ainsi que d'autres composants électriques.
- Nettoyez la porte avec un chiffon humide. Retirez tout le contenu pour enlever la porte et les supports de carrosserie. Retirez les supports de porte en les soulevant vers le haut. Nettoyez et séchez les étagères, puis refixez-les en les faisant glisser à partir du haut.
- N'utilisez pas d'eau contenant du chlore, ou des produits de nettoyage pour les surfaces externes et les pièces chromées de l'appareil. Le chlore entraîne la corrosion de ce type de surfaces métalliques.
- Il ne faut pas utiliser d'outils tranchants et abrasifs, de savon, de produits d'entretien ménager, de détergents, de gaz, d'essence, de vernis et de substances similaires pour empêcher la déformation de la pièce en plastique et l'élimination des empreintes sur la pièce. Utilisez de l'eau chaude et un chiffon doux pour le nettoyage, puis séchez-le.
- Sur les produits sans fonction « No-Frost », des gouttelettes d'eau et un givre pouvant atteindre l'épaisseur d'un doigt peuvent se former sur la paroi arrière du compartiment congélateur. Ne nettoyez pas et n'appliquez jamais d'huiles ou de produits similaires.
- Utilisez un chiffon en microfibrilles légèrement humidifié pour nettoyer la surface extérieure du produit. Les éponges et autres types de vêtements de nettoyage peuvent provoquer des éraflures.
- Afin de nettoyer tous les composants amovibles pendant le nettoyage de la surface intérieure du produit, il faut laver ces composants avec une solution douce composée de savon, d'eau et de carbonate. Lavez et séchez soigneusement. Évitez le contact de l'eau avec les composants d'éclairage et le panneau de contrôle.



ATTENTION :

N'utilisez pas de vinaigre, d'alcool à friction ni de produits nettoyants à base d'alcool sur les surfaces intérieures.

Surfaces extérieures en acier inoxydable

Utilisez un produit de nettoyage non abrasif pour l'acier inoxydable et appliquez-le avec un chiffon doux non pelucheux. Pour polir, essuyez doucement la surface avec un chiffon en microfibrilles humidifié à l'eau et utilisez une peau de chamois sèche. Suivez toujours les veines de l'acier inoxydable.

Prévention des odeurs

À sa sortie d'usine, cet appareil ne contient aucun matériau odorant. Cependant, la conservation des aliments dans des sections inappropriées et le mauvais nettoyage de l'intérieur peuvent donner lieu aux mauvaises odeurs.

- Pour éviter cela, nettoyez l'intérieur à l'aide de carbonate dissout dans l'eau tous les 15 jours.
- Conservez les aliments dans des récipients scellés, car les micro-organismes provenant des aliments conservés dans des récipients non scellés provoquent une mauvaise odeur.
- Ne conservez pas d'aliments périmés ou avariés dans le réfrigérateur.

Protection des surfaces en plastique

Si de l'huile se répand sur les surfaces en plastique, il faut immédiatement les nettoyer avec de l'eau tiède, sinon elles seront endommagées.

9 Dépannage

Vérifiez la liste suivante avant de contacter le service après-vente. Cela devrait vous éviter de perdre du temps et de l'argent. Cette liste répertorie les plaintes fréquentes ne provenant pas de vices de fabrication ou des défauts de pièces. Certaines fonctionnalités mentionnées dans ce manuel peuvent ne pas exister sur votre modèle.

Le réfrigérateur ne fonctionne pas.

- La fiche électrique n'est pas correctement insérée. >>> Branchez-la en l'enfonçant complètement dans la prise.
- Le fusible branché à la prise qui alimente l'appareil ou le fusible principal est grillé. >>> Vérifiez les fusibles.

Condensation sur la paroi latérale du congélateur (MULTI ZONE, COOL, CONTROL et FLEXI ZONE).

- La porte a été ouverte trop fréquemment >>> Évitez d'ouvrir trop fréquemment la porte de l'appareil.
- L'environnement est trop humide. >>> N'installez pas l'appareil dans des endroits humides.
- Les aliments contenant des liquides sont conservés dans des récipients non fermés. >>> Conservez ces aliments dans des emballages scellés.
- La porte de l'appareil est restée ouverte. >>> Ne laissez pas la porte de l'appareil ouverte longtemps.
- Le thermostat est réglé sur une température très froide. >>> Réglez le thermostat à la température appropriée.

Le compresseur ne fonctionne pas.

- En cas de coupure soudaine de courant ou de débranchement intempestif, la pression du gaz dans le système de réfrigération de l'appareil n'est pas équilibrée, ce qui déclenche la fonction de conservation thermique du compresseur. L'appareil se remet en marche au bout de 6 minutes environ. Dans le cas contraire, veuillez contacter le service de maintenance.

- Le dégivrage est actif. >>> Ce processus est normal pour un appareil à dégivrage complètement automatique. Le dégivrage se déclenche périodiquement.
- L'appareil n'est pas branché. >>> Vérifiez que le cordon d'alimentation est branché.
- Le réglage de la température est incorrect. >>> Sélectionnez le réglage de température approprié.
- Absence d'énergie électrique. >>> Le produit continuera à fonctionner normalement une fois le courant rétabli.

Le bruit du réfrigérateur en fonctionnement s'accroît pendant son utilisation.

- Le rendement de l'appareil en fonctionnement peut varier en fonction des fluctuations de la température ambiante. Ceci est normal et ne constitue pas un dysfonctionnement.

Le réfrigérateur fonctionne fréquemment ou pendant de longues périodes.

- Il se peut que le nouvel appareil soit plus grand que l'ancien. Les appareils plus grands fonctionnent plus longtemps.
- La température de la pièce est peut-être trop élevée. >>> Il est normal que l'appareil fonctionne plus longtemps quand la température de la pièce est élevée.
- L'appareil vient peut-être d'être branché ou chargé de nouvelles denrées alimentaires. >>> L'appareil met plus longtemps à atteindre la température réglée s'il vient d'être branché ou récemment rempli de denrées. C'est normal.
- Il est possible que des quantités importantes d'aliments chauds aient été récemment placées dans l'appareil. >>> Ne mettez pas d'aliments chauds à l'intérieur de l'appareil.
- Les portes étaient ouvertes fréquemment ou sont restées longtemps ouvertes. >>> L'air chaud qui se déplace à l'intérieur permet à l'appareil de fonctionner plus longtemps. N'ouvrez pas les portes trop fréquemment.

- Il est possible que la porte du congélateur soit entrouverte. >>> Vérifiez que les portes sont complètement fermées.
- L'appareil peut être réglé à une température trop basse. >>> Réglez la température à un degré supérieur et attendez que l'appareil atteigne la nouvelle température.
- Le joint de la porte du congélateur peut être sale, usé, cassé, ou mal positionné. >>> Nettoyez ou remplacez le joint d'étanchéité. Si le joint du congélateur est endommagé ou arraché, l'appareil prendra plus longtemps à conserver la température actuelle.

La température du congélateur est très basse, alors que celle du réfrigérateur est appropriée.

- La température du compartiment congélateur est très basse. >>> Réglez la température du compartiment congélateur à un degré supérieur et vérifiez à nouveau.

La température du réfrigérateur est très basse, alors que celle du congélateur est appropriée.

- La température du compartiment réfrigérateur est très basse. >>> Réglez la température du compartiment de refroidissement à un degré supérieur et vérifiez à nouveau.

Les aliments conservés dans le compartiment réfrigérateur sont congelés.

- La température du compartiment réfrigérateur est très basse. >>> Réglez la température du compartiment de refroidissement à un degré supérieur et vérifiez à nouveau.

La température du compartiment réfrigérateur ou congélateur est très élevée.

- La température du compartiment réfrigérateur est réglée à un degré très élevé. >>> Le réglage de la température du compartiment réfrigérateur a une incidence sur la température du compartiment congélateur. Attendez jusqu'à ce que la température des pièces correspondantes atteigne le niveau d'efficacité requis en changeant la température des compartiments réfrigérateur ou congélateur.

- Les portes étaient ouvertes fréquemment ou sont restées longtemps ouvertes. >>> N'ouvrez pas les portes trop fréquemment.
- La porte peut être entrouverte. >>> Fermez complètement la porte.
- L'appareil vient peut-être d'être branché ou chargé de nouvelles denrées alimentaires. >>> Cela est normal. L'appareil met plus longtemps à atteindre la température réglée s'il vient d'être branché ou récemment rempli de denrées.
- Il est possible que des quantités importantes d'aliments chauds aient été récemment placées dans l'appareil. >>> Ne mettez pas d'aliments chauds à l'intérieur de l'appareil.

En cas de vibrations ou de bruits.

- La surface n'est pas plate ou durable >>> Si l'appareil balance lorsqu'il est déplacé doucement, ajustez les supports afin de le remettre en équilibre. Assurez-vous également que le sol est assez solide pour supporter l'appareil.
- Les éléments placés sur l'appareil peuvent être à l'origine du bruit. >>> Retirez tous les éléments placés sur l'appareil.
- L'appareil émet un bruit d'écoulement de liquide ou de pulvérisation, etc.
- Les principes de fonctionnement de l'appareil impliquent des écoulements de liquides et des émissions de gaz. >>> Ceci est normal et ne constitue pas un dysfonctionnement.

L'appareil émet un sifflement.

- L'appareil effectue le refroidissement à l'aide d'un ventilateur. Ceci est normal et ne constitue pas un dysfonctionnement.

Il y a de la condensation sur les parois internes de l'appareil.

- Un climat chaud ou humide accélère le processus de givrage et de condensation. Ceci est normal et ne constitue pas un dysfonctionnement.

- Les portes étaient ouvertes fréquemment ou sont restées longtemps ouvertes. >>> N'ouvrez pas les portes trop fréquemment ; fermez-les lorsqu'elles sont ouvertes.
- La porte peut être entrouverte. >>> Fermez complètement la porte.

Il y a de la condensation sur les parois externes ou entre les portes de l'appareil.

- Il se peut que le climat ambiant soit humide, auquel cas cela est normal. >>> La condensation se dissipera lorsque l'humidité sera réduite.

Présence d'une odeur désagréable dans l'appareil.

- L'appareil n'est pas nettoyé régulièrement. >>> Nettoyez régulièrement l'intérieur à l'aide d'une éponge, de l'eau tiède et du carbonate dissout dans l'eau.
- Certains récipients et matériaux d'emballage sont peut-être à l'origine des mauvaises odeurs. >>> Utilisez des récipients et des emballages exempts de toute odeur.
- Les aliments étaient placés dans des récipients ouverts. >>> Conservez les aliments dans des récipients fermés. Des micro-organismes peuvent se proliférer dans des récipients non fermés et émettre de mauvaises odeurs.
- Retirez tous les aliments périmés ou avariés de l'appareil.

La porte ne se ferme pas.

- Les paquets d'aliments peuvent bloquer la porte. >>> Déplacez tout ce qui bloque les portes.
- L'appareil ne se tient pas parfaitement droit sur le sol. >>> Ajustez les supports afin de remettre l'appareil en équilibre.
- La surface n'est pas plane ou durable >>> Assurez-vous que la surface est plane et suffisamment durable pour supporter le produit.

Le bac à légumes est bloqué.

- Il est possible que les aliments soient en contact avec la section supérieure du bac. >>> Reclassez les aliments dans le bac.

Température à la surface de l'appareil.

- Une température élevée peut être observée entre deux portes, sur les panneaux latéraux et sur la zone du gril arrière lorsque votre produit est utilisé. C'est normal et cela ne nécessite pas d'entretien.

Le ventilateur continue de fonctionner lorsque la porte est ouverte.

- Le ventilateur peut continuer à fonctionner lorsque la porte du congélateur est ouverte.



AVERTISSEMENT : Si le problème persiste même après observation des instructions contenues dans cette partie, contactez votre fournisseur ou un service de maintenance agréé. N'essayez pas de réparer vous-même l'appareil. C'est normal.

CLAUDE DE NON-RESPONSABILITÉ / AVERTISSEMENT

Certaines défaillances (simples) peuvent être traitées de manière adéquate par l'utilisateur final sans qu'aucun problème de sécurité ou d'utilisation dangereuse ne survienne, à condition qu'elles soient effectuées dans les limites et conformément aux instructions suivantes (voir la section « Auto-réparation »). Par conséquent, sauf autorisation contraire dans la section « Auto-réparation » ci-dessous, adressez-vous à des réparateurs professionnels agréés pour toutes réparations afin d'éviter des problèmes de sécurité. Un

réparateur professionnel agréé est une personne à qui le fabricant a donné accès aux instructions et à la liste des pièces détachées de ce produit selon les méthodes décrites dans les actes législatifs en application de la directive 2009/125/CE

Toutefois, seul l'agent de service (c'est-à-dire les réparateurs professionnels agréés) que vous pouvez joindre au numéro de téléphone indiqué dans le manuel d'utilisation/la carte de garantie ou par l'intermédiaire de votre fournisseur

agréé peut fournir un service conformément aux conditions de garantie. Par conséquent, veuillez noter que les réparations effectuées par des réparateurs professionnels (qui ne sont pas autorisés par) Grundig Marka annulent la garantie.

Auto-réparation

L'auto-réparation peut être effectuée par l'utilisateur final en ce qui concerne les pièces de rechange suivantes : poignées de porte, charnières de porte, plateaux, paniers et joints de porte (une liste mise à jour est également disponible sur support.grundig.com à partir du 1er mars 2021).

En outre, pour garantir la sécurité du produit et éviter tout risque de blessure grave, ladite auto-réparation doit être effectuée en suivant les instructions du manuel d'utilisation pour l'auto-réparation ou celles disponibles sur support.grundig.com. Pour votre sécurité, débranchez le produit avant de procéder à toute auto-réparation.

Les réparations et tentatives de réparation par les utilisateurs finaux pour des pièces ne figurant pas dans cette liste et/ou ne suivant pas les instructions des manuels d'utilisation pour l'auto-réparation ou celles disponibles sur support.grundig.com, pourraient donner lieu à des problèmes de sécurité non imputables à Grundig, et annuleront la garantie du produit.

Il est donc fortement recommandé aux utilisateurs finaux de s'abstenir de tenter d'effectuer des réparations ne figurant pas sur la liste des pièces de rechange mentionnée, mais de contacter dans de tels cas des réparateurs professionnels autorisés ou des réparateurs professionnels agréés. Au contraire, de telles tentatives de la part des utilisateurs finaux peuvent causer des problèmes de sécurité et endommager le produit et, par la suite, provoquer un incendie, une inondation, une électrocution et des blessures corporelles graves.

À titre d'exemple, mais sans s'y limiter, vous devez vous adresser à des réparateurs professionnels autorisés ou à des réparateurs

professionnels agréés pour les réparations suivantes : compresseur, circuit de refroidissement, carte mère, carte d'inverseur, panneau d'affichage, etc.

Le fabricant/vendeur ne peut être tenu responsable dans tous les cas où les utilisateurs finaux ne se conforment pas à ce qui précède.

La disponibilité des pièces de rechange du réfrigérateur que vous avez acheté est de 10 ans. Pendant cette période, les pièces de rechange d'origine seront disponibles pour faire fonctionner le réfrigérateur correctement.

La durée minimale de garantie du réfrigérateur que vous avez acheté est de 24 mois. Cet appareil est équipé d'une source d'éclairage de classe énergétique « G ».

La source d'éclairage de cet appareil ne doit être remplacée que par des réparateurs professionnels



Læs venligst denne brugervejledning først!

Kære kunder

Læs betjeningsvejledningen før installation eller brug af dette produkt.


Tak, fordi du har valgt dette produkt fra Grundig . Vi vil gerne have, at du opnår den optimale effektivitet med dette høj kvalitetsprodukt, der er fremstillet med avanceret teknologi. For at gøre dette skal du læse denne vejledning og enhver anden dokumentation, der følger med, omhyggeligt, før du bruger produktet, og opbevar den som reference.

Følg alle advarsler og oplysninger i brugermanualen. På denne måde beskytter du dig selv og dit produkt mod de farer, der kan opstå.

Opbevar brugermanualen. Giv denne brugsanvisning sammen med enheden, hvis du overdrager den til en anden.

De anvendte symboler i denne vejledning er:





	Fare, der kan resultere i død eller personskade.
--	--

	Vigtige oplysninger og nyttige tips til brugen.
--	---

	Læs brugermanualen.
--	---------------------

	Brændbart materiale, advarsel mod brandfare.
--	--

BEMÆRK Fare, der kan forårsage materiel skade på produktet eller det omkringliggende område

		Modeloplysningerne, som er lagret i produktbasen, kan fås på følgende website ved at søge efter din modelidentifikator(*), der findes på energimærkaten. https://eprel.ec.europa.eu/
SUPPLIER'S NAME	MODEL IDENTIFIER → (*)	
		

1	Sikkerhedsinstruktioner	58
1.1	Tilsigtet brug.....	58
1.2	Sikkerhed for børn, sårbare personer og kæledyr	58
1.3	El-sikkerhed.....	59
1.4	Håndteringssikkerhed.....	60
1.5	Installationssikkerhed.....	60
1.6	Driftssikkerhed.....	62
1.7	Sikkerhed ved opbevaring af fødevarer	64
1.8	Vedligeholdelses og rengøringsikkerhed	64
2	Miljøinstruktioner	65
2.1	Overholdelse af WEEE-direktivet og bortskaffelse af affaldsprodukt:	65
3	Dit køleskab	66
4	Installation	67
4.1	Korrekt monteringssted	67
4.2	Elektrisk tilslutning	67
4.3	Montering af plastkiler.....	67
4.4	Justering af benene	68
4.5	Vending af døråbningsside	68
4.6	Advarsel om varme overflader.....	68
5	Klargøring	68
5.1	Sådan opnås energibesparelser....	68
5.2	Første ibrugtagning.....	69
5.3	Klimaklasse og definitioner.....	69
6	Betjening af produktet.....	69
7	Brug af dit apparat.....	70
7.1	Produktets kontrolpanel.....	70
7.2	Opbevaring af mad i kølerummet ..	71
7.3	Skuffer.....	72
7.4	Køleopbevaringsområde til mælkeprodukter	72
7.5	Vending af døråbningsside	72
7.6	Døråbnings-advarsel.....	72
7.7	Foldbar vinreol.....	72
7.8	Udskiftning af pærerne	73
8	Vedligeholdelse og rengøring	73
9	Fejlfinding	74

1 Sikkerhedsinstruktioner

Dette afsnit indeholder de sikkerhedsanvisninger, der er nødvendige for at forebygge risikoen for personskader og materielle skader.

Vores firma skal ikke holdes ansvarlig for skader, der kan opstå, hvis disse instruktioner ikke overholdes.

Installation og reparation skal altid udføres af et autoriseret værksted.

Brug kun originale reservedele og tilbehør.

Originale reservedele leveres i 10 år efter datoen for køb af produktet.

Du må ikke reparere eller udskifte nogen del af apparatet, med mindre det specifikt er angivet i brugsanvisningen.

Lav ikke nogen ændringer på produktet.

1.1 Tilsigtet brug

Dette produkt er ikke egnet til kommercielle formål, og det må ikke anvendes til andre formål end dets tilsigtede anvendelse.

Dette produkt er designet til brug i huse og indendørs.

for eksempel;

- I personalekøkkener i butikker, kontorer og andre arbejdsmiljøer
 - I landbrugsejendomme;
 - I hoteller, moteller eller andre hvilefaciliteter, der bruges af kunderne,
 - På hostels eller lignende miljøer
 - I catering og lignende anvendelser uden for detailbutikker.
- Disse produkter må ikke bruges i åbne eller lukkede udendørs miljøer som fartøjer, altaner eller terrasser. Hvis apparatet udsættes for regn, sne, sol og vind, vil det forårsage elektrisk fare.

1.2 Sikkerhed for børn, sårbare personer og kæledyr

- Dette apparat kan bruges af børn i alderen fra 8 år og derover, af personer med nedsat fysisk, sensorisk eller psykisk funktionsevne eller med manglende erfaring og viden, hvis de er blevet vejledt eller instrueret i brugen af apparatet på en sikker måde og forstår de farer, de er udsat for..

- Børn mellem 3 og 8 år har til-ladelse til at lægge mad og tage mad til/fra køle-skabsproduktet.
- El-produkter er farlige for børn og husdyr. Børn og kæledyr må ikke lege med, klatre eller komme ind i produktet.
- Rengøring og brugervedlige-holdelse må ikke foretages af børn uden at nogen holder op-syn med dem.
- Hold emballagematerialer util-gængelige for børn. Fare for personskade eller kvælning!
Inden bortskaffelse af gamle produkter, der ikke må bruges mere:
 1. Tag el-kablet ud af stikkon-takten.
 2. Klip netledningen over, og tag den ud af apparatet sammen med stikket.
 3. Fjern ikke stativerne og skuf-ferne fra produktet for at for-hindre børn i at komme ind i apparatet.
 4. Fjern dørene.
 5. Opbevar produktet, så det ikke vælter.
 6. Lad ikke børn lege med det gamle produkt.
- Bortskaf ikke produktet ved at brænde det. Eksplosionsfare!

- Hvis der er en lås i produktets dør, skal du holde nøglen uden for børns rækkevidde.

1.3 El-sikkerhed

- Produktet må ikke sættes i stikkontakten under installa-tion, reparation og transport.
- Hvis ledningen er beskadiget, må den kun udskiftes af auto-riseret service for at undgå en-hver risiko, der måtte opstå.
- Træk ikke i strømkablet under produktet eller på bagsiden af produktet. Læg ikke tunge genstande på strømkablet. Strømkablet må ikke blive bø-jet, mast eller komme i kontakt med en varmekilde.
- Brug ikke en forlængerledning, multistik eller adapter til at be-tjene dit produkt.
- Bærbare multi-stik eller bær-bare strømforsyninger kan overophedes og forårsage brand. Brug således ikke en stikdåse bag ved eller i nærhe-den af produktet.
- Strømstikket skal være let til-gængeligt. Hvis dette ikke er muligt, skal der findes en me-kanisme, der opfylder den elektriske lovgivning, og som kobler alle klemmer fra lysnet-

tet (sikring, afbryder, hovedafbryder osv.) på den elektriske installation.

- Rør ikke ved stikket med våde hænder!
- Når du tager stikket ud af stikkontakten, skal du ikke holde fast i strømkablet, men stikket.



1.4 Håndteringssikkerhed

- Dette produkt er tungt, du må ikke håndtere det alene.
- Hold ikke produktet i døren, mens du håndterer produktet.
- Pas på ikke at beskadige kølesystemet og rørene, mens du håndterer produktet. Brug ikke produktet, hvis rørene er beskadigede, og kontakt en autoriseret service.



1.5 Installationssikkerhed

- Kontakt det autoriserede værksted vedrørende udskiftning af lampen For klargøring af produktet til montering, henvises til oplysningerne i brugervejledningen. Sørg endvidere for de fornødne vand- og strømtilslutninger. Hvis ikke, skal du kontakte en elektriker og en blikkenslager for at arrangere etablering af de for-

nødne tilslutninger. Ellers er der risiko for elektrisk stød, brand, problemer med produktet eller personskaade!

- Kontroller, om der er sket skade på produktet, inden du installerer det. Tilslut ikke produktet, hvis det er beskadiget.
- Placer produktet på en jævn og hård overflade, og skab balance med de justerbare ben. Ellers kan køleskabet vælte og forårsage kvæstelser.
- Produktet skal installeres i et tørt og ventileret miljø. Opbevar ikke tæpper, løbere eller lignende gulvbelægninger under produktet. Dette kan medføre risiko for brand som følge af utilstrækkelig ventilation!
- Bloker eller tildæk ikke ventilationsåbningerne. Ellers kan strømforbruget øges, og der kan ske skade på dit produkt.
- Tilslut ikke produktet til forsyningssystemer, f.eks. solenergiforsyninger. Ellers kan dit produkt blive beskadiget på grund af pludselige spændingsændringer!
- Jo mere kølemiddel et køleskab indeholder, jo større skal installationsrummet være. I

meget små rum kan der forekomme en brandfarlig gasluftblanding i tilfælde af en gaslækage i kølesystemet. Mindst 1 m³ volumen kræves for hver 8 gram kølemiddel. Mængden af kølemiddel, der er tilgængeligt i dit produkt, er angivet i typemærket.

- Produktets installationssted må ikke udsættes for direkte sollys, og det må ikke være i nærheden af en varmekilde som komfurer, radiatorer osv. Hvis du ikke kan forhindre installation af produktet i nærheden af en varmekilde, skal du bruge en passende isoleringsplade, og minimumsafstanden til varmekilden skal være som angivet nedenfor.
 - Mindst 30 cm væk fra varmekilder som komfurer, varmeenheder og varmeovne osv.,
 - Og mindst 5 cm væk fra elovne.
- Dit produkt tilhører beskyttelsesklasse I.
- Sæt produktet i en jordet stikkontakt, der er i overensstemmelse med de spændings-, strøm- og frekvensværdier,

der er angivet på typeskiltet. Stikkontakten skal have en sikring på 10A – 16A. Vores firma påtager sig ikke ansvar for skader, der skyldes brug uden jordforbindelse og strømtilslutning i overensstemmelse med lokal nationale regler.

- Produktets strømkabel skal frakobles under montering. Ellers kan der opstå risiko for elektrisk stød og personskade!
- Sæt ikke produktet i løse, ødelagte, beskidte, fedtede stikkontakter eller stikkontakter, der er kommet ud af deres sokkel eller stikkontakter med risiko for vandkontakt.
- Placer strømkablerne (hvis de er tilgængelige) på produktet, så der ikke findes risiko for at man kan snuble over dem.
- Indtrængen af fugt til strømførende dele eller til netledningen kan forårsage kortslutning. Brug derfor ikke produktet i fugtige miljøer eller i områder, hvor vand kan plaske (f.eks. garage, vaskerum osv.) Hvis køleskabet er vådt af vand, skal du tage stikket ud af stikkontakten og kontakte en autoriseret service.

- Tilslut ikke dit køleskab til strømbesparende enheder. Disse systemer er skadelige for produktet



1.6 Driftssikkerhed

- Anvend ikke kemiske opløsningsmidler på produktet. Disse materialer udgør en eksplodingsrisiko.
- I tilfælde af en fejl på produktet, skal du tage stikket ud af stikkontakten og ikke bruge det, før det er repareret af den autoriserede service. Der er risiko for elektrisk stød!
- Placer ikke en flammekilde (f.eks. stearinlys, cigaretter osv.) på produktet eller i nærheden af det.
- Træd ikke på produktet. Risiko for fald og personskade!
- Undgå at beskadige rørene i kølesystemet med skarpe og gennemborende værktøjer. Det kølemedium, der sprøjter ud i tilfælde af punktering af gasrør, rørforlængelser eller overfladebelægning, kan forårsage hudirritation og øjenskader.
- Anbring og betjen ikke elektriske apparater inde i køleskabet/fryseren, medmindre det er anbefalet af producenten.
- Pas på du ikke får nogen del af dine hænder eller krop i klemme i nogen af de bevægelige dele inden i produktet. Vær omhyggelig med at forhindre, at fingrene sidder fast mellem køleskabet og dets dør. Vær forsigtig, mens du åbner eller lukker døren, hvis der er børn omkring.
- Læg ikke is, isterninger eller frosne fødevarer i munden, så snart du tager dem ud af fryseren. Risiko for forfrysning!
- Rør ikke ved indervægge, metaldele i fryseren eller mad, der opbevares inde i køleskabet med våde hænder. Risiko for forfrysning!
- Anbring ikke sodavand eller dåser og flasker, der indeholder væsker, der kan fryses i fryserummet. Dåser eller flasker kan eksplodere. Risiko for personskade og materiel skade!
- Brug ikke materialer, der er følsomme over for temperatur, som brændbar spray, antændelige genstande, tøris eller

andre kemiske stoffer i nærheden af køleskabet. Risiko for brand og eksplosion!

- Opbevar ikke eksplosive stoffer som f.eks. aerosoldåser med et brandbart drivmiddel inde i produktet.
- Anbring ikke dåser, der indeholder væsker, oven på produktet. At sprøjte vand på en elektrisk del kan medføre risiko for elektrisk stød eller brand.
- Dette produkt er ikke beregnet til opbevaring og afkøling af medicin, blodplasma, laboratoriepræparater eller lignende materialer og produkter, der er omfattet af direktivet om medicinske produkter.
- Hvis produktet bruges i modstrid med det tilsigtede formål, kan det forårsage skade på eller forringelse af produkterne, der opbevares indeni.
- Hvis dit køleskab er udstyret med blå lys, skal du ikke se på dette lys med optiske enheder. Stir ikke direkte på UV-LED-lys i lang tid. Ultraviolette stråler kan forårsage belastning af øjnene.
- Fyld ikke produktet med mere mad end dets kapacitet. Personskader eller skader kan

opstå, hvis indholdet af køleskabet falder, når døren åbnes. Lignende problemer kan opstå, når en genstand placeres over produktet.

- Sørg for, at du har fjernet is eller vand, der kan være faldet ned på gulvet for at forhindre personskader.
- Skift kun placeringerne af stativerne/flaskeholderne på døren til dit køleskab, mens stativerne er tomme. Fare for personskade!
- Anbring ikke genstande, der kan falde/vælte på produktet. Disse genstande kan falde, mens du åbner eller lukker døren og kan forårsage personskader og/eller materielle skader.
- Undgå at ramme med eller udøve for stort pres på glassoverflader. Knust glas kan forårsage personskader og/eller materielle skader.
- Kølesystemet i dit produkt indeholder kølemediet R600a. Typen af kølemiddel, der bruges i produktet er angivet på typeskiltet. Denne gas er brandfarlig. Pas derfor på ikke at beskadige kølesystemet og

rørene, mens du håndterer produktet. I tilfælde af fare for beskadigelse af udstyret:

1. Rør ikke produktet eller strømkablet.
2. Hold produktet væk fra potentielle ildkilder, der kan forårsage, at produktet går i brand.
3. Ventilér det område, hvor produktet er placeret. Brug ikke en ventilator.
4. Kontakt teknisk service.
5. Hvis produktet er beskadiget, og du observerer gaslækage, skal du holde dig væk fra gassen. Gas kan forårsage frostskafer, hvis den kommer i kontakt med din hud.



1.7 Sikkerhed ved opbevaring af fødevarer

Vær opmærksom på følgende advarsler for at undgå madspild.

- Når døren er åben i lang tid kan det få den indvendige temperatur til at stige.
- Rens det tilgængelige afløbssystem regelmæssigt, da det er i kontakt med fødevarer.

- Rengør vandtankene, der ikke er brugt i 48 timer og de netforsynede vandsystemer, der ikke er brugt i over 5 dage.
- Opbevar rått kød og fiskeprodukter i passende rum inde i produktet. Således kan det ikke dryppe på eller komme i kontakt med andre fødevarer.
- Tostjernede rum bruges til at opbevare forudfyldte fødevarer, og fremstilling og opbevaring af is.
- Et-, to- eller trestjernede rum er ikke egnede til frysning af ferske fødevarer.
- Hvis køleproduktet er efterladt tomt i lang tid, så drej pro produktet, optø, rens og tør produktet for at beskytte produktets kabinet.



1.8 Vedligeholdelses og rengøringsikkerhed

- Træk ikke i dørhåndtaget, hvis du skal flytte produktet for rengøringsformål. Håndtag kan forårsage kvæstelser, hvis man trækker for hårdt.

- Rengør ikke produktet ved at sprøjte eller hælde vand på produktet og inde i produktet. Risiko for elektrisk stød og brand.
- Når du renser produktet, så brug ikke skarpe og slibende værktøj eller rengøringsmidler til husholdning, vaskemiddel, benzin, fortynder, alkohol, fernis og lignende stoffer. Brug kun rengørings- og vedligeholdelsesmidler, der ikke er skadelige for fødevarer inde i produktet.
- Brug aldrig nogensinde damp eller dampede rengøringsmidler til rengøring af køleskabet og/eller smeltning af is i det. Damp kommer i kontakt med de strømførende områder i dit køleskab og forårsager kortslutning eller elektrisk stød!
- Sørg for at holde vand væk fra de elektroniske kredsløb eller belysning af produktet.
- Brug en ren, tør klud til at tørre støv eller fremmed materiale på spidserne af stikkene. Brug ikke et vådt eller fugtigt stykke stof til at rengøre stikket. Ellers kan der opstå risiko for brand eller elektrisk stød.

2 Miljøinstruktioner

2.1 Overholdelse af WEEE-direktivet og bortskaffelse af affaldsprodukt:



Dette produkt er i overensstemmelse med EUs WEEE-direktiv (2012/19/EU). Dette produkt er forsynet med en klassificerings-symbol for affald af elektrisk og elektronisk udstyr (WEEE).

Dette symbol angiver, at

produktet ikke må bortskaffes sammen med andet husholdningsaffald, når det ikke længere anvendes. Brugt udstyr skal returneres til det officielle opsamlingssted for genbrug af elektriske og elektroniske enheder. For at finde disse indsamlingssystemer skal du kontakte din lokale myndigheder eller forhandler, hvor produktet blev købt. Hver husstand spiller en vigtig rolle i genanvendelse

og genbrug af gammelt apparat. Korrekt bortskaffelse af brugt apparat hjælper med at forhindre potentielle negative konsekvenser for miljøet og menneskers sundhed.

Overholdelse af RoHS-direktivet

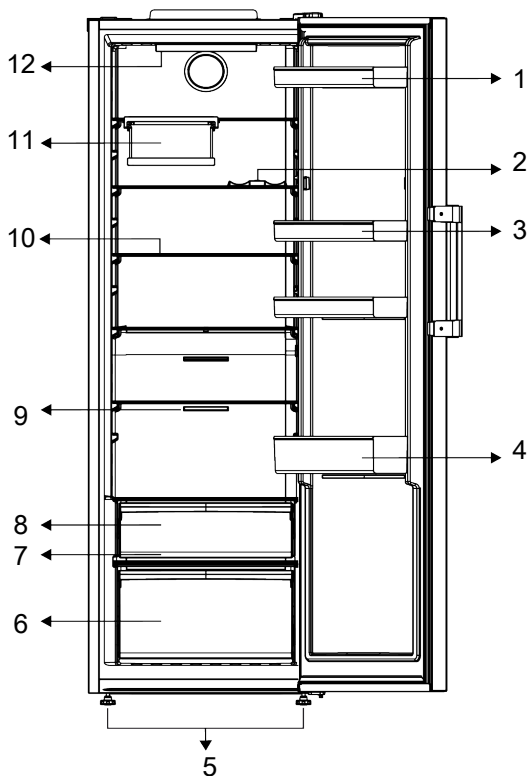
Det produkt, du har købt er i overensstemmelse med EU RoHS-direktiv (2011/65/EU). Det indeholder ikke skadelige eller forbudte stoffer, der er angivet i direktivet.



Emballageoplysninger

Produktets emballagematerialer er fremstillet af genbrugsmaterialer i overensstemmelse med vores nationale miljøbestemmelser. Bortskaf ikke emballagen sammen med husholdningsaffald eller andet affald. Indlever emballagen på de indsamlingssteder, der udpeges af de lokale myndigheder.

3 Dit køleskab



- | | |
|---------------------|--------------------------|
| 1 Ægholder | 2 * Flaskehylde |
| 3 Justerbare hylder | 4 Justerbare dørhylder |
| 5 Justerbare forben | 6 Skuffer |
| 7 * Everfresh | 8 * Koldt opbevaringsrum |
| 9 Blæser | 10 Justerbare hylder |
| 11 *Foldbar vinreol | 12 * Belysningslampe |

***Ekstraudstyr:** Tallene i denne brugervejledning er skematiske og matcher muligvis ikke præcist dit produkt. Hvis dit produkt ikke omfatter de relevante dele, gælder oplysningerne for andre modeller.

4 Installation



Læs først afsnittet "Sikkerhedsinstruktioner"!

4.1 Korrekt monteringssted

Kontakt det autoriserede værksted vedrørende udskiftning af lampen For klargøring af produktet til montering, henvises til oplysningerne i brugervejledningen. Sørg endvidere for de fornødne vand- og strømtilslutninger. Hvis ikke, skal du kontakte en elektriker og en blikkenslager for at arrangere etablering af de fornødne tilslutninger.



ADVARSEL:

Producenten påtager sig intet ansvar for skader forårsaget af arbejde udført af uautoriserede personer.



ADVARSEL:

Produktets strømkabel skal frakobles under montering. Manglende overholdelse af disse advarsler kan resultere i død og alvorlige kvæstelser.



ADVARSEL:

Hvis dørspændet er for smalt til, at produktet kan passere, skal du fjerne døren og dreje produktet sidelæns. Hvis dette ikke virker, skal du kontakte den autoriserede service.

- Anbring produktet på en plan overflade for at undgå vibrationer.
- Anbring produktet mindst 30 cm væk fra varmelegeme, komfur og lignende varmekilder og mindst 5 cm væk fra elovne.
- Udsæt ikke produktet for direkte sollys og hav det ikke i fugtige omgivelser.
- Dit produkt kræver tilstrækkelig luftcirkulation for at fungere effektivt. Hvis produktet anbringes i en alkove, skal du huske at have mindst 5 cm fri plads mellem produktet og loftet, bagvæggen og sidevæggene.

- Kontroller, om beskyttelseskomponenten til bagvæggen er til stede på dets placering (hvis den leveres sammen med produktet).
- Hvis komponenten ikke er tilgængelig, eller hvis den er mistet eller tabt, skal du placere produktet, så der er mindst 5 cm fri plads mellem overfladen af bagsiden på produktet og rummets vægge. Den frie højde på bagsiden er vigtig for effektiv drift af produktet.

4.2 Elektrisk tilslutning



Brug ikke forlænger- eller multistik til strømtilslutning.



Beskadiget strømkabel skal udskiftes af et autoriseret serviceværksted.



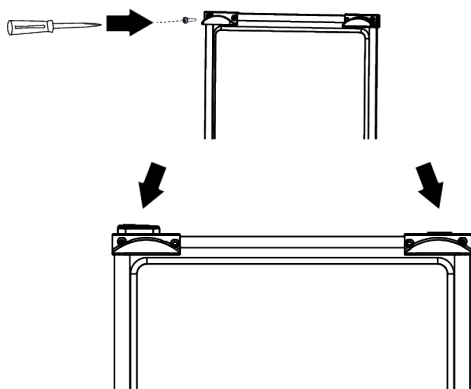
Hvis du placerer to køleskabe ved siden af hinanden, skal der være mindst 4 cm afstand mellem de to apparater.

- Vores firma påtager sig ikke ansvar for skader, der skyldes brug uden jordforbindelse og strømtilslutning i overensstemmelse med nationale regler.
- Strømkabelstikket skal være let tilgængeligt efter installationen.
- Brug ikke stikdåser med eller uden forlængerledning mellem stikkontakten og køleskabet.

4.3 Montering af plastkiler

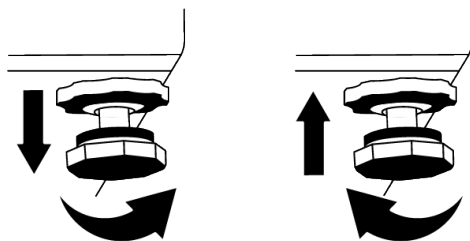
Brug plastkiler i det medfølgende produkt for at give tilstrækkelig plads til luftcirkulation mellem produktet og væggen.

1. For at fastgøre kilerne skal du fjerne produktets skruer og bruge de skruer, der følger med kilerne.
2. Fastgør 2 plastkiler på ventilationsdækslet som vist på figuren.



4.4 Justering af benene

Hvis produktet ikke står i en afbalanceret position, skal du justere de forreste justerbare stativer ved at dreje til højre eller venstre.



4.5 Vending af døråbningsside

Døråbningssiden på dit køleskab kan vendes i forhold til det sted, du stikker det. Når du har brug for dette skal du bestemt ringe til det nærmeste autoriserede værksted.

4.6 Advarsel om varme overflader

Sidevæggene på dit produkt er udstyret med kølerør for at forbedre kølesystemet. Højtryksvæske kan strømme gennem disse overflader og forårsage varme overflader på sidevæggene. Dette er normalt og kræver ikke service. Vær forsigtig, når du kontakter disse områder.

5 Klargøring



Læs først afsnittet "Sikkerhedsinstruktioner"!

5.1 Sådan opnås energibesparelser



Tilslutning af produktet til elektroniske energibesparende systemer frarådes, da det kan beskadige produktet.

- Til et. dette køleudstyr er ikke beregnet til at blive brugt som et indbygget apparat!
- Køleskabsdørene må ikke holdes åbne i længere perioder.
- Anbring ikke varm mad eller drikke i køleskabet.
- Overfyld ikke køleskabet. Hvis den indvendige luftstrøm blokeres, vil det reducere kølekapacitet.

- For at lægge den maksimale mængde mad i fryderummet i dit køleskab, skal de øverste skuffer tages ud, og maden skal placeres på tråd-/glashylderne. Oplysninger om nettovolumen og energiforbrug, der er angivet på energimærket i dit køleskab, blev testet ved at tage de øverste skuffer ud i kølerafdelingen og isspenden, som let kan fjernes med hånden.
- Brug af nedenstående skuffe til opbevaring er stærkt anbefalet.
- Afhængig af produktets egenskaber. Afrimning af frosne fødevarer i kølerummet sikrer energibesparelse og bevarer madkvaliteten.
- Sørg for, at fødevarerne ikke er i kontakt med kølerums temperaturføler beskrevet nedenfor.

- Mad skal opbevares ved hjælp af skufferne i kølerummet for at sikre energibesparelse og beskytte mad under bedre forhold.
- Madpakker bør ikke være i direkte kontakt med varmesensoren placeret i fryserummet.
- Hvis de er i kontakt med sensoren kan enhedens energiforbrug stige

5.2 Første ibrugtagning

Før du bruger dit køleskab, skal du sørge for, at de nødvendige forberedelser er udført i overensstemmelse med instruktionerne i afsnittene "Sikkerheds- og miljøanvisninger" og "Montering".

- Hold produktet tændt uden fødevarer indvendigt i 6 timer og undlad at åbne døren, med mindre det er absolut nødvendigt.
- Temperaturændringen forårsaget af åbning og lukning af døren, mens du bruger produktet, kan normalt føre til kondensering på dør/køleskabshylder og glas placeret i produktet.



Der høres en lyd, når kompressoren er i gang. Det er normalt for produktet at lave støj, selv når kompressoren ikke kører, da væske og gas kan blive komprimeret i kølesystemet.



Det er normalt, at køleskabets forkanter er varme. Disse områder er udviklet til at blive varmet op for at undgå dannelse af kondens.



På nogle modeller slukkes indikatorpanelet automatisk 1 minut efter at døren lukkes. Det genaktiveres, når døren åbnes, eller der trykkes på en vilkårlig knap.

5.3 Klimaklasse og definitioner

Vi henviser til klimaklassen på din enheds typeplak. En af nedenstående oplysninger er gyldig for dit apparat i henhold til den klassificerede klimaklasse."

- **SN:** Lang tid i tempereret klima: Denne køleenhed er designet til brug ved stuetemperaturer på mellem 10 og 32 °C.
- **N:** Tempereret klima: Denne køleenhed er designet til brug ved stuetemperaturer på mellem 16 og 32 °C.
- **ST:** Subtropisk klima: Denne køleenhed er designet til brug ved stuetemperaturer på mellem 16 og 38 °C.
- **T:** Tropisk klima: Denne køleenhed er designet til brug ved stuetemperaturer på mellem 16 og 43 °C.

6 Betjening af produktet



Læs først afsnittet "Sikkerhedsinstruktioner"!

- Dette produkt er ikke egnet til frysning af fødevarer.
- Brug ikke mekanisk værktøj eller andet værktøj end producentens anbefalinger til at fremskynde optøningen.
- Brug ikke i dit køleskab, såsom døren, som et middel til støtte eller som et trin. Dette kan få produktet til at vælte eller dets komponenter bliver beskadiget.
- Dette produkt må kun bruges til opbevaring af fødevarer.

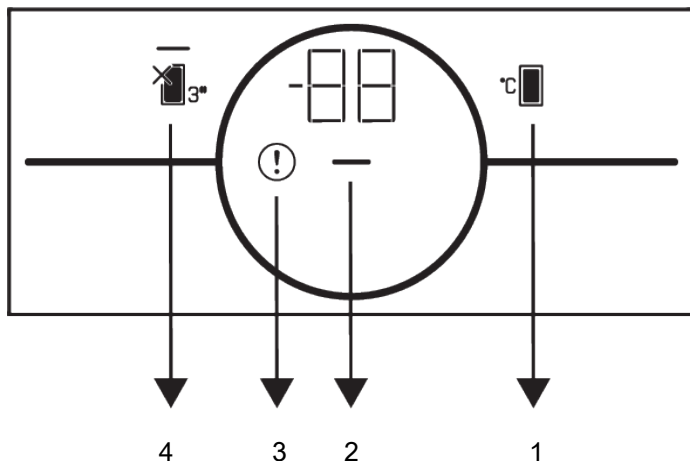
- Sluk for vandventilen, hvis du er væk hjemmefra (f.eks. på ferie), og du ikke bruger Ismaskinen eller vanddispenseren i lang tid. Ellers kan der forekomme vandlækager.

Sæt programmet på pause

- Hvis du ikke skal bruge produktet i lang tid, så afbryd det fra stikkontakten.
- Fjern maden for at forhindre lugt.
- Vent på at isen smelter, rens det indvendigt og lad det tørre, efterlad dørene åbne for at undgå beskadigelse af den indvendige plast i skabet.

7 Brug af dit apparat

7.1 Produktets kontrolpanel



1 Sıcaklık Ayar Tuşu

3 Hata Durumu Göstergesi

2 Enerji Tasarrufu (Ekran Kpalı) Göstergesi

4 Soğutucu Bölme Kapama(Tatil)Fonksiyonu Tuşu



Læs først afsnittet "Sikkerhedsinstruktioner".

Indikatorpanelets auditive og visuelle funktioner er en hjælp til at bruge køleskabet.

***Ekstraudstyr:** Funktioner, der vises, er valgfrie, der kan være forskel i form og placering i funktioner, som findes på dit apparats visningspanel.

1. Temperaturreguleringstast

Temperaturindstilling foretages for kølerum. Rumtemperaturen kan indstilles til værdier på 1, 2, 3, 4, 5, 6, 7 og 8 °C.

2. Energibesparelsesfunktions-indikator (slukket display)

Energibesparende funktion aktiveres automatisk, og energibesparelsessymbolet vises, når produktets dør ikke åbnes eller lukkes i en periode. Når den energibesparende funktion er aktiveret, slukkes alle symboler på displayet bortset fra energibesparelsessym-

bolet. Når energibesparelsesfunktionen er aktiv, deaktiveres energibesparende funktion ved at trykke på en vilkårlig tast eller åbne døren, og displaysignalerne vender tilbage til normal. Energibesparende funktion er en aktiv funktion ved fabriksindstillingerne og kan ikke annulleres.

3. Indikator for fejltilstand

Denne indikator skal være aktiv, når dit køleskab ikke kan udføre tilstrækkelig køling eller i tilfælde af en sensorfejl. På fryserumsindikatoren vises bogstavet "E" og på køleskabsrummet vil temperaturindikatoren vise tallene 1, 2, 3. Tallene på indikatoren specificerer tjenesten med hensyn til fejl. Hvis du placerer varm mad i fryserummet i længere tid, kan der blive tændt et udråbstegn. Dette er ikke en fejl, denne advarsel fjernes, når maden køles ned, eller når der trykkes på en tast.

4. Funktionstast til kølerum FRA (Ferie)



Tryk på tasten i 3 sekunder for at aktivere feriefunktionen. Ferietilstand er aktiveret, og LED'en på tasten lyser. Alle ikoner på køle-

rummet slukker og kølerummet udfører ikke aktiv køling. Du bør ikke opbevare madvarer i køleskabsrummet, når denne funktion er aktiveret. Tryk på tasten i 3 sekunder igen for at annullere denne funktion.

DA

7.2 Opbevaring af mad i kølerummet

- Rumtemperaturerne stiger betydeligt, hvis døren til rummet åbnes og lukkes ofte og holdes åbne i lang tid. Dette kan mindske længden af madens holdbarhed, og forårsage, at maden bliver dårlig.
- For ikke at fremkalde lugt og bismag, skal maden opbevares i lukkede beholdere.
- Opbevar ikke store mængder mad inde i dit køleskab. For at opnå bedre og ensartet køling, skal du placere maden separat på en måde så kold luft kan passere den.
- Fremkald luftstrøm ved at efterlade plads mellem maden og indervæggen. Hvis du læner maden mod bagvæggen, kan maden blive frossen.
- Bring tilberedt varm mad ned på stuetemperatur, inden du lægger den i køleskabet. Derefter kan du lægge den lunke mad på de nederste hylder i køleskabet. Læg ikke lunken mad tæt på mad, der kan blive dårlig.
- Optø din frosne mad i rummet til frisk mad. Derved kan du afkøle kølerummet ved at bruge frossen mad og spare energi
- Opbevaring af umodne tropiske frugter (mango, melon-arter, papaya, banan, ananas) i køleskabet kan fremme modningsprocessen. Dette anbefales ikke, da det vil forårsage kortere opbevaringstid.
- Løg, hvidløg, ingefær og andre rodfrugter skal opbevares under mørke og kølige rumforhold, ikke i køleskabet.
- Hvis du bemærker, at noget mad er blevet dårligt i køleskabet, så smid det ud og rengør tilbehøret, der har været i kontakt med den mad.
- For at afkøle måltider som supper og stuvninger, der er kogt i store gryder hurtigt, kan du lægge dem i køleskabet ved at adskille dem i deres egne beholdere.
- Placer ikke uindpakket mad tæt på æg.
- Hold frugter og grøntsager adskilt og opbevar dem med samme slags: æbler med æbler, gulerødder med gulerødder.
- Tag grønne grøntsager ud af plastikposen, og læg dem i køleskabet efter at have pakket dem ind i et papirtørklæde eller en serviet. Hvis du vasker denne slags mad, inden du placerer dem i køleskabet, så husk at tørre dem.
- Du kan både skabe et fugtigt miljø og lave en luftstrøm ved at holde frugt og grøntsager, der kan tørre i perforerede eller utilukkede plastikposer.
- Bortset fra tilfælde, hvor ekstreme forhold gør sig gældende i miljøet, hvis dit produkt (på den anbefalede værditabel) er indstillet til det angivne sæt værdier, holder maden sig frisk i længere tid i rummet til friske fødevarer og fryserummet.

Opbevar mad forskellige steder alt efter dens egenskaber:	
Mad	Sted
Æg	Dørhylde
Mejeriprodukter (smør, ost)	Hvis tilgængeligt, madrummet med nul grader (til morgenmad)
Frugt, grøntsager og salat	Frugt-grøntsagsrummet, skuffen eller EverFresh+ rummet (hvis det er tilgængeligt)

Opbevar mad forskellige steder alt efter dens egenskaber:	
Mad	Sted
Fersk kød, fjerkræ, fisk, pølse osv. Kogt mad	Hvis tilgængeligt, madrummet med nul grader (til morgenmad)
Spiseklar mad, emballerede produkter, konserver, syltede produkter	Øverste hylder eller dørhylde
Drikkevarer, flasker, krydderier og snacks	Dørhylde

Anbringelse af fødevarer

Kølerumshylder:Fødevarer i glas, overdækkede tallerkener og bokse, æg (i lukket boks)

Dørhylder i kølerum:Smått eller indpakket mad eller drikke

Skuffe:Grøntsager og frugt

7.3 Skuffer

Køleskabets grøntsagsbeholder er designet til at holde grøntsager friske ved at bevare fugtigheden. Til dette formål intensiveres den samlede kolde luftcirkulation i den skuffens kurv. Opbevar frugt og grøntsager i dette rum. Hold de grønbladede grøntsager og frugter separat for at forlænge deres levetid.

7.4 Køleopbevaringsområde til mælkeprodukter

Kold opbevaringsskuffe

Skuffen til køleopbevaring kan nå lavere temperaturer i kølerummet. Brug denne skuffe til delikatessprodukter (salami, pølser osv.) og mælkeprodukter, der kræver koldere opbevaringsbetingelser, eller til kød, kylling eller fisk der skal forbruges hurtigt. Det er ikke hensigtsmæssigt at opbevare frugt og grøntsager i dette rum.

7.5 Vending af døråbningside

Døråbningsiden på dit køleskab kan vendes i forhold til det sted, du stikker det. Når du har brug for dette skal du bestemt ringe til det nærmeste autoriserede værksted.

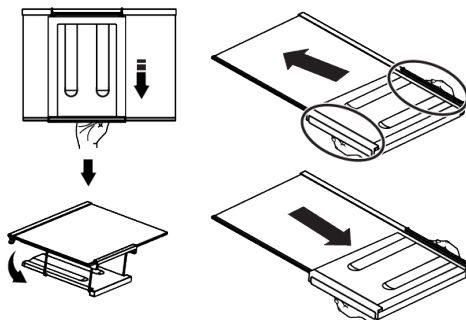
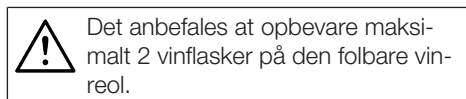
7.6 Døråbnings-advarsel

Døråbnings-advarsel

En lydalarm høres, hvis produktets dør forbliver åben i 1 minut. Den akustiske alarm stopper, når døren lukkes, eller når der trykkes på en vilkårlig knap på displayet (hvis tilgængelig).

7.7 Foldbar vinreol

Den gør det muligt for brugeren at opbevare vinflasker, hvis det bliver nødvendigt. For at bruge dette hyldeafsnit, så tag fat i plastikdelen og træk det langsomt ned. Du kan nu bruge den foldbare vinreol.



For at gruppere den foldbare vinreol, så fjern først glashylden fra køleskabet. Placer den på glashylden ved at skubbe plastikdelen gennem front- og bagrillerne, som vist på billedet. Produktet vil være klar til brug med den foldbare vinreol.

For at fjerne den foldbare vinreol, fjern først glashylden fra køleskabet. Hold derefter i plastdelen og træk den i enhver retning. Du kan nu bruge produktet uden en foldbar vinreol, når det er nødvendigt.

7.8 Udskiftning af pærerne

Ring til det autoriserede værksted, når pæren/LED, der bruges til belysning i dit køleskab skal udskiftes.

Lampe(r), der bruges i dette apparat, kan ikke bruges til husbelysning. Formålet med brugen af denne lampe er at hjælpe brugeren med at placere mad i køleskabet/fryseren sikkert og komfortabelt.

DA

8 Vedligeholdelse og rengøring



ADVARSEL:

Læs først afsnittet "Sikkerhedsinstruktioner".



ADVARSEL:

Afbryd køleskabet, før rengøring.

- Brug ikke skarpe eller slibende værktøjer til at rengøre produktet. Brug ikke materialer som husholdningsrengøringsmidler, vaskemidler, gas, benzin, alkohol, voks osv.
- Støvet skal fjernes fra ventilationsgitteret på bagsiden af produktet mindst en gang om året (uden at dækslet åbnes). Rengør produktet med en tør klud.
- Sørg for at holde vand væk fra lampens dæksel og andre elektriske dele.
- Rengør døren med en fugtig klud. Fjern alt indhold for at fjerne døren og køleskabshylderne. Fjern dørstativerne ved at løfte dem opad. Rengør og tør hylderne, og fastgør dem derefter igen ved at glide ovenfra.
- Brug ikke klorvand eller rengøringsprodukter på den udvendige overflade og krombelagte dele af produktet. Klor vil forårsage rust på sådanne metalliske overflader.
- Brug ikke skarpe og slibende værktøjer, sæbe, husrengøringsmaterialer, rengøringsmidler, gas, benzin, lak og lignende stoffer for at forhindre deformation af plastdelen og fjernelse af udskrifter på den del. Brug lunken vand og en blød klud til rengøring og tør den derefter.
- På produkter uden No-Frost-funktion kan der forekomme vanddråber og is på op til en tykkelse af en finger på bagvæggen i fryseren. Rengør det ikke. Påfør aldrig olie eller lignende stoffer på det.

- Brug en let fugtet mikrofiberklud til at rengøre produktets ydre overflade. Svampe og andre typer rengøringsklude kan forårsage ridser.
- For at rense alt aftagelige komponenter under rengøringen af produktets indre overflade, vask disse komponenter med en mild opløsning bestående af sæbe, vand og karbonat. Vask og tør grundigt. Undgå kontakt med vand på belysningskomponenter og kontrolpanelet.



FORSIGTIG:

Brug ikke eddike, sprit eller andre alkoholbaserede rengøringsmidler på indvendige overflader.

Ydre overflader i rustfrit stål

Brug et ikke-slibende rengøringsmiddel i rustfrit stål, og påfør det med en blød fnugfri klud. For at polere tørres overfladen forsigtigt af med en mikrofiberklud fugtet med vand og brug tør poleringsskind. Følg altid åreerne i rustfrit stål.

Forebyggelse af lugt

Produktet er fremstillet fri for lugtende materialer. Opbevaring af mad i forkerte afsnit og forkert rengøring af indvendige overflader kan dog medføre lugt.

- For at undgå dette, rengør indersiden med kulsyreholdigt vand hver 15. dag.
- Opbevar madvarer i forseglede beholdere, da mikroorganismer fra maden holdt i uforseglede beholdere vil skabe dårlig lugt..
- Opbevar ikke udløbet og ødelagt mad i køleskabet.

Olie spildt på plastoverflader kan beskadige overfladen og skal straks rengøres med varmt vand.

9 Fejlfinding

Tjek denne liste, før du kontakter tjenesten. Hvis du gør det, sparer du tid og penge. Denne liste inkluderer hyppige klager, der ikke er relateret til defekt udførelse eller materiale. Visse funktioner, der er nævnt her, gælder muligvis ikke for dit produkt.

Køleskabet fungerer ikke.

- Stikket er ikke sat rigtigt i. >>> Sæt det helt ind i stikket.
- Sikringen, der er tilsluttet stikkontakten, der tænder for produktet eller hovedsikringen, er gået. >>> Kontroller sikringen.

Kondens på køleskabets sidevæg (MULTIZONE, KØL, KONTROL OG FLEXI-ZONE).

- Døren åbnes for ofte. >>> Pas på ikke at åbne produktets dør for ofte.
- Omgivelserne er for fugtige. >>> Installer ikke produktet i fugtige miljøer.
- Mad, der indeholder væsker, opbevares i uforseglede beholdere. >>> Opbevar fødevarer, der indeholder væsker i forseglede beholdere.
- Produktets dør forlades åben. >>> Køleskabsdørene må ikke holdes åbne i længere perioder.
- Termostaten er indstillet til for lav temperatur. >>> Indstil termostaten til en passende temperatur.

Kompressoren fungerer ikke.

- I tilfælde af pludselig strømafbrydelse eller udtrækning af stikket og isættelse er gasstryk i produktets kølesystem ikke afbalanceret, hvilket udløser den termiske beskyttelse af kompressoren. Produktet genstarter efter ca. 6 minutter. Hvis produktet ikke genstarter efter denne periode, skal du kontakte værkstedet.
- Afrimning er aktiv. >>> Dette er normalt for et fuldautomatisk afrimningsprodukt. Afrimningen udføres med jævne mellemrum.

- Netledningen er muligvis ikke tilsluttet. >>> Sørg for at ledningen er sat i.
- Temperaturindstillingen er forkert. >>> Vælg den korrekte temperaturindstilling.
- Strømmen er gået. >>> Produktet fortsætter med at fungere normalt, når strømmen er kommet igen.

Køleskabets driftsstøj øges under brug.

- Produktets driftsydelse kan variere afhængigt af variationerne i omgivelsernes temperatur. Dette er normalt og ikke en fejl.

Køleskabet kører for ofte eller for længe.

- Det nye produkt kan være større end det foregående. Større produkter kører i længere perioder.
- Rumtemperaturen kan være høj. >>> Produktet kører normalt i lange perioder ved højere stuetemperatur.
- Produktet kan for nylig være tilsluttet, eller en ny fødevarer er placeret i det. >>> Produktet kræver længere tid til at nå den indstillede temperatur, når det for nylig er tilsluttet, eller en ny fødevarer anbringes i det. Dette er normalt.
- Der er for nylig blevet anbragt store mængder varm mad i produktet. >>> Anbring ikke varm mad eller drikke i køleskabet.
- Dørene blev åbnet ofte eller holdt åbne i lange perioder. >>> Den varme luft, der bevæger sig inden i, får produktet til at køre længere. Åbn ikke dørene for ofte.
- Fryserdøren eller kølerens dør kan være på klem. >>> Kontroller, at dørene er helt lukket.
- Produktet kan indstilles til for lav A temperatur. >>> Indstil temperaturen til en højere grad, og vent på, at produktet når den justerede temperatur.

- Døren til køleren eller fryseren kan være snavset, slidt, brudt eller ikke ordentligt sat fast. Rengør eller udskift slutskiverne. Beskadiget / revet dør-slutskive vil få produktet til at køre i længere perioder for at bevare den aktuelle temperatur.

Frysertemperaturen er meget lav, men den køligere temperatur er tilstrækkelig.

- Fryseafsnitstemperaturen indstilles meget lavt. >>> Indstil fryserummets temperatur højere og kontroller igen.

Køleskabstemperaturen er meget lav, men frysertemperaturen er tilstrækkelig.

- Køleskabstemperaturen er indstillet meget lavt. >>> Indstil fryserummets temperatur højere og kontroller igen.

Madvarer, der opbevares i skuffer til køligere rum er frosne.

- Køleskabstemperaturen er indstillet meget lavt. >>> Indstil fryserummets temperatur højere og kontroller igen.

Temperaturen i køleren eller fryseren er for høj.

- Køleskabstemperaturen er indstillet meget højt. >>> Temperaturindstilling af kølerummet påvirker temperaturen i fryserummet. Vent indtil temperaturen på relevante dele når det tilstrækkelige niveau ved at ændre temperaturen i kølerum eller fryserum.
- Dørene blev åbnet ofte eller holdt åbne i lange perioder. >>> Åbn ikke dørene for ofte.
- Døren er muligvis på klem. >>> Luk døren helt i.
- Produktet kan for nylig være tilsluttet, eller en ny fødevarer er placeret i det. >>> Dette er normalt. Produktet tager længere tid for at nå den indstillede temperatur, når det for nylig er tilsluttet, eller en ny fødevarer anbringes i det.
- Der er for nylig blevet anbragt store mængder varm mad i produktet. >>> Anbring ikke varm mad eller drikke i køleskabet.

Rystelse eller støj.

- >>> Hvis produktet ryster, når det flyttes langsomt, skal du justere stativerne for at afbalancere produktet. Sørg også for at underlaget er tilstrækkelig holdbart til at bære produktet.
- Alle genstande, der placeres på produktet, kan forårsage støj. >>> Fjern eventuelle genstande, der er placeret på produktet.
- Produktet giver lyd fra væskestrøm, sprøjtning osv.
- Produktets driftsprincipper involverer væske- og gasstrømme. >>> Dette er normalt og ikke en fejl.

Der er lyd som fra vinden, der kommer fra produktet.

- Produktet bruger en blæser til køleprocessen. Dette er normalt og ikke en fejl.

Der er kondens på produktets indvendige vægge.

- Varmt eller fugtigt vejr øger isdannelse og kondens. Dette er normalt og ikke en fejl.
- Dørene blev åbnet ofte eller holdt åbne i lange perioder. >>> Åbn ikke dørene for ofte. Luk døren, hvis den er åben.
- Døren er muligvis på klem. >>> Luk døren helt i.

Der er kondens på produktets yderside eller mellem dørene.

- Det omgivende vejr kan være fugtigt, dette er helt normalt i fugtigt vejr. >>> Kondensvandet spredes, når fugtigheden reduceres.

Det lugter dårligt indvendigt.

- Produktet rengøres ikke regelmæssigt. >>> Rengør interieret regelmæssigt med svamp, varmt vand og kulsyreholdigt vand.
- Visse beholdere og emballagematerialer kan forårsage lugt. >>> Brug lugtfri beholdere og emballagematerialer.
- Fødevarer blev anbragt i uforseglede beholdere. >>> Opbevar fødevarer i forseglede beholdere. Mikroorganismer kan sprede sig fra uforseglede fødevarer og forårsage dårlig lugt.
- Fjern eventuel mad, der er udløbet eller fordærvet mad fra produktet.

Døren lukker ikke

- Madpakninger blokerer muligvis for døren. >>> Flyt alle genstande, der blokerer dørene.
- Produktet står ikke i fuldt lodret position på underlaget. >>> Juster skruerne for at afbalancere produktet.
- Overfladen er ikke flad eller hård >>> Sørg for at overfladen er flad og tilstrækkelig hård til at bære produktet.

Hylden er skæv.

- Madvarer kan være i kontakt med den øverste del af skuffen. >>> Omorganisér fødevarer i skuffen.

Temperaturen på produktets overflade.

- Der kan observeres høje temperaturer mellem de to døre, på sidepanelerne og ved den bageste rist, mens produktet fungerer. Dette er normalt og kræver ikke service

Ventilatoren fortsætter med at virke, når døren åbnes.

- Ventilatoren kan fortsætte med at virke, når fryserdøren åbnes.



ADVARSEL: Hvis problemet fortsætter efter at have fulgt instruktionerne i dette afsnit, skal du kontakte din leverandør eller et godkendt værksted. Forsøg ikke at reparere produktet selv. Dette er normalt.

ANSVARSRFRASKRIVELSE / ADVARSEL

Nogle (enkle) fejl kan i tilstrækkelig grad håndteres af slutbrugeren uden sikkerhedsproblemer eller usikker anvendelse, forudsat at de udføres inden for grænserne og i overensstemmelse med følgende instruktioner (se afsnittet "Selvreparation").

Derfor medmindre andet er tilladt i afsnittet "Selvreparation" nedenfor, skal reparationer rettes til registrerede professionelle reparatører for at undgå sikkerhedsproblemer. En registreret professionel reparatør er en professionel reparatør, som producenten har givet adgang til listen over instruktioner og reservedele til dette produkt i henhold til metoderne beskrevet i lovgivningsmæssige retsakter i henhold til direktiv 2009/125/EF.

Imidlertid er det kun serviceagenten (dvs. autoriserede professionelle reparatører), som du kan nå gennem det telefonnummer, der er angivet i brugervejledningen/garantikortet eller gennem din autoriserede forhandler, der kan levere service under garantibetingelserne. Vær derfor opmærksom på, at reparationer udført af professionelle reparatører (som ikke er godkendt af variable Grundig, annullerer garantien.

Selvreparation

Selvreparation kan udføres af slutbrugeren med hensyn til følgende reservedele: dørhåndtag, dørhængsler, bakker, kurve og dørtætninger (en opdateret liste er også tilgængelig på support.grundig.com pr. 1. marts 2021)

For at sikre produktsikkerhed og for at forhindre risiko for alvorlig personskade skal den nævnte selvreparation desuden udføres efter instruktionerne i brugervejledningen til selvreparation, eller som findes på support.grundig.com Af hensyn til din sikkerhed skal du trække stikket ud af produktet, inden du prøver selvreparation.

Slutbrugeres reparations- og reparationsforsøg på dele, der ikke er med på en sådan liste og/eller ikke følger instruktionerne i brugervejledningerne til selvreparation, eller som findes på support.grundig.com, kan give anledning til sikkerhedsproblemer, der ikke kan henføres til Grundigogs annullerer produktets garanti.

Derfor anbefales det stærkt, at slutbrugere afstår fra forsøget på at udføre reparationer, der falder uden for den nævnte liste over reservedele, og i sådanne tilfælde kontakter autoriserede professionelle reparatører eller registrerede professionelle reparatører.

Tværtimod kan sådanne forsøg fra slutbrugere medføre sikkerhedsproblemer og beskadige produktet og derefter forårsage brand, oversvømmelse, elektrisk stød og alvorlig personskade.

Som eksempel, men ikke begrænset til dette, skal følgende reparationer rettes til autoriserede professionelle reparatører eller registrerede professionelle reparatører: motor, pumpeasamling, hovedkort, motorkort, displaykort, varmelegemer osv.

Producenten/sælgeren kan ikke holdes ansvarlig i tilfælde, hvor slutbrugerne ikke overholder ovenstående.

Tilgængeligheden af reservedele til det køleskab, som du har købt er 10 år. I denne periode vil originale reservedele være tilgængelige til at bruge køleskabet korrekt.

Garantiens minimumsvarighed for køleskabet, som du har købt, er 24 måneder.

Dette produkt indeholder en lyskilde med energiklasse 'G'.

Lyskilden i dette produkt må kun udskiftes af en professionel reparatør



Vänligen läs den här bruksanvisningen först!

Bästa kund!

Läs i denna manual innan du använder produkten.

Tack för att du valt denna Grundig produkt. Vi skulle vilja att du uppnår optimal effekt av denna högkvalitativa produkt som har tillverkats enligt den senaste tekniken. För att kunna göra detta, läs noggrant igenom denna manual och all annan information du erhållit innan du börjar att använda produkten och spara all dokumentation för framtida referens.

Följ all information och alla varningar i denna användarmanual. På så sätt skyddar du dig själv och produkten mot eventuella faror som kan uppkomma.

Spara denna användarmanual. Inkludera denna bruksanvisning tillsammans med produkten om du överlåter den till någon annan person.

Följande symboler användas i bruksanvisningen:



Risker som kan leda till dödsfall eller skador.



Viktig information och användbara tips.







Läs bruksanvisningen.



Antändlig material, varning för brand.

OBS! Risker som kan förorsaka materiella skador på produkten eller på miljön

		Modellinformationen, som är lagrad i produkt databasen, kan nås från webbsidan och genom att söka för modellidentifikationen (*), som finns i energimärkningen. https://eprel.ec.europa.eu/
SUPPLIER'S NAME	MODEL IDENTIFIER → (*)	
		

1	Säkerhetsinstruktioner	84
1.1	Användningsområde.....	84
1.2	Säkerheten för barn, utsatta personer och husdjur.....	84
1.3	Elsäkerhet.....	85
1.4	Hanteringssäkerhet.....	86
1.5	Installationssäkerhet	86
1.6	Driftsäkerhet	88
1.7	Säkerhet vid förvaring av mat.....	89
1.8	Underhåll och rengöring.....	90
2	Miljöanvisningar	91
2.1	Överensstämmelse med WEEE-direktivet och kassering av produkten.....	91
3	Ditt kylskåp	92
4	Installation	92
4.1	Rätt installationsplats	92
4.2	Elektrisk anslutning	93
4.3	Installation av plastkilar	93
4.4	Justera benen.....	94
4.5	Byte av dörrens öppningsriktning..	94
4.6	Varning för heta ytor	94
5	Förberedelse.....	94
5.1	Energibesparande åtgärder.	94
5.2	Första användning.....	94
5.3	Klimatklass och definitioner.....	95
6	Användning av produkten	95
7	Användning av apparaten.....	96
7.1	Produktens kontrollpanel	96
7.2	Förvaring av mat i kylfacket.....	97
7.3	Sval	98
7.4	Mjolkprodukter kallförvaringsområde.....	98
7.5	Byte av dörrens öppningsriktning..	98
7.6	Varning för öppen dörr.....	98
7.7	Ihopvikbar vinhylla.....	98
7.8	Byte av lampa.....	99
8	Underhåll och rengöring.....	99
9	Felsökning	100

1 Säkerhetsinstruktioner

Detta avsnitt innehåller säkerhetsanvisningar som hjälper till att förebygga risker för personskador eller materiella skador.

Vårt företag kan inte hållas ansvarig för skador, som uppstått av att dessa instruktioner inte följts.

Installations- och reparationsarbeten ska alltid utföras av auktoriserad service.

Använd endast originalreservdelar och tillbehör.

Original reservdelarna kommer att tillhandahållas i tio år efter produktens inköpsdatum.

Försök inte reparera eller byta ut någon del av produkten om den inte är tydligt specificerad i bruksanvisningen.

Utför inga ändringar av produkten.

1.1



Användningsområde

e

Denna produkt är inte lämpad för kommersiell bruk och får inte användas utanför avsedd användning. Produkten är

avsedd att användas i hem, inomhus och motsvarande platser.

Till exempel:

- I personalkök i butiker, kontor och andra arbetsmiljöer,,
- I bondgårdar,
- Av besökare på hotell, motell och andra boendeformer,
- I vandrarhem, eller liknande miljöer,
- Catering och liknande ej-detaljhandels tillämpningar.

Denna produkt får inte användas utomhus med eller utan tak över den, som i båtar, balkonger eller terrasser. Utsätt inte produkten för regn, snö, sol och vind, då detta kan orsaka brandfara.

1.2 Säkerheten för barn, utsatta personer och husdjur



- Den här utrustningen kan användas av barn ifrån åldrarna 8 och uppåt, samt personer med nedsatt sensorisk eller mental kapacitet, eller bristande erfarenhet och kunskap, om

de har övervakning och får instruktioner angående säker användning av utrustningen, samt förstår farorna som medföljer.

- Barn mellan 3 - 8 år kan fylla in och ta bort varor i produkten.
- Elprodukter är farliga för barn och husdjur. Barn och husdjur får inte leka, klättra på eller gå in i produkten.
- Barn får inte rengöra eller underhålla produkten utan att någon övervakar dem.
- Håll förpackningsmaterial borta från barn. Risk för skada eller kvävning.

Innan gammal eller obrukbar produkt kasseras:

1. Koppla ur strömkabeln från eluttaget.
2. Klipp av strömkabeln och ta bort den från produkten med kontakten.
3. Ta inte bort hyllor eller lådor ur produkten, så att det blir svårare för barn att komma in i produkten.
4. Ta bort dörrarna.
5. Förvara produkten så, att den inte kan falla ner.
6. Låt inte barnen leka med den gamla produkten.

- Kassera inte produkten genom att kasta den i eld. Risk för explosion.
- Om det finns lås för produktens dörr, förvara nyckeln utom räckhåll för barn.

1.3 Elsäkerhet

- Produkten får inte vara ansluten under installationen, underhåll, rengöring, reparation och transport.
- Auktoriserad service ska byta skadade strömkablar för att undvika möjlig fara.
- Se till, att strömkabeln inte är klämd under eller bakom produkten. Placera inte tunga föremål på strömkabeln. Böj eller kläm inte strömkabeln och utsätt inte den för värmekällor.
- Använda inte förlängningssladdar, grenuttag eller adaptrar med produkten.
- Bärbara grenuttag och strömkällor kan överhettas och orsaka brand. Använd därför inte grenuttag bakom eller i närheten av produkten.
- Kontakten ska vara lätt att komma åt. Om detta inte är möjligt, måste elinstallationen, till vilken produkten är ansluten, innehålla en enhet (t

ex. säkring, strömbrytare osv.), som följer elektriska föreskrifter och kopplar ifrån alla poler från nätet.

- Vidrör inte kontakten med våta händer.
- Dra inte i strömkabeln utan i kontakten, när apparaten kopplas ur nätet.



1.4 Hanteringssäkerhet

- Produkten är tung, hantera den inte ensam.
- Håll inte i dörren, när produkten hanteras.
- Undvik att skada kylsystemet och dess rör medan produkten hanteras. Om rören skadats, använd inte produkten och kontakta auktoriserad service.

1.5



Installationssäkerhet

- Be auktoriserad service installera produkten. För att sätta produkten färdig för användning, läs informationen i bruksanvisningen och se till att el- och vatteninstallationerna finns att tillgå. Om så inte är fallet, kontakta elektriker och rörmokare för att installera

dessa. Annars finns fara för elstöt, brand, problem med produkten eller personskada.

- Kontrollera produkten för skador innan installering. Installera inte produkten, om den är skadad.
- Placera produkten på en jämn och hård yta och balansera den med de justerbara fötterna. Annars kan kylskåpet falla och orsaka personskador.
- Produkten ska installeras i en torr och väl ventilerad omgivning. Använd inte mattor eller andra liknande föremål under produkten. Detta kan orsaka brand och leda till otillräcklig ventilation.
- Blockera eller täck inte över ventilationsöppningarna. Annars kan detta leda till ökad energikonsumtion och skada produkten.
- Produkten får inte anslutas till försörjningsystem, så som solenergikällor. Annars kan produkten skadas av plötsliga spänningsförändringar!
- Ju mer kylmedel kylskåpet innehåller, desto större måste installationsplatsen vara. I riktigt små rum kan en brandfarlig gas-luft blandning

uppstå vid gasläcka i kylsystemet. Minst 1 m³ volym krävs för varje 8 gram av kylmedel.. Kylmedelsmängden i produkten är indikerad i typetiketten.

- Produkten får inte placeras exponerad till direkt solljus och hållas på avstånd till värmekällor, så som kokplattor, värmeelement osv. Om installation nära värmekällor inte kan förhindras, måste passande isoleringsskivor användas och minimidistansen till värmekällan vara nedan specificerad.
 - På minst 30 cm avstånd från värmekällor, såsom ugnar, värmeelement och värmare osv.
 - Minst 5 cm ifrån elspisar.
- Produkten har skyddsklass I.
- Anslut produkten till en jordad vägguttag, vilkens spänning, ström och frekvens motsvarar värdena i typetiketten
Vägguttaget måste ha 10A – 16A säkring. Vår företag kommer inte anta något ansvar för skador som

uppkommit på grund av användande utan jordning och strömanslutningar med lokala och nationella bestämmelser.

- Produktens strömkabel måste kopplas ur under installationen. Annars finns fara för elstöt eller personskada!
- Anslut inte produkten i vägguttag, som är lösa, fel placerade, skadade, smutsiga, oljiga eller kan komma i kontakt med vatten.
- Placera produktens strömkabel och slangar (om finns) så, att man inte kan snava på dem.
- Penetration av vatten i strömförande delar eller strömkabeln kan orsaka kortslutning. Installera därför inte produkten på platser, som garage eller tvättstuga, där fuktigheten är hög och vatten kan stänka. Om kylskåpet blöts ner av vatten, koppla ur den och kontakta auktoriserad service.
- Anslut aldrig kylskåpet i energisparenheter. Sådana system kan vara skadliga för produkten



1.6 Driftsäkerhet

- Använd aldrig kemiska lösningsmedel i produkten. Dessa material kan leda till explosion.
- Om produkten inte fungerar ordentligt, koppla ur den och använd den inte innan en auktoriserad service har lagat den. Det förekommer risk för elchock!
- Placera inte antändningskällor (brinnande ljus, cigaretter, etc.) på eller nära produkten.
- Klättra inte på produkten. Risk för att den faller eller personskada!
- Skada inte kylsystemets rör med vassa eller penetrerande föremål. Kylmedlet, som kan spruta ut när kylmedelsrören, rörförlängningarna eller ytskiktet punkteras kan leda till hudirritation eller ögonskada.
- Placera och använd inte elapparater inne i kylskåpet/frysen, om inte tillverkaren har rekommenderat detta.
- Undvik att klämma kroppsdelar eller händerna i några av de rörliga delarna inuti produkten. Undvik att klämma fingrarna mellan kylskåpet och dess dörr. Var försiktig när du öppnar och stänger dörren, speciellt om det finns barn i närheten.
- Ät aldrig glass, iskuber eller fryst mat direkt efter att den tagits ut ur frysen. Fara för fryskador!
- Rör inte i frysfackets innerväggar, metalldelar eller förvarad fryst mat med blöta händer. Fara för fryskador!
- Placera inte vätskor i flaskor och burkar i frysfacket. Burkar eller flaskor kan explodera. Fara för personskada eller materialskador!
- Använd eller placera inte brandfarliga sprayer, material, torris, kemiska substanser eller motsvarande värmesensitiv material nära kylskåpet. Brand- och explosionsfara!
- Förvara inte några explosiva ämnen som till exempel aerosolburkar med brandfarligt drivmedel i denna apparat.
- Placera inte vätskefyllda behållare på produkten. Vattenstänk på eldelar kan orsaka elstöt eller brandfara.
- Denna produkt är inte avsedd till förvaring av medicin, blodplasma, laboratoriepreparat eller

- motsvarande medicinska materialprodukter enligt Medicinproduktsdirektivet.
- Användning av produkten mot dess avsedda syfte kan skada eller förstöra produkterna som förvaras i den.
 - Om kylskåpet är försedd med blå ljus, titta inte på detta ljus med optiska apparater. Titta inte direkt i UV-lampan långa perioder. Ultraviolet ljus kan skada ögonen.
 - Fyll inte produkten med mer mat än dess kapacitet. Personskador eller skador på produkten kan uppstå, om innehållet i kylskåpet faller ner när dörren öppnas. Samma problem kan uppstå, om föremål placeras på produkten.
 - För att undvika personskador, kontrollera, att all is och vatten som kan ha spillts på golvet har torkats upp.
 - Byt plats på hyllor/flaskhållare i kylskåpsdörren bara, när de är tomma. Fara för personskada!
 - Placera inte föremål, som kan falla över på produkten. Dessa föremål kan falla ner, när dörren öppnas och orsaka person- och/eller materialskador.
- Slå eller tryck inte hårt på glasytorna. Sprucken glas kan orsaka person- och/eller materialskador.
 - Produktens kylsystem innehåller R600a kylmedel. Kylmedelstypen i produkten är indikerad i typetiketten. Gasen är lättantändlig. Undvik därför att skada kylsystemet och dess rör medan produkten används. Om rören är skadade:
 1. Rör inte i produkten eller strömkabeln.
 2. Håll produkten på avstånd från potentiella eldkällor, som kan antända produkten.
 3. Ventilera produktens installationsplats. Använd inte fläktar.
 4. Kontakta auktoriserad service.
 5. Om produkten är skadad och gasläckage upptäcks, håll dig på avstånd till gasen. Gasen kan ge frysskador vid hudkontakt.



1.7 Säkerhet vid förvaring av mat

Följ dessa varningar för att undvika att maten förstörs:

- Temperaturen i produkten kan stiga, om dörren lämnas öppen under långa perioder.

- Rengör tömningssystemet som är i kontakt med livsmedlen regelbundet.
- Rengör vattenbehållare som inte använts under 48 timmar och inloppsvattensystem, som inte har använts under 5 dagar.
- Förvara rå kött och fisk i lämpliga fack i produkten. Då droppar de inte på eller kommer i kontakt med andra livsmedel.
- Två-stjärnor frysfacken används till förvaring av förfylld mat, tillverkning och förvaring av is och glass.
- En, två och tre stjärnor facken lämpar sig inte till att frysa färsk mat.
- Om kylprodukten har lämnats tom under en lång tid, stäng av produkten, tina, rengör och torka produkten för att skydda produktens hölje.
- Rengör inte produkten genom att spruta eller hälla vatten på eller i produkten. Risk för elchock och brand.
- Använd inte skarpa, skrapande verktyg, rengöringsmaterial, rengöringsämnen, gaser, bensin, lacknafta och liknande ämnen för rengöring av produkten. Använd bara rengörings- och underhållsprodukter, som inte är skadliga för mat.
- Använd inte ånga eller ångrengöringsmaterial i kylan för att rengöra produkten och smälta isen inuti. Ångan kan komma i kontakt med de elektriska områdena i ditt kylskåp och orsakar kortslutning eller elektrisk stöt.
- Var noga med att hålla undan vatten ifrån elektroniska kretsarna och belysningen.
- Använd bara ren och torr duk till att ta bort främmande material eller damm från kontaktens stift. Använd inte blöt eller fuktig duk till rengöring av kontakten. Annars kan det leda till brand eller elchock.



1.8 Underhåll och rengöring

- Flytta inte produkten från dess handtag vid rengöring. Handtagen kan orsaka personskada, om de dras för hårt.

2 Miljöanvisningar

2.1 Överensstämmelse med WEEE-direktivet och kassering av produkten



Denna produkt är i överensstämmelse med WEEE-EU-direktivet (2012/19/EU). Den här produkten har klassifikationssymbolerna för elektriskt avfall och elektronisk utrustning (WEEE).

Denna symbol indikerar, att produkten inte ska bli kasserad med hushållsavfall efter drifttidslängd. Använd enhet måste återvinnas på återvinningsstation för elektroniska enheter. För att hitta sådana stationer kontaktar du kommunen eller återförsäljaren av produkten. Alla hushåll spelar en viktig roll vad det gäller att återvinna gamla apparater. Lämplig

hantering av uttjänt enhet hjälper till att förebygga eventuella negativa konsekvenser på miljön och människors hälsa.

Överensstämmelse med RoHS-direktivet

Denna produkt är i överensstämmelse med EUs RoHS-direktiv (2011/65/EU). Den innehåller inte skadliga och förbjudna material som anges i direktivet.

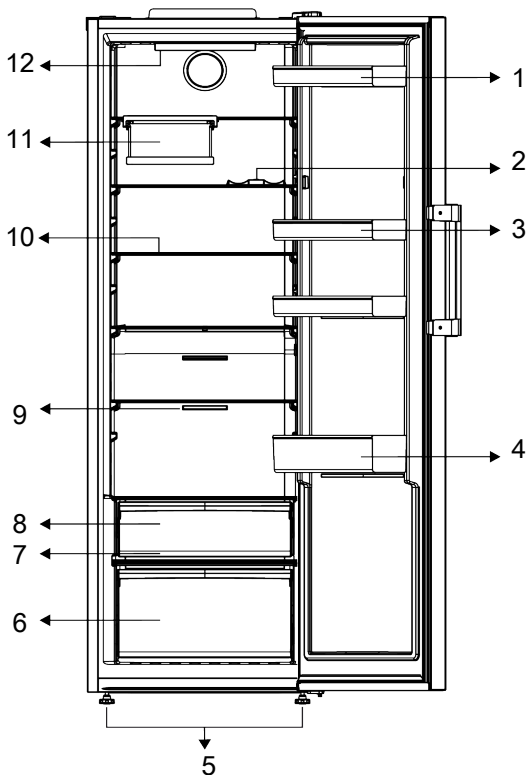


Paketeringsinformation

Produktens förpackning är tillverkad av återvinningsbara material i överensstämmelse med våra nationella miljöregler. Släng inte förpackningsmaterialet i vanligt hushållsavfall eller med andra sopor. Ta allt material till en återvinningsstation för förpackningsmaterial såsom angivits av de lokala myndigheterna.

SV

3 Ditt kylskåp



- | | |
|--------------------------|-------------------------|
| 1 Ägghållare | 2 * Flaskhylla |
| 3 Justerbara hyllor | 4 Justerbara dörrhyllor |
| 5 Justerbara främre ben | 6 Sval |
| 7 * Everfresh | 8 * Kallförvaringsfack |
| 9 Fläkt | 10 Justerbara hyllor |
| 11 * Ihopvikbar vinhylla | 12 * Belysning |

***Valfritt:** Bilderna i den här bruksanvisningen är schematiska och inte nödvändigtvis exakt så som på produkten.

Om din produkt inte innehåller de relevanta delarna, kommer informationen att gälla andra modeller.

4 Installation



Läs avsnittet "Säkerhetsinstruktioner" först!

4.1 Rätt installationsplats

Be auktoriserad service installera produkten. För att sätta produkten färdig för användning, läs informationen i

bruksanvisningen och se till att el- och vatteninstallationerna finns att tillgå. Om så inte är fallet, kontakta elektriker och rörmokare för att installera dessa.



VARNING!

Tillverkaren antar inte något ansvar för skador som orsakats av arbete som utförts av icke auktoriserade personer.



VARNING!

Produktens strömkabel måste kopplas ur under installationen. Underlåtenhet att inte göra detta kan resultera i dödsfall eller allvarliga skador!



VARNING!

Om dörren inte passar produkten, ta bort dörren och vrid produkten på sidan; om det inte fungerar ska du kontakta ett godkänt serviceställe.

- Placera produkten på en plan yta för att undvika vibrationer.
- Placera produkten minst 30 cm ifrån elementet, spisen och liknande värmekällor och minst 5 cm ifrån elektriska ugnar.
- Exponera inte produkten för direkt solljus eller fuktig miljö.
- Denna produkt kräver tillräcklig luftcirkulation för att fungera effektivt. Om produkten placeras i en alkov, måste minst 5 cm mellanrum lämnas mellan produkten och tak, bak- och sidoväggar.
- Kontrollera om baksidan avståndsskyddskomponent är på plats (om levererad med produkten).
- Om komponenten inte är tillgänglig, eller den har tappats bort eller ramlat av, placera produkten så, att minst 5 cm mellanrum finns mellan produktens baksida och rummets vägg. Avståndet på baksidan är viktig för produktens effektiva funktion.

4.2 Elektrisk anslutning



Använd inte förlängnings- eller grenuttag vid strömanslutningen.



Skadade kablar måste bytas ut av godkänt serviceställe.



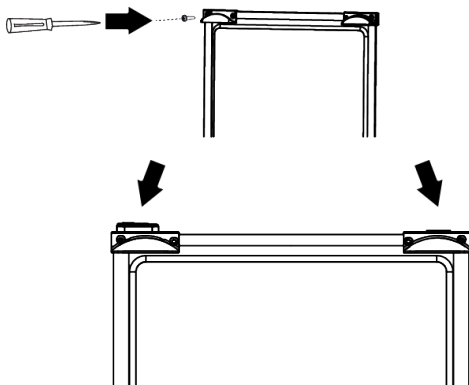
När du placerar två kylare i närliggande positioner, lämna minst 4 cm mellan de två enheterna.

- Vår firma kommer inte anta något ansvar för skador som uppkommit på grund av användande utan jordning och strömanslutningar med nationella bestämmelser.
- Strömkabelkontakten måste vara lättåtkomlig efter installationen.
- Använd inte grenuttag med eller utan förlängningssladd mellan vägguttaget och kylskåpet.

4.3 Installation av plastkilar

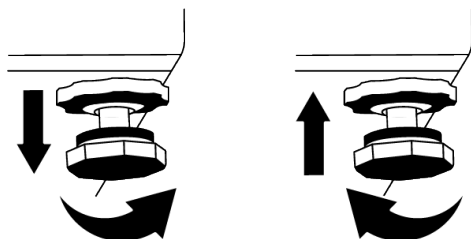
Använd plastkilarna som medföljer produkten, för att ge tillräckligt med utrymme för luftcirkulation mellan produkten och väggen.

1. För att fästa kilarna, ta bort skruvarna på produkten och använd skrivarerna som lämnas tillsammans med kilarna.
2. Fäst 2 plastkilar på ventilationshättan som visas i bilden.



4.4 Justera benen

Om produkten inte är en balanserad position, justera de justerbara benen fram, genom om att rotera dem åt höger eller vänster.



4.5 Byte av dörrens öppningsriktning

Kylskåpsdörrens öppningsriktning kan bytas enligt installationsplatsen. Kontakta närmaste auktoriserade service för att göra detta.

4.6 Varning för heta ytor

Sidorna på kylskåpet är utrustade med avkylningsrör för att förbättra kylsystemet. Högtrycksvätska kan rinna ut här och ge heta sidoväggar. Detta är normalt och är inte något fel som kräver service. Var försiktig när du vidrör dessa ytor.

5 Förberedelse



Läs avsnittet "Säkerhetsinstruktioner" först!

5.1 Energibesparande åtgärder.



Att ansluta produkten till elektroniskt energisparande system är skadligt, det kan skada produkten.

- Denna kylskåp är inte avsett att användas som en inbyggd enhet
- Ha inte kylens dörrar öppna länge.
- Placera inte varm mat eller dryck i kylan.
- Fyll inte kylan; blockering av det interna luftflödet kommer minska kylkapaciteten.
- För att lasta in den maximala mängden mat i kylutrymmet i ditt kylskåp, bör de övre lådorna tas ut och maten placeras på tråden / glashyllorna. Nettovolym och energiförbrukning information som anges i energimärkning av ditt kylskåp testades genom att ta ut de övre lådorna i kylaren avdelningen och ishinken, som är lätt att ta bort för hand.
- Användning av lådan nedan till förvaring rekommenderas.
- Beroende på produktens funktioner; att tina livsmedel i kylfacket kommer att säkerställa energibesparing och bibehålla livsmedelskvalitén.

- Kontrollera att livsmedlen inte är i kontakt med kylfackens temperatursensorer enligt nedan.
- Mat ska ställas in i kylfacken för att säkerställa energibesparing och skydda maten under bättre förhållanden.
- Matförpackningar bör inte vara i direkt kontakt med värmesensorn som sitter i kylutrymmet.
- Vid kontakt med sensorn kan enhetens energiförbrukning öka

5.2 Första användning

Innan du använder din kyl ska du kontrollera och säkerställa att nödvändiga förberedelser har vidtagits i enlighet med instruktionerna i "Säkerhets- och miljöinstruktioner" samt avsnittet om "Installation".

- Håll produkten igång utan att placera någon mat inuti i 6 timmar och öppna inte dörren, om det inte är absolut nödvändigt.
- Temperaturförändringen som orsakas av att dörren öppnas och stängs vid användning av produkten kan normalt leda till kondens på livsmedel som placeras på dörr-/karoshyllor och glasbehållare som placeras i produkten.



Ett ljud kommer att höras när kompressorn startas. Ljud kan höras från produkten fast kompressorn inte är igång, då vätska och gas kan komprimeras i kylsystemet.



Det är normalt för fronten på kylan att bli varma. Dessa områden är utformade att bli varma för att förhindra kondensation.



För vissa modeller stängs indikatorpanelen av automatiskt 1 minuter efter att dörren stängts. Den kommer att åter aktiveras när dörren är öppen eller någon knapp trycks in.

6 Användning av produkten



Läs avsnittet "Säkerhetsinstruktioner" först!

- Denna produkt lämpar sig inte till frysning av mat.
- Använd inte några verktyg eller vassa föremål än de som rekommenderats av tillverkaren för att påskynda upptinningsprocessen.
- Använd aldrig delarna på ditt kylskåp, t.ex. lådorna eller dörren som stöd eller trappsteg. Detta kan orsaka att hela skåpet välter eller skadas.
- Produkten ska endast användas för att lagra livsmedel och drycker.

5.3 Klimatklass och definitioner

Se klimatklassen i produktens typskylt. En av följande information berör din apparat enligt klimatklassen.

- **SN:** Långtids tempererad klimat: Denna kylapparat är ämnad att användas i omgivningens temperatur mellan 10 °C och 32 °C.
- **N:** Tempererad klimat: Denna kylapparat är ämnad att användas i omgivningens temperatur mellan 16 °C och 32 °C.
- **ST:** Subtropisk klimat: Denna kylapparat är ämnad att användas i omgivningens temperatur mellan 16 °C och 38 °C.
- **T:** Tropisk klimat: Denna kylapparat är ämnad att användas i omgivningens temperatur mellan 16 °C och 43 °C.

SV

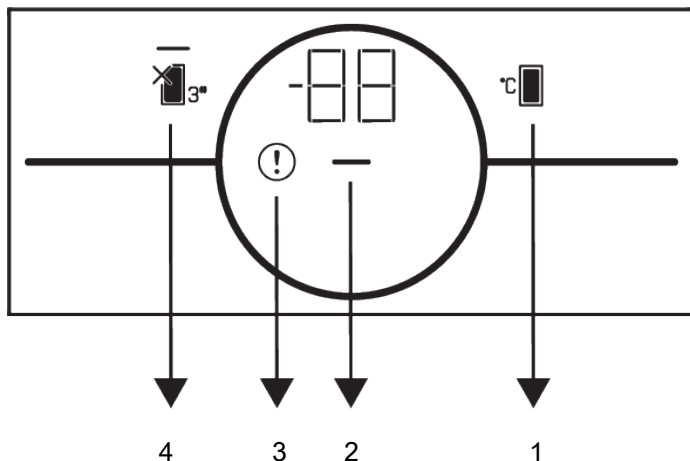
- Stäng av vattenventil om du inte kommer att vara hemma (t.ex. på semestern) eller om du inte ska använda ismaskinen eller vattenbehållaren för en längre tid. Annars kanske vatten läcker ut.

Avbryta ett program

- Om du inte använder produkten under en längre tid ska du koppla den ur vägguttaget.
- Ta bort mat för att förebygga lukt.
- Låt isen smälta, rengör insidan och låt det torka, lämna dörren öppen för att undvika skador på plastdelarna inuti.

7 Användning av apparaten

7.1 Produktens kontrollpanel



1 Sıcaklık Ayar Tuşu

2 Enerji Tasarrufu (Ekran Kpalı)
Göstergesi

3 Hata Durumu Göstergesi

4 Soğutucu Bölme
Kapama(Tatil)Fonksiyonu Tuşu



Läs avsnittet
"Säkerhetsinstruktioner" först.

Ljud- och visuella funktioner i indikatorpanelen kommer assistera dig i användandet av kylan.

***Valfritt:** De visade funktionerna är tillval, och det kan finnas skillnader mellan skepnad och placering av funktionerna på apparatens skärm.

1. Temperaturjusteringsknapp

Temperaturinställningen görs för kylskåpet. Fackets temperatur kan ställas till 1 °C, 2 °C, 3 °C, 4 °C, 5 °C, 6 °C, 7 °C , 8 °C.

2. Energibesparingsindikator (skärmen av)

Energibesparingsfunktionen möjliggörs automatiskt och energibesparingsymbolen visas när dörren inte öppnas eller stängs under en längre tid. När energibesparingsfunktionen är aktiverad

kommer alla symboler på displayen förutom energibesparingssymbolen att stängas av. När energibesparingsfunktionen är aktiv och man trycker på någon knapp eller öppnar dörren så kommer energibesparingsfunktionen att avaktiveras och skärmen återgår till det normala läget. Energibesparingsfunktionen är en aktiv funktion och kan inte stängas av.

3. Felindikator

Denna indikator ska aktiveras när ditt kylskåp inte kan få till adekvat nedkylning eller om det är något sensorfel. På frysackets temperaturindikator visas bokstaven "E" och på kylfackets temperaturindikator visas siffrorna 1, 2, 3. Siffrorna på indikatorn visar krävd service angående felet. Om varm mat placeras i frysacket eller dess dörr lämnas öppen en längre tid, kan utropstecknet tändas. Det är

inte något fel, varningen ska försvinna när maten kylts ner eller när man trycker på någon annan knapp.

4. Kylfacket AV (semester)

funktionsknapp

Tryck ner knappen i 3 sekunder för att aktivera semesterfunktionen. Semesterläget aktiveras och LED-lampan tänds. Alla ikoner

på kylfackets temperaturindikator slocknar och kylfacket kyler inte längre ner mat. Det är inte lämpligt att behålla maten i kylan när denna funktion är aktiverad. Tryck ner knappen i 3 sekunder för att avaktivera denna funktion.

SV

7.2 Förvaring av mat i kylfacket

- Fackets temperatur stiger märkbart, om dess dörr öppnas och stängs ofta och hålls öppet längre perioder. Detta kan förkorta matens hållbarhet och göra den dålig.
- För att inte orsaka lukter och smakförändringar, ska maten förvaras i slutna behållare.
- Förvara inte för mycket mat i kylskåpet. För att erhålla bättre och jämnare kylning, placera maten separat så att kall luft kan cirkulera runt dem.
- För bättre luftcirkulation, lämna mellanrum mellan maten och innerväggarna. Om maten rör i bakväggen, kan den frysa.
- Låt lagad varm mat uppnå rumstemperatur innan den placeras i kylskåpet. Därefter kan du placera ljummen mat på de nedre hyllorna i kylskåpet. Placera inte ljummen mat nära mat som fördäras lätt.
- Tina fryst mat i färskmatsfacket. På detta sätt kan du kyla färskmatsfacket med fryst mat och spara energi.
- Förvaring av omogen tropisk frukt (mango, melonvarianter, papaya, banan, ananas) i kylskåpet kan snabba på mogningsprocessen. Detta rekommenderas inte, då det förkortar förvaringstiden.
- Förvara lök, vitlök, ingefära och andra rotgrönsaker på mörk och sval plats, inte i kylskåpet.
- Om du märker att maten har blivit dålig i kylskåpet, kasta iväg det och rengör utrustningen som har kommit i kontakt med det.
- För att kyla ner mat som soppor och stuvningar, som har tillagats i stora kastruller, lägg dem i kylskåpet genom att separera dem i egna behållare.
- Placera inte opackad mat nära aggen.
- Håll frukter och grönsaker separerade och förvara varje sort tillsammans (t. ex. äpplen med äpplen, morötter med morötter)
- Ta gröna grönsaker ur plastpåsen och placera dem i kylskåpet efter att ha virat in dem i pappershandduk eller handduk. Om du tvättar denna matyp innan den placeras i kylskåpet, kom ihåg att torka dem.
- Du kan skapa både fuktig miljö och förse luftström genom att förvara frukter och grönsaker, som är benägna att torka, i perforerade eller öppna plastpåsar.
- Förutom i fall där extrema miljöförhållanden, om produkten (i tabellen med rekommenderade inställningsvärden) är ställd till specifika inställningsvärden, kan maten behålla färskheten längre i färskmatsfacket och frysfacket.

Förvara mat på olika platser enligt deras egenskaper:	
Mat	Plats
Ägg	Dörrhylla
Mjölksprodukter (smör, ost)	Om tillgänglig, noll-grader (för frukostmat) facket
Frukt, grönsaker och bladgrönsaker	Frukt-grönsaksfacket, svalen eller EverFresh+ facket (om tillgänglig)

Förvara mat på olika platser enligt deras egenskaper:	
Mat	Plats
Färsk mat, fågel, fisk, korva etc. Tillagad mat	Om tillgänglig, noll-grader (för frukostmat) facket
Färdig mat, förpackade produkter, burkmat och inlagd mat	Översta hyllan eller dörrhyllan
Drycker, flaskor, kryddor och mellanmål	Dörrhylla

Placering av livsmedlen

Kylfackets hyllor:Livsmedel som är i grytor, övertäckta tallrikar, behållare, ägg i burk

Kylfackets dörrhyllor :Små och förpackad mat eller dryck

Sval:Grönsaker och frukt

7.3 Sval

Kylens grönsaksfack är till för att hålla grönsakerna fräscha genom att hålla dem fuktiga. Av denna anledning är den generella kallluftscirkulationen intensifierad i grönsaksfacket. Ha frukt och grönsaker i det här facket. Håll grönbladiga växter och övriga grönsaker separerade för att förlänga deras hållbarhet.

7.4 Mjölksprodukter kallförvaringsområde

Kallförvaringslåda

Kallförvaringslådans temperatur kan vara lägre i kylfacket. Använd denna låda för delikatessprodukter (salami, korv osv) och mjölkprodukter, som kräver kallare förvaringsförhållanden, eller för kött, kyckling eller fisk som ska konsumeras fort. Den är inte lämplig till förvaring av frukt och grönsaker.

7.5 Byte av dörrens öppningsriktning

Kylskåpsdörrens öppningsriktning kan bytas enligt installationsplatsen. Kontakta närmaste auktoriserade service för att göra detta.

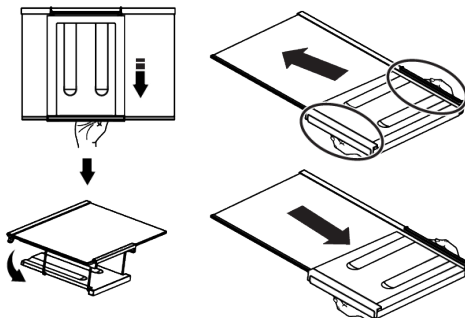
7.6 Varning för öppen dörr

Varning för öppen dörr

En ljudsignal kommer höras när produktens dörr hålls öppen under 1 minut. Ljudsignalen kommer sluta när dörren stängs eller en knapp på skärmen trycks in (om det alternativet finns).

7.7 Ihopvikbar vinhylla

Du kan använda till att förvara vinflaskor vid behov. För att använda ställningsdelen, ta tag i plastdelen och dra den ner försiktigt. Nu kan du använda den ihopvikbara vinhyllan.



Ta bort den ihopvikbara vinhyllan genom att först ta bort glashyllan ur kylskåpet. Placera den på glashyllan genom att trycka plastdelen genom fram- och baksåren, såsom visas i bilden. Produkten kan användas med den ihopvikbara vinhyllan.

Ta bort den ihopvikbara vinhyllan genom att först ta bort glashyllan ur kylskåpet. Håll i plastdelen och dra den mot önskad riktning. Nu kan du använda produkten utan den ihopvikbara vinhyllan.

7.8 Byte av lampa

Kontakta auktoriserad service, när lampan/LED-lampan i kylskåpet ska bytas.

Lamporna som används i kylskåpet kan inte användas för att lysa upp huset. Avsedd användning av denna lampa är att hjälpa användaren att placera mat i kylskåpet/frys-skåpet på ett säkert och bekvämt sätt.

SV

8 Underhåll och rengöring



VARNING!

Läs avsnittet "Säkerhetsinstruktioner" först.



VARNING!

Koppla ur kylskåpet innan du rengör det.

- Använd inte vassa eller slipade verktyg för att rengöra produkten. Använd inte material som rengöringsmedel, tvättmedel, gas, bensin, lacknafta, alkohol, vax etc.
- Dammen ska tas bort från ventilationsgallret baktill på kylskåpet åtminstone en gång per år (utan att öppna täckkåpan). Rengör produkten med torr trasa.
- Var noga med att hålla undan vatten ifrån lamplocket och över de elektriska delarna.
- Rengör dörren med hjälp av en fuktig trasa. Ta bort allt innehåll för att kunna ta bort dörren och hyllorna. Ta bort dörrhyllorna genom att dra dem uppåt. Rengör och torka hyllorna, fäst dem sedan igen genom att låta dem glida på, ovanifrån.
- Använd inte klorerat vatten eller rengöringsprodukter på de externa ytorna och krombeklädda delarna av produkten. Klorin kommer att orsaka rost på sådana ytor.
- Använd inte skarpa, slipade verktyg, tvål, såpa, tvättmedel, gas bensin, fernissa eller liknande ämnen för att förhindra deformation av plastdelarna eller ta bort påtryckta anvisningar på komponenterna. Använd ljummet vatten och en mjuk trasa för rengöring och torka sedan av det torra.

- Om frysskåpet har automatisk avfrostning, kan droppar och is som är tjockare än en finger förekomma på bakre väggen i frysfacket. Rengör det inte och applicera aldrig olja eller liknande medel på den.
- Använd en måttligt blöt mikrofiberduk för att rengöra utsidan av kyl-/frysskåpet. Svampar och andra typer av rengöringsdukar kan repa ytan.
- För att rengöra alla flyttbara delar vid rengöringen av insidan av kyl-/frysskåpet tvättar man dessa delar med en mild tvållösning med såpa, vatten och bikarbonat. Tvätta och torka noggrant. Förebygg kontakt med vatten på belysningskomponenter och kontrollpanel.



VARNING!

Använd inte vinäger, rengörings-sprit eller andra alkoholbaserade rengöringsmedel på några innersidor.

Rostfria utsidor

Använd ett mildt rengöringsmedel för att rengöra rostfria ytor och använd en mjuk luddfri trasa. För att polera gnider man ytan lätt med en mikrofiberduk som fuktats i vatten och torka sedan efter med ett sämskskinn. Följ alltid sprickriktningen på rostfritt stål.

Förhindra dålig lukt

Produkten är tillverkad i helt luktfria material. Men, har man mat i avdelningarna och inte rengör noga inuti facken kan detta leda till dålig lukt.

- För att undvika detta, ska insidan rengöras med kolsyrat vatten var 15:e dag.

- Ha maten i slutna behållare, då mikroorganismer kan sprida sig från oförseglade livsmedel och orsaka dålig doft.
- Förvara inte utgångna och gamla livsmedel i kylan.

9 Felsökning

Kolla den här listan innan du kontaktar servicestället. Genom att göra detta kan du bespara dig både tid och pengar. Den här listan inkluderar de vanligaste klagomålen som inte är relaterade till felaktig tillverkning eller materialfel. Vissa funktioner som anges här i kanske inte gäller din produkt.

Kylen fungerar inte.

- Strömkabeln är inte isatt ordentligt. >>> Fäst den ordentligt i uttaget.
- Säkringens som är ansluten till uttaget har gått sönder. >>> Kontrollera säkringen.

Kondensation på sidoväggen i kylfacket (FLERZON, COOL Kontroller och FLEXI ZONE.).

- Dörren öppnas för ofta. >>> Se till att inte öppna produktens dörr för ofta.
- Miljön är för fuktig. >>> Installera inte produkten i en fuktig miljö.
- Livsmedel som innehåller vätskor står förpackade i förpackningar som inte är förslutna. >>> Ha livsmedlen som innehåller vätskor i burkar med lock.
- Produktens dörr är öppen. >>> Håll inte produktens dörr öppen under långa perioder.
- Termostaten är inställd på för låg temperatur. >>> Ställ in termostaten på rätt temperatur.

Kompressorn fungerar inte.

- Om det plötsligt sker ett strömavbrott eller om du drar ur kontakten och sätter i den igen kan fastrycket i produktens kylsystem komma i obalans och det utlöser kompressorns termiska skyddsmekanism. Produkten kommer att starta efter cirka 6 minuter. Om produkten inte startar efter den här tiden, kontakta servicestället.

Skydda plastytor

Olja som spills ut på plastytorna kan skada ytorna och måste rengöras direkt med varmt vatten.

- Avfrostning är aktiv. >>> Detta är normalt för en fullt automatiskt avfrostande produkt. Avfrostningen utförs regelbundet.
- Produkten är inte inkopplad. >>> Kontrollera att strömkabeln är inkopplad.
- Temperaturinställningen är inkorrekt. >>> Välj lämplig temperaturinställning.
- Strömmen är av. >>> Produkten kommer fortsätta att fungera normalt när strömmen återkommer.

Kylskåpets driftbrus ökar när den används.

- Produktens driftsfunktion beror på den omgivande temperaturens variationer. Detta är normalt och är inte ett fel.

Kylen kör för ofta eller för länge.

- Den nya produkten kan vara större än den föregående. Större produkter kommer köra under längre perioder.
- Rumstemperaturen kan vara hög. >>> Produkten kommer normalt köra under längre perioder i högre rumstemperatur.
- Produkten kan ha anslutits nyligen eller ett nytt livsmedel kan ha placerats i kylan. Produkten kommer ta längre tid att nå den angivna temperaturen när den nyligen har anslutits eller om nya livsmedel har placerats i den. Det är normalt.
- Stora kvantiteter med varm mat kan nyligen ha placerats i produkten. >>> Placera inte varm mat i produkten.
- Dörrarna kan nyligen har varit öppna ofta eller länge. >>> Den varma luften rör sig inne i produkten och orsakar att den körs längre. Öppna inte dörrarna för ofta.
- Frys- eller kyldörrarna kan vara på glänt. >>> Kontrollera att dörrarna är helt stängda.

- Produkten kan vara inställd på en för låg temperatur. >>> Ställ in temperaturen på en högre temperatur och vänta på att produkten ska nå den justerade temperaturen.
- Kyl- eller frys-dörrens list kan vara smutsig, sliten, trasig eller inte rätt fäst. >>> Rengör eller byt ut listen. Skadad/riven dörrlist kan få produkten att köra under längre perioder för att hålla den aktuella temperaturen.

Frysens temperatur är mycket låg, men kyltemperaturen är ok.

- Frysfackets temperatur är inställt på en mycket låg nivå. >>> Ställ in frysfackets temperatur till en högre temperatur och kontrollera igen.

Kylens temperatur är mycket låg, men frystemperaturen är ok.

- Kylfackets temperatur är inställt på en mycket låg nivå. >>> Ställ in kylfackets temperatur till en högre temperatur och kontrollera igen.

Livsmedlen som är i kylfackets lådor är fryst.

- Kylfackets temperatur är inställt på en mycket låg nivå. >>> Ställ in kylfackets temperatur till en högre temperatur och kontrollera igen.

Temperaturen i kylan eller frysen är för hög.

- Kylfackets temperatur är inställt på en mycket hög nivå. >>> Temperaturinställning av kylfacket påverkar temperaturen i frysfacket. Vänta tills temperaturen på relevanta delar når tillräcklig nivå genom att ändra temperaturen i kyl- eller frysfacken.
- Dörrarna kan nyligen har varit öppna ofta eller länge. >>> Öppna inte dörrarna för ofta.
- Dörren kan vara på glänt. >>> Stäng dörren helt.
- Produkten kan ha anslutits nyligen eller ett nytt livsmedel kan ha placerats i kylan. >>> Det är normalt. Produkten kommer ta

längre tid att nå den angivna temperaturen när den nyligen har anslutits eller om nya livsmedel har placerats i den.

- Stora kvantiteter med varm mat kan nyligen har placerats i produkten. >>> Placera inte varm mat i produkten.

Skakningar eller ljud

- Ytan är inte plan eller stadig >>> Om produkten skakar när den rörs långsamt, justera ställen för att balansera produkten. Kontrollera också att underlaget är tillräckligt starkt för att bära produkten.
- Allt som placeras på produkten kan orsaka ljud. >>> Ta bort allt som är placerat på produkten.
- Produkten gör ljud från vätska som flödar, sprutar etc.
- Produktens drift innehåller vätske- och gasflöden. >>> Detta är normalt och inte ett fel.

Det låter som vind blåser ifrån produkten.

- Produkten använder en fläkt i kylprocessen. Detta är normalt och är inte ett fel.

Det finns kondens på produktens innerväggar.

- Varmt eller fuktigt väder kommer öka isbildningen och kondensationen. Detta är normalt och är inte ett fel.
- Dörrarna kan nyligen har varit öppna ofta eller länge. >>> Öppna inte dörrarna för ofta, om den är öppen, stäng dörren.
- Dörren kan vara på glänt. >>> Stäng dörren helt.

Det finns kondens på produktens utsida eller mellan dörrarna.

- Det omgivande vädren kan vara fuktigt, det är ganska vanligt i fuktigt väder. >>> Kondensationen kommer att försvinna när fuktigheten minskar.

Interiören luktar illa.

- Produkten rengörs inte regelbundet. >>> Rengör interiören på produkten regelbundet genom att använda svamp, varmvatten och kolsyrat vatten.

- Vissa hållare och paketeringsmaterial kan orsaka dofter. >>> Använd hållare och paketeringsmaterial utan dofter.
- Livsmedlen placerades i behållare som inte har förseglats. >>> Ha maten i slutna behållare. Mikroorganismer kan spridas från de livsmedel som inte är täckta och förorsaka dofter.
- Ta bort alla utgångna eller gamla livsmedel ifrån produkten.

Dörren stängs inte.

- Livsmedelspaket kan blockera dörren. >>> Placera om sakerna som blockerar dörren.
- Produkten står inte helt rakt på underlaget. >>> Justera ställen för att balansera produkten.
- Ytan är inte plan eller stadig >>> Kontrollera att underlaget är plant och tillräckligt starkt för att bära produkten

Svalen är full.

- Livsmedlen kan ha kommit i kontakt med övre delen av lådan. >>> Omorganisera livsmedlen i lådan.

Temperaturen på produktens yta.

- Höga temperaturer kan observeras mellan de två dörrarna, på sidopanelerna och vid den bakre grillen medan produkten är i drift. Detta är normalt och är inte något fel som kräver service.

Fläkten fortsätter att fungera när dörren öppnas.

- Fläkten kan fortsätta att fungera när frysdörren öppnas.



WARNING! Om problemen kvarstår efter den följande har åtföljts, kontakta återförsäljare eller auktoriserad service. Försök inte reparera produkten. Det är normalt.

ANSVARFRISKRIVNING/VARNING

Slutanvändaren kan lösa en del (enkla) fel utan att det leder till säkerhetsproblem eller osäker användning, förutsatt att de utförs inom begränsningarna och enligt följande instruktioner (se sektion ”Självreparation”). Därför ska, om inte annat angetts, reparationerna som i sektionen ”Självreparation” överlämnas till registrerad professionell reparatör, för att undvika säkerhetsproblem. En registrerad professionell reparatör är en person, som tillverkaren har gett åtkomst till denna produkts instruktioner och reservdelslista enligt metoder som beskrivits i Direktivets 2009/125/EC laghandlingar.

Emellertid kan endast servicerepresentant (auktoriserad professionell reparatör), som kan nå genom telefonnumret i bruksanvisningen/garantikortet eller auktoriserad återförsäljare utföra service under garantitiden. Märk därför, att reparationer utförda av professionell

reparatör (som inte är auktoriserad av) Grundig kommer att upphäva garantin.

Självreparationer

Självreparationer

Slutanvändaren kan utföra självreparationer angående följande reservdelar: dörrhandtag, dörrgångjärn, fack, korgar och dörrtätningar (en uppdaterad lista finns också tillgänglig på adressen support.grundig.com från och med 1. mars 2021)..

För att försäkra produktens säkerhet och förhindra allvarlig personskada, ska nämnda självreparationer utföras enligt instruktionerna för självreparationer i bruksanvisningen eller som finns tillgängliga på adressen support.grundig.com . Koppla ur produkten innan självreparationer utförs. Alla självreparationer eller försök till dessa utförda av slutanvändaren av delar som inte inkluderats i nämnda lista och/eller att instruktionerna i bruksanvisningen eller som finns tillgängliga på adressen support.grundig.com inte åtföljs, kan leda till säkerhetsproblem utanför Grundigkontroll och upphäva garantin.

Därför rekommenderar vi att slutanvändaren avstår från att utföra reparationer, som inte nämnts i reservdelslistan, utan kontaktar istället auktoriserad professionell reparatör eller registrerad professionell reparatör. Å andra sidan kan dessa reparationer utförda av slutanvändare leda till säkerhetsproblem och skador på produkten och orsaka brand, översvämning, elchock och andra allvarliga personskador.

T. ex., men inte begränsad till, måste följande reparationer utföras av professionell auktoriserad eller registrerad reparatör: kompressor, kylkrets, moderkort, inverterkort, displaykort etc.

Tillverkaren/säljaren kan inte hållas ansvarig i fall, där slutanvändaren inte följer ovan nämnda regler.

Reservdelar till kylskåpet finns tillgängliga i 10 år. Under denna period kommer reservdelar att finnas tillgängliga, för att kylskåpet ska fungera på korrekt sätt. Minimigarantitiden för kylskåpet som du köpt är 24 månader.

Denna produkt innehåller ljuskälla med 'G' energiklass.

Ljuskällan i produkten måste bytas av kvalificerad reparatör.



