

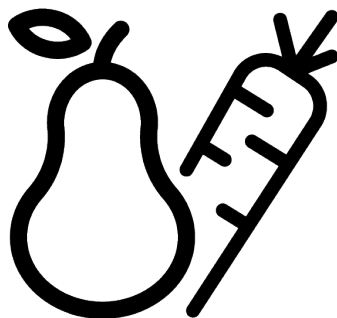
# GRUNDIG

**Refrigerator** / User Manual

**Frigorifero** / Manuale Utente

**Ψυγείο** / Εγχειρίδιο Χρήστη

**Frigider** / Manual de utilizare



GDPN67830LXW

58 8689 0000/ EN/ IT/ EL/ RO/ AE/ 23/11/23 17:00  
7257746990



<b>Table of Contents</b>	<b>10 Maintenance and Cleaning..... 25</b>
<b>1 Safety Instructions..... 4</b>	<b>11 Troubleshooting ..... 26</b>
1.1 Intention of Use ..... 4	
1.2 Safety of Children, Vulnerable Persons and Pets ..... 4	
1.3 Electrical Safety..... 5	
1.4 Handling Safety ..... 5	
1.5 Installation Safety..... 6	
1.6 Operational Safety..... 8	
1.7 Food Storage Safety..... 10	
1.8 Maintenance and Cleaning Safety 11	
1.9 Disposal of the Old Product..... 12	
1.10 Technical Information About Bluetooth + Wi-fi ..... 12	
<b>2 Environmental Instructions..... 13</b>	
2.1 Compliance with the WEEE Dir- ective and Disposing of the Waste Product ..... 13	
<b>3 Your Refrigerator ..... 14</b>	
<b>4 Installation ..... 15</b>	
4.1 Right Place For Installation..... 15	
4.2 Electrical Connection ..... 15	
4.3 Attaching the Plastic Wedges ..... 15	
4.4 Adjusting the Legs..... 16	
4.5 Hot Surface Warning ..... 16	
<b>5 Preparation..... 16</b>	
5.1 What To Do For Energy Saving ..... 16	
5.2 First Use ..... 16	
5.3 Climate Class and Definitions ..... 17	
<b>6 Operating the Product..... 17</b>	
<b>7 Control Panel of the Product..... 18</b>	
<b>8 Using The Product..... 20</b>	
8.1 Storing Food in the Freezer and Cooler Compartment..... 20	
8.2 Replacing the Illumination Lamp.. 23	
8.3 Door Open Alert ..... 23	
8.4 Reversing the Door Opening Side. 23	
<b>9 Product Features ..... 23</b>	
9.1 The ice storage area..... 23	
9.2 Crisper ..... 24	
9.3 Crisper Technologies ..... 24	
9.4 Dairy Products Cold Storage Area 24	
9.5 AeroFresh..... 24	
9.6 Humidity Controlled Crisper ..... 24	

## Please read this manual first!

### Dear Customer

#### Please read this manual before using the product.

Thank you for choosing this Grundig product. We would like you to achieve the optimal efficiency from this high quality product which has been manufactured with state of the art technology. To do this, carefully read this manual and any other documentation provided before using the product and keep it as a reference.

Heed all information and warnings in the user manual. This way, you will protect yourself and your product against the dangers that may occur.

Keep the user manual. Include this manual with the unit if you hand it over to someone else.

#### The following symbols are used in the user manual:



Hazard that may result in death or injury.



Important information or useful tips on operation.



Read the user manual.



Combustible material, warning against fire hazard.

NOTICE A hazard that may cause material damage to the product or its surroundings

		<p>The model information as stored in the product data base can be reached by entering following website and searching for your model identifier (*) found on energy label.</p> <p><a href="https://eprel.ec.europa.eu/">https://eprel.ec.europa.eu/</a></p>
<p>SUPPLIER'S NAME</p>	<p>MODEL IDENTIFIER → (*)</p>	

## 1 Safety Instructions

- This section includes the safety instructions necessary to prevent the risk of personal injury or material damage.
- Our company shall not be held responsible for damages that may occur if these instructions are not observed.



Always have installation and repair operations performed by manufacturer, authorized service or a person who will be described by importer company.



Use original spare parts and accessories only.



Do not repair or replace any component of the product unless it is clearly specified in the user manual.



Do not perform any modifications on the product.

### 1.1 Intention of Use

- This product is not suitable for commercial use and should not be used for a purpose other than its intended use.
- This product is intended for operating interiors, such as households or similar.

For example;

In the staff kitchens of the stores, offices and other working environments,

In farm houses,  
In the units of hotels, motels or other resting facilities that are used by the customers,  
In hostels, or similar environments,  
In catering services and similar non-retail applications.

- This product shall not be used in open or enclosed external environments such as vessels, camper vans, balconies or terraces. Exposing the product to rain, snow, sunlight and wind may cause risk of fire.



### 1.2 Safety of Children, Vulnerable Persons and Pets

- This product may be used by children aged 8 years and older and persons with underdeveloped physical, sensory or mental capabilities or lack of experience and knowledge if they are being supervised or have been given instruction concerning use of the appliance in a safe way and the hazards involved.
- Children between 3 and 8 years are allowed to put and take out food into/from the cooler product.

- Children and pets must not play with, climb on, or get inside the product.
- Children and pets must be kept away from the cabin area (compressor) where electrical parts are located.
- Cleaning and user maintenance must not be performed by children unless there is someone overseeing them.
- Keep the packaging materials away from children. Risk of injury and suffocation.
- Portable multi-plugs or portable power supplies may overheat and cause fire. Thus, do not have a multi-plug, portable power sources behind or in the vicinity of the product.
- Do not plug the product's power cord in a loose or damaged power outlet. These types of connections may overheat and cause fire.
- The plug shall be easily accessible. If this is not possible, a mechanism that meets the electrical legislation and that disconnects all terminals from the mains (fuse, switch, main switch, etc.) shall be available on the electrical installation.

### **1.3 Electrical Safety**

- The product shall not be plugged into the outlet during installation, maintenance, cleaning, repair, and transportation operations.
- If the power cable is damaged, it shall only be replaced by authorized service to avoid any risks that may occur.
- Do not tuck the power cable under the product or to the rear of the product. Do not put heavy items on the power cable. The power cable should not be bent, crushed, and come into contact with any heat source.
- Do not use an extension cord, multi-plug or adaptor to operate your product.
- Do not use the product when your feet are bare or your body is wet.
- Do not touch the plug with wet hands.
- When unplugging the appliance, don't hold the power cord, but the plug.

### **1.4 Handling Safety**

- Make sure to unplug the appliance before carrying the product.

- This product is heavy, do not handle it by yourself. Injuries may occur if the product falls on you. Do not bump into places or drop the product while transporting it.
- Always close the doors and do not hold the product by its doors while transporting it.
- Be careful not to damage the cooling system and the pipes while handling the product. Do not operate the product if the pipes are damaged, and contact an authorized service.
- Check for any damage on the product before installing it. Do not have the product installed if it is damaged.
- Always use personal protective equipment (gloves, etc.) during product installation, maintenance and repair. Risk of Injury!
- Place the product on a clean, level and hard surface and balance it with the adjustable legs (by rotating the front feet to the right or left). Otherwise, the refrigerator may tip over and cause injuries.

### 1.5 Installation Safety

- Contact the Authorized Service for the product's installation. To prepare the product for use, see the information in the user manual and make sure the electric and water utilities are as required. If not, call a qualified electrician and plumber to arrange the utilities as necessary. Failure to do so may result in electric shock, fire, problems with the product, or injury.
- This product is designed for use at a maximum altitude of 2000 metres above sea level.
- Keep children away from installation area.
- The product shall be installed in a dry and ventilated environment. Do not keep carpets, rugs or similar covers under the product. This may cause risk of fire as a result of inadequate ventilation!
- Do not block or cover ventilation holes. Otherwise, power consumption increases and your product may be damaged.
- When placing the product, make sure that the supply cable is not damaged or pinched.
- The product must not be connected to supply systems and power sources which may cause sudden voltage changes (i.e. a portable solar-energy power source). Otherwise,

damage to your product may occur as a result of the abrupt voltage fluctuations!

- The more refrigerant a refrigerator contains, the bigger its installation room shall be. In very small rooms, a flammable gas-air mixture may occur in case of a gas leak in the cooling system. At least 1 m<sup>3</sup> of volume is required for each 8 grams of refrigerant. The amount of the refrigerant available in your product is specified in the Type Label.
- The product must never be placed in such a way that power cables, the metal hose of the gas stove, metal gas or water pipes come into contact with the product's rear wall (or the condenser).
- The installation place of the product must not be exposed to direct sunlight and it shall not be in the vicinity of a heat source such as stoves, radiators, etc. If you cannot prevent installation of the product in the vicinity of a heat source, use a suitable insulation plate and make sure the minimum distance to the heat source is as specified below:
  - At least 30 cm away from heat sources such as stoves, ovens, heating units and heaters, etc.,
  - And at least 5 cm away from electrical ovens.
- Your product has the protection class of I.
- Plug the product in a grounded socket that conforms with the Voltage, Current and Frequency values specified in the type label. The socket must have a 10A – 16A fuse. Our firm will not assume responsibility for any damages due to usage without earthing and without power connection in compliance with local and national regulations.
- The product's power cable must be unplugged during installation. Otherwise, risk of electric shock and injury may occur!
- Do not plug the product's power cord in loose, dislocated, broken, dirty, oily power outlets which have a risk of water contact. These types of connections may cause overheating and fire.
- Place the power cable and hoses (if any) of the product so that they shall not cause a risk of tripping over.

- Penetration of humidity and liquid to live parts or to the power cord may cause short circuit. Thus, do not use the product in humid environments or in areas where water may splash (e.g. garage, laundry room, etc.) If the refrigerator is wet by water, unplug it and contact an authorized service.
- Do not ever connect your refrigerator to power saving devices. These systems are harmful for the product.
- There is a risk of contact with electrical parts when removing the electronic board cover and the compressor rear cover (if fitted). Do not remove the electronic board cover and the compressor rear cover (if fitted). There is a risk of electrocution!
- Do not place a source of flame (e.g. candles, cigarettes, etc.) on the product or in the vicinity of it.
- Do not get on the product. Risk of falling and injury!
- Do not cause damage to the pipes of the cooling system using sharp and piercing tools. The refrigerant that sprays out in case of puncturing the gas pipes, pipe extensions or upper surface coatings may cause irritation of skin and injury to the eyes.
- Do not place and operate electrical appliances inside the refrigerator/freezer unless it is advised by the manufacturer.
- Do not jam any parts of your hands or your body to the moving parts inside the product. Be careful to prevent jamming of your fingers between the refrigerator and its door. Be careful while opening or closing the door if there are children around.
- Do not put ice cream, ice cubes or frozen food to your mouth as soon as you take them out of the freezer. Risk of frostbite!

## 1.6 Operational Safety

- Do not ever use chemical solvents on the product. These materials contain an explosion risk.
- In case of a failure of the product, unplug it and do not operate until it is repaired by the authorized service. There is a risk of electric shock!



- Do not touch the inner walls, metal parts of the freezer or food kept inside the freezer with wet hands. Risk of frost-bite!
- Do not place soda cans or cans and bottles that contain fluids that may be frozen to the freezer compartment. Cans or bottles may explode. Risk of injury and material damage!
- Do not use or place materials sensitive against temperature such as flammable sprays, flammable objects, dry ice or other chemical agents in the vicinity of the refrigerator. Risk of fire and explosion!
- Do not store explosive materials such as aerosol cans with flammable materials inside the product.
- Do not place cans containing fluids over the product an open state. Splashing of water on an electrical part may cause an electric shock or a fire.
- Due to risk of breaking, do not store glass containers with liquid inside in the freezer compartment.
- This product is not intended for storage and cooling of medicines, blood plasma, laboratory preparations or similar materials and products that are subject to the Medical Products Directive.
- If the product is used against its intended purpose, it may cause damage to or deterioration of the products stored inside.
- If your refrigerator is equipped with blue light, do not look at this light with optical devices. Do not stare directly at UV LED light for a long time. Ultraviolet rays may cause eye strain.
- Do not fill the product with more contents than its capacity. Injuries or damages may occur if the contents of the refrigerator fall when the door is opened. Similar problems may also occur when an object is placed over the product.
- Ensure that you have removed any ice or water that may have fallen to the floor to prevent injuries.
- Change the locations of the racks/bottle racks on the door of your refrigerator only when the racks are empty. Danger of injury!
- Do not place objects that may fall/tip over on the product. These objects may fall while opening or closing the door and cause injuries and/or material damages.

- Do not hit or exert excessive pressure on glass surfaces. Broken glass may cause injuries and/or material damages.
- The cooling system in your product contains R600a refrigerant. The refrigerant type used in the product is specified in the type label. This gas is flammable. Therefore, be careful not to damage the cooling system and the pipes while operating the product. In case of damage to the pipes;
  1. Do not touch the product or the power cable.
  2. Keep the product away from potential sources of fire that may cause the product to catch fire.
  3. Ventilate the area where the product is placed. Do not use a fan.
  4. Contact Authorized Service.If the product is damaged and you observe gas leak, please stay away from the gas. Gas may cause frostbite if it contacts your skin.

Before disposing of old products that shall not be used any more:

  1. Unplug the power cord from the mains socket.
  2. Cut the power cable and remove it from the appliance together with the plug.
- 3. Do not remove the racks and drawers from the product to prevent children from getting inside the appliance.
- 4. Remove the doors.
- 5. Store the product so that it shall not be tipped over.
- 6. Do not allow children to play with the scrapped product.
- Do not dispose of the product by throwing it into fire. Risk of explosion.
- If there is a lock available on the product's door, keep the key out of children's reach.



### 1.7 Food Storage Safety

Please pay attention to the following warnings to avoid food spoilage:

- Leaving the doors open for a long time may cause the temperature inside the product to rise.
- Regularly clean the accessible drainage systems in contact with food.
- Clean the water tanks that have not been used for 48 hours and mains-fed water systems that have not been used for more than 5 days.
- Store raw meat and fish products in appropriate compartments within the product.

Thus, it does not drip on or come into contact with other foods.

- Two-star freezer compartments are used for storing pre-filled foods, making and storing ice and ice cream.
- One, two and three-star compartments are not appropriate for freezing fresh food.
- If the cooling product has been left empty for a long time, turn off the product, defrost, clean, and dry the product in order to protect the housing of the product.

## 1.8 Maintenance and Cleaning Safety

- Unplug the refrigerator before cleaning it or starting to perform maintenance.
- Do not pull by the door handle if you shall move the product for cleaning purposes. Handle may cause injuries if it is pulled too hard.
- Do not put your hands etc. under the refrigerator. Jamming may occur or any sharp edge may cause personal injuries.
- Do not clean the product by spraying or pouring water on the product and inside the product. Risk of electric shock and fire.

- When cleaning the product, do not use sharp and abrasive tools or household cleaning agents, detergent, gas, gasoline, thinner, alcohol, varnish, and similar substances. Use only cleaning and maintenance agents that are not harmful for food inside the product.
- Do not ever use steam or steamed cleaning materials for cleaning the product and thawing the ice inside it. Steam contacts the live areas in your refrigerator and causes short circuit or electric shock.
- Do not use any mechanical tools or any other tools than the recommendations of the manufacturer to speed up the defrost operation.
- Take care to keep water away from the ventilation holes, electronic circuits or lighting of the product.
- Use a clean, dry cloth to wipe the dust or foreign material on the tips of the plugs. Do not use a wet or damp piece of cloth to clean the plug. Otherwise, risk of fire or electric shock may occur.

### 1.9 Disposal of the Old Product

When disposing of your old product follow the instructions below:

- To prevent children from accidentally locking themselves into the product, if there is door lock, disable it.
- Splash of coolant is harmful to the eyes. Do not damage any part of the cooling system while disposing of the product.

- It may be fatal if the compressor oil is swallowed or if it penetrates the respiratory tract.
- Cooling system of your product includes R600a gas as specified in the type label. This gas is flammable. Do not dispose of the product by throwing it into fire. Risk of explosion!
- C-Pentane is used as a blowing agent in insulation foam and it is a flammable substance. Do not dispose of the product by throwing it into fire.

### 1.10 Technical Information About Bluetooth + Wi-fi

Frequency Band:	2.4GHz (Wi-fi or bluetooth function)
Max. Transferring Power:	< 100mW (Wi-fi or bluetooth function)
Software Details:	Quartz_WiFi.XXX

**CE Declaration of Conformity:**  
 Arçelik A.Ş. states that this product is in compliance with 2014/53/EU directive.  
 The entire EU declaration of conformity is available on the following website:  
 Products, the address: [support.grundig.com](http://support.grundig.com)

The defined cybersecurity-related software update support period of the product is the warranty period of the product. After this period, cybersecurity-related software updates are not guaranteed.

## 2 Environmental Instructions

### 2.1 Compliance with the WEEE Directive and Disposing of the Waste Product



This product complies with EU WEEE Directive (2012/19/EU). This product bears a classification symbol for waste electrical and electronic equipment (WEEE).

This symbol indicates that this product shall not be disposed with other household wastes at the end of its service life. Used device must be returned to official collection point for recycling of electrical and electronic devices. To find these collection systems please contact to your local authorities or retailer where the product was purchased. Each household performs important role in recovering and recycling of old appliance. Appropriate disposal of used

appliance helps prevent potential negative consequences for the environment and human health.

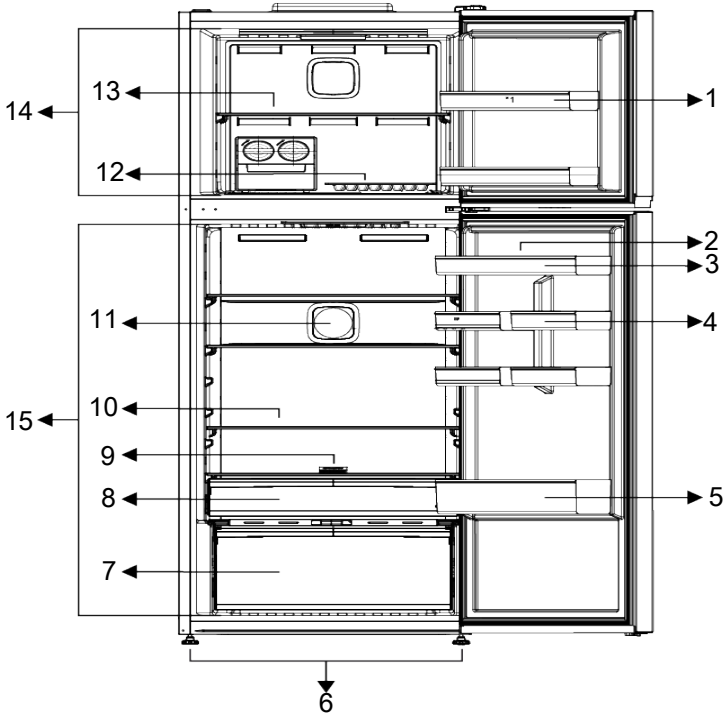
### Compliance with RoHS Directive

The product you have purchased complies with EU RoHS Directive (2011/65/EU). It does not contain harmful and prohibited materials specified in the Directive.



### Package information

Packaging materials of the product are manufactured from recyclable materials in accordance with our National Environment Regulations. Do not dispose of the packaging materials together with the domestic or other wastes. Take them to the packaging material collection points designated by the local authorities.



1 \*Freezer compartment door shelves

3 \*Cooler compartment door shelves

5 \*Bottle shelf

7 Crisper, crisper separator and ethylene filter

9 Filter

11 Fan

13 Freezer compartment glass shelf

15 Cooler compartment

2 Egg holder

4 \*Cooler compartment small door shelves

6 Adjustable legs

8 Dairy (cold storage) drawer

10 \*Cooler compartment glass shelves

12 \*Icematic/ ice storage box

14 Freezer compartment

**\*Optional:** Figures in this user manual are schematic and may not exactly match your product. If your product does not comprise the relevant parts, the information pertains to other models.

## 4 Installation



Read the "Safety Instructions" section first!

### 4.1 Right Place For Installation

Contact the Authorized Service for the product's installation. To prepare the product for installation, see the information in the user manual and make sure the electric and water utilities are as required. If not, call an electrician and plumber to arrange the utilities as necessary.



**WARNING:**

The manufacturer assumes no responsibility for any damages caused by the work carried out by unauthorized persons.



**WARNING:**

The product's power cable must be unplugged during installation. Failure to do so may result in death or serious injuries!



**WARNING:**

If the door span is too narrow for the product to pass, remove the door and turn the product sideways; if this does not work, contact the authorized service.

- Place the product on a flat surface to avoid vibration.
- Place the product at least 30 cm away from the heater, stove and similar sources of heat and at least 5 cm away from electric ovens.
- Do not expose the product to direct sunlight or keep it in damp environments.
- Your product requires adequate air circulation to function efficiently. If the product will be placed in an alcove, remember to leave at least 5 cm clearance between the product and the ceiling, rear wall and the side walls.

- Check if the rear wall clearance protection component is present at its location (if provided with the product).
- If the component is not available, or if it is lost or fallen, position the product so that at least 5 cm clearance shall be left between the rear surface of the product and the wall of the room. The clearance at the rear is important for efficient operation of the product.

### 4.2 Electrical Connection



Do not use extension or multi sockets in power connection.



Damaged power cable must be replaced by Authorized Service.



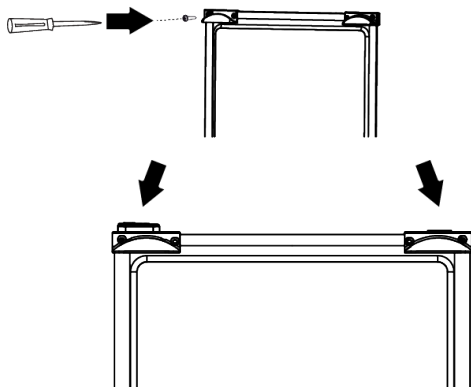
When placing two coolers in adjacent position, leave at least 4 cm distance between the two units.

- Our firm will not assume responsibility for any damages due to usage without earthing and power connection in compliance with national regulations.
- The power cable plug must be easily accessible after installation.
- Do not use multi-group plug with or without extension cable between the wall socket and the refrigerator.

### 4.3 Attaching the Plastic Wedges

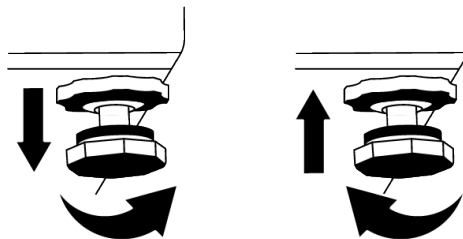
Use the plastic wedges provided with the product to maintain sufficient space for air circulation between the product and the wall.

1. To attach the wedges, remove the screws on the product and use the screws provided with the wedges.
2. Attach 2 plastic wedges on the ventilation cover as shown in the figure.



#### 4.4 Adjusting the Legs

If the product is not in balanced position, adjust the front adjustable legs by rotating them to right or left.




#### 4.5 Hot Surface Warning

The side walls of your product are equipped with cooler pipes to enhance the cooling system. High pressure fluid may flow through these surfaces, and cause hot surfaces on the side walls. This is normal and it does not require servicing. Be careful when you contact these areas.

## 5 Preparation

 Read the "Safety Instructions" section first!

### 5.1 What To Do For Energy Saving

 Connecting the product to electronic energy-saving systems is harmful, as it may damage the product.

- This refrigerating appliance is not intended to be used as a built in appliance.
- Do not keep the refrigerator doors open for long periods.
- Do not place hot food or beverages into the refrigerator.
- Do not overfill the refrigerator; blocking the internal air flow will reduce cooling capacity.
- Since hot and humid air will not directly penetrate into your product when the doors are not opened, your product will optimize itself in conditions sufficient to protect your food. Under these circumstances, functions and components such as compressor, fan, heater, defrost, light-

ing, display and so on will operate according to the needs by consuming minimum energy.

- In case that multiple options are present, glass shelves must be placed so that the air outlets at the rear wall are not blocked and preferably, in a way that air outlets remain below the glass shelf. This combination may help improving air distribution and energy efficiency.
- Using the below drawer when storing is strongly recommended.
- Food shall be stored using the drawers in the cooler compartment in order to ensure energy saving and protect food in better conditions.

### 5.2 First Use

Before using your refrigerator, make sure the necessary preparations are made in line with the instructions in "Safety and Environmental Instructions" and "Installation" sections.

- Keep the product running without placing any food inside for 6 hours and do not open the door, unless absolutely necessary.



- The temperature change caused by opening and closing of the door while using the product may normally lead to condensation on door/body shelves and glassware placed in the product.



A sound will be heard when the compressor is engaged. It is normal for the product to make noise even if the compressor is not running, as fluid and gas may be compressed in the cooling system.



It is normal for the front edges of the refrigerator to be warm. These areas are designed to warm up in order to prevent condensation.



For some models, indicator panel turns off automatically 1 minute after the door closes. It will be re-activated when the door is opened or any button is pressed.

## 6 Operating the Product



Read the "Safety Instructions" section first!

- Do not use any mechanical tools or any other tools than the recommendations of the manufacturer to speed up the defrost operation.
- Do not use parts of your refrigerator such as the door or drawers as a support or a step. This may cause the product to trip over or its components to be damaged.
- The product shall be used for storing food only.

### 5.3 Climate Class and Definitions

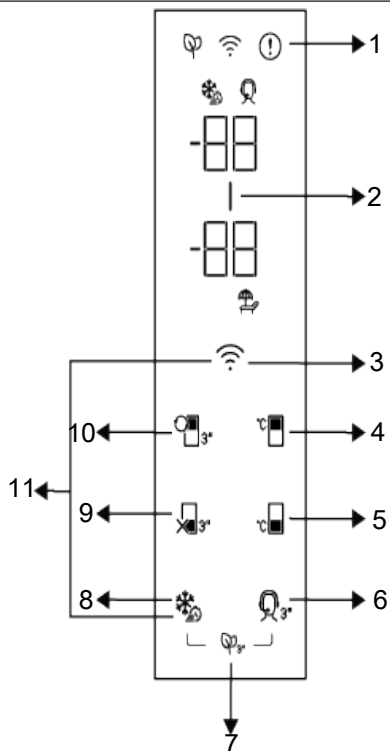
Please refer to the Climate Class on the rating plate of your device. One of the following information is applicable to your device according to the Climate Class.

- **SN:** Long Term Temperate Climate: This cooling device is designed for use at ambient temperatures between 10 °C and 32 °C.
- **N:** Temperate Climate: This cooling device is designed for use at ambient temperatures between 16°C and 32 °C.
- **ST:** Subtropical Climate: This cooling device is designed for use at ambient temperatures between 16°C and 38°C.
- **T:** Tropical Climate: This cooling device is designed for use at ambient temperatures between 16°C and 43°C.

- Turn off the water valve if you will be away from home (e.g. at vacation) and you will not be using the Icematic or the water dispenser for a long period of time. Otherwise, water leaks may occur.

#### Unplugging the Product

- If you are not going to use the product for a long time, unplug the product from the socket.
- Remove the food to prevent odours,
- Wait for the ice to melt, clean the interior and let it dry, leave the doors open to avoid damaging the inner body plastics.



- |   |   |
|---|---|
| 1 Error Status Indicator                          | 2 Energy Saving (Display Off) Indicator                 |
| 3 *Wireless Key                                   | 4 Freezer Compartment Temperature Setting Key           |
| 5 Cooler Compartment Temperature Setting Key      | 6 *Support Service Key                                  |
| 7 *Deodoriser Module Key                          | 8 *Quick Freezing Key/Handle Light Function Setting Key |
| 9 *Cooler Compartment Off (Vacation) Function Key | 10 *Compartment Conversion Key                          |
| 11 Key for Resetting Wireless Connection Settings |   |

 Read the "Safety Instructions" section first.

\*Optional: Shown functions are optional, there may be differences of shape and location in functions found on your appliance's indicator panel.

Auditory and visual functions on the indicator panel will assist you in using the refrigerator.

### 1. Error Condition Indicator

This indicator will be active when your refrigerator cannot perform adequate cooling or in case of any sensor error. "E" will be

displayed on the freezer compartment temperature indicator and figures such as 1,2,3... will be displayed on the cooler compartment temperature indicator. These figures provide information to the authorized service on the error that has occurred.

Exclamation mark may be displayed for a while when you load warm food to the freezer compartment or keep the door open for a long period of time. This is not a fault, this warning will be removed when the food is cooled down or when any key is pressed.

## 2. Energy Saving (Display Off) Indicator

Energy saving function is enabled automatically and the energy saving symbol lights up when the door of the product is not opened or closed for some period of time. When the energy saving function is active, all symbols on the screen except the energy saving symbol will be turned off. When the energy saving function is active, if you press any key or open the door, the energy saving function will be deactivated and the symbols on the screen will return to normal. The energy saving function is a function activated ex-factory and cannot be cancelled.

## 3. \*Wireless Key

When the key is pressed for a long period (3 seconds), the wireless connection symbol on the display/screen flashes slowly (at 0.5 second intervals). The home network is initialized on the product this way.

After achieving wireless connection with the product, wireless connection symbol illuminates continuously.

When the initial connection is established, you may activate/deactivate the connection with a short press on this key. The wireless connection symbol will flash quickly (at 0.2 second intervals) until the connection is established. When the connection is active, the wireless network symbol will illuminate continuously.

If the connection cannot be established for a long period, check your connection settings and refer to the "Troubleshooting" section provided in the user manual.

HomeWhiz application will be used for wireless connection. The installation steps are described on the application during installation.

You may access the application by reading the QR code available on the HomeWhiz label on the product. Application is offered through App Store for IOS devices, and through Play Store for Android devices.

Visit <https://www.homewhiz.com/> address for detailed information.

## 4. The Freezer Compartment Temperature Setting Key

Temperature setting is made for freezer compartment. Pressing this key will enable the freezer compartment temperature to be set at -18,-19,-20,-21,-22,-23,-24 Celsius.

## 5. Cooler Compartment Temperature Setting Key

Allows setting of temperature for cooler compartment. When this key is pressed on, the cooler compartment temperature is set to 8,7,6,5,4,3,2 and 1 Celsius values

## 6. \*Support Service Key

Press this key for 3 seconds to activate/deactivate the support service. Detailed information on the support service is provided in the "Support Service Feature" section.

## 7. \*Deodoriser Module Key

Press this key for 3 seconds to activate/deactivate the deodoriser feature. When the deodoriser feature is active, the LED on the respective key is illuminated. When the feature is active, the deodoriser module will be operated periodically.

## 8. Quick Freezing Key

When the quick freezing key is pressed, the LED on the key is illuminated and the quick freezing function will be activated. Freezer compartment temperature is set to -27

Celsius. Press the key again to cancel the function. The quick freezing function will be cancelled automatically. To freeze a large amount of fresh food, press the quick freezing key before placing the food in the freezer compartment.

#### \*Handle Light Function Setting Key

Handle light function might be switched between open and closed modes by pressing the quick freezing key for 3 seconds. In the closed mode, the handle light is only activated when the appliance door is opened and it goes out after a while after the door is closed. In the open mode, the handle light is activated when the appliance door is opened, the handle light stays on dimly after a while after the door is closed. The handle light function is set to the ex-factory closed mode.

#### 9.\*Cooler Compartment Off (Vacation)

##### Function Key

Press the key for 3 seconds to activate the vacation function. Vacation mode is activated and the vacation symbol is illuminated. "--" will be displayed on the Cooler Compartment temperature indicator and the cooler compartment does not act-

ively perform cooling. You should not keep your food in the cooler compartment if you activate this function. The other compartments continue to cool according to temperatures set before. Press the key for 3 seconds again to cancel this function.

#### 10. \*Compartment Conversion Key

Pressing compartment conversion key for 3 seconds, the freezer compartment switches between cooler, off and freezer modes, respectively. If it is operated as the cooler compartment, the temperature of the compartment will be set as 4 Celsius. In the off mode, compartment temperature indicator shall display "--".

#### 11. Key for Resetting Wireless Connection Settings

To reset the wireless connection settings, press on Quick freezing and Wireless connection keys simultaneously for 3 seconds. All user information recorded previously are removed on a product where wireless connection settings are reset/restored to factory defaults.

## 8 Using The Product



Read the "Safety Instructions" section first!

### 8.1 Storing Food in the Freezer and Cooler Compartment

#### Storing food in the freezer compartment

- You can activate Quick Freezing function 4-6 hours before freezing function and perform a faster cooling.
- Bring hot meals to the room temperature before placing them in the freezer compartment.
- Foods to be frozen must be divided into portions according to a size to be consumed, and frozen in separate packages.
- It is recommended to pack the foods before placing them in the freezer.

- In order to prevent expiration of storage time, write the freezing date, time and name of the product on the package according to the storage times of different foods.
- Consume the foods you have defrosted quickly. Defrosted foods cannot be frozen again unless they are cooked. It is not safe to consume the refrozen fresh foods without cooking after they are defrosted.
- As you freeze fresh foods, do not bring them in contact with already frozen foods. Otherwise, frozen foods will be defrosted.

### Storing the foods, which are sold frozen

- Always follow the instructions of the producer in relation to the time during which you are required to store your foods. Do not exceed the time specified in these instructions!
- In order to protect the quality of the food, keep the time interval between purchasing transaction and storing as short as possible.
- Buy frozen food which are stored at  $-18^{\circ}\text{C}$  or lower temperatures.
- Avoid buying foods whose packages are covered with ice etc. This means that the product could be partially defrosted and refrozen. Temperature impacts the quality of the food.
- Do not exceed the storing time recommended by the food producer. Remove only the food as much as you need from the freezer.
- Except the cases where extreme circumstances are available in the environment, if your product (on the recommended set values table) is set to the specified set values, the food keep their freshness for a longer time both in the fresh product compartment and freezer compartment.
- If fresh food compartment is set to a lower temperature, fresh fruits and vegetables may be partially frozen.

### Recommended set values table

Freezer Compartment Setting	Fridge Compartment Setting	Remarks
$-18^{\circ}\text{C}$	$4^{\circ}\text{C}$	This is the default, recommended setting. This setting is recommended if ambient temperature is below $30^{\circ}\text{C}$ .
$-20, -22$ or $-24^{\circ}\text{C}$	$4^{\circ}\text{C}$	These settings are recommended for ambient temperatures exceeding $30^{\circ}\text{C}$ .
Quick Freeze	$4^{\circ}\text{C}$	Use when you want to freeze your food in a short time. When the process ends, the product's settings will return to previous position.
$-18^{\circ}\text{C}$ or colder	$2^{\circ}\text{C}$	Use these settings if you believe the cooler compartment is not cold enough due to ambient temperature or frequently opening the door.

### Quick freezing

1. Activate the quick freezing function 24 hours before placing your fresh foods.
2. After 24 hours after pressing the button, place your food that you want to freeze on the first shelf with higher freezing capacity.
3. The quick freezing function will be automatically deactivated after 24 hours.

### Quick freezing

1. Activate the quick freezing function 24 hours before placing your fresh foods.
2. After 24 hours after pressing the button, place your food that you want to freeze on the first shelf with higher freezing capacity.
3. The quick freezing function will be automatically deactivated after 48 hours.

### Freezer details

As per the IEC 62552 standards, the freezer must have the capacity to freeze 4,5 kg of food items at  $-18^{\circ}\text{C}$  or lower temperatures at  $25^{\circ}\text{C}$  room temperature in 24 hours for each 100 litres of freezer compartment volume.

Food products can only be preserved for extended periods at or below temperature of  $-18^{\circ}\text{C}$ .

You can keep the foods fresh for months (in freezer at or below temperatures of  $-18^{\circ}\text{C}$ ).

The food products to be frozen must not contact the already-frozen food inside to avoid partial defrosting.

Boil the vegetables and filter the water to extend the frozen storage time. Place the food in air-tight packages after filtering and place in the freezer. Bananas, tomatoes, lettuce, celery, boiled eggs, potatoes and

similar food items should not be frozen. In case these foods are frozen, only nutritional values and eating qualities will be negatively affected. A rotting that would threaten human health is not in question.

### Placing the food

**Freezer compartment shelves:** Different frozen foods like meat, fish, ice cream, vegetables etc.

**Cooler compartment shelves:** Food items inside pots, capped plate and capped cases, eggs (in closed case)

**Cooler compartment door shelves:** Small and packaged food or beverages

**Crisper:** Vegetables and fruits

**Fresh food compartment:** Delicatessen (breakfast food, meat products to be consumed in short time)

### Storing food in the cooler compartment

- Compartment temperatures rise prominently if compartment door is opened and closed frequently and kept open for a long time, this can reduce the life span of the food and cause the food to spoil.
- In order not to cause odour and taste changes, the food should be stored in the closed containers.
- Do not store too much food in your refrigerator. To achieve a better and homogeneous cooling, place the food separately in a way that cold air can wander through them.
- Provide air flow by leaving a space between the food and internal wall. If you lean the food against the rear wall, the food may freeze.
- Bring cooked hot meals to the room temperature before placing them in the refrigerator. Then, you can place the tepid meal in the lower shelves of your refrigerator. Do not place the tepid meals close to the foods which may easily spoil.
- Defrost your frozen food in the fresh food compartment. Thereby, you can cool fresh food compartment by using frozen food and save energy.

- Storing unripe tropical fruits (mango, melon varieties, papaya, banana, pineapple) in the refrigerator may speed up the ripening process. This is not recommended because it will cause shorter storage time.
  - You should store onions, garlands, gingers and other root vegetables in dark and cold room conditions, not in the refrigerator.
  - If you notice that a food has spoiled in the refrigerator, throw away that food and clean the accessories which have come into contact with it.
  - In order to cool the meals like soups and stews, which are cooked in the large pots, quickly, you can put them in the refrigerator by separating them into their own shallow containers.
  - Do not place unpackaged food close to eggs.
  - Keep the fruits and vegetables separately and store each variety together (for example; apples with apples, carrots with carrots).
  - Take green vegetables out of the plastic bag and place them in the refrigerator after wrapping them in a paper towel or drying cloth. If you wash this type of food before placing them in the refrigerator, remember to dry them.
  - You can both create a damp environment and provide an air flow by keeping fruits and vegetables, which are prone to drying, in the perforated or unsealed plastic bags.
  - Except the cases where extreme circumstances are available in the environment, if your product (on the recommended set values table) is set to the specified set values, the food keep their freshness for a longer time both in the fresh product compartment and freezer compartment.
- Store different food in different places according to their properties.**

Food	Location
Egg	Door Shelf
Dairy products (butter, cheese)	If available, zero degree (for breakfast food) compartment
Fruits, vegetables and greenery	Fruit-vegetable compartment, crisper or EverFresh+ compartment (if available)
Fresh meat, poultry, fish, sausage etc. Cooked foods	If available, zero degree (for breakfast food) compartment
Ready to serve foods, packaged products, canned foods and pickles	Top shelves or door shelf
Beverages, bottles, spices and snacks	Door Shelf

## 8.2 Replacing the Illumination Lamp

Call the Authorized Service when the Bulb/LED used for lighting in your refrigerator will be replaced.

Lamp(s) used in this appliance cannot be used for house lighting. Intended use of this lamp is to help the user place food into the refrigerator / freezer safely and comfortably.

## 8.3 Door Open Alert

The door open alert system of your refrigerator may differ depending on the model.

### Version 1;

If the door of the product remains open for a certain time (between 60 s and 120 s), an audio warning signal sounds; depending on the product model, a visual warning signal (light flash) can also be displayed. If you close the door of the device or press a button on the screen of the device, if any, the warning sound will stop.

## 9 Product Features

### 9.1 The ice storage area

#### Ice Container

Ice bucket allows you take ice easily from the refrigerator.

#### Using the ice bucket

1. Take the ice bucket out of the freezer compartment.
2. Fill the ice bucket with water.
3. Place the ice bucket into the freezer compartment. The ice will be ready after approximately two hours.

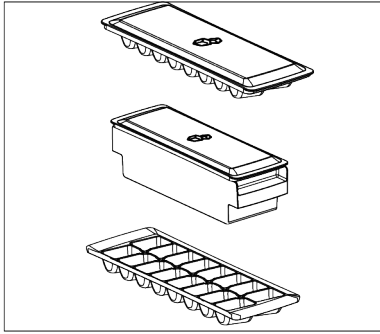
### Version 2;

If the door of the device remains open for a certain period of time (between 60 s and 120 s), the door open alert is sounded. The door open alert is sounded gradually. First, an audible warning starts to sound. After 4 minutes, if the door is still not closed, a visual warning (lighting flash) is activated. The door open alert will be delayed for a certain period of time (between 60 s and 120 s) when any key on the product screen, if any, is pressed. Then the process will start again. When the device door is closed, the door open alert will be cancelled.

## 8.4 Reversing the Door Opening Side

The door opening side of your refrigerator can be reversed according to the place you put it. When you need this, you should definitely call the nearest Authorized Service.

4. Take the ice bucket from the freezer compartment and bend in slightly over the holder that you are going to serve. Ice will easily pour into the serving holder.



## 9.2 Crisper

The refrigerator's crisper is designed to keep vegetables fresh by preserving their humidity. For this purpose, the overall cold air circulation is intensified in the crisper. Keep fruits and vegetables in this compartment. Keep the green-leaved vegetables and fruits separately to prolong their life.

### 9.3 Crisper Technologies

#### Blue Light

Fruits and vegetables stored in the crispers that are illuminated with a blue light continue their photosynthesis by means of the wavelength effect of blue light and thus preserve their vitamin content.

#### VitaminZone

Fruits and vegetables stored in crispers illuminated with the VitaminZone technology preserve their vitamins for a longer time thanks to the blue, green, red lights and dark cycles, which simulate a day cycle. When the door of your refrigerator is opened during the dark period of the VitaminZone technology, your refrigerator shall sense this automatically and illuminate the crisper with one of the blue, green or red lights respectively for your convenience. After you have closed the door of the refrigerator, the dark period will continue, representing the night time in a day cycle.

## 9.4 Dairy Products Cold Storage Area

### Cold Storage Drawer

The Cold Storage Drawer can reach lower temperatures in the cooler compartment. Use this drawer for delicatessen products (salami, sausage, etc.) and dairy products that require colder storage conditions, or for meat, chicken or fish to be consumed quickly. It is not suitable to store fruits and vegetables in this drawer.

### 9.5 AeroFresh

It is an air distribution system that provides homogeneous temperature distribution. With the air circulation, the homogeneous temperature distribution is ensured in the fresh food storage compartment, and the temperature fluctuations are kept at low levels. No direct air blowing over the food is realized and this helps to reduce moisture loss. It preserves the freshness of the food stored in the fresh food compartment of the refrigerator. In this way, your food is stored at more stable temperatures and the contact with air is reduced. The drying and shrinking of foods by losing moisture is prevented and freshness is provided for a longer time.

### 9.6 Humidity Controlled Crisper

#### Full fresh

With the humidity controlled crisper feature, the humidity of vegetables and fruits is kept under control and the food is kept fresh for a longer period of time.

We recommend that you place leafy vegetables such as lettuce, spinach and similar vegetables that are sensitive to moisture loss in the crisper, not upright on their roots, but as horizontally as possible.

When placing the vegetables, place heavy and hard vegetables at the bottom and light and soft ones on the top, taking into account the specific weights of vegetables.



Never leave vegetables in plastic bags in the crisper. Leaving them in plastic bags causes vegetables to rot in a short time. In situations where contact with other vegetables is not preferred, use packaging materials such as paper that has a certain level of porosity in terms of hygiene.

Do not put fruits that have a high ethylene gas production such as pear, apricot, peach and particularly apple in the same crisper with other vegetables and fruits. The ethylene gas coming out of these fruits might cause other vegetables and fruits to mature faster and rot in a shorter period of time.

## 10 Maintenance and Cleaning



### **WARNING:**

Read the "Safety Instructions" section first.



### **WARNING:**

Unplug the refrigerator before cleaning it.

- Do not use sharp or abrasive tools to clean the product. Do not use materials such as household cleaning agents, soap, detergents, gas, gasoline, thinner, alcohol, wax, etc.
- The dust shall be removed from the ventilation grill on the rear of the product at least once a year (without opening the cover). Clean the product with a dry cloth.
- Take care to keep water away from the lamp's cover and other electrical parts.
- Clean the door with a damp cloth. Remove all contents to remove the door and body racks. Remove the door racks by lifting them upwards. Clean and dry the shelves, then attach back in place by sliding from above.
- Do not use chlorinated water or cleaning products on the exterior surface and chrome-coated parts of the product. Chlorine will cause rust on such metallic surfaces.
- Do not use sharp and abrasive tools, soap, house cleaning materials, detergents, gas, gasoline, varnish and similar substances to prevent deformation of the plastic part and removal of prints on the part. Use warm water and a soft cloth for cleaning, and then dry it.

- On the products without a No-Frost feature, water droplets and icing up to a thickness of a finger may occur on the rear wall of the freezer compartment. Do not clean, and never apply oils or similar materials.
- Use a mildly dampened micro-fibre cloth to clean the external surface of the product. Sponges and other types of cleaning clothes may cause scratches.
- To clean all removable components during the cleaning of the interior surface of the product, wash these components with a mild solution consisting of soap, water and carbonate. Wash and dry thoroughly. Prevent contact of water with illumination components and the control panel.



### **CAUTION:**

Do not use vinegar, rubbing alcohol or other alcohol based cleaning agents on any interior surface.

### **Stainless Steel External Surfaces**

Use a non-abrasive stainless steel cleaning agent and apply it with a soft lint-free cloth. To polish, gently wipe the surface with a micro-fibre cloth dampened with water and use dry polishing chamois. Always follow the veins of the stainless steel.

### **Preventing Odours**

The product is manufactured free of any odorous materials. However, keeping the food in inappropriate sections and improper cleaning of internal surfaces may lead to odours.

- To avoid this, clean the inside with carbonated water every 15 days.
- Keep the foods in sealed holders, as micro-organisms arising from foods kept in unsealed containers will cause bad odour.

- Do not keep expired and spoilt foods in the refrigerator.

### Protecting Plastic Surfaces

Oil spilled on plastic surfaces may damage the surface and must be cleaned immediately with warm water.

## 11 Troubleshooting

Check this list before contacting the service. Doing so will save you time and money. This list includes frequent complaints that are not related to faulty workmanship or materials. Certain features mentioned herein may not apply to your product.

### The refrigerator is not working.

- The power plug is not fully settled. >>> Plug it in to settle completely into the socket.
- The fuse connected to the socket powering the product or the main fuse is blown. >>> Check the fuse.

### Condensation on the side wall of the cooler compartment (MULTI ZONE, COOL CONTROL and FLEXI ZONE).

- The door is opened too frequently. >>> Take care not to open the product's door too frequently.
- The environment is too humid. >>> Do not install the product in humid environments.
- Foods containing liquids are kept in unsealed holders. >>> Keep the foods containing liquids in sealed holders.
- The product's door is left open. >>> Do not keep the product's door open for long periods.
- The thermostat is set to a very cool temperature. >>> Set the thermostat to an appropriate temperature.

### Compressor is not working.

- In case of sudden power failure or pulling the power plug off and putting back on, the gas pressure in the product's cooling system is not balanced, which triggers the compressor thermic safeguard. The

product will restart after approximately 6 minutes. If the product does not restart after this period, contact the service.

- Defrosting is active. >>> This is normal for a fully-automatic defrosting product. The defrosting is carried out periodically.
- The product is not plugged in. >>> Make sure the power cord is plugged in.
- The temperature setting is incorrect. >>> Select the appropriate temperature setting.
- The power is out. >>> The product will continue to operate normally once the power is restored.

### The refrigerator's operating noise is increasing while in use.

- The product's operating performance may vary depending on the ambient temperature variations. This is normal and not a malfunction.

### The refrigerator runs too often or for too long.

- The new product may be larger than the previous one. Larger products will run for longer periods.
- The room temperature may be high. >>> The product will normally run for long periods in higher room temperature.
- The product may have been recently plugged in or a new food item is placed inside. >>> The product will take longer to reach the set temperature when recently plugged in or a new food item is placed inside. This is normal.
- Large quantities of hot food may have been recently placed into the product. >>> Do not place hot food into the product.

- The doors were opened frequently or kept open for long periods. >>> The warm air moving inside will cause the product to run longer. Do not open the doors too frequently.
- The freezer or cooler door may be ajar. >>> Check that the doors are fully closed.
- The product may be set to a temperature that is too low. >>> Set the temperature to a higher degree and wait for the product to reach the adjusted temperature.
- The cooler or freezer door washer may be dirty, worn out, broken or not properly settled. >>> Clean or replace the gasket. Damaged / torn door washer will cause the product to run for longer periods to preserve the current temperature.

**The freezer temperature is very low, but the cooler temperature is adequate.**

- The freezer compartment temperature is set to a very low degree. >>> Set the freezer compartment temperature to a higher degree and check again.

**The cooler temperature is very low, but the freezer temperature is adequate.**

- The cooler compartment temperature is set to a very low degree. >>> Set the cooler compartment temperature to a higher degree and check again.

**The food items kept in cooler compartment drawers are frozen.**

- The cooler compartment temperature is set to a very low degree. >>> Set the cooler compartment temperature to a higher degree and check again.

**The temperature in the cooler or the freezer is too high.**

- The cooler compartment temperature is set to a very high degree. >>> Temperature setting of the cooler compartment has an effect on the temperature in the freezer compartment. Wait until the temperature of relevant parts reach the sufficient level by changing the temperature of cooler or freezer compartments.

- The doors were opened frequently or kept open for long periods. >>> Do not open the doors too frequently.
- The door may be ajar. >>> Fully close the door.
- The product may have been recently plugged in or a new food item is placed inside. >>> This is normal. The product will take longer to reach the set temperature when recently plugged in or a new food item is placed inside.
- Large quantities of hot food may have been recently placed into the product. >>> Do not place hot food into the product.

**Shaking or noise.**

- The surface is not flat or durable >>> If the product is shaking when moved slowly, adjust the stands to balance the product. Also make sure the ground is sufficiently durable to bear the product.
- Any items placed on the product may cause noise. >>> Remove any items placed on the product.
- The product is making noise of liquid flowing, spraying etc.
- The product's operating principles involve liquid and gas flows. >>> This is normal and not a malfunction.

**There is sound of wind blowing coming from the product.**

- The product uses a fan for the cooling process. This is normal and not a malfunction.

**There is condensation on the product's internal walls.**

- Hot or humid weather will increase icing and condensation. This is normal and not a malfunction.
- The doors were opened frequently or kept open for long periods. >>> Do not open the doors too frequently; if open, close the door.
- The door may be ajar. >>> Fully close the door.

### **There is condensation on the product's exterior or between the doors.**

- The ambient weather may be humid, this is quite normal in humid weather. >>> The condensation will dissipate when the humidity is reduced.

### **The interior smells bad.**

- The product is not cleaned regularly. >>> Clean the interior regularly using sponge, warm water and carbonated water.
- Certain holders and packaging materials may cause odour. >>> Use holders and packaging materials without free of odour.
- The foods were placed in unsealed holders. >>> Keep the foods in sealed holders. Microorganisms may spread out of unsealed food items and cause bad odour.
- Remove any expired or spoilt foods from the product.

### **The door is not closing.**

- Food packages may be blocking the door. >>> Relocate any items blocking the doors.

- The product is not standing in full upright position on the ground. >>> Adjust the stands to balance the product.
- The surface is not flat or durable >>> Make sure the surface is flat and sufficiently durable to bear the product.

### **The crisper is jammed.**

- The food items may be in contact with the upper section of the drawer. >>> Reorganize the food items in the drawer.

### **Temperature on the product surface.**

- High temperature may be observed between two doors, on the side panels and on the rear grill area while your product is operated. This is normal and it does not require servicing.

### **Fan continues to operate when the door is opened.**

- Fan may continue to operate when the freezer door is open.



**WARNING:** If the problem persists after following the instructions in this section, contact your vendor or an Authorized Service. Do not try to repair the product. This is normal.

## **DISCLAIMER / WARNING**

Some (simple) failures can be adequately handled by the end-user without any safety issue or unsafe use arising, provided that they are carried out within the limits and in accordance with the following instructions (see the "Self-Repair" section).

Therefore, unless otherwise authorized in the "Self-Repair" section below, repairs shall be addressed to registered professional repairers in order to avoid safety issues. A registered Professional repairer is a professional repairer that has been granted access to the instructions and spare parts list of this product by the manufacturer according to the methods described in legislative acts pursuant to Directive 2009/125/EC.

**However, only the service agent (i.e. authorized professional repairers) that you can reach through the phone number**

**given in the user manual/warranty card or through your authorized dealer may provide service under the guarantee terms. Therefore, please be advised that repairs by professional repairers (who are not authorized by) Grundig shall void the guarantee.**

### **Self-Repair**

Self-repair can be done by the end-user with regard to the following spare parts: door handles, door hinges, trays, baskets and door gaskets (an updated list is also available support.grundig.com as of 1st March 2021).

Moreover, to ensure product safety and to prevent risk of serious injury, the mentioned self-repair shall be done following the instructions in the user manual for self-repair or which are available in sup-

port.grundig.com . For your safety, unplug the product before attempting any self-repair.

Repair and repair attempts by end-users for parts not included in such list and/or not following the instructions in the user manuals for self-repair or which are available in support.grundig.com, might give raise to safety issues not attributable to Grundig, and will void the warranty of the product. Therefore, it is highly recommended that end-users refrain from the attempt to carry out repairs falling outside the mentioned list of spare parts, contacting in such cases authorized professional repairers or registered professional repairers. On the contrary, such attempts by end-users may cause safety issues and damage the product and subsequently cause fire, flood, electrocution and serious personal injury to occur.

By way of example, but not limited to, the following repairs must be addressed to authorized professional repairers or registered professional repairers: compressor, cooling circuit, main board, inverter board, display board, etc.

The manufacturer/seller cannot be held liable in any case where end-users do not comply with the above.

The spare part availability of the refrigerator that you purchased is 10 years. During this period, original spare parts will be available to operate the refrigerator properly. The minimum duration of guarantee of the refrigerator that you purchased is 24 months.

This product is equipped with a lighting source of the "G" energy class.

The lighting source in this product shall only be replaced by Professional repairer.

## Indice

<b>1 Istruzioni di sicurezza.....</b>	<b>32</b>
1.1 Uso previsto.....	32
1.2 Sicurezza dei bambini, dei disabili e degli animali domestici.....	32
1.3 Sicurezza elettrica.....	33
1.4 Manipolazione in sicurezza.....	34
1.5 Installazione in sicurezza.....	34
1.6 Funzionamento in sicurezza.....	36
1.7 Sicurezza nella conservazione degli alimenti.....	39
1.8 Manutenzione e pulizia in sicurezza.....	39
1.9 Smaltimento del vecchio prodotto.....	40
1.10 Informazioni tecniche su Bluetooth + Wi-fi.....	40
<b>2 Istruzioni relative all'ambiente.....</b>	<b>41</b>
2.1 Conformità con la direttiva WEEE e con la normativa sullo smaltimento dei prodotti di scarico.....	41
<b>3 Il vostro frigorifero.....</b>	<b>42</b>
<b>4 Installazione.....</b>	<b>43</b>
4.1 Luogo idoneo per l'installazione...	43
4.2 Collegamenti elettrici.....	43
4.3 Fissaggio dei cunei in plastica.....	43
4.4 Regolazione delle gambe.....	44
4.5 Avvertenza: superficie calda.....	44
<b>5 Preparazione.....</b>	<b>44</b>
5.1 Cosa fare per risparmiare energia	44
5.2 Primo utilizzo.....	45
5.3 Classe climatica e definizioni.....	45
<b>6 Funzionamento del prodotto.....</b>	<b>45</b>
<b>7 Pannello di controllo del prodotto.....</b>	<b>46</b>
<b>8 Uso del prodotto.....</b>	<b>49</b>
8.1 Conservare il cibo nel congelatore e nello scomparto frigorifero....	49
8.2 Sostituzione della lampada.....	52
8.3 Avviso di sportello aperto.....	52
8.4 Inversione del lato di apertura della porta.....	52
<b>9 Caratteristiche del prodotto.....</b>	<b>52</b>

9.1 L'area di conservazione del ghiaccio.....	52
9.2 Cassetto frutta e verdura.....	53
9.3 Tecnologie del Crisper.....	53
9.4 Area di conservazione a freddo dei prodotti lattiero-caseari.....	53
9.5 AeroFresh.....	53
9.6 Crisper a umidità controllata.....	53
<b>10 Manutenzione e pulizia.....</b>	<b>54</b>
<b>11 Guida alla risoluzione dei problemi.....</b>	<b>55</b>

## Cortesemente leggi prima questo manuale!

Gentile Cliente,

**Cortesemente leggi il presente manuale prima di iniziare ad usare il prodotto.**

Ti ringraziamo per aver scelto questo prodotto Grundig. Vorremmo che il prodotto, che è stato realizzato con la tecnologia più avanzata, ti possa offrire l'efficienza ottimale. Per questo, prima di utilizzare il prodotto leggi attentamente questo manuale e qualsiasi altra documentazione fornita e conservali per riferimenti futuri.

Presta particolare attenzione alle informazioni e alle avvertenze contenute nel manuale utente. In questo modo proteggerai te stesso e il tuo prodotto da possibili pericoli.

Conserva il manuale utente. Se dovessi consegnare il prodotto a qualcun altro, non dimenticare di includere questo manuale.

**Nel manuale utente sono utilizzati i seguenti simboli:**



Pericolo che potrebbe causare morte o lesioni.



Informazioni importanti o suggerimenti utili sul funzionamento.







Leggi il manuale utente.



Materiale combustibile, pericolo di incendio.

**AVVISO** Un pericolo che potrebbe causare danni materiali al prodotto o all'ambiente circostante

	
<b>SUPPLIER'S NAME</b>	<b>MODEL IDENTIFIER</b> → (*)
	

Le informazioni sul modello memorizzate nella banca dati del prodotto possono essere ottenute entrando nel seguente sito web e cercando il proprio identificatore di modello (\*) che si trova sull'etichetta energetica.

<https://eprel.ec.europa.eu/>

## 1 Istruzioni di sicurezza

Questa sezione include le istruzioni sulla sicurezza necessarie per evitare il rischio di lesioni personali e danni materiali.

La nostra azienda non è da ritenersi responsabile per i danni causati dall'inosservanza delle presenti istruzioni.

Le operazioni di installazione e riparazione dovranno sempre essere eseguite da un servizio di assistenza autorizzato.

Servirsi unicamente di pezzi di ricambio e accessori originali.

I pezzi di ricambio originali saranno forniti per 10 anni dalla data di acquisto del prodotto.

Non riparare o sostituire alcun componente del prodotto a meno che ciò non venga chiaramente specificato nel manuale utente.

Non eseguire modifiche sul prodotto.

### 1.1 Uso previsto

Questo prodotto non è adatto all'uso commerciale e non dovrebbe essere usato per usi diversi da quelli previsti. Questo prodotto è progettato per essere usato in ambienti chiusi, in casa e in luoghi simili.

Ad esempio:

- Nelle cucine del personale di negozi, uffici e altri ambienti di lavoro,
- Nelle cascine,
- Nelle unità di alberghi, motel o altre strutture di riposo utilizzate dai clienti,
- In ostelli o ambienti simili,
- Nei servizi di catering e similari, purché in scenari non retail.

Questo prodotto non deve essere utilizzato in ambienti esterni aperti o chiusi, come navi, balconi o terrazze. L'esposizione del prodotto a pioggia, neve, luce solare e vento potrebbe causare rischi di incendio.

### 1.2 Sicurezza dei bambini, dei disabili e degli animali domestici

- Questo prodotto può essere utilizzato da bambini dagli 8 anni in su e da persone con capacità fisiche, sensoriali o mentali insufficienti o prive di esperienza e conoscenza purché supervisionati o abbiano ricevuto istruzioni sull'uso dell'apparecchio in modo sicuro e sui relativi pericoli connessi.



- I bambini tra i 3 e gli 8 anni sono autorizzati a mettere ed estrarre cibo da/nel prodotto raffreddato.
- I dispositivi elettrici sono pericolosi per i bambini e gli animali domestici. I bambini e gli animali domestici non devono giocare, salire o entrare nel prodotto.
- Gli interventi di pulizia e manutenzione non devono essere eseguiti dai bambini a meno che sotto la supervisione di una persona adulta.
- Tenere i materiali di imballaggio lontano dalla portata dei bambini. Pericolo di lesioni e soffocamento.

Prima di smaltire i vecchi prodotti che non devono più essere utilizzati:

1. Scollegare il cavo di alimentazione dalla presa di corrente.
2. Tagliare il cavo di alimentazione e rimuoverlo dall'apparecchio insieme alla spina.
3. Per evitare che i bambini entrino nell'apparecchio non rimuovere i ripiani e i cassetti dal prodotto.
4. Rimuovere le porte.
5. Conservare il prodotto in modo da non ribaltarlo.

6. Non permettere ai bambini di giocare con il prodotto anche se vecchio e non più utilizzato.

- Non smaltire il prodotto gettandolo nel fuoco. Pericolo di esplosione.
- Se la porta del prodotto dispone di serratura, tenere la chiave fuori dalla portata dei bambini.



### 1.3 Sicurezza elettrica

- Durante le operazioni di installazione, manutenzione, pulizia, riparazione e trasporto, il prodotto non deve essere collegato alla presa di corrente.
- Se il cavo di alimentazione è danneggiato, deve essere sostituito da un servizio di assistenza autorizzato, per evitare qualsiasi rischio.
- Non infilare il cavo di alimentazione sotto il prodotto o sul retro del prodotto. Non appoggiare oggetti pesanti sul cavo di alimentazione. Il cavo di alimentazione non deve essere piegato, schiacciato e non deve venire a contatto con alcuna fonte di calore.
- Non utilizzare prolunghe, multiple o adattatori per azionare il prodotto.
- Le multi prese portatili o gli alimentatori portatili possono surriscaldarsi e causare incen-

di. Pertanto, non disporre una presa multipla dietro o nelle vicinanze del prodotto.

- La spina deve essere facilmente accessibile. Se ciò non è possibile, sull'impianto elettrico deve essere disponibile un meccanismo che soddisfi la regolamentazione in materia di elettricità e che scolleghi tutti i terminali dalla rete elettrica (fusibile, interruttore, interruttore principale, ecc.).
- Non toccare la spina con le mani bagnate.
- Quando si scollega l'apparecchio, non tenere il cavo di alimentazione, ma la spina.

#### 1.4 Manipolazione in sicurezza

- Prima di trasportare il prodotto, assicurarsi di scollegare l'apparecchio.
- Il prodotto è pesante, non maneggiarlo da soli. La caduta del prodotto potrebbe provocare lesioni. Non urtare o far cadere il prodotto durante il trasporto.
- Chiudere sempre le porte e non tenere il prodotto dalle porte durante il trasporto.
- Fare attenzione a non danneggiare il sistema di raffreddamento e le tubazioni durante la manipolazione del prodotto. Non azionare il prodotto se i

tubi sono danneggiati e contattare il servizio di assistenza autorizzato.

#### 1.5 Installazione in sicurezza

- Rivolgersi al Servizio Autorizzato per l'installazione del prodotto. Per preparare il prodotto all'uso, consultare le informazioni contenute nel manuale utente e accertarsi che le utenze elettriche e idriche siano conformi a quanto necessario. In caso contrario, chiamare un elettricista qualificato e un idraulico per sistemare le utenze come necessario. Il non rispetto di tali istruzioni potrebbe aumentare il rischio di scosse elettriche, incendi, danni al prodotto o lesioni.
- Questo prodotto è progettato per l'uso in aree ad un massimo di 2000 metri sul livello del mare.
- Controllare che non vi siano danni al prodotto prima di installarlo. Non far installare il prodotto se è danneggiato.
- Utilizzare sempre i dispositivi di protezione individuale (guanti, ecc.) durante l'installazione, la manutenzione e la riparazione del prodotto. Rischio di lesioni!

- Posizionare il prodotto su una superficie pulita, piana e dura e bilanciarlo con le gambe regolabili (ruotando i piedini anteriori a destra o a sinistra). In caso contrario, il frigorifero potrebbe ribaltarsi e causare lesioni.
- Il prodotto deve essere installato in un ambiente asciutto e ventilato. Non tenere tappeti, moquette, o coperture simili sotto il prodotto. In caso contrario, la ventilazione inadeguata potrebbe determinare un rischio di incendio!
- Non bloccare o coprire i fori di ventilazione. In caso contrario, il consumo di energia aumenta e il prodotto potrebbe danneggiarsi.
- Quando si posiziona il prodotto, assicurarsi che il cavo di alimentazione non sia danneggiato o schiacciato.
- Il prodotto non deve essere collegato a sistemi di alimentazione come l'alimentazione solare. Altrimenti, il prodotto potrebbe danneggiarsi a causa di improvvisi cambiamenti di tensione!
- Più refrigerante contiene un frigorifero, più grande deve essere lo spazio necessario per la sua installazione. In locali molto piccoli, in caso di perdita di gas nel sistema di raffreddamento potrebbe verificarsi una miscela gas-aria infiammabile. Per ogni 8 grammi di refrigerante è necessario almeno 1 m<sup>3</sup> di volume. La quantità di refrigerante disponibile nel prodotto è specificata nella targhetta di identificazione.
- Il luogo di installazione del prodotto non dovrà essere esposto alla luce diretta del sole e non dovrà essere nelle vicinanze di una fonte di calore come stufe, radiatori, ecc. Se non è possibile evitare l'installazione del prodotto in prossimità di una fonte di calore, utilizzare una piastra isolante adeguata e assicurarsi che la distanza minima dalla fonte di calore sia quella specificato di seguito:
  - Almeno 30 cm di distanza da fonti di calore come stufe, forni, radiatori, riscaldatori, ecc,
  - Almeno 5 cm di distanza dai forni elettrici.
- Il prodotto ha la classe di protezione I.
- Inserire il prodotto in una presa con messa a terra conforme ai valori di tensione, corrente e frequenza specificati nella targhetta d'identificazione. La presa deve avere un fusibile da

10A - 16A. La nostra azienda non si assumerà alcuna responsabilità per gli eventuali danni dovuti ad un uso senza previa messa a terra e con collegamento elettrico non conforme alle normative locali e nazionali.

- Durante l'installazione, il cavo di alimentazione del prodotto deve essere scollegato. In caso contrario sussiste il pericolo di scosse elettriche e lesioni!
- Non collegare il cavo di alimentazione del prodotto a prese di corrente allentate, dislocate, rotte, sporche, oleose e a rischio di contatto con l'acqua. Questi tipi di collegamenti potrebbero causare surriscaldamento e incendi.
- Collocare il cavo di alimentazione e i tubi flessibili (se disponibili) del prodotto in modo che non comportino il rischio di inciampare.
- La penetrazione dell'umidità e liquidi nelle parti sotto tensione o nel cavo di alimentazione potrebbe causare un cortocircuito. Pertanto, non utilizzare il prodotto in ambienti umidi o in zone in cui l'acqua possa schizzare (ad esempio garage, lavanderia, ecc.) Se il frigorifero viene bagnato dall'acqua,

staccare la spina e contattare il servizio di assistenza autorizzato.

- Non collegare mai il frigorifero a dispositivi di risparmio energetico. Questi sistemi sono dannosi per il prodotto.
- La rimozione del coperchio della scheda elettronica e del coperchio posteriore del compressore (se presente) comporta il rischio di contatto con parti elettriche. Non rimuovere il coperchio della scheda elettronica e il coperchio posteriore del compressore (se presente). Sussiste il rischio di elettrocuzione!



## 1.6 Funzionamento in sicurezza

- Non utilizzare mai solventi chimici sul prodotto. Questi materiali comportano un rischio di esplosione.
- In caso di guasto del prodotto, scollegare la spina e non far funzionare fino a quando non viene riparato dal servizio di assistenza autorizzato. In caso contrario, vi è il rischio di scossa elettrica!
- Non collocare una fonte di fiamma (ad es. candele, sigarette, ecc.) sul prodotto o nelle sue vicinanze.

- Non salire sul prodotto. Pericolo di caduta e lesioni!
- Non danneggiare i tubi dell'impianto di raffreddamento con attrezzi affilati e perforanti. Il refrigerante spruzzato fuori in caso di foratura dei tubi del gas, prolunghe o rivestimenti superficiali potrebbe causare irritazione della pelle e lesioni agli occhi.
- Non collocare e mettere in funzione apparecchi elettrici all'interno dei frigoriferi/congelatore, a meno che non sia stato consigliato dal produttore.
- Non incastrare mani o parti del corpo nelle parti in movimento e all'interno del prodotto. Fare attenzione a non incastrare le dita tra il frigorifero e la sua porta. Prestare attenzione durante l'apertura o la chiusura della porta in presenza di bambini.
- Non mettere in bocca gelati, cubetti di ghiaccio o cibi surgelati non appena tolti dal congelatore. Pericolo di congelamento!
- Non toccare con le mani bagnate le pareti interne, le parti metalliche del congelatore o gli alimenti conservati al suo interno. Pericolo di congelamento!
- Non collocare nello scomparto congelatore lattine o bottiglie contenenti liquidi che possono congelarsi. Lattine o bottiglie possono esplodere. Pericolo di lesioni e danni materiali!
- Non utilizzare o collocare materiali sensibili alla temperatura come spray infiammabili, oggetti infiammabili, ghiaccio secco o altri agenti chimici nelle vicinanze del frigorifero. Pericolo di incendio ed esplosione!
- Non conservare materiali esplosivi come bombolette spray assieme a materiali infiammabili all'interno del prodotto.
- Non collocare lattine aperte contenenti liquidi sopra il prodotto. Gli spruzzi d'acqua su una parte elettrica potrebbero causare scosse elettriche o incendi.
- Questo prodotto non è destinato allo stoccaggio e al raffreddamento di medicinali, plasma sanguigno, preparati o materiali di laboratorio e prodotti simili, soggetti a direttive sui prodotti medici.
- Se il prodotto viene utilizzato in modo non conforme alla sua destinazione, può causare danni o deterioramento dei prodotti conservati al suo interno.

- Se il frigorifero è dotato di luce blu, non guardare questa luce con dispositivi ottici. Non guardare direttamente la luce UV LED per lungo tempo. I raggi ultravioletti possono causare affaticamento visivo.
- Non riempire il prodotto più di quanto consentito dalla sua capacità. Potrebbero verificarsi lesioni o danni se il contenuto del frigorifero cade quando lo sportello è aperto. Problemi simili potrebbero verificarsi anche quando un oggetto viene posto sopra il prodotto.
- Assicurarsi di aver rimosso il ghiaccio o l'acqua che potrebbe essere caduta a terra per evitare lesioni.
- Cambiare la posizione dei ripiani/porta bottiglie sulla porta del frigorifero solo quando i ripiani sono vuoti. Pericolo di lesioni fisiche!
- Non appoggiare oggetti che potrebbero cadere/ribaltarsi sul prodotto. Questi oggetti potrebbero cadere durante l'apertura o la chiusura della porta e causare lesioni e/o danni materiali.
- Non urtare e non esercitare una pressione eccessiva sulle superfici di vetro. La rottura del vetro potrebbe causare lesioni e/o danni materiali.
- Il sistema di raffreddamento del prodotto contiene refrigerante R600a. Il tipo di refrigerante utilizzato nel prodotto è specificato nella targhetta d'identificazione. Questo gas è infiammabile. Pertanto, fare attenzione a non danneggiare il sistema di raffreddamento e le tubazioni durante il funzionamento del prodotto. In caso di danni alle tubazioni:
  1. Non toccare il prodotto o il cavo di alimentazione.
  2. Tenere il prodotto lontano da potenziali fonti di calore che potrebbero causare il surriscaldamento e l'incendio del prodotto.
  3. Assicurare la ventilazione dell'area in cui è collocato il prodotto. Non utilizzare un ventilatore.
  4. Contattare il servizio di assistenza autorizzato.Se il prodotto è danneggiato e si osservano perdite di gas, stare lontani dal gas. Il gas potrebbe causare congelamento se entra in contatto con la pelle. Prima di smaltire i vecchi prodotti che non devono più essere utilizzati:
  1. Scollegare il cavo di alimentazione dalla presa di corrente.

2. Tagliare il cavo di alimentazione e rimuoverlo dall'apparecchio insieme alla spina.
  3. Per evitare che i bambini entrino nell'apparecchio non rimuovere i ripiani e i cassetti dal prodotto.
  4. Rimuovere le porte.
  5. Conservare il prodotto in modo da non ribaltarne.
  6. Non permettere ai bambini di giocare con il prodotto anche se vecchio e non più utilizzato.
- Non smaltire il prodotto gettandolo nel fuoco. Pericolo di esplosione.
  - Se la porta del prodotto dispone di serratura, tenere la chiave fuori dalla portata dei bambini.

### **1.7 Sicurezza nella conservazione degli alimenti**

Per evitare il deterioramento degli alimenti, si prega di prestare attenzione alle seguenti avvertenze:

- Lasciare gli sportelli aperti per molto tempo potrebbe fare aumentare la temperatura all'interno del prodotto.
- Pulire regolarmente i sistemi di drenaggio accessibili a contatto con gli alimenti.

- Pulire i serbatoi d'acqua che non sono stati usati per 48 ore e i sistemi d'acqua alimentati dalla rete che non sono stati usati per più di 5 giorni.
- Conservare i prodotti crudi di carne e pesce in scomparti appropriati all'interno del prodotto. In tal modo, non sgoccioleranno e non entreranno in contatto con altri alimenti.
- Gli scomparti del congelatore a due stelle sono utilizzati per conservare gli alimenti precotti, fare e conservare il ghiaccio e i gelati.
- Gli scomparti a una, due e tre stelle non sono appropriati per congelare alimenti freschi.
- Se il congelatore è stato lasciato vuoto per molto tempo, spegnerlo, sbrinare, pulire e asciugare il prodotto per proteggere il suo alloggiamento.

### **1.8 Manutenzione e pulizia in sicurezza**

- Non tirare la maniglia della porta se si deve spostare il prodotto per la pulizia. La maniglia potrebbe causare lesioni, se tirata troppo forte.

- Non pulire il prodotto spruzzando o versando acqua sul prodotto e al suo interno. Pericolo di scosse elettriche e incendi.
- Quando si pulisce il prodotto, non usare strumenti taglienti e abrasivi o detersivi domestici, detersivi, gas, benzina, diluente, alcol, vernice e sostanze simili. Utilizzare solo detersivi e agenti per la pulizia che non siano dannosi per gli alimenti contenuti nel prodotto.
- Non utilizzare mai detersivi a vapore o materiali per la pulizia a vapore per pulire il prodotto e scongelare il ghiaccio al suo interno. Il vapore che entra in contatto con le parti sotto tensione del frigorifero provoca cortocircuiti o scosse elettriche.
- Tenere l'acqua lontana dai circuiti elettronici o dal sistema di illuminazione del prodotto.
- Utilizzare un panno pulito e asciutto per rimuovere la polvere o un qualsiasi materiale estraneo sulle spine. Non utilizzare un panno umido o ba-

gnato per pulire la spina. In caso contrario, vi è il rischio di incendio o scossa elettrica.



### 1.9 Smaltimento del vecchio prodotto

Quando smaltisci il tuo vecchio prodotto segui le istruzioni riportate di seguito:

- Per evitare che i bambini si blocchino accidentalmente nel prodotto, nel caso in cui sia presente la serratura della porta, disattivarla.
- Gli schizzi di fluido refrigerante sono pericolosi per gli occhi. Non danneggiare alcuna parte dell'impianto di raffreddamento durante lo smaltimento del prodotto.
- Potrebbe essere fatale se l'olio del compressore venisse ingerito o se penetrasse nel tratto respiratorio.
- L'impianto di raffreddamento del prodotto include il gas R600 come specificato nell'etichetta informativa. Questo gas è infiammabile. Non smaltire il prodotto gettandolo nel fuoco. Rischio di esplosione!



### 1.10 Informazioni tecniche su Bluetooth + Wi-fi

Banda di frequenza:	2,4 GHz (funzione Wi-fi o Bluetooth)
Potenza max di trasmissione	< 100 mW (funzione Wi-fi o Bluetooth)
Dettagli del software:	Quartz_WiFi.XXX



**Dichiarazione di conformità CE:**

Arçelik A.Ş. dichiara che questo prodotto è conforme alla direttiva 2014/53/UE.

La completa dichiarazione di conformità EU è disponibile al seguente indirizzo internet: Prodotti, indirizzo:support.grundig.com

**2 Istruzioni relative all'ambiente****2.1 Conformità con la direttiva WEEE e con la normativa sullo smaltimento dei prodotti di scarico.**

Questo prodotto è conforme alla direttiva WEEE dell'UE (2012/19/EU). Questo prodotto porta un simbolo di classificazione per la strumentazione elettrica ed elettronica di scar-

to (WEEE).

Questo simbolo indica che questo prodotto alla fine della sua vita utile non deve essere smaltito con altri rifiuti domestici. Il dispositivo usato deve essere restituito al punto di raccolta ufficiale per il riciclaggio dei dispositivi elettrici ed elettronici. Per trovare questi sistemi di raccolta si prega di contattare le autorità locali o il rivenditore presso il quale è stato acquistato il prodotto. Ogni famiglia svolge un ruolo importante nel re-

“Il periodo di supporto per l'aggiornamento del software relativo alla sicurezza informatica definito del prodotto è il periodo di garanzia del prodotto. Dopo questo periodo, gli aggiornamenti software relativi alla sicurezza informatica non sono garantiti”.

cupero e nel riciclaggio di vecchie apparecchiature. Un adeguato smaltimento dell'apparecchiatura usata aiuta a prevenire potenziali conseguenze negative per l'ambiente e la salute umana.

**Conformità con la direttiva RoHS**

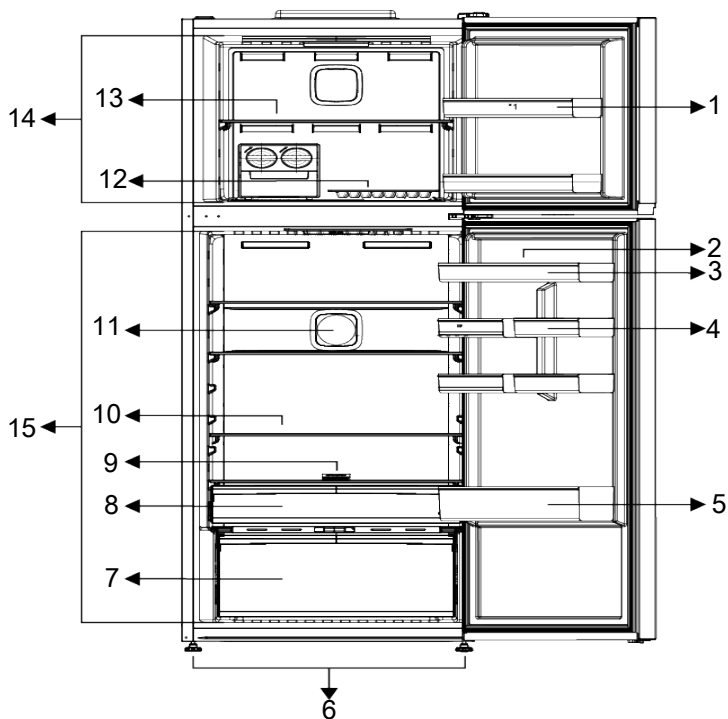
Il prodotto acquistato è conforme con la Direttiva UE RoHS (2011/65/EU). Non contiene materiali dannosi e proibiti e indicati nella Direttiva.

**Informazioni sull'imballaggio**

I materiali che compongono l'imballaggio del prodotto sono realizzati a partire da materiali riciclabili in conformità con le nostre Normative Ambientali Nazionali. Non smaltire i materiali dell'imballaggio congiuntamente ai rifiuti domestici o ad altri rifiuti. Portarli presso i punti di raccolta imballaggi indicati dalle autorità locali.

### 3 Il vostro frigorifero

IT



1 \* Ripiani della porta dello scomparto congelatore

3 \* Ripiani della porta dello scomparto raffreddatore

5 \* Ripiano per bottiglie

7 Cassetto per frutta e verdura, separatore del cassetto e filtro etilene

9 Filtro

11 Ventola

13 Ripiano in vetro scomparto congelatore

15 Scomparto raffreddatore

2 Porta uova

4 \* Ripiani piccoli della porta dello scomparto raffreddatore

6 Gambe regolabili

8 Cassetto per i prodotti lattiero-caseari (conservazione a freddo)

10 \* Ripiani in vetro dello scomparto raffreddatore

12 Macchina del ghiaccio/ scatola di stoccaggio del ghiaccio

14 Scomparto congelatore

**\*Opzionale:** Le figure in questo manuale utente sono schematiche, e potrebbero non corrispondere esattamente al prodotto.

Qualora il prodotto non contenga le parti descritte, l'informazione riguarda altri modelli.

## 4 Installazione



Leggere prima la sezione "Istruzioni di sicurezza"!

### 4.1 Luogo idoneo per l'installazione

Rivolgersi al Servizio Autorizzato per l'installazione del prodotto. Per preparare il prodotto all'installazione, consultare le informazioni contenute nel manuale utente e accertarsi che le utenze elettriche e idriche siano conformi a quanto necessario. In caso contrario, chiamare un elettricista e un idraulico per sistemare le utenze come necessario.



#### AVVERTENZA:

Il produttore non si assume alcuna responsabilità per gli eventuali danni causati dagli interventi eseguiti da personale non autorizzato.



#### AVVERTENZA:

Durante l'installazione, il cavo di alimentazione del prodotto deve essere scollegato. Il mancato rispetto di queste istruzioni potrebbe provocare morte o altre gravi lesioni!



#### AVVERTENZA:

Qualora la porta fosse troppo stretta per consentire il passaggio del prodotto, togliere la porta e ruotarla; qualora ciò non funzioni, contattare il servizio autorizzato.

- Per evitare vibrazioni, posizionare il prodotto su una superficie piana.
- Collocare il prodotto ad almeno a 30 cm dal termosifone, dalla stufa e da altre fonti di calore e ad almeno 5 cm da eventuali forni elettrici.
- Non esporre il prodotto alla luce solare diretta e non tenerlo in ambienti umidi.
- Il prodotto necessita di adeguata ventilazione per un funzionamento efficiente. Se in prodotto viene collocato in una al-

cova, lasciare almeno 5 cm di spazio tra il prodotto, il soffitto, i muri laterali e il muro retrostante.

- Controllare se il componente di protezione della parete posteriore è presente e nel suo alloggiamento (se fornito con il prodotto).
- Se il componente non è disponibile, o se è stato smarrito o è caduto, posizionare il prodotto in modo tale da lasciare almeno 5 cm di spazio libero tra il retro del prodotto e le pareti del locale. Lo spazio libero nella parte posteriore è importante per il funzionamento efficiente del prodotto.

### 4.2 Collegamenti elettrici



Non usare prolunghes o multi prese per il collegamento elettrico.



I cavi di alimentazione danneggiati vanno sostituiti dal servizio autorizzato.



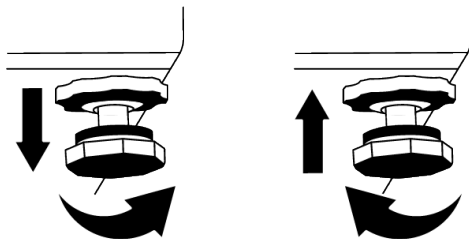
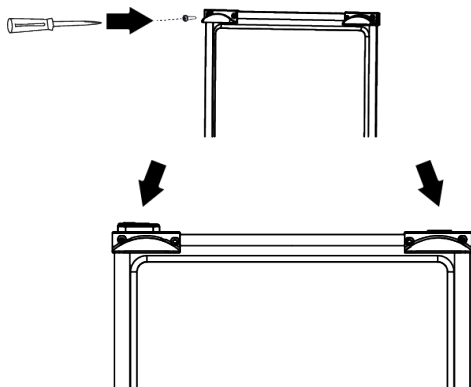
Quando vengono posizionati due frigoriferi l'uno a fianco dell'altro, lasciare una distanza di almeno 4 cm fra le due unità.

- La nostra azienda non si assume alcuna responsabilità per gli eventuali danni dovuti a un uso senza messa a terra e collegamento elettrico non conforme alle normative nazionali.
- Il cavo di corrente deve essere facilmente accessibile dopo l'installazione.
- Non utilizzare la spina multigruppo con o senza prolunga tra la presa a muro e il frigorifero.

### 4.3 Fissaggio dei cunei in plastica

Per garantire una circolazione d'aria sufficiente fra il prodotto e la parete, servirsi dei cunei in plastica forniti in dotazione con il prodotto.

1. Per fissare i cunei, rimuovere le viti sul prodotto e usare le viti fornite in dotazione con i cunei.
2. Fissare 2 cunei in plastica sul coperchio della ventilazione, come indicato nella figura.



#### 4.5 Avvertenza: superficie calda

Le pareti laterali del prodotto sono dotate di tubi di raffreddamento per migliorare il sistema generale di raffreddamento. L'elevata pressione del fluido potrebbe fluire attraverso queste superfici, causando il riscaldamento eccessivo delle superfici sulle pareti laterali. Ciò è normale e non richiede interventi di manutenzione. Fare attenzione quando si toccano queste aree.

#### 4.4 Regolazione delle gambe

Qualora il prodotto non fosse in equilibrio, regolare le gambe anteriori regolabili, ruotandole verso destra o verso sinistra.

### 5 Preparazione



Leggere prima la sezione "Istruzioni di sicurezza"!

#### 5.1 Cosa fare per risparmiare energia



Collegare il prodotto a sistemi di risparmio energetico elettronici potrebbe danneggiare il prodotto.

- Questo apparecchio refrigerante non è destinato ad essere utilizzato come apparecchio da incasso.
- Non tenere aperte a lungo le porte del frigorifero.
- Non mettere alimenti caldi o bevande direttamente dentro al frigorifero.
- Non riempire eccessivamente il frigorifero; il blocco del flusso d'aria interno ne ridurrà la capacità di raffreddamento.
- L'aria calda e umida, non penetrando direttamente nel prodotto quando le porte non sono aperte, permetterà al prodotto di ottimizzare la funzione di protezione degli alimenti. In queste circostanze, funzioni e componenti come il compressore, la ventola, il riscaldatore, lo sbrinatorio, l'illuminazione, il display e così via funzioneranno in base alle esigenze di consumo minimo di energia.
- Nel caso in cui siano presenti più opzioni, i ripiani in vetro devono essere posizionati in modo da non bloccare le uscite d'aria sulla parete posteriore e, preferibilmente, in modo che le uscite d'aria rimangano al di sotto del ripiano in vetro. Questa combinazione potrebbe aiutare a migliorare la distribuzione dell'aria e l'efficienza energetica.

- Per la conservazione, si raccomanda vivamente di utilizzare il cassetto sottostante.
- Per garantire il risparmio energetico e tenere sempre gli alimenti nelle condizioni migliori, gli alimenti devono essere conservati utilizzando i cassetti dello scomparto raffreddatore.

## 5.2 Primo utilizzo

Prima di iniziare a usare il frigorifero, accertarsi che tutti i preparativi necessari vengano eseguiti in conformità con le istruzioni contenute nelle sezioni "Istruzioni di sicurezza e relative all'ambiente" e "Installazione".

- Tenere il prodotto in funzione senza alimenti al suo interno per 6 ore e non aprire la porta a meno che ciò non sia assolutamente necessario.
- La variazione di temperatura causata dall'apertura e dalla chiusura della porta durante l'uso del prodotto potrebbe portare a normale formazione di condensa sul cibo posto sui ripiani della porta/del vano frigo e sui contenitori di vetro posti nel prodotto.



Si sentirà un suono quando viene attivato il compressore. È normale che il prodotto faccia rumore anche se il compressore non è in funzione, poiché il fluido e il gas potrebbero essere compressi nel sistema di raffreddamento.



È normale che le estremità anteriori del frigorifero siano calde. Queste aree sono state progettate per riscaldarsi per evitare la condensa.



Per alcuni modelli, il pannello indicatore si spegne automaticamente 1 minuto dopo la chiusura della porta. Si riattiva quando la porta è aperta o si preme un qualsiasi pulsante.

## 5.3 Classe climatica e definizioni

Si prega di fare riferimento alla classe climatica indicata sulla targhetta del dispositivo. Una delle seguenti informazioni è applicabile al proprio dispositivo secondo la classe climatica.

- **SN:** Clima temperato a lungo termine: Questo dispositivo di raffreddamento è progettato per l'uso a temperature ambiente tra 10 °C e 32 °C.
- **N:** Clima temperato: Questo dispositivo di raffreddamento è progettato per l'uso a temperature ambiente tra 16°C e 32 °C.
- **ST:** Clima subtropicale: Questo dispositivo di raffreddamento è progettato per l'uso a temperature ambiente tra 16°C e 38°C.
- **T:** Clima tropicale: Questo dispositivo di raffreddamento è progettato per l'uso a temperature ambiente tra 16°C e 43°C.

## 6 Funzionamento del prodotto



Leggere prima la sezione "Istruzioni di sicurezza"!

- Per accelerare le operazioni di scongelamento, non utilizzare attrezzi meccanici o altri utensili diversi da quelli raccomandati dal produttore.
- Non utilizzare mai parti del frigorifero, come la porta o i cassetti, come supporto o come gradini. Ciò potrebbe causare il ribaltamento del prodotto o il danneggiamento dei suoi componenti.

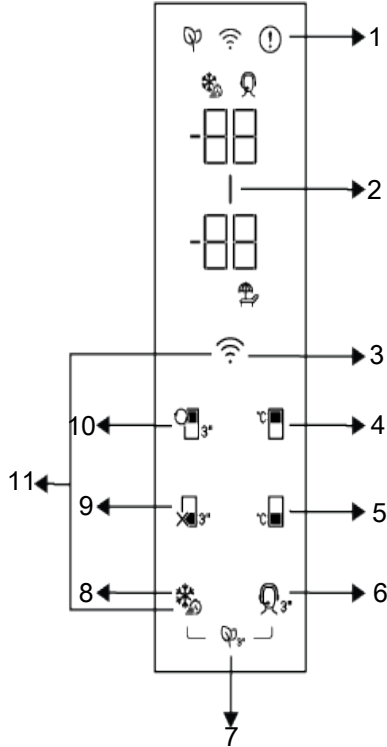
- Il prodotto dovrebbe essere usato unicamente per la conservazione di alimenti.
- Spegnerne la valvola dell'acqua se si è lontani da casa (ad esempio in vacanza) e si prevede di non utilizzare la macchinetta per il ghiaccio o l'erogatore d'acqua per un lungo periodo di tempo. In caso contrario, potrebbero verificarsi perdite d'acqua.

### Messa in pausa del programma

- Se non si intende usare il prodotto per un lungo periodo, scollegarlo dalla presa.
- Rimuovere gli alimenti per evitare cattivi odori.

- Aspettare che il ghiaccio si scioglia, pulire l'interno e lasciarlo asciugare, lasciare le porte aperte per evitare di danneggiare le plastiche interne del corpo dell'apparecchio.

## 7 Pannello di controllo del prodotto



- |    |   |    |   |
|----|---|----|---|
| 1  | Indicatore di stato d'errore  | 2  | Indicatore della funzione di risparmio energetico (Display Spento)                      |
| 3  | * Tasto wireless  | 4  | * Tasto di impostazione della temperatura dello scomparto congelatore                   |
| 5  | Tasto di impostazione della temperatura dello scomparto frigorifero   | 6  | *Tasto per il servizio assistenza   |
| 7  | *Tasto del modulo deodorante  | 8  | * Tasto di congelamento rapido/Tasto di impostazione della funzione luce della maniglia |
| 9  | *Tasto funzione off dello scomparto raffreddatore (funzione vacanza)  | 10 | * Tasto di conversione dello scomparto  |
| 11 | Tasto per il ripristino delle impostazioni della connessione wireless |    |   |



Leggere prima la sezione "Istruzioni di sicurezza".

\*Opzionale: Le funzioni mostrate sono opzionali, ci potrebbero essere differenze di forma e posizione nelle funzioni che si trovano sul pannello indicatore dell'elettrodomestico.

Le funzioni audio e video sul pannello indicatore assisteranno l'utente nell'utilizzo del frigorifero.

### 1. Indicatore di condizione di errore

Questo indicatore sarà attivo quando il frigorifero non è in grado di eseguire un raffreddamento adeguato o in caso di errore del sensore. La lettera "E" sarà visualizzata sull'indicatore della temperatura dello scomparto congelatore e cifre come 1,2,3... saranno visualizzate sull'indicatore della temperatura dello scomparto raffreddatore. Queste cifre forniscono informazioni al servizio autorizzato sull'errore verificatosi.

Quando si caricano alimenti caldi nello scomparto freezer o si tiene aperto lo sportello per un lungo periodo di tempo potrebbe visualizzarsi per un po' un punto esclamativo. Non si tratta di un guasto, questa avvertenza sarà rimossa quando il cibo viene raffreddato o quando viene premuto un tasto qualsiasi.

### 2. Indicatore della funzione di risparmio energetico (display off)

Quando la porta del prodotto non viene aperta o chiusa per un certo periodo di tempo, la funzione di risparmio energetico viene attivata automaticamente e il simbolo del risparmio energetico si illumina. Quando la funzione di risparmio energetico è attiva, tutti i simboli sullo schermo, ad eccezione del simbolo del risparmio energetico, dovranno essere spenti. Quando la funzione di risparmio energetico è attiva, se si preme un tasto qualsiasi o si apre lo sportello, la funzione di risparmio energetico del frigorifero verrà disattivata e i simboli sullo schermo torneranno normali. La funzione

di risparmio energetico è una funzione attiva per impostazione predefinita e non può essere annullata.

### 3. \*Tasto wireless

Quando si preme il tasto per un lungo periodo (3 secondi), sul display/schermo il simbolo di connessione wireless lampeggia lentamente (ad intervalli di 0,5 secondi). A questo punto sul prodotto viene visualizzata la rete domestica.

Dopo aver raggiunto la connessione wireless con il prodotto, il simbolo di connessione wireless si illumina continuamente (fisso).

Una volta stabilita la connessione iniziale, è possibile attivare/disattivare la connessione con una breve pressione di questo tasto. Il simbolo della connessione wireless lampeggerà rapidamente (a intervalli di 0,2 sec.) fino a quando non viene stabilita la connessione. Quando la connessione è attiva, il simbolo della connessione wireless si illuminerà in maniera continua (fisso).

Se la connessione non può essere stabilita per un lungo periodo di tempo, controllare le impostazioni per la connessione e consultare la sezione "Risoluzione dei problemi" del manuale utente.

Per la connessione wireless sarà utilizzata l'applicazione HomeWhiz. Le varie fasi di installazione sono descritte sull'applicazione durante l'installazione.

È possibile accedere all'applicazione leggendo il codice QR disponibile sull'etichetta HomeWhiz del prodotto. L'applicazione è offerta attraverso App Store per i dispositivi IOS e attraverso Play Store per i dispositivi Android.

Visitare l'indirizzo <https://www.homewhiz.com/> per informazioni dettagliate.

### 4. Tasto di impostazione della temperatura dello scomparto congelatore

L'impostazione della temperatura è disponibile per lo scomparto del congelatore. La pressione di questo tasto abiliterà l'impo-

stazione della temperatura dello scomparto congelatore a -18,-19,-20,-21,-22,-23,-24 gradi Celsius.

### 5. Tasto di impostazione della temperatura dello scomparto raffreddatore

Per lo scomparto raffreddatore è disponibile l'impostazione della temperatura. Con la pressione di questo tasto, la temperatura dello scomparto raffreddatore viene impostata su valori di 8,7,6,5,4,3,2 e 1 grado Celsius

### 6. \*Tasto del servizio di assistenza

Premere questo tasto per 3 secondi per attivare/disattivare il servizio assistenza. Informazioni dettagliate sul servizio di assistenza sono fornite nella sezione "Funzionalità Servizio Assistenza".

### 7. \*Tasto del modulo deodorante

Premere questo tasto per 3 secondi per attivare/disattivare la funzione deodorante. Quando la funzione deodorante è attiva, il LED sul rispettivo tasto è illuminato. Quando la funzione è attiva, il modulo deodorante sarà azionato periodicamente.

### 8. Tasto di congelamento rapido

Quando si preme il tasto di congelamento rapido, il LED sul tasto si illumina e verrà attivata la funzione di congelamento rapido. La temperatura dello scomparto congelatore è impostata a -27 gradi Celsius. Per annullare la funzione premere nuovamente sul tasto. La funzione di congelamento rapido sarà automaticamente annullata. Per congelare grandi quantitativi di alimenti freschi, premere il tasto di congelamento rapido prima di collocare gli alimenti all'interno dello scomparto congelatore.

### Tasto di impostazione della funzione luce della maniglia

La funzione della luce della maniglia potrebbe essere commutata tra le modalità aperta e chiusa premendo il tasto di congelamento rapido per 3 secondi. In modalità chiusa, la luce della maniglia si attiva solo quando la porta dell'apparecchio viene

aperta e si spegne un po' di tempo dopo la chiusura della porta. In modalità aperta, la luce della maniglia si attiva quando la porta dell'apparecchio viene aperta, la luce della maniglia rimane debolmente accesa un po' di tempo dopo la chiusura della porta. La modalità chiusa è l'impostazione predefinita in fabbrica della funzione luce della maniglia.

### 9\* Tasto funzione dello scomparto raffreddatore OFF (Vacanza)

Per attivare la funzione vacanza premere il tasto per 3 secondi. La modalità vacanza si attiva e l'icona del simbolo vacanza si illumina. Sull'indicatore della temperatura dello scomparto raffreddatore sarà visualizzato "- -" e quindi non eseguirà il raffreddamento. Se viene attivata questa funzione, non si devono tenere gli alimenti nello scomparto raffreddatore. Gli altri scomparti continuano a raffreddare secondo le temperature impostate in precedenza. Per annullare questa funzione, premere di nuovo il tasto per 3 secondi.

### 10. \*Tasto di conversione dello scomparto

Premendo il tasto di conversione dello scomparto per 3 secondi, lo scomparto congelatore cambia modalità fra frigorifero, off e congelatore. Se funziona come scomparto frigorifero, la temperatura sarà impostata su 4 °C. In caso di modalità off (spento), l'indicatore della temperatura dello scomparto dovrà visualizzare "- -".

### 11. \*Tasto per il ripristino delle impostazioni della connessione wireless



Per ripristinare le impostazioni della connessione wireless, premere contemporaneamente i tasti Congelamento rapido e connessione wireless per 3 secondi. Tutte le informazioni dell'utente registrate in precedenza vengono annullate e le impostazioni della connessione wireless vengono ripristinate/resettate ai valori predefiniti di fabbrica.





Leggere prima la sezione "Istruzioni di sicurezza"!

### 8.1 Conservare il cibo nel congelatore e nello scomparto frigorifero

#### Conservare il cibo nello scomparto congelatore (freezer)

- È possibile attivare la funzione di congelamento rapido 4-6 ore prima della funzione di congelamento ed eseguire così un raffreddamento più rapido.
- Prima di metterli nello scomparto congelatore, portare i pasti caldi a temperatura ambiente.
- Gli alimenti da congelare vanno suddivisi in porzioni a seconda della dimensione da consumare e vanno congelati in pacchetti separati.
- Consigliamo di confezionare gli alimenti prima di riporli all'interno del congelatore.
- Al fine di evitarne la scadenza, annotare la data, l'ora di congelamento e il nome dell'alimento sulla confezione, in base ai periodi di conservazione dei diversi prodotti alimentari.
- Consumare rapidamente gli alimenti che sono stati scongelati. Gli alimenti scongelati non possono essere ricongelati, a meno che siano cotti. Non è sicuro consumare i cibi freschi ricongelati senza cottura dopo che sono stati scongelati.
- Quando vengono congelati alimenti freschi, evitare che gli stessi entrino in contatto con alimenti già congelati. Altrimenti, i cibi congelati si scongeleranno.

#### Conservare gli alimenti che sono venduti congelati

- Seguire sempre le istruzioni del produttore in relazione al tempo di conservazione degli alimenti. Non superare il tempo specificato in queste istruzioni!
- Per proteggere la qualità degli alimenti, mantenere l'intervallo di tempo tra l'acquisto e la conservazione il più breve possibile.
- Acquistare gli alimenti congelati che sono conservati a  $-18^{\circ}\text{C}$  o a temperature inferiori.
- Evitare di acquistare alimenti le cui confezioni sono coperte di ghiaccio ecc. Questo significa che il prodotto potrebbe essere stato parzialmente scongelato e ricongelato. La temperatura influisce sulla qualità degli alimenti.
- Non superare il tempo di conservazione raccomandato dal produttore dell'alimento. Togliere dal congelatore solo il cibo di cui si ha bisogno.
- Tranne i casi in cui vi siano delle circostanze ambientali estreme, se il prodotto (sulla tabella dei valori nominali raccomandati) è impostato sui valori nominali specificati, gli alimenti manterranno la loro freschezza più a lungo sia nello scomparto prodotti freschi che nello scomparto congelatore.
- Se lo scomparto degli alimenti freschi è impostato su una temperatura più bassa, la frutta e la verdura fresche potrebbero subire il parziale congelamento.

## Tabella dei valori di impostazione consigliati

Impostazione dello scomparto congelatore	Impostazione dello scomparto frigorifero	Consigli
-18 <sup>0</sup>	4°C	Questa è l'impostazione predefinita consigliata. Questa impostazione è raccomandata se la temperatura ambiente è inferiore a 30°C.
-20, -22 o -24 °C	4°C	Queste impostazioni sono consigliate quando la temperatura ambiente supera i 30°C.
Congelamento rapido	4°C	Usare quando si desidera congelare alimenti in modo rapido. Al termine del processo, le impostazioni del prodotto torneranno a quelle precedenti.
-18°C o inferiore	2°C	Usare queste impostazioni se si ritiene che lo scomparto del congelatore non sia sufficientemente freddo, a causa della temperatura ambiente, o a causa delle frequenti aperture della porta.

### Congelamento rapido

1. Attivare la funzione di congelamento rapido 24 ore prima di inserire gli alimenti freschi.
2. 24 ore dopo aver premuto il pulsante, mettere gli alimenti che si desidera congelare sul ripiano superiore, che ha una capacità di congelamento superiore
3. La funzione di congelamento rapido verrà automaticamente disattivata dopo 24 ore.

### Congelamento rapido

1. Attivare la funzione di congelamento rapido 24 ore prima di inserire gli alimenti freschi.
2. 24 ore dopo aver premuto il pulsante, mettere gli alimenti che si desidera congelare sul ripiano superiore, che ha una capacità di congelamento superiore
3. La funzione di congelamento rapido verrà automaticamente disattivata dopo 48 ore.

### Dettagli per il congelatore

Conformemente agli standard IEC 62552, il congelatore deve avere la capacità di congelare 4,5 kg di alimenti a -18°C o a temperature inferiori a 25°C in 24 ore per ogni 100 litri di volume dello scomparto congelatore. Gli alimenti possono essere conservati solo per lunghi periodi di tempo a temperature uguali o inferiori a -18°.

Sarà possibile conservare gli alimenti freschi per mesi (all'interno del congelatore a temperature uguali o inferiori a -18°).

Per evitare uno scongelamento parziale, gli alimenti da congelare non devono entrare in contatto con gli altri alimenti già congelati all'interno del congelatore.

Bollire le verdure e filtrare l'acqua per estendere il tempo di conservazione del congelato. Collocare gli alimenti in sacchetti ermetici, dopo aver eseguito il filtraggio e il posizionamento all'interno del congelatore. Banane, pomodori, lattuga, sedano, uova bollite, patate e altri alimenti simili non dovrebbero essere congelati. Nel caso in cui questi alimenti si congelino, solo i valori nutrizionali e le qualità alimentari ne risentiranno negativamente. Non si tratta di una minaccia per la salute umana.

### Posizionamento degli alimenti

**Ripiani dello scomparto congelatore:** diversi alimenti congelati come carne, pesce, gelato, verdure ecc.

**Ripiani dello scomparto refrigerante:** alimenti all'interno di vasi, piatti e contenitori chiusi, uova (in contenitori chiusi)

**Ripiani dello sportello dello scomparto refrigerante:** alimenti o bevande di piccole dimensioni e confezionati

**Crisper:** Verdure e frutta

**Scomparto alimenti freschi:** Delicatessen (alimenti per la prima colazione, prodotti a base di carne da consumare in poco tempo)

## Conservare il cibo nello scomparto frigorifero

- Le temperature dello scomparto aumentano notevolmente se la porta dello scomparto viene aperta e chiusa frequentemente e tenuta aperta per molto tempo; questo può ridurre la durata degli alimenti e causare il loro precoce deterioramento.
- Per non causare cambiamenti di odore e sapore, gli alimenti dovrebbero essere conservati in contenitori chiusi.
- Non conservare troppi alimenti nel frigorifero. Per ottenere un raffreddamento migliore e omogeneo, disporre gli alimenti separatamente in modo che l'aria fredda possa attraversarli.
- Garantire il flusso d'aria lasciando uno spazio tra gli alimenti e la parete interna. Se gli alimenti vengono appoggiati sulla parete posteriore potrebbero congelarsi.
- Portare i pasti caldi cotti a temperatura ambiente prima di metterli in frigorifero. Quindi, mettere il pasto tiepido nei ripiani inferiori del frigorifero. Non mettere i pasti tiepidi vicino agli alimenti che potrebbero facilmente deperirsi.
- Scongelare gli alimenti congelati nello scomparto degli alimenti freschi. In questo modo, è possibile raffreddare lo scomparto degli alimenti freschi utilizzando gli alimenti congelati così da risparmiare energia.
- Conservare la frutta tropicale acerba (mango, varietà di melone, papaya, banana, ananas) nel frigorifero potrebbe accelerare il processo di maturazione. Questo non è consigliabile, perché causa una riduzione dei tempi di conservazione.
- Cipolle, aglio, zenzero e altri ortaggi a radice dovrebbero essere conservati in condizioni di buio e freddo, non in frigorifero.
- Se si nota che un alimento si è deperito nel frigorifero, buttare via quell'alimento e pulire gli accessori che sono entrati in contatto con esso.
- Per raffreddare rapidamente zuppe e stufati, che sono cucinati in grandi pentole, è possibile metterli in frigorifero distribuendoli in contenitori poco profondi
- Non mettere gli alimenti non confezionati vicino alle uova.
- Conservare la frutta e la verdura separatamente e raggruppandola secondo la varietà (per esempio: mele con mele, carote con carote).
- Togliere le verdure verdi dal sacchetto di plastica e metterle in frigorifero dopo averle avvolte in un tovagliolo di carta o in un panno asciutto. Se prima di metterli in frigorifero questi alimenti sono stati lavati, ricordarsi di asciugarli.
- Per creare un ambiente umido e fornire un flusso d'aria a frutta e verdura, che sono inclini a seccarsi, conservarle nei sacchetti di plastica perforati o non sigillati.
- Tranne i casi in cui vi siano delle circostanze ambientali estreme, se il prodotto (sulla tabella dei valori nominali raccomandati) è impostato sui valori nominali specificati, gli alimenti manterranno la loro freschezza più a lungo sia nello scomparto prodotti freschi che nello scomparto congelatore.

## Conservare alimenti diversi in luoghi diversi a seconda delle loro caratteristiche.

Alimenti	Ubicazione
Uova	Ripiano porta
Prodotti caseari (burro, formaggio)	Se disponibile, scomparto a zero gradi (per il cibo della colazione)
Frutta, vegetali e verdura a foglia verde	Scomparto per frutta e verdura, crisper o Scomparto EverFresh+ (se disponibile)

Alimenti	Ubicazione
Carne fresca, pollame, pesce, salsicce, ecc. Cibi cotti	Se disponibile, scomparto a zero gradi (per il cibo della colazione)
Cibi pronti da servire, prodotti confezionati, cibi in scatola e sottaceti	Ripiani superiori o ripiano della porta
Bevande, bottiglie, spezie e snack	Ripiano porta

## 8.2 Sostituzione della lampada

Quando la lampadina/LED usata per l'illuminazione del frigorifero deve essere sostituita, chiamare il servizio assistenza autorizzato.

La lampada o le lampade utilizzate in questa apparecchiatura non possono essere utilizzate per l'illuminazione della casa.

L'uso previsto di questa lampada è quello di aiutare l'utente a mettere il cibo nel frigorifero/congelatore in modo sicuro e confortevole.

## 8.3 Avviso di sportello aperto

Il sistema di avviso di sportello aperto del frigorifero può differire a seconda del modello.

### Versione 1;

Se lo sportello del prodotto rimane aperto per un determinato periodo di tempo (tra 60 e 120 secondi), viene emesso un segnale acustico di avviso; a seconda del modello di prodotto, può essere visualizzato anche un segnale di avvertimento visivo (luce lampeggiante). Se si chiude lo sportello del

dispositivo o se si preme un pulsante sullo schermo del dispositivo, se presente, l'avviso sonoro si arresterà.

### Versione 2;

Se lo sportello del dispositivo resta aperto per un determinato periodo di tempo (tra 60 e 120 secondi) viene emesso l'avviso porta aperta. L'avviso di porta aperta viene emesso gradualmente. Prima un avviso udibile inizia a suonare. Dopo 4 minuti, se lo sportello non è ancora stato chiuso, si attiva un avviso visivo (luce lampeggiante). L'avviso di sportello aperto verrà ritardato per un certo periodo di tempo (tra 60 s e 120 s) quando si preme un qualsiasi tasto sullo schermo del prodotto, se presente. Quindi il processo ricomincerà. Quando lo sportello del dispositivo è chiuso, l'avviso di sportello aperto verrà annullato.

## 8.4 Inversione del lato di apertura della porta

Il lato di apertura della porta del frigorifero può essere invertito secondo il posto in cui lo si sistema. Nel caso sia necessario invertire il lato di apertura della porta, chiamare il servizio assistenza autorizzato più vicino.

# 9 Caratteristiche del prodotto

## 9.1 L'area di conservazione del ghiaccio

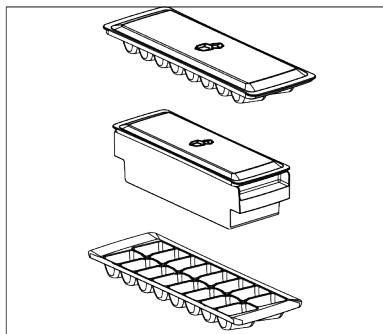
### Contenitore del ghiaccio

La vaschetta del ghiaccio permette di prendere il ghiaccio facilmente dal frigorifero.

### Utilizzo della vaschetta del ghiaccio

1. Estrarre il secchiello del ghiaccio dallo scomparto congelatore.
2. Riempire con acqua la vaschetta del ghiaccio.

3. Posizionare la vaschetta del ghiaccio nello scomparto congelatore. Il ghiaccio sarà pronto all'incirca dopo due ore.
4. Prendere la vaschetta del ghiaccio dallo scomparto congelatore e piegare leggermente sopra il contenitore che si utilizzerà. Il ghiaccio si verserà facilmente.



## 9.2 Cassetto frutta e verdura

Il cassetto frutta e verdura del frigorifero è stato pensato per tenere fresche le verdure preservando al tempo stesso il loro grado di umidità. A tal fine, all'interno del cassetto, la circolazione complessiva dell'aria fredda è più intensa. Consigliamo di tenere frutta e verdura all'interno di questo scomparto. Tenere le verdure con foglie verdi e i frutti in luoghi separati, al fine di prolungarne la durata.

## 9.3 Tecnologie del Crisper

### Luce blu

Frutta e verdura conservate nei cassetti illuminati con luce blu continuano la loro fotosintesi grazie all'effetto della lunghezza d'onda della luce blu e conservano così il loro contenuto di vitamine.

### VitaminZone

Frutta e verdura conservate in cassetti illuminati con la tecnologia VitaminZone conservano le loro vitamine più a lungo grazie alle luci blu, verdi, rosse e ai cicli di buio che simulano un ciclo diurno.

Quando la porta del frigorifero viene aperta durante il periodo di buio della tecnologia VitaminZone, il frigorifero lo percepirà automaticamente e illuminerà il cassetto (crisper) con una delle luci blu, verdi o rosse a seconda della situazione. Dopo aver chiuso lo sportello del frigorifero, il periodo di buio continuerà, come fosse il periodo notturno in un ciclo diurno.

## 9.4 Area di conservazione a freddo dei prodotti lattiero-caseari

### Cassetto per la conservazione a freddo

Nello scomparto frigorifero, il cassetto per la conservazione a freddo può raggiungere temperature più basse. Utilizzare questo cassetto per prodotti di rosticceria (salumi, salsicce, ecc.) e latticini che richiedono condizioni di conservazione più fredde, o per carne, pollo o pesce da consumare rapidamente. Non conservare frutta e verdura in questo cassetto.

## 9.5 AeroFresh

È un sistema di distribuzione dell'aria che fornisce una distribuzione omogenea della temperatura. La circolazione dell'aria assicura la distribuzione omogenea della temperatura nello scomparto di conservazione degli alimenti freschi, e le fluttuazioni di temperatura sono mantenute a livelli bassi. Non si verifica nessun soffio d'aria diretto sugli alimenti e questo aiuta a ridurre la perdita di umidità. Permette di mantenere la freschezza degli alimenti conservati nello scomparto degli alimenti freschi del frigorifero. In questo modo, gli alimenti sono conservati a temperature più stabili e il contatto con l'aria è ridotto. L'essiccazione e il restringimento degli alimenti a causa della perdita di umidità sono evitati per una maggiore e duratura freschezza.

## 9.6 Crisper a umidità controllata

### Full fresh

Con la funzione crispser a umidità controllata, l'umidità delle verdure e della frutta è tenuta sotto controllo e il cibo è mantenuto fresco per un periodo di tempo più lungo. Raccomandiamo di mettere le verdure a foglia come la lattuga, gli spinaci e altre verdure simili che sono sensibili alla perdita di umidità nel crispser, non in verticale sulle loro radici, ma il più orizzontalmente possibile.

Quando si posizionano le verdure, sistemare quelle pesanti e dure in basso e quelle leggere e morbide in alto, tenendo conto del loro peso specifico.

Non lasciare mai le verdure in sacchetti di plastica nel crisper. Lasciare quel tipo di alimenti in sacchetti di plastica farà marcire le verdure in breve tempo.

In situazioni in cui è preferibile non mettere in contatto diversi tipi di verdure, utilizzare materiali da imballaggio come la carta che abbia un certo grado di porosità in termini di igiene.

## 10 Manutenzione e pulizia



### ATTENZIONE:

Leggere prima la sezione "Istruzioni di sicurezza".



### ATTENZIONE:

Scollegare il frigorifero prima di pulirlo.

- Non utilizzare utensili affilati o abrasivi per pulire il prodotto. Non usare materiali come detersivi domestici, sapone, detersivi, gas, benzina, diluenti, alcool, cera, ecc.
- La polvere deve essere rimossa dalla griglia di ventilazione sul retro del prodotto almeno una volta all'anno (senza aprire il coperchio). Pulire il prodotto servendosi di un panno asciutto.
- Fare attenzione a tenere l'acqua lontana dalla copertura delle lampade e dalle altre componenti elettriche.
- Pulire la porta servendosi di un panno umido. Per rimuovere la porta e i vari ripiani, rimuovere prima tutto il contenuto. Rimuovere i ripiani della porta sollevandoli verso l'alto. Pulire e asciugare i ripiani, poi fissare nuovamente in posizione facendo scorrere da sopra.
- Non usare acqua con cloro o prodotti detersivi sulla superficie esterna e sulle componenti rivestite in cromo. Il cloro provoca ruggine su queste superfici metalliche.

Non mettere la frutta che ha un'alta produzione di gas etilene come la pera, l'albicocca, la pesca e in particolare la mela nello stesso cassetto con altre verdure e frutti. Il gas etilene che fuoriesce da questi frutti potrebbe far maturare più velocemente altri ortaggi e frutti e farli marcire in un periodo di tempo più breve.

- Per evitare la deformazione della parte in plastica e rimuovere le impronte, non utilizzare utensili affilati e abrasivi, sapone, materiali per la pulizia della casa, detersivi, gas, benzina, vernice e sostanze simili. Per pulire, usare acqua tiepida e un panno morbido, quindi asciugare.
- Sui prodotti senza la funzione No-Frost, sulla parete posteriore dello scomparto congelatore potrebbero formarsi goccioline d'acqua e ghiaccio fino allo spessore di un dito. Non pulirla; non applicare mai olio o sostanze simili.
- Per pulire la superficie esterna del prodotto utilizzare un panno in micro-fibra leggermente inumidito. Spugne e altri tipi di panni per la pulizia potrebbero graffiare la superficie.
- Per pulire tutti i componenti rimovibili durante la pulizia della superficie interna del prodotto, lavare questi componenti con una soluzione delicata composta da sapone, acqua e carbonato. Risciacquare e asciugare completamente. Evitare il contatto dell'acqua con i componenti dell'illuminazione e con il pannello di controllo.



### ATTENZIONE:

Non utilizzare aceto, alcool o altri detersivi a base di alcool su nessuna delle superfici interne.

### Superfici esterne in acciaio inossidabile

Utilizzare un detergente non abrasivo per acciaio inossidabile e applicarlo con un panno morbido privo di pelucchi. Per lucidare, strofinare delicatamente la superficie con un panno in micro-fibra inumidito con acqua e utilizzare una pelle di camoscio per lucidare a secco. Seguire sempre le venature in acciaio inossidabile.

### Prevenzione dei cattivi odori

Il prodotto è stato realizzato con materiali che non emettono cattivi odori. Il posizionamento degli alimenti in sezioni non adegua-

te e la pulizia delle superfici interne effettuata in modo non corretto potrebbe provocare cattivi odori.

- A tal fine consigliamo di pulire l'interno con acqua gassata ogni 15 giorni.
- Conservare gli alimenti in contenitori sigillati, poiché i microrganismi derivanti da alimenti tenuti in contenitori non sigillati causano cattivi odori.
- Non conservare alimenti scaduti e marci all'interno del frigorifero.

### Protezione delle superfici in plastica

L'olio rovesciato sulle superfici in plastica potrebbe danneggiare la superficie, e deve essere pulito immediatamente servendosi di acqua tiepida.

## 11 Guida alla risoluzione dei problemi

Controllare questo elenco prima di contattare il servizio clienti. Questa operazione vi consentirà di risparmiare soldi. Questo elenco contiene le lamentele più frequenti che non riguardano problemi a livello di manodopera o materiali. Alcune funzioni qui indicate potrebbero non essere valide per il prodotto in questione.

### Il frigorifero non funziona.

- La presa di corrente non è stata inserita correttamente. >>> Spingerla fino a inserirla completamente nella presa.
- Il fusibile collegato alla presa che alimenta il prodotto, oppure il fusibile principale, è bruciato. >>> Controllare il fusibile.

### Condensa sulla parete laterale dello scomparto raffreddatore (MULTI ZONE, COOL, CONTROL e FLEXI ZONE).

- La porta viene aperta troppo spesso. >>> Fare attenzione a non aprire troppo frequentemente la porta del prodotto.
- L'ambiente è troppo umido. >>> Non installare il prodotto in ambienti umidi.
- Gli alimenti contenenti liquidi sono conservati in contenitori non sigillati. >>> Tenere gli alimenti contenenti liquidi in contenitori sigillati.
- La porta del prodotto viene lasciata aperta. >>> Non tenere aperte a lungo le porte del frigorifero.

- Il termostato è impostato su una temperatura molto fredda. >>> Impostare il termostato su una temperatura adeguata.

### Il compressore non funziona.

- In caso di improvviso black out, o nel caso in cui la spina venga tolta e poi reinserita, la pressione del gas nel sistema di raffreddamento del prodotto non è equilibrata, il che fa scattare la protezione termica del compressore. Il prodotto si riavvierà dopo circa 6 minuti. Qualora il prodotto non si riavvii dopo questo periodo, contattare l'assistenza.
- La modalità di scongelamento è attiva. >>> Si tratta di una condizione normale per un frigorifero con funzione di sbrinamento completamente automatica. Lo sbrinamento avviene a intervalli periodici.
- Il prodotto non è collegato. >>> Verificare che il cavo di alimentazione sia collegato.
- L'impostazione della temperatura è sbagliata. >>> Selezionare l'impostazione di temperatura adeguata.
- Non c'è corrente. >>> Il prodotto continuerà a funzionare normalmente quando verrà ripristinata la corrente elettrica.



### **Il rumore di funzionamento del frigorifero aumenta col passare del tempo.**

- Le prestazioni del prodotto potrebbero variare a seconda delle variazioni della temperatura ambiente. Ciò è normale e non è un'anomalia di funzionamento.

### **Il frigorifero funziona troppo spesso o troppo a lungo.**

- Il nuovo prodotto potrebbe essere più grande di quello precedente. I prodotti più grandi funzioneranno più a lungo.
- La temperatura della stanza potrebbe essere alta. >>> Il prodotto funzionerà normalmente per lunghi periodi di tempo con temperature ambiente superiori.
- Il prodotto potrebbe essere stato di recente collegato alla corrente, oppure al suo interno potrebbero essere stati recentemente aggiunti vari alimenti. >>> Al prodotto servirà più tempo per raggiungere la temperatura impostata, se collegato di recente, oppure nel caso in cui siano stati collocati nuovi alimenti al suo interno. Ciò è normale.
- Forse di recente sono state introdotte nel frigorifero grandi quantità di alimenti caldi. >>> Non mettere alimenti caldi direttamente dentro al frigorifero.
- Le porte sono state aperte frequentemente o tenute aperte a lungo. >>> L'aria calda che si muove all'interno provocherà un funzionamento più prolungato. Non aprire le porte con troppa frequenza.
- Le porte del congelatore o del raffreddatore potrebbero essere socchiusse. >>> Controllare che le porte siano totalmente chiuse.
- Il prodotto potrebbe essere impostato su una temperatura troppo bassa. >>> Impostare la temperatura su un livello più alto e attendere che il prodotto raggiunga la temperatura desiderata.
- La rondella della porta del raffreddatore o del congelatore potrebbe essere sporca, usurata, rotta o non correttamente configurata. >>> Pulire o sostituire la guarnizione. Le rondelle consumate e usurate faranno funzionare il prodotto più a lungo per conservare la temperatura attuale.

### **La temperatura del congelatore è molto bassa, ma la temperatura del raffreddatore è corretta.**

- La temperatura dello scomparto congelatore è impostata su un livello molto basso. >>> Impostare la temperatura dello scomparto congelatore su un livello più alto, quindi eseguire un controllo.

### **La temperatura del raffreddatore è molto bassa, ma la temperatura del congelatore è corretta.**

- Impostare la temperatura dello scomparto raffreddatore su un livello più alto, quindi eseguire un controllo. >>> Impostare la temperatura dello scomparto raffreddatore su un livello più alto, quindi eseguire un nuovo controllo.

### **Gli alimenti conservati nei cassetti dello scomparto raffreddatore sono congelati.**

- Impostare la temperatura dello scomparto raffreddatore su un livello più alto, quindi eseguire un controllo. >>> Impostare la temperatura dello scomparto raffreddatore su un livello più alto, quindi eseguire un nuovo controllo.

### **La temperatura nello scomparto raffreddatore e congelatore è troppo alta.**

- La temperatura dello scomparto raffreddatore è impostata su un livello molto alto. >>> L'impostazione della temperatura dello scomparto raffreddatore ha un effetto sulla temperatura dello scomparto congelatore. Attendere che la temperatura delle parti interessate raggiunga il livello sufficiente modificando la temperatura degli scomparti del raffreddatore o del congelatore.
- Le porte sono state aperte frequentemente o tenute aperte a lungo. >>> Non aprire le porte con troppa frequenza.
- La porta potrebbe essere socchiusa. >>> Chiudere completamente la porta.
- Il prodotto potrebbe essere stato di recente collegato alla corrente, oppure al suo interno potrebbero essere stati recentemente aggiunti vari alimenti. >>> Non si tratta di un'anomalia. >>> Al prodotto servirà più tempo per raggiungere



la temperatura impostata, se collegato di recente, oppure nel caso in cui siano stati collocati nuovi alimenti al suo interno.

- Forse di recente sono state introdotte nel frigorifero grandi quantità di alimenti caldi. >>> Non mettere alimenti caldi direttamente dentro al frigorifero.

#### **Vibrazioni o rumore.**

- >>> Se il prodotto vibra quando viene spostato lentamente, regolare i supporti per equilibrarlo. Verificare inoltre che la superficie di appoggio sia sufficientemente resistente per supportarne il peso.
- Gli eventuali oggetti collocati sul prodotto potrebbero causare rumori. >>> Togliere gli eventuali elementi collocati sul prodotto.
- Il prodotto emette rumori, come ad esempio liquido che scorre, spruzzo, eccetera
- I principi operativi del prodotto prevedono flussi di liquido e di gas. >>> Ciò è normale e non è un'anomalia di funzionamento.

#### **C'è un rumore, simile a un soffio, che proviene dal prodotto.**

- Il prodotto si serve di una ventola per il processo di raffreddamento. Ciò è normale e non è un'anomalia di funzionamento.

#### **Si è formata condensa sulle pareti interne del prodotto.**

- Le temperature calde o umide aumenteranno la formazione di ghiaccio e la condensa. Ciò è normale e non è un'anomalia di funzionamento.
- Le porte sono state aperte frequentemente o tenute aperte a lungo. >>> Non aprire le porte con troppa frequenza; se la porta è aperta, chiuderla.
- La porta potrebbe essere socchiusa. >>> Chiudere completamente la porta.

#### **Si è formata condensa sulla superficie esterna del prodotto o fra le porte.**

- Le condizioni ambientali potrebbero essere umide, e ciò è normale. >>> La condensa si dissiperà alla riduzione dell'umidità.

#### **L'interno emette cattivi odori.**

- Il prodotto non è stato pulito regolarmente. >>> Pulire la superficie interna a intervalli regolari servendosi di spugna, acqua tiepida, e acqua gassata.
- Alcuni supporti e materiali da confezionamento potrebbero causare cattivi odori. >>> Servirsi di supporti confezionamento che non emettano cattivi odori.
- Gli alimenti sono stati collocati in supporti non sigillati. >>> Tenere gli alimenti in contenitori sigillati. I microrganismi potrebbero fuoriuscire dagli alimenti non sigillati causando così cattivi odori.
- Rimuovere gli eventuali alimenti scaduti o rovinati dal prodotto.

#### **La porta non si chiude correttamente.**

- Le confezioni degli alimenti potrebbero bloccare la porta. >>> Trovare una nuova posizione per gli alimenti che bloccano le porte.
- Il prodotto non è in posizione verticale, appoggiato per terra. >>> Regolare i supporti per l'equilibrio del prodotto.
- La superficie non è piatta o resistente >>> Assicurarsi che la superficie sia piatta e sufficientemente resistente per sostenere il prodotto.

#### **Il cassetto frutta e verdura è inceppato.**

- Gli alimenti potrebbero entrare in contatto con la sezione superiore del cassetto. >>> Ri-organizzare gli alimenti nel cassetto.

#### **Temperatura sulla superficie del prodotto.**

- Mentre il prodotto è in funzione, potrebbero generarsi temperature elevate tra le due porte, sui pannelli laterali e sulla griglia posteriore. Ciò è normale e non richiede interventi di manutenzione.

#### **La ventola continua a funzionare quando la porta è aperta.**

- La ventola potrebbe continuare a funzionare quando la porta del congelatore è aperta.



**ATTENZIONE:** Qualora il problema persista dopo aver seguito le istruzioni contenute in questa selezione, contattare il proprio fornitore oppure un Servizio Autorizzato. Evitare in ogni caso di riparare il prodotto. Ciò è normale.

## DISCLAIMER/AVVERTIMENTO

Alcuni guasti (semplici) possono essere gestiti adeguatamente dall'utente finale senza che si verifichino problemi di sicurezza o di utilizzo non sicuro, a condizione che vengano eseguiti entro i limiti e in conformità alle seguenti istruzioni (vedere la sezione "Autoriparazione").

Pertanto, se non diversamente autorizzato nella sezione "Autoriparazione", per evitare problemi di sicurezza, le riparazioni devono essere effettuate da riparatori professionisti registrati. Un riparatore professionale registrato è un riparatore professionale a cui il produttore ha concesso l'accesso alle istruzioni e all'elenco delle parti di ricambio di questo prodotto secondo i metodi descritti negli atti legislativi ai sensi della direttiva 2009/125/CE.

**Solo gli agenti di assistenza (cioè i riparatori professionali autorizzati) raggiungibili tramite il numero di telefono indicato nel manuale d'uso/scheda di garanzia o tramite il rivenditore autorizzato possono, tuttavia, fornire assistenza in base ai termini della garanzia. Pertanto, si ricorda che le riparazioni effettuate da riparatori professionisti (non autorizzati da) Grundig annulleranno la garanzia.**

### **Autoriparazione**

L'utente finale può effettuare l'autoriparazione dei seguenti pezzi di ricambio: maniglie, cerniere, vassoi, cestini e guarnizioni dello sportello (un elenco aggiornato è disponibile anche su [support.grundig.com](http://support.grundig.com) a partire dal 1° marzo 2021).

Inoltre, per garantire la sicurezza del prodotto e prevenire il rischio di gravi lesioni, l'autoriparazione menzionata deve essere eseguita seguendo le istruzioni contenute

nel manuale d'uso per l'autoriparazione o disponibili su [support.grundig.com](http://support.grundig.com). Per la sicurezza dell'utente, prima di tentare qualsiasi riparazione, staccare la spina del prodotto.

I tentativi di riparazione da parte degli utenti finali per parti non incluse in tale elenco e/o non seguendo le istruzioni contenute nei manuali d'uso per l'autoriparazione o disponibili su [support.grundig.com](http://support.grundig.com), potrebbero causare problemi di sicurezza non imputabili a Grundig e invalideranno la garanzia del prodotto.

Pertanto, si raccomanda vivamente agli utenti finali di astenersi dal tentare di effettuare riparazioni che non rientrano nell'elenco dei pezzi di ricambio indicati, rivolgendosi in questi casi a riparatori professionali autorizzati o registrati. Al contrario, tali tentativi da parte degli utenti finali potrebbero causare problemi di sicurezza e danneggiare il prodotto, con conseguenti incendi, allagamenti, folgorazioni e gravi lesioni personali.

A titolo esemplificativo, ma non esaustivo, le seguenti riparazioni devono essere affidate a riparatori professionali autorizzati o registrati: compressore, circuito di raffreddamento, scheda principale, scheda inverter, scheda display, ecc.

Il produttore/venditore non può essere ritenuto responsabile in ogni caso di mancata osservanza di quanto sopra da parte degli utenti finali.

La disponibilità dei pezzi di ricambio del frigorifero acquistato è di 10 anni. Durante questo periodo, i pezzi di ricambio originali saranno disponibili per il corretto funzionamento del frigorifero.

La durata minima della garanzia del frigorifero acquistato è di 24 mesi.

Questo prodotto è dotato di una sorgente luminosa di classe energetica "G".

La sorgente luminosa di questo prodotto deve essere sostituita solo da un riparatore professionista

## **Πίνακας περιεχομένων**

<b>1 Οδηγίες Ασφαλείας</b> .....	<b>62</b>
1.1 Προβλεπόμενη χρήση .....	62
1.2 Ασφάλεια παιδιών, ευάλωτων ατόμων και κατοικίδιων .....	62
1.3 Ασφάλεια χρήσης ηλεκτρικού ρεύματος .....	63
1.4 Ασφάλεια χειρισμών .....	64
1.5 Ασφάλεια κατά την εγκατάσταση.	64
1.6 Ασφάλεια κατά τη λειτουργία .....	67
1.7 Ασφάλεια φύλαξης τροφίμων .....	69
1.8 Ασφάλεια κατά τη συντήρηση και τον καθαρισμό .....	70
1.9 Απώριψη του παλιού προϊόντος .....	71
1.10 Τεχνικές πληροφορίες σχετικά με Bluetooth + Wi-Fi .....	71
<b>2 Οδηγίες σχετικά με το περιβάλλον</b> .....	<b>72</b>
2.1 Συμμόρφωση με την Οδηγία WEEE και τελική διάθεση του προϊόντος στο τέλος της ωφέλιμης ζωής του .....	72
<b>3 Το ψυγείο σας</b> .....	<b>73</b>
<b>4 Εγκατάσταση</b> .....	<b>73</b>
4.1 Σωστή θέση εγκατάστασης .....	74
4.2 Σύνδεση στο ηλεκτρικό ρεύμα .....	74
4.3 Τοποθέτηση των πλαστικών σφηνών .....	74
4.4 Ρύθμιση των ποδιών .....	75
4.5 Προειδοποίηση για θερμές επιφάνειες .....	75
<b>5 Προετοιμασία</b> .....	<b>75</b>
5.1 Τρόποι εξοικονόμησης ενέργειας .....	75
5.2 Πρώτη χρήση .....	76
5.3 Κατηγορία κλίματος και ορισμοί ..	76
<b>6 Χειρισμός του προϊόντος</b> .....	<b>76</b>
<b>7 Πίνακας ελέγχου του προϊόντος</b> .	<b>78</b>
<b>8 Χρήση της συσκευής</b> .....	<b>80</b>
8.1 Φύλαξη τροφίμων στον θάλαμο καταψύκτη και στον θάλαμο συντήρησης .....	80
8.2 Αντικατάσταση του λαμπτήρα φωτισμού .....	83
8.3 Ειδοποίηση ανοιχτής πόρτας .....	83
8.4 Αντιστροφή της πλευράς ανοίγματος των θυρών .....	83

<b>9 Χαρακτηριστικά Προϊόντος</b> .....	<b>84</b>
9.1 Χώρος φύλαξης πάγου .....	84
9.2 Συρτάρι λαχανικών .....	84
9.3 Τεχνολογίες συρταριού λαχανικών .....	84
9.4 Περιοχή Ψυχρής φύλαξης Γαλακτοκομικών Προϊόντων .....	84
9.5 AeroFresh .....	85
9.6 Συρτάρι λαχανικών ελεγχόμενης υγρασίας .....	85
<b>10 Συντήρηση και καθαρισμός</b> .....	<b>85</b>
<b>11 Αντιμετώπιση προβλημάτων</b> .....	<b>86</b>

## Παρακαλούμε διαβάστε πρώτα αυτό το εγχειρίδιο!

### Αγαπητέ Πελάτη





#### Παρακαλούμε διαβάστε αυτό το εγχειρίδιο πριν τη χρήση του προϊόντος.

Σας ευχαριστούμε που επιλέξατε αυτό το προϊόν Grundig. Θα θέλαμε να επιτύχετε τη βέλτιστη απόδοση από αυτό το υψηλής ποιότητας προϊόν που έχει κατασκευαστεί με την τελευταία τεχνολογία. Για να το επιτύχετε αυτό, διαβάστε προσεκτικά αυτό το εγχειρίδιο και οποιαδήποτε άλλη τεκμηρίωση παρέχεται μαζί με το προϊόν πριν χρησιμοποιήσετε το προϊόν και φυλάξτε τα για μελλοντική αναφορά.





Τηρείτε όλες τις πληροφορίες και προειδοποιήσεις στο εγχειρίδιο χρήσης. Με αυτό τον τρόπο, θα προστατέψετε τον εαυτό σας και το προϊόν από κινδύνους που μπορεί να προκύψουν.

Φυλάξτε το εγχειρίδιο χρήσης. Συμπεριλάβετε αυτό το εγχειρίδιο με τη μονάδα, αν την παραδώσετε σε επόμενο κάτοχο.

#### Στο εγχειρίδιο χρήσης χρησιμοποιούνται τα παρακάτω σύμβολα:

- |  |  |
|--|--|
|  | Κίνδυνος που μπορεί να επιφέρει θάνατο ή τραυματισμό.                  |
|  | Σημαντικές πληροφορίες ή χρήσιμες συμβουλές σχετικά με την λειτουργία. |
|  | Διαβάστε το εγχειρίδιο χρήσης.   |
|  | Καύσιμα υλικά, προειδοποίηση για κίνδυνο φωτιάς.                       |

**ΕΙΔΟΠΟΙΗΣΗ** Ένας κίνδυνος που μπορεί να προκαλέσει υλικές ζημιές στο προϊόν ή στον περιγύρό του

		Η πρόσβαση στις πληροφορίες για το μοντέλο όπως είναι αποθηκευμένες στη βάση δεδομένων προϊόντων είναι εφικτή με την είσοδο στον ακόλουθο ιστότοπο και την αναζήτηση του αναγνωριστικού του μοντέλου (*) της συσκευής σας, που αναφέρεται στην ετικέτα ενεργειακής σήμανσης. <a href="https://eprel.ec.europa.eu/">https://eprel.ec.europa.eu/</a>
<b>SUPPLIER'S NAME</b>	<b>MODEL IDENTIFIER</b> → (*)	
		

## 1 Οδηγίες Ασφαλείας

- Η ενότητα αυτή περιλαμβάνει τις οδηγίες ασφαλείας που είναι απαραίτητες για την αποτροπή του κινδύνου τραυματισμού ατόμων ή υλικών ζημιών.
- Η εταιρεία μας δεν θα φέρει καμία ευθύνη για ζημιές που ενδέχεται να προκύψουν αν δεν τηρηθούν οι παρούσες οδηγίες.



Πάντα αναθέτετε τις εργασίες εγκατάστασης και επισκευής στον κατασκευαστή, σε εξουσιοδοτημένο σέρβις ή σε ένα άτομο που θα ορίσει η εταιρεία εισαγωγής.



Χρησιμοποιείτε μόνο γνήσια ανταλλακτικά και αξεσουάρ.



Μην επισκευάσετε ή αντικαταστήσετε μόνοι σας οποιοδήποτε εξάρτημα του προϊόντος, εκτός αν αυτό προβλέπεται ρητά στο εγχειρίδιο χρήσης.



Μην πραγματοποιήσετε καμία τροποποίηση στο προϊόν.

### 1.1 Προβλεπόμενη χρήση

- Αυτό το προϊόν δεν είναι κατάλληλο για επαγγελματική χρήση και δεν πρέπει να χρησιμοποιηθεί για σκοπό άλλον από την προβλεπόμενη χρήση του.

- Το προϊόν αυτό προορίζεται για χρήση σε εσωτερικούς χώρους, όπως κατοικίες, ή παρόμοιους.

Για παράδειγμα:

Σε κουζίνες προσωπικού καταστημάτων, γραφείων και άλλων χώρων εργασίας.

Σε αγροικίες.

Σε χώρους ξενοδοχείων, μοτέλ ή άλλων εγκαταστάσεων διαμονής που χρησιμοποιούνται από τους πελάτες.

Σε ξενώνες ή παρόμοια περιβάλλοντα.

Σε υπηρεσίες κέτερινγκ και παρόμοιες εφαρμογές μη λιανικής πώλησης.

- Το προϊόν αυτό δεν πρέπει να χρησιμοποιείται σε ανοικτά ή περικλειστά εξωτερικά περιβάλλοντα, όπως σε σκάφη, τροχόσπιτα, μπαλκόνια ή βεράντες. Η έκθεση του προϊόντος σε βροχή, χιόνι, ήλιο ή άνεμο μπορεί να προκαλέσει κίνδυνο πυρκαγιάς.

### 1.2 Ασφάλεια παιδιών, ευάλωτων ατόμων και κατοικιδίων

- Το προϊόν αυτό επιτρέπεται να χρησιμοποιείται από παιδιά ηλικίας 8 ετών και άνω και από άτομα με ανεπαρκώς ανεπτυγμένες σωματικές, αισθητηριακές ή διανοητικές ικανότητες ή

με έλλειψη εμπειρίας και γνώσης, αν τα άτομα αυτά βρίσκονται υπό επιτήρηση ή στα άτομα αυτά έχει δοθεί εκπαίδευση σχετικά με την ασφαλή χρήση της συσκευής και τους κινδύνους που ενέχονται.

- Παιδιά μεταξύ 3 και 8 ετών επιτρέπεται να τοποθετούν και να αφαιρούν τρόφιμα μέσα στο/ από το ψυκτικό προϊόν.
- Τα ηλεκτρικά προϊόντα είναι επικίνδυνα για παιδιά και κατοικίδια. Τα παιδιά και τα κατοικίδια δεν πρέπει να παίζουν με το προϊόν, ούτε να ανεβαίνουν πάνω του ή να μπαίνουν μέσα.
- Οι εργασίες καθαρισμού και συντήρησης από τον χρήστη δεν πρέπει να γίνονται από παιδιά, εκτός αν αυτά βρίσκονται υπό επίβλεψη ενήλικα.
- Κρατάτε τα υλικά συσκευασίας μακριά από παιδιά. Κίνδυνος τραυματισμού και ασφυξίας.

Πριν απορρίψετε παλιά προϊόντα που δεν θα χρησιμοποιηθούν πια:

1. Αποσυνδέστε το καλώδιο ρεύματος από την πρίζα ρεύματος δικτύου.
2. Κόψτε το καλώδιο ρεύματος και αφαιρέστε το από τη συσκευή μαζί με το φιλτράρισμα.
3. Μην αφαιρέσετε τα ράφια και τα συρτάρια του προϊόντος, για να αποτρέψετε την είσοδο παιδιών στη συσκευή.

4. Αφαιρέστε τις πόρτες.
5. Αποθηκεύστε το προϊόν ώστε να μην μπορεί να ανατραπεί.
6. Μην επιτρέπετε σε παιδιά να παίζουν με το αχρηστευμένο προϊόν.

- Μην απορρίψετε το προϊόν σε φωτιά. Κίνδυνος έκρηξης.
- Αν η πόρτα του προϊόντος διαθέτει κλειδαριά, κρατήστε το κλειδί μακριά από παιδιά.



### 1.3 Ασφάλεια χρήσης ηλεκτρικού ρεύματος

- Το προϊόν δεν πρέπει να είναι συνδεδεμένο στην πρίζα κατά τις εργασίες εγκατάστασης, συντήρησης, καθαρισμού, επισκευής και μεταφοράς.
- Αν υποστεί ζημιά το καλώδιο ρεύματος, αυτό πρέπει να επισκευαστεί μόνο από εξουσιοδοτημένο σέρβις, για την αποφυγή τυχόν κινδύνων.
- Μην συμπιέσετε το καλώδιο κάτω από το προϊόν ή στο πίσω μέρος του προϊόντος. Μην τοποθετείτε βαριά αντικείμενα πάνω στο καλώδιο ρεύματος. Το καλώδιο ρεύματος δεν πρέπει να είναι λυγισμένο, συμπιεσμένο ούτε να έρχεται σε επαφή με οποιαδήποτε πηγή θερμότητας.
- Μην χρησιμοποιείτε καλώδιο επέκτασης, πολύπριζο ή τροφοδοτικό για τη λειτουργία του προϊόντος.

- Τα φορητά πολύπριζα ή τα φορητά τροφοδοτικά μπορεί να υπερθερμανθούν και να προκαλέσουν φωτιά. Επομένως, μην έχετε πολύπριζο ή φορητά τροφοδοτικά πίσω από το προϊόν ή κοντά σε αυτό.
- Μην συνδέσετε το καλώδιο ρεύματος του προϊόντος σε πρίζα που δεν είναι καλά στερεωμένη ή που έχει υποστεί ζημιά. Αυτοί οι τύποι συνδέσεων μπορεί να υπερθερμανθούν και να προκαλέσουν φωτιά.
- Το φως θα πρέπει να είναι εύκολα προσβάσιμο. Αν δεν είναι εφικτό αυτό, πρέπει να υπάρχει διαθέσιμος στην ηλεκτρική εγκατάσταση ένα μηχανισμός που συμμορφώνεται με τη νομοθεσία περί ηλεκτρικών εγκαταστάσεων και αποσυνδέει όλους τους ακροδέκτες από την παροχή ρεύματος δικτύου (ασφάλεια, διακόπτης, γενικός διακόπτης κλπ.).
- Μην αγγίζετε το φως ρευματοληψίας με υγρά χέρια.
- Κατά την αποσύνδεση της συσκευής από την πρίζα, μην τραβάτε το καλώδιο ρεύματος, αλλά το φως.

#### 1.4 Ασφάλεια χειρισμών

- Βεβαιωθείτε να αποσυνδέσετε τη συσκευή από την πρίζα πριν τη μεταφέρετε.

- Αυτό το προϊόν είναι βαρύ, μην το χειρίζεστε μόνοι σας. Μπορεί να προκύψουν τραυματισμοί αν το προϊόν πέσει πάνω σας. Προσέξτε να μη χτυπήσετε το προϊόν σε άλλα αντικείμενα και να μη σας πέσει ενώ το μεταφέρετε.
- Πάντα κλείνετε τις πόρτες του προϊόντος και μην κρατάτε το προϊόν από τις πόρτες του ενώ το μεταφέρετε.
- Προσέχετε να μην προξενήσετε ζημιά στο ψυκτικό σύστημα και στους σωλήνες του κατά τους χειρισμούς του προϊόντος. Μην χρησιμοποιείτε το προϊόν αν οι σωλήνες έχουν υποστεί ζημιά, αλλά επικοινωνήστε με ένα εξουσιοδοτημένο σέρβις.

#### 1.5 Ασφάλεια κατά την εγκατάσταση

- Για την εγκατάσταση του προϊόντος επικοινωνήστε με το Εξουσιοδοτημένο Σέρβις. Για να προετοιμάσετε το προϊόν για χρήση, δείτε τις πληροφορίες στο εγχειρίδιο χρήσης και βεβαιωθείτε ότι οι παροχές ρεύματος και νερού συμμορφώνονται με τις απαιτήσεις. Αν όχι, καλέστε έναν εξειδικευμένο ηλεκτρολόγο και υδραυλικό για να διαμορφώσουν τις παροχές όπως χρειάζεται. Σε αντίθετη περίπτωση μπορεί να



- προκληθούν ηλεκτροπληξία, φωτιά, προβλήματα με το προϊόν ή τραυματισμός.
- Αυτό το προϊόν έχει σχεδιαστεί για χρήση σε περιοχές με ανώτατο υψόμετρο 2000 μέτρων από την επιφάνεια της θάλασσας.
  - Ελέγξτε το προϊόν για τυχόν ζημιά, πριν την εγκατάστασή του. Μην επιτρέψετε την εγκατάσταση του προϊόντος αν έχει υποστεί ζημιά.
  - Πάντα χρησιμοποιείτε ατομικό προστατευτικό εξοπλισμό (γάντια κλπ.) κατά την εγκατάσταση, τη συντήρηση και την επισκευή του προϊόντος. Κίνδυνος τραυματισμού!
  - Τοποθετήστε το προϊόν πάνω σε μια καθαρή, επίπεδη, οριζόντια και σκληρή επιφάνεια και ισορροπήστε το χρησιμοποιώντας τα ρυθμιζόμενα πόδια του (περιστρέφοντας τα μπροστινά πόδια του προς τα αριστερά ή τα δεξιά). Διαφορετικά, το ψυγείο μπορεί να ανατραπεί και να προκαλέσει τραυματισμούς.
  - Το προϊόν πρέπει να εγκατασταθεί σε ένα ξηρό και καλά αεριζόμενο περιβάλλον. Μην έχετε χαλιά, πατάκια ή παρόμοια καλύμματα δαπέδου κάτω από το προϊόν. Αυτό μπορεί να προκαλέσει κίνδυνο φωτιάς λόγω ανεπαρκούς αερισμού!
  - Μη φράζετε ή καλύπτετε τα ανοίγματα αερισμού. Διαφορετικά, η κατανάλωση ρεύματος αυξάνεται, και μπορεί να προκληθεί ζημιά στο προϊόν.
  - Κατά την τοποθέτηση του προϊόντος, βεβαιωθείτε ότι το καλώδιο τροφοδοσίας δεν θα υποστεί ζημιά και δεν θα συμπιεστεί.
  - Το προϊόν δεν πρέπει να συνδέεται σε συστήματα παροχής ρεύματος όπως ηλιακά συστήματα. Διαφορετικά, το προϊόν μπορεί να υποστεί ζημιά λόγω απότομων αλλαγών της ηλεκτρικής τάσης!
  - Όσο περισσότερο ψυκτικό μέσο περιέχει ένα ψυγείο, τόσο μεγαλύτερο θα πρέπει να είναι το δωμάτιο εγκατάστασης. Σε πολύ μικρά δωμάτια μπορεί να προκύψει εύφλεκτο μείγμα αερίου-αέρα σε περίπτωση διαρροής αερίου από το ψυκτικό σύστημα. Απαιτείται τουλάχιστον 1 m<sup>3</sup> όγκου για κάθε 8 γραμμάρια ψυκτικού μέσου. Η ποσότητα ψυκτικού μέσου που περιέχεται στο προϊόν αναφέρεται στην Πινακίδα Τύπου του προϊόντος.
  - Η θέση εγκατάστασης του προϊόντος δεν πρέπει να είναι εκτεθειμένη σε άμεση ηλιακή ακτινοβολία και δεν πρέπει να είναι κοντά σε πηγή θερμότητας όπως κουζίνες μαγειρέματος, σώματα καλοριφέρ κλπ.

Αν δεν μπορείτε να αποφύγετε την εγκατάσταση του προϊόντος κοντά σε πηγή θερμότητας, πρέπει να χρησιμοποιήσετε μια κατάλληλη μονωτική πλάκα και να βεβαιωθείτε ότι η ελάχιστη απόσταση από την πηγή θερμότητας πρέπει να συμμορφώνεται με τα παρακάτω:

- Τουλάχιστον 30 cm από πηγές θερμότητας όπως κουζίνες μαγειρέματος, φούρνους, θερμαντικά σώματα και συσκευές θέρμανσης κλπ.
- Και τουλάχιστον 5 cm από ηλεκτρικούς φούρνους.
- Το προϊόν σας διαθέτει κλάση προστασίας I.
- Συνδέετε το προϊόν σε γειωμένη πρίζα που συμμορφώνεται με τις τιμές τάσης, ρεύματος και συχνότητας που αναφέρονται στην πινακίδα τύπου του. Η πρίζα πρέπει να προστατεύεται από ασφάλεια 10 A – 16 A. Η εταιρία μας δεν φέρει ευθύνη για τυχόν ζημιές λόγω χρήσης χωρίς γείωση και χωρίς σύνδεση ρεύματος που συμμορφώνεται με τους τοπικούς και εθνικούς κανονισμούς.
- Το καλώδιο ρεύματος του προϊόντος πρέπει να είναι αποσυνδεδεμένο από την πρίζα κατά την εγκατάσταση. Διαφορετικά, μπορεί να προκύψει κίνδυνος ηλεκτροπληξίας και τραυματισμού!
- Μη συνδέετε το καλώδιο ρεύματος του προϊόντος σε πρίζες που δεν είναι καλά στερεωμένες, έχουν φύγει από τη θέση τους, είναι σπασμένες ή έχουν λερωθεί με ακαθαρσίες ή λάδια. Αυτοί οι τύποι συνδέσεων μπορεί να προκαλέσουν υπερθέρμανση και φωτιά.
- Τοποθετήστε το καλώδιο ρεύματος και τους εύκαμπτους σωλήνες (αν υπάρχουν) του προϊόντος με τρόπο ώστε να μην κινδυνεύουν να προκαλέσουν παραπάτημα.
- Η διείσδυση υγρασίας και υγρών σε εξαρτήματα υπό τάση ή στο καλώδιο ρεύματος μπορεί να προκαλέσει βραχυκύκλωμα. Για το λόγο αυτό, μη χρησιμοποιείτε το προϊόν σε περιβάλλον με υγρασία ή σε περιοχές όπου μπορεί να πισιλιστεί νερό (π.χ. γκαράζ, δωμάτιο πλυντηρίου κλπ.). Αν το ψυγείο βραχεί με νερό, αποσυνδέστε το από την πρίζα και επικοινωνήστε με ένα εξουσιοδοτημένο σέρβις.
- Μη συνδέσετε ποτέ το ψυγείο σας σε διατάξεις εξοικονόμησης ενέργειας. Αυτά τα συστήματα είναι επιβλαβή για το προϊόν.

- Υπάρχει κίνδυνος επαφή με ηλεκτρικά εξαρτήματα όταν αφαιρείτε το κάλυμμα της πλακέτας ηλεκτρονικών και το πίσω κάλυμμα συμπιεστή (αν υπάρχει στον εξοπλισμό). Μην αφαιρείτε το κάλυμμα της πλακέτας ηλεκτρονικών και το πίσω κάλυμμα συμπιεστή (αν υπάρχει στον εξοπλισμό). Υπάρχει κίνδυνος ηλεκτροπληξίας!

### 1.6 Ασφάλεια κατά τη λειτουργία

- Ποτέ μη χρησιμοποιήσετε χημικούς διαλύτες στο προϊόν. Αυτά τα υλικά δημιουργούν κίνδυνο έκρηξης.
  - Σε περίπτωση βλάβης του προϊόντος, αποσυνδέστε το από την πρίζα και μην το θέσετε πάλι σε λειτουργία έως ότου επισκευαστεί από το εξουσιοδοτημένο σέρβις. Υπάρχει κίνδυνος ηλεκτροπληξίας!
  - Μην τοποθετείτε πάνω ή κοντά στο προϊόν πηγές φλόγας (π.χ. κεριά, τσιγάρα κλπ.).
  - Μην ανεβαίνετε πάνω στο προϊόν. Κίνδυνος πτώσης και τραυματισμού!
  - Μην προξενήσετε ζημιά στους σωλήνες του συστήματος ψύξης χρησιμοποιώντας αιχμηρά και μυτερά αντικείμενα. Το ψυκτικό μέσο που εκτοξεύεται σε περίπτωση διάτρησης των σωλήνων αερίου, των επεκτάσε-
- ων σωλήνων ή των επιστρώσεων της πάνω επιφάνειας, μπορεί να προκαλέσει ερεθισμό του δέρματος και τραυματισμό των ματιών.
  - Μην τοποθετείτε και χρησιμοποιείτε ηλεκτρικές συσκευές μέσα σε ψυγεία/καταψύκτες εκτός αν αυτό υποδεικνύεται από τον κατασκευαστή.
  - Αποφεύγετε την παγίδευση οποιουδήποτε τμήματος των χεριών ή του σώματός σας σε οποιαδήποτε κινούμενα μέρη στο εσωτερικό του προϊόντος. Προσέχετε να μην πιαστούν τα δάκτυλά σας ανάμεσα στο ψυγείο και την πόρτα του. Προσέχετε όταν ανοίγετε και κλείνετε την πόρτα ενώ υπάρχουν γύρω παιδιά.
  - Μην τοποθετείτε παγωτό, παγάκια ή κατεψυγμένα τρόφιμα στο στόμα σας αμέσως μόλις αφαιρέσετε αυτά τα είδη από τον καταψύκτη. Κίνδυνος κρουσπαγήματος!
  - Μην αγγίζετε με υγρά χέρια τα εσωτερικά τοιχώματα, τα μεταλλικά μέρη του καταψύκτη ή τρόφιμα που φυλάσσετε μέσα στον καταψύκτη. Κίνδυνος κρουσπαγήματος!
  - Μην τοποθετείτε στον θάλαμο καταψύκτη κουτιά αναψυκτικών ή μεταλλικά κουτιά και μπουκάλια που περιέχουν υγρά που μπορεί να παγώσουν. Τα μεταλλικά κουτιά ή

τα μπουκάλια μπορούν να εκραγούν. Κίνδυνος τραυματισμού και υλικών ζημιών!

- Μη χρησιμοποιείτε ή τοποθετείτε κοντά στο ψυγείο υλικά που είναι ευαίσθητα στη θερμοκρασία όπως εύφλεκτα σπρέι, εύφλεκτα αντικείμενα, ξηρό πάγο ή άλλα χημικά. Κίνδυνος φωτιάς και έκρηξης!
- Μη φυλάσσετε μέσα στο προϊόν εκρηκτικά υλικά όπως δοχεία αεροζόλ που περιέχουν εύφλεκτα υλικά.
- Μην τοποθετείτε πάνω στο προϊόν ανοικτά δοχεία που περιέχουν υγρά. Τυχόν πισίλισμα νερού πάνω σε ένα ηλεκτρικό εξάρτημα μπορεί να προκαλέσει ηλεκτροπληξία ή φωτιά.
- Το προϊόν αυτό δεν προορίζεται για φύλαξη και ψύξη φαρμάκων, πλάσματος αίματος, εργαστηριακών παρασκευασμάτων ή παρόμοιων υλικών και προϊόντων που υπόκεινται στην Οδηγία περί Ιατροτεχνολογικών προϊόντων.
- Αν το προϊόν χρησιμοποιηθεί αντίθετα με την προβλεπόμενη χρήση του, μπορεί να προκαλέσει ζημιά ή αλλοίωση των προϊόντων που φυλάσσονται στο εσωτερικό του.
- Αν το ψυγείο σας διαθέτει μπλε φως, μην κοιτάζετε αυτό το φως με χρήση οπτικών διατάξεων. Μην κοιτάζετε παρατε-

ταμένα απευθείας σε φως LED UV (υπεριώδους ακτινοβολίας). Οι υπεριώδεις ακτίνες μπορεί να προκαλέσουν καταπόνηση των ματιών.

- Μην τοποθετείτε μέσα στη συσκευή περισσότερα τρόφιμα από τη χωρητικότητά της. Μπορεί να προκύψουν τραυματισμοί ή ζημιές αν πέσουν τα περιεχόμενα του ψυγείου καθώς ανοίγει η πόρτα. Παρόμοια προβλήματα μπορεί επίσης να προκύψουν αν τοποθετηθεί αντικείμενο πάνω στο προϊόν.
- Για την αποφυγή τραυματισμών, να βεβαιώνεστε ότι έχετε καθαρίσει όλον τον πάγο και το νερό που μπορεί να έχει πέσει ή χυθεί στο δάπεδο.
- Αλλάζετε θέσεις στα ράφια/στις θήκες μπουκαλιών στην πόρτα του ψυγείου μόνο όταν αυτά είναι κενά. Κίνδυνος τραυματισμού!
- Μην τοποθετείτε πάνω στο προϊόν αντικείμενα που μπορεί να πέσουν ή να ανατραπούν. Αυτά τα αντικείμενα μπορεί να πέσουν κατά το άνοιγμα ή κλείσιμο της πόρτας και να προκαλέσουν τραυματισμούς και/ή υλικές ζημιές.
- Μη χτυπάτε τις γυάλινες επιφάνειες και μην τους ασκείτε υπερβολική πίεση. Αν σπάσει

το γυαλί μπορεί να προκαλέσει τραυματισμούς και/ή υλικές ζημιές.

- Το σύστημα ψύξης του προϊόντος περιέχει το ψυκτικό μέσο R600a. Ο τύπος ψυκτικού μέσου που χρησιμοποιείται στο προϊόν αναφέρεται στην πινακίδα τύπου. Αυτό το αέριο είναι εύφλεκτο. Επομένως, προσέχετε να μην προξενήσετε ζημιά στο σύστημα ψύξης και στους σωλήνες κατά τους χειρισμούς του προϊόντος. Σε περίπτωση ζημιών στους σωλήνες:

1. Μην αγγίζετε το προϊόν ή το καλώδιο ρεύματος.
2. Κρατάτε το προϊόν μακριά από δυνητικές πηγές φωτιάς που μπορούν να προκαλέσουν ανάφλεξη του προϊόντος.
3. Αερίστε την περιοχή όπου είναι τοποθετημένο το προϊόν. Μη χρησιμοποιήσετε ανεμιστήρα.
4. Επικοινωνήστε με Εξουσιοδοτημένο Σέρβις.

Αν το προϊόν έχει υποστεί ζημιά και παρατηρήσετε διαρροή αερίου, μείνετε μακριά από το αέριο. Το αέριο μπορεί να προκαλέσει κρουπάγημα αν έρθει σε επαφή με το δέρμα σας.

Πριν απορρίψετε παλιά προϊόντα που δεν θα χρησιμοποιηθούν πια:

1. Αποσυνδέστε το καλώδιο ρεύματος από την πρίζα ρεύματος δικτύου.
  2. Κόψτε το καλώδιο ρεύματος και αφαιρέστε το από τη συσκευή μαζί με το φιλτράρισμα.
  3. Μην αφαιρέσετε τα ράφια και τα συρτάρια του προϊόντος, για να αποτρέψετε την είσοδο παιδιών στη συσκευή.
  4. Αφαιρέστε τις πόρτες.
  5. Αποθηκεύστε το προϊόν ώστε να μην μπορεί να ανατραπεί.
  6. Μην επιτρέπεται σε παιδιά να παίζουν με το αχρηστευμένο προϊόν.
- Μην απορρίψετε το προϊόν σε φωτιά. Κίνδυνος έκρηξης.
  - Αν η πόρτα του προϊόντος διαθέτει κλειδαριά, κρατήστε το κλειδί μακριά από παιδιά.



### 1.7 Ασφάλεια φύλαξης τροφίμων

Παρακαλούμε να λάβετε σοβαρά υπόψη σας τις ακόλουθες προειδοποιήσεις, για να αποφύγετε αλλοίωση των τροφίμων:

- Αν αφήνετε τις πόρτες ανοιχτές για πολύ χρόνο, μπορεί να προκληθεί αύξηση της θερμοκρασίας στο εσωτερικό του προϊόντος.
- Καθαρίζετε τακτικά τα προσπελάσιμα συστήματα αποστράγγισης που έρχονται σε επαφή με τρόφιμα.

- Καθαρίζετε τα δοχεία νερού που δεν έχουν χρησιμοποιηθεί για 48 ώρες και τα συστήματα που τροφοδοτούνται με νερό δικτύου αν δεν έχουν χρησιμοποιηθεί για περισσότερες από 5 ημέρες.
- Φυλάσσετε τα νωπά προϊόντα κρέατος και ψαριών στα κατάλληλα διαμερίσματα στο εσωτερικό του προϊόντος. Με αυτόν τον τρόπο δεν θα στάζουν πάνω σε άλλα τρόφιμα ούτε θα έρχονται σε επαφή με αυτά.
- Χρησιμοποιούνται διαμερίσματα καταψύκτη δύο αστέρων για αποθήκευση προ-κατεψυγμένων τροφίμων και για την παρασκευή και φύλαξη πάγου και παγωτού.
- Τα διαμερίσματα ενός, δύο και τριών αστέρων δεν είναι κατάλληλα για την κατάψυξη νωπών τροφίμων.
- Αν το ψυκτικό προϊόν έχει παραμείνει κενό για μεγάλο χρονικό διάστημα, απενεργοποιήστε το, πραγματοποιήστε απόψυξη, καθαρίστε και στεγνώστε το, για προστασία του περιβλήματος του προϊόντος.



## 1.8 Ασφάλεια κατά τη συντήρηση και τον καθαρισμό

- Αποσυνδέστε το προϊόν από την πρίζα πριν το καθαρίσετε και πριν αρχίσετε εργασίες συντήρησης.
- Μην τραβάτε τη λαβή της πόρτας του προϊόντος για να το μετακινήσετε όπως π.χ. για να το καθαρίσετε. Η λαβή μπορεί να προκαλέσει τραυματισμούς αν τραβηχτεί πολύ δυνατά.
- Μη βάζετε τα χέρια σας κλπ. κάτω από το ψυγείο. Μπορεί να σφηνώσουν ή να προκληθεί τραυματισμός σε αιχμηρές ακμές.
- Μην ψεκάζετε ή χύνετε νερό πάνω ή μέσα στο προϊόν όταν θέλετε να το καθαρίσετε. Κίνδυνος ηλεκτροπληξίας και φωτιάς.
- Όταν καθαρίζετε το προϊόν, μη χρησιμοποιείτε αιχμηρά εργαλεία ή εργαλεία και οικιακά καθαριστικά που χαράζουν, ούτε απορρυπαντικά, αέρια, βενζίνη, αραιωτικά χρωμάτων, οινόπνευμα, βερνίκι και παρόμοιες ουσίες. Στο εσωτερικό του προϊόντος χρησιμοποιείτε μόνο προϊόντα καθαρισμού και συντήρησης που δεν είναι επιβλαβή για τρόφιμα.
- Μη χρησιμοποιείτε ποτέ ατμό ή μέσα καθαρισμού που παράγουν ατμό για τον καθαρι-

- σμό του προϊόντος και την τή-  
ξη πάγου στο εσωτερικό του.  
Ο ατμός έρχεται σε επαφή με  
τις ηλεκτροφόρες περιοχές του  
ψυγείου σας και προκαλεί βρα-  
χυκύκλωμα ή ηλεκτροπληξία.
- Προσέχετε να κρατάτε το νερό μακριά από οπές αερισμού, ηλεκτρονικά κυκλώματα ή κυκλώματα φωτισμού του προϊόντος.
  - Χρησιμοποιήστε ένα καθαρό, στεγνό πανί για να σκουπίσετε τη σκόνη ή τα ξένα υλικά από τους πόλους των φις. Μη χρησιμοποιήσετε βρεγμένο ή υγρό πανί για να καθαρίσετε το φις. Διαφορετικά μπορεί να προκύψει κίνδυνος πυρκαγιάς ή ηλεκτροπληξίας.

## 1.9 Απόρριψη του παλιού προϊόντος

Κατά την απόρριψη του παλιού προϊόντος ακολουθείτε τις παρακάτω οδηγίες:

## 1.10 Τεχνικές πληροφορίες σχετικά με Bluetooth + Wi-Fi

Ζώνη συχνοτήτων:	2,4 GHz (Λειτουργία Wi-Fi ή Bluetooth)
Μέγ. ισχύς μετάδοσης:	< 100 mW (Λειτουργία Wi-Fi ή Bluetooth)
Λεπτομέρειες λογισμικού:	Quartz_WiFi.XXX

### Δήλωση συμμόρφωσης CE:

Η Arçelik A.Ş. δηλώνει ότι το προϊόν αυτό συμμορφώνεται με την Οδηγία 2014/53/ΕΕ.

Η πλήρης δήλωση συμμόρφωσης ΕΕ είναι διαθέσιμη στον εξής ιστότοπο:

- Για να αποτρέψετε να κλειδωθούν κατά λάθος παιδιά μέσα στο προϊόν, αν υπάρχει κλειδαριά στην πόρτα, αχρηστέψτε την.
- Το πισίλισμα με ψυκτικό μέσο είναι επιβλαβές για τα μάτια. Μην προσεγγίσετε ζημιά σε κανένα μέρος του ψυκτικού συστήματος κατά την απόρριψη του προϊόντος.
- Η κατάποση λαδιού συμπιεστή ή η διείσδυσή του λαδιού αυτού στην αναπνευστική οδό μπορεί να έχει θανάσιμα αποτελέσματα.
- Το ψυκτικό σύστημα του προϊόντος περιέχει το αέριο R600a όπως αναφέρεται και στην ετικέτα τύπου. Αυτό το αέριο είναι εύφλεκτο. Μην απορρίψετε το προϊόν σε φωτιά. Κίνδυνος έκρηξης!

Products (Προϊόντα), στη διαδικτυακή διεύθυνση:

[support.grundig.com](http://support.grundig.com)

Η καθορισμένη περίοδος υποστήριξης ενημέρωσης λογισμικού που σχετίζεται με την ασφάλεια στον κυβερνοχώρο

του προϊόντος είναι η περίοδος εγγύησης του προϊόντος. Μετά από αυτό το διάστημα, οι ενημερώσεις λογισμικού που σχετίζο-

νται με την ασφάλεια στον κυβερνοχώρο δεν είναι εγγυημένες.

## 2 Οδηγίες σχετικά με το περιβάλλον

### 2.1 Συμμόρφωση με την Οδηγία WEEE και τελική διάθεση του προϊόντος στο τέλος της ωφέλιμης ζωής του



Το προϊόν αυτό συμμορφώνεται με την οδηγία ΑΗΗΕ της ΕΕ (2012/19/ΕΕ). Το προϊόν αυτό φέρει ένα σύμβολο ταξινόμησης για απόβλητα ηλεκτρικού και ηλεκτρονικού εξοπλισμού

(ΑΗΗΕ).

Αυτό το σύμβολο υποδεικνύει ότι το προϊόν αυτό δεν πρέπει να απορριφθεί με τα οικιακά απορρίμματα στο τέλος της ωφέλιμης ζωής του. Η χρησιμοποιημένη συσκευή πρέπει να επιστραφεί σε επίσημο σημείο συλλογής για την ανακύκλωση ηλεκτρικών και ηλεκτρονικών συσκευών. Για να βρείτε αυτά τα συστήματα συλλογής, επικοινωνήστε με τις τοπικές σας αρχές, ή με το σημείο που αγοράσατε το προϊόν. Κάθε νοικοκυριό παίζει σημαντικό ρόλο στην ανάκτηση και ανακύκλωση των παλιών συσκευών.

Η σωστή τελική διάθεση της χρησιμοποιημένης συσκευής συμβάλλει στην πρόληψη πιθανών αρνητικών συνεπειών για το περιβάλλον και την ανθρώπινη υγεία.

### Συμμόρφωση με την Οδηγία RoHS

Το προϊόν που έχετε προμηθευτεί συμμορφώνεται με την Οδηγία RoHS της ΕΕ (2011/65/ΕΕ). Δεν περιέχει επιβλαβείς και απαγορευμένες ουσίες που καθορίζονται στην Οδηγία αυτή.



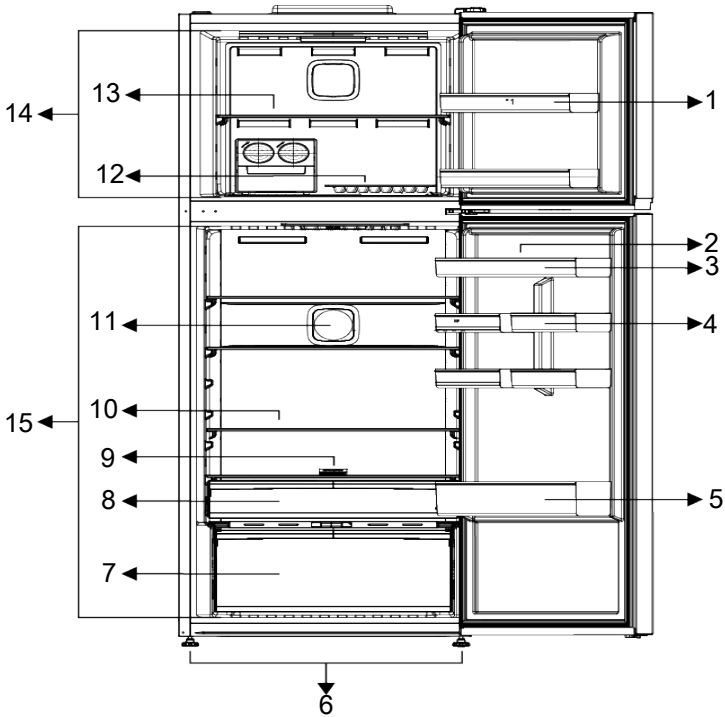
### Πληροφορίες για τη συσκευασία

Τα υλικά συσκευασίας του προϊόντος κατασκευάζονται από ανακυκλώσιμα υλικά σύμφωνα με τους Εθνικούς μας Περιβαλλοντικούς Κανονισμούς. Μην απορρίπτετε τα υλικά συσκευασίας μαζί με οικιακά ή άλλου είδους απορρίμματα. Μεταφέρετέ τα στα σημεία συλλογής υλικών συσκευασίας τα οποία έχουν καθοριστεί από τις τοπικές αρχές.



### 3 Το ψυγείο σας

EL



- |   |  |
|---|--|
| 1 *Ράφια πόρτας θαλάμου καταψύκτη   | 2 Αυγοθήκη                               |
| 3 *Ράφια πόρτας θαλάμου συντήρησης  | 4 *Μικρά ράφια πόρτας θαλάμου συντήρησης |
| 5 *Ράφι μπουκαλιών  | 6 Ρυθμιζόμενα πόδια                      |
| 7 Συρτάρι λαχανικών, διαχωριστικό συρταριού λαχανικών και φίλτρο αιθυλενίου | 8 Συρτάρι γαλακτοκομικών (έντονης ψύξης) |
| 9 Φίλτρο  | 10 *Γυάλινα ράφια θαλάμου συντήρησης     |
| 11 Ανεμιστήρας  | 12 *Icematic/ κουτί φύλαξης πάγου        |
| 13 Γυάλινο ράφι θαλάμου καταψύκτη   | 14 Θάλαμος καταψύκτη                     |
| 15 Θάλαμος συντήρησης   |  |

**\*Προαιρετικός εξοπλισμός:** Οι εικόνες στο παρόν εγχειρίδιο χρήσης είναι σχηματικές και ενδέχεται να μη συμφωνούν ακρι-

βώς με το προϊόν που έχετε. Αν το προϊόν δεν περιλαμβάνει τα σχετικά εξαρτήματα, οι πληροφορίες αφορούν άλλα μοντέλα.

### 4 Εγκατάσταση



Διαβάστε πρώτα την ενότητα "Οδηγίες Ασφαλείας"!

## 4.1 Σωστή θέση εγκατάστασης

Για την εγκατάσταση του προϊόντος επικοινωνήστε με το Εξουσιοδοτημένο Σέρβις. Για να προετοιμάσετε το προϊόν για εγκατάσταση, δείτε τις πληροφορίες στο χειρίδιο χρήσης και βεβαιωθείτε ότι οι παροχές ρεύματος και νερού συμμορφώνονται με τις απαιτήσεις. Αν όχι, καλέστε έναν ηλεκτρολόγο και υδραυλικό για να διαμορφώσετε τις παροχές όπως χρειάζεται.



### ΠΡΟΕΙΔΟΠΟΙΗΣΗ:

Ο κατασκευαστής δεν φέρει ευθύνη για τυχόν ζημιές που μπορεί να προκληθούν από εργασίες που διενεργούνται από μη εξουσιοδοτημένα άτομα.



### ΠΡΟΕΙΔΟΠΟΙΗΣΗ:

Το καλώδιο παροχής ρεύματος του προϊόντος πρέπει να είναι αποσυνδεδεμένο κατά την εγκατάσταση. Το αντίθετο μπορεί να οδηγήσει σε θάνατο ή σοβαρούς τραυματισμούς!



### ΠΡΟΕΙΔΟΠΟΙΗΣΗ:

Αν το προϊόν δεν χωράει να περάσει από την πόρτα του δωματίου εγκατάστασης, αφαιρέστε την πόρτα και γυρίστε το προϊόν στο πλάι: αν αυτό δεν αρκεί, επικοινωνήστε με την εξουσιοδοτημένη υπηρεσία σέρβις.

- Τοποθετήστε το προϊόν πάνω σε μία επίπεδη επιφάνεια, για να αποφύγετε τη δημιουργία κραδασμών.
- Τοποθετήστε το προϊόν τουλάχιστον 30 cm μακριά από σόμπα, συσκευή κουζίνας και παρόμοιες πηγές θερμότητας και τουλάχιστον 5 cm από ηλεκτρικούς φούρνους.
- Μην εκθέτετε το προϊόν σε άμεση ηλιακή ακτινοβολία και μην το φυλάσσετε σε περιβάλλον με υγρασία.
- Το προϊόν χρειάζεται επαρκή κυκλοφορία αέρα για να λειτουργεί αποδοτικά. Αν το προϊόν πρόκειται να τοποθετηθεί μέσα σε εσοχή τοίχου, μην παραλείψετε να αφήσετε ελεύθερη απόσταση τουλάχιστον 5

cm ανάμεσα στο προϊόν και την οροφή, τον πίσω τοίχο και τους πλευρικούς τοίχους.

- Ελέγξτε αν υπάρχει στη θέση του το εξάρτημα διασφάλισης της απόστασης από τον πίσω τοίχο (αν παρέχεται με το προϊόν).
- Αν το εξάρτημα δεν είναι διαθέσιμο, ή αν έχει χαθεί ή πέσει, ρυθμίστε τη θέση του προϊόντος έτσι ώστε να παραμένει διάκενο τουλάχιστον 5 cm ανάμεσα στην πίσω επιφάνεια του προϊόντος και τον τοίχο του δωματίου. Ο ελεύθερος χώρος στην πίσω πλευρά είναι σημαντικός για την αποδοτική λειτουργία του προϊόντος.

## 4.2 Σύνδεση στο ηλεκτρικό ρεύμα



Μη χρησιμοποιείτε επεκτάσεις ή πολύπριζα για την σύνδεση στην παροχή ρεύματος.



Αν το καλώδιο ρεύματος έχει υποστεί ζημιά, πρέπει να αντικατασταθεί από Εξουσιοδοτημένο Σέρβις.



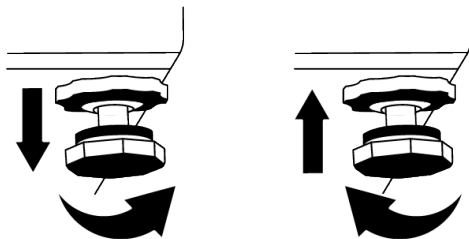
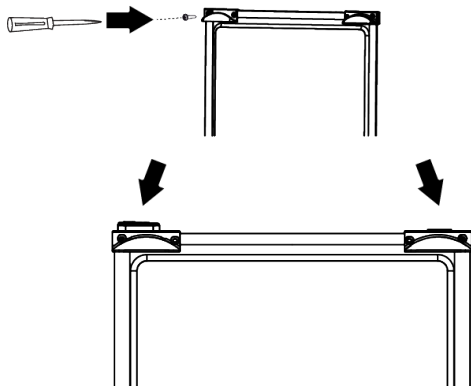
Όταν τοποθετείτε δύο ψυγεία το ένα δίπλα στο άλλο, αφήστε απόσταση τουλάχιστον 4 cm ανάμεσα στις δύο μονάδες.

- Η εταιρία μας δεν φέρει ευθύνη για τυχόν βλάβες λόγω χρήσης χωρίς γείωση ή χωρίς παροχή ρεύματος που συμμορφώνεται με τους εθνικούς κανονισμούς.
- Το φισ του καλωδίου ρεύματος πρέπει να είναι εύκολα προσβάσιμο μετά την εγκατάσταση.
- Μη χρησιμοποιείτε πολύπριζο με ή χωρίς καλώδιο επέκτασης ανάμεσα στην πρίζα και το ψυγείο.

## 4.3 Τοποθέτηση των πλαστικών σφηνών

Χρησιμοποιήστε τους πλαστικούς αποστάτες που παρέχονται με το προϊόν για να διατηρείται επαρκής ελεύθερος χώρος ανάμεσα στο προϊόν και τον τοίχο.

1. Για να τοποθετήσετε τις σφήνες, αφαιρέστε τις βίδες από τη συσκευή και χρησιμοποιήστε τις βίδες που παρέχονται μαζί με τις σφήνες.
2. Τοποθετήστε 2 πλαστικές σφήνες στο κάλυμμα εξαερισμού όπως φαίνεται στην εικόνα.



EL

#### 4.5 Προειδοποίηση για θερμές επιφάνειες

Τα πλευρικά τοιχώματα του προϊόντος διαθέτουν σωλήνες ψύξης για την ενίσχυση του συστήματος ψύξης. Αυτές οι επιφάνειες ενδέχεται να διατρέχονται από υγρό υψηλής πίεσης, το οποίο θερμαίνει τις επιφάνειες των πλευρικών τοιχωμάτων. Αυτό αποτελεί μέρος της φυσιολογικής λειτουργίας και δεν απαιτείται σέρβις. Προσέχετε κατά την επαφή με αυτές τις επιφάνειες.

#### 4.4 Ρύθμιση των ποδιών

Αν το προϊόν δεν είναι οριζόντιο και σε ευσταθή θέση, ρυθμίστε τα μπροστινά ρυθμιζόμενα πόδια του, περιστρέφοντάς τα δεξιόστροφα ή αριστερόστροφα.

### 5 Προετοιμασία



Διαβάστε πρώτα την ενότητα "Οδηγίες Ασφαλείας"!

#### 5.1 Τρόποι εξοικονόμησης ενέργειας



Η σύνδεση του προϊόντος με ηλεκτρονικά συστήματα εξοικονόμησης ενέργειας είναι επιβλαβής, καθώς μπορεί να προκαλέσει ζημιά στο προϊόν.

- Αυτή η ψυκτική συσκευή δεν προορίζεται για χρήση ως εντοιχιζόμενη συσκευή.
- Μην αφήνετε τις πόρτες του ψυγείου ανοιχτές για μεγάλα χρονικά διαστήματα.
- Μην τοποθετείτε θερμά τρόφιμα ή ποτά μέσα στο ψυγείο.
- Μη γεμίζετε υπερβολικά το ψυγείο: η παρεμπόδιση της εσωτερικής ροής αέρα θα μειώσει την ικανότητα ψύξης.
- Αφού δεν θα υπάρχει απευθείας διείσδυση θερμού και υγρού αέρα στη συσκευή σας όταν δεν ανοίγουν οι πόρτες, η συσκευή σας θα βελτιστοποιήσει την λειτουργία της σε συνθήκες επαρκείς για την προστασία των τροφίμων σας. Στις περιπτώσεις αυτές, λειτουργίες και επί μέρους μονάδες όπως ο συμπιεστής, ο ανεμιστήρας, ο θερμοαντήρας, το σύστημα απόψυξης, ο φωτισμός, η οθόνη κλπ. θα λειτουργούν σύμφωνα με τις ανάγκες, με την ελάχιστη κατανάλωση ενέργειας.
- Σε περίπτωση που υπάρχουν πολλαπλές επιλογές, τα γυάλινα ράφια θα πρέπει να τοποθετούνται με τέτοιο τρόπο ώστε να μην εμποδίζουν τις εξόδους αέρα στο πίσω τοίχωμα, κατά προτίμηση με τις


εξόδους αέρα να παραμένουν κάτω από το γυάλινο ράφι. Αυτός ο συνδυασμός μπορεί να βοηθήσει στη βελτίωση της κατανόμης του αέρα και σε καλύτερη ενεργειακή απόδοση.

- Συνιστάται ιδιαίτερα η χρήση του κάτω συρταριού κατά τη φύλαξη τροφίμων.
- Τα τρόφιμα θα πρέπει να αποθηκεύονται στα συρτάρια του θαλάμου συντήρησης για να εξασφαλιστεί η εξοικονόμηση ενέργειας και η διατήρηση των τροφίμων σε καλύτερες συνθήκες.


## 5.2 Πρώτη χρήση

Πριν χρησιμοποιήσετε το ψυγείο σας, βεβαιωθείτε πως έχουν γίνει οι απαραίτητες προετοιμασίες σύμφωνα με τις οδηγίες στις ενότητες "Ασφάλεια και οδηγίες σχετικά με το περιβάλλον" και "Εγκατάσταση".


- Αφήστε το προϊόν σε λειτουργία για 6 ώρες χωρίς να τοποθετήσετε τρόφιμα μέσα και μην ανοίξετε την πόρτα του, εκτός αν αυτό είναι απολύτως απαραίτητο.
- Η αλλαγή θερμοκρασίας που προκαλείται από το άνοιγμα και κλείσιμο της πόρτας κατά τη χρήση του προϊόντος μπορεί κανονικά να έχει σαν συνέπεια συμπύκνωση πάνω σε ράφια της πόρτας/του κυρίως σώματος και σε γυάλινες συσκευασίες που είναι τοποθετημένες μέσα στο προϊόν.


 Θα ακουστεί ένας ήχος όταν ο συμπιεστής τεθεί σε λειτουργία. Είναι φυσιολογικό να παράγονται θόρυβοι στο προϊόν ακόμα και αν ο συμπιεστής δεν λειτουργεί, καθώς μπορεί να υπάρχει συμπιεσμένο υγρό και αέριο μέσα στο ψυκτικό σύστημα.

## 6 Χειρισμός του προϊόντος

 Διαβάστε πρώτα την ενότητα "Οδηγίες Ασφαλείας"!

- Μη χρησιμοποιείτε κανενός είδους μηχανικά εργαλεία ή οποιαδήποτε άλλα εργαλεία που δεν συνιστώνται από τον κατασκευαστή για να επιταχύνετε την διαδικασία απόψυξης.

 Είναι φυσιολογικό να είναι θερμές οι μπροστινές άκρες του ψυγείου. Η θέρμανση αυτών των περιοχών είναι μέρος του σχεδιασμού με σκοπό την αποτροπή συμπύκνωσης.

 Σε κάποια μοντέλα, ο πίνακας ενδείξεων απενεργοποιείται αυτόματα 1 λεπτό μετά το κλείσιμο της πόρτας. Ενεργοποιείται ξανά όταν ανοίχτεί η πόρτα ή όταν πατηθεί οποιοδήποτε κουμπί.

## 5.3 Κατηγορία κλίματος και ορισμοί

Παρακαλούμε ανατρέξτε στην πληροφορία Κατηγορία κλίματος (Climate Class) πάνω στην πινακίδα στοιχείων της συσκευής σας. Μία από τις ακόλουθες πληροφορίες έχει εφαρμογή στη συσκευή σας σύμφωνα με την κατηγορία κλίματος.

- **SN:** Μακροπρόθεσμα εύκρατο κλίμα: Αυτή η ψυκτική συσκευή έχει σχεδιαστεί για χρήση σε θερμοκρασίες περιβάλλοντος μεταξύ 10 °C και 32 °C.
- **N:** Εύκρατο κλίμα: Αυτή η ψυκτική συσκευή έχει σχεδιαστεί για χρήση σε θερμοκρασίες περιβάλλοντος μεταξύ 16°C και 32 °C.
- **ST:** Υποτροπικό κλίμα: Αυτή η ψυκτική συσκευή έχει σχεδιαστεί για χρήση σε θερμοκρασίες περιβάλλοντος μεταξύ 16°C και 38°C.
- **T:** Τροπικό κλίμα: Αυτή η ψυκτική συσκευή έχει σχεδιαστεί για χρήση σε θερμοκρασίες περιβάλλοντος μεταξύ 16°C και 43°C.

- Μη χρησιμοποιείτε μέρη του ψυγείου σας όπως η πόρτα ή τα συρτάρια για στήριξη ή για να πατάτε πάνω τους. Αυτό μπορεί να προκαλέσει ανατροπή του προϊόντος ή βλάβη στα εξαρτήματά του.
- Το προϊόν θα πρέπει να χρησιμοποιείται μόνο για αποθήκευση τροφίμων.

- Κλείστε την βαλβίδα νερού αν βρίσκεστε μακριά από το σπίτι (π.χ. σε διακοπές) και δεν πρόκειται να χρησιμοποιήσετε το Icematic ή τον διανομέα νερού για μεγάλο χρονικό διάστημα. Διαφορετικά, ενδέχεται να υπάρξουν διαρροές νερού.

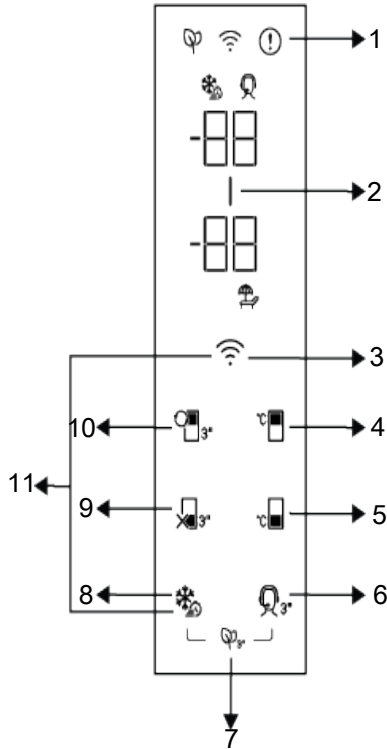
#### **Αποσύνδεση του προϊόντος από την πρίζα**

- Αν δεν πρόκειται να χρησιμοποιήσετε το προϊόν για μεγάλο διάστημα, αποσυνδέστε το από την πρίζα.

- Αφαιρέστε τα τρόφιμα για να αποφύγετε δυσσομία.
- Περιμένετε να λιώσει ο πάγος, καθαρίστε το εσωτερικό και αφήστε το να στεγνώσει, αφήστε τις πόρτες ανοικτές για να αποφύγετε ζημιά στα εσωτερικά πλαστικά μέρη του κορμού του προϊόντος.

## 7 Πίνακας ελέγχου του προϊόντος

EL



- |   |   |
|---|---|
| 1 Error Status Indicator                          | 2 Energy Saving (Display Off) Indicator                 |
| 3 *Wireless Key                                   | 4 Freezer Compartment Temperature Setting Key           |
| 5 Cooler Compartment Temperature Setting Key      | 6 *Support Service Key                                  |
| 7 *Deodoriser Module Key                          | 8 *Quick Freezing Key/Handle Light Function Setting Key |
| 9 *Cooler Compartment Off (Vacation) Function Key | 10 *Compartment Conversion Key                          |
| 11 Key for Resetting Wireless Connection Settings |   |



Read the "Safety Instructions" section first.

\*Optional: Shown functions are optional, there may be differences of shape and location in functions found on your appliance's indicator panel.

Auditory and visual functions on the indicator panel will assist you in using the refrigerator.

### 1. Error Condition Indicator

This indicator will be active when your refrigerator cannot perform adequate cooling or in case of any sensor error. "E" will be displayed on the freezer

compartment temperature indicator and figures such as 1,2,3... will be displayed on the cooler compartment temperature indicator. These figures provide information to the authorized service on the error that has occurred.

Exclamation mark may be displayed for a while when you load warm food to the freezer compartment or keep the door open for a long period of time. This is not a fault, this warning will be removed when the food is cooled down or when any key is pressed.

## 2. Energy Saving (Display Off) Indicator

Energy saving function is enabled automatically and the energy saving symbol lights up when the door of the product is not opened or closed for some period of time. When the energy saving function is active, all symbols on the screen except the energy saving symbol will be turned off. When the energy saving function is active, if you press any key or open the door, the energy saving function will be deactivated and the symbols on the screen will return to normal. The energy saving function is a function activated ex-factory and cannot be cancelled.

## 3. \*Wireless Key

When the key is pressed for a long period (3 seconds), the wireless connection symbol on the display/screen flashes slowly (at 0.5 second intervals). The home network is initialized on the product this way.

After achieving wireless connection with the product, wireless connection symbol illuminates continuously.

When the initial connection is established, you may activate/deactivate the connection with a short press on this key. The wireless connection symbol will flash quickly (at 0.2 second intervals) until the connection is established. When the connection is active, the wireless network symbol will illuminate continuously.

If the connection cannot be established for a long period, check your connection settings and refer to the "Troubleshooting" section provided in the user manual.

HomeWhiz application will be used for wireless connection. The installation steps are described on the application during installation.

You may access the application by reading the QR code available on the HomeWhiz label on the product. Application is offered through App Store for IOS devices, and through Play Store for Android devices. Visit <https://www.homewhiz.com/> address for detailed information.

## 4. The Freezer Compartment

### Temperature Setting Key

Temperature setting is made for freezer compartment. Pressing this key will enable the freezer compartment temperature to be set at -18,-19,-20,-21,-22,-23,-24 Celsius.

## 5. Cooler Compartment Temperature

### Setting Key

Allows setting of temperature for cooler compartment. When this key is pressed on, the cooler compartment temperature is set to 8,7,6,5,4,3,2 and 1 Celsius values

## 6. \*Support Service Key

Press this key for 3 seconds to activate/deactivate the support service. Detailed information on the support service is provided in the "Support Service Feature" section.

## 7. \*Deodoriser Module Key

Press this key for 3 seconds to activate/deactivate the deodoriser feature. When the deodoriser feature is active, the LED on the respective key is illuminated. When the feature is active, the deodoriser module will be operated periodically.

## 8.Quick Freezing Key

When the quick freezing key is pressed, the LED on the key is illuminated and the quick freezing function will be activated. Freezer compartment temperature is set to -27 Celsius. Press the key again to cancel the function. The quick freezing function will be cancelled automatically. To freeze a large

amount of fresh food, press the quick freezing key before placing the food in the freezer compartment.

### \*Handle Light Function Setting Key

Handle light function might be switched between open and closed modes by pressing the quick freezing key for 3 seconds. In the closed mode, the handle light is only activated when the appliance door is opened and it goes out after a while after the door is closed. In the open mode, the handle light is activated when the appliance door is opened, the handle light stays on dimly after a while after the door is closed. The handle light function is set to the ex-factory closed mode.

### 9.\*Cooler Compartment Off (Vacation)

#### Function Key

Press the key for 3 seconds to activate the vacation function. Vacation mode is activated and the vacation symbol is illuminated. “- -” will be displayed on the Cooler Compartment temperature indicator and the cooler compartment does not

actively perform cooling. You should not keep your food in the cooler compartment if you activate this function. The other compartments continue to cool according to temperatures set before. Press the key for 3 seconds again to cancel this function.

### 10. \*Compartment Conversion Key

Pressing compartment conversion key for 3 seconds, the freezer compartment switches between cooler, off and freezer modes, respectively. If it is operated as the cooler compartment, the temperature of the compartment will be set as 4 Celsius. In the off mode, compartment temperature indicator shall display “- -”.

### 11. Key for Resetting Wireless

#### Connection Settings

To reset the wireless connection settings, press on Quick freezing and Wireless connection keys simultaneously for 3 seconds. All user information recorded previously are removed on a product where wireless connection settings are reset/ restored to factory defaults.

## 8 Χρήση της συσκευής



Διαβάστε πρώτα την ενότητα "Οδηγίες Ασφαλείας".

### 8.1 Φύλαξη τροφίμων στον θάλαμο καταψύκτη και στον θάλαμο συντήρησης

#### Φύλαξη τροφίμων στον θάλαμο καταψύκτη

- Μπορείτε να ενεργοποιήσετε τη λειτουργία Ταχεία Κατάψυξη 4-6 ώρες πριν τη λειτουργία κατάψυξης, και να επιτύχετε ταχύτερη ψύξη των τροφίμων.
- Αφήνετε τα ζεστά φαγητά να κρυσώσουν σε θερμοκρασία δωματίου πριν τα τοποθετήσετε μέσα στο θάλαμο καταψύκτη.
- Τα τρόφιμα προς κατάψυξη πρέπει να τα χωρίζετε σε μερίδες ανάλογα με την ποσότητα που θα καταναλωθεί, και να τα καταψύχετε σε ξεχωριστές συσκευασίες.
- Συνιστάται να συσκευάζετε τα τρόφιμα πριν τα τοποθετήσετε μέσα στον καταψύκτη.

- Για να αποφύγετε τη λήξη των χρόνων αποθήκευσης, σημειώνετε στη συσκευασία την ημερομηνία κατάψυξης, το χρονικό όριο και το όνομα του τροφίμου, σύμφωνα με τις περιόδους αποθήκευσης των διαφόρων τροφίμων.
- Καταναλώνετε γρήγορα τα τρόφιμα που έχετε αποψύξει. Τα τρόφιμα που έχουν αποψυχθεί δεν επιτρέπεται να καταψύχονται πάλι εκτός αν μαγειρευτούν πρώτα. Δεν είναι ασφαλές να καταναλώνετε νωπά τρόφιμα που επανακαταψύχθηκαν χωρίς να τα μαγειρέψετε αφού αποψύχθηκαν.
- Όταν καταψύχετε νωπά τρόφιμα, αποφεύγετε να τα φέρνετε σε επαφή με ήδη κατεψυγμένα τρόφιμα. Διαφορετικά, τα ήδη κατεψυγμένα τρόφιμα θα αποψυχθούν.



### Φύλαξη κατεψυγμένων προϊόντων

- Πάντα τηρείτε τις οδηγίες του παραγωγού των τροφίμων σε σχέση με το χρόνο που μπορείτε να φυλάξετε τα τρόφιμα. Μην υπερβαίνεται τον χρόνο που καθορίζεται στις οδηγίες αυτές!
- Για να προστατεύετε την ποιότητα των τροφίμων, διατηρείτε όσο το δυνατόν μικρότερο το διάστημα μεταξύ της αγοράς και τη φύλαξης των τροφίμων.
- Αγοράζετε κατεψυγμένα τρόφιμα που έχουν αποθηκευτεί σε  $-18\text{ }^{\circ}\text{C}$  ή χαμηλότερες θερμοκρασίες.
- Αποφεύγετε να αγοράζετε τρόφιμα των οποίων οι συσκευασίες καλύπτονται από πάγο κλπ. Αυτό σημαίνει ότι το προϊόν ενδεχομένως είχε αποψυχθεί εν μέρει και

καταψυχθεί πάλι. Η θερμοκρασία έχει μεγάλες επιπτώσεις στην ποιότητα των τροφίμων.

- Μην υπερβαίνετε τον χρόνο φύλαξης που συνιστά ο παραγωγός των τροφίμων. Αφαιρείτε από τον καταψύκτη μόνο όσα τρόφιμα χρειάζεστε.
- Εκτός από περιπτώσεις όπου υπάρχουν ακραίες συνθήκες στο περιβάλλον, αν το προϊόν σας (στον πίνακα συνιστώμενων τιμών ρύθμισης) έχει ρυθμιστεί στις προβλεπόμενες τιμές ρύθμισης, τα τρόφιμα διατηρούν τη φρεσκάδα τους για περισσότερο χρόνο, τόσο στον θάλαμο συντήρησης όσο και στον θάλαμο καταψύκτη.
- Αν ο θάλαμος συντήρησης ρυθμιστεί σε χαμηλότερη θερμοκρασία, τα νωπά φρούτα και λαχανικά μπορεί να είναι εν μέρει παγωμένα.

### Πίνακας συνιστώμενων τιμών ρύθμισης

Ρύθμιση θαλάμου καταψύκτη	Ρύθμιση θαλάμου συντήρησης	Παρατηρήσεις
$-18\text{ }^{\circ}\text{C}$	$4\text{ }^{\circ}\text{C}$	Αυτή είναι η προεπιλεγμένη, συνιστώμενη ρύθμιση. Αυτή η ρύθμιση συνιστάται αν η θερμοκρασία περιβάλλοντος είναι κάτω από $30\text{ }^{\circ}\text{C}$ .
$-20, -22$ ή $-24\text{ }^{\circ}\text{C}$	$4\text{ }^{\circ}\text{C}$	Αυτές οι ρυθμίσεις συνιστώνται για θερμοκρασίες περιβάλλοντος που υπερβαίνουν τους $30\text{ }^{\circ}\text{C}$ .
Ταχεία Κατάψυξη	$4\text{ }^{\circ}\text{C}$	Χρησιμοποιείτε αυτή τη λειτουργία όταν θέλετε να καταψύξετε τρόφιμα σε σύντομο χρόνο. Όταν τελειώσει αυτή η λειτουργία, οι ρυθμίσεις της συσκευής θα επανέλθουν στην προηγούμενες που είχατε επιλέξει.
$-18\text{ }^{\circ}\text{C}$ ή χαμηλότερη θερμοκρασία	$2\text{ }^{\circ}\text{C}$	Χρησιμοποιήστε αυτές τις ρυθμίσεις αν πιστεύετε ότι ο θάλαμος συντήρησης δεν είναι αρκετά παγωμένος λόγω της θερμοκρασίας περιβάλλοντος ή επειδή ανοίγει συχνά η πόρτα της συσκευής.

### Ταχεία κατάψυξη

1. Ενεργοποιήστε τη λειτουργία ταχείας κατάψυξης 24 ώρες πριν τοποθετήσετε τα νωπά τρόφιμα.
2. Μετά από 24 ώρες από το πάτημα του κουμπιού, τοποθετήστε τα τρόφιμα που θέλετε να καταψύξετε στο πρώτο ράφι με τη μεγαλύτερη ικανότητα κατάψυξης.
3. Η λειτουργία ταχείας κατάψυξης θα απενεργοποιηθεί αυτόματα μετά από 24 ώρες.

### Ταχεία κατάψυξη

1. Ενεργοποιήστε τη λειτουργία ταχείας κατάψυξης 24 ώρες πριν τοποθετήσετε τα νωπά τρόφιμα.

2. Μετά από 24 ώρες από το πάτημα του κουμπιού, τοποθετήστε τα τρόφιμα που θέλετε να καταψύξετε στο πρώτο ράφι με τη μεγαλύτερη ικανότητα κατάψυξης.
3. Η λειτουργία ταχείας κατάψυξης θα απενεργοποιηθεί αυτόματα μετά από 48 ώρες.

### Λεπτομέρειες Καταψύκτη

Σύμφωνα με τα πρότυπα IEC 62552, ο καταψύκτης θα πρέπει να έχει την ικανότητα να διατηρεί παγωμένα 4,5 kg τροφίμων σε θερμοκρασία  $-18\text{ }^{\circ}\text{C}$  ή χαμηλότερη, για θερμοκρασία δωματίου  $25\text{ }^{\circ}\text{C}$ , σε 24 ώρες για κάθε 100 λίτρα χωρητικότητας του θαλάμου καταψύκτη.

Τα τρόφιμα μπορούν να διατηρούνται για μεγάλα χρονικά διαστήματα μόνο σε θερμοκρασίες μικρότερες των  $-18\text{ }^{\circ}\text{C}$ .

Μπορείτε να διατηρήσετε τα τρόφιμα φρέσκα για μήνες (στον καταψύκτη σε θερμοκρασίες  $-18^{\circ}\text{C}$  ή χαμηλότερες).

Τα τρόφιμα προς κατάψυξη δεν πρέπει να έρχονται σε επαφή με τα ήδη κατεψυγμένα τρόφιμα, ώστε να αποφευχθεί η μερική απόψυξη των δεύτερων.

Βράστε τα λαχανικά και φιλτράρετε το νερό για να επεκτείνετε τη διάρκεια φύλαξης. Τοποθετήστε τα τρόφιμα σε αεροστεγείς συσκευασίες μετά το φιλτράρισμα και τοποθετήστε τα στον καταψύκτη. Μπανάνες, ντομάτες, μαρούλι, σέλινο, βραστά αυγά, πατάτες και παρόμοια τρόφιμα δεν θα πρέπει να καταψύχονται. Σε περίπτωση που αυτά τα τρόφιμα καταψυχθούν, μόνο η διατροφική αξία και οι οργανοληπτικές τους δυνατότητες θα επηρεαστούν αρνητικά. Δεν υπάρχει πιθανότητα αλλοίωσης που θα μπορούσε να απειλήσει την ανθρώπινη υγεία.

### Τοποθέτηση των τροφίμων

**Ράφια θαλάμου καταψύκτη:** Διάφορα κατεψυγμένα τρόφιμα, όπως κρέας, ψάρια, παγωτό, λαχανικά κλπ.

**Ράφια θαλάμου συντήρησης:** Τρόφιμα σε δοχεία φύλαξης, πιάτα με κάλυμμα ή θήκες με κάλυμμα, αυγά (σε κλειστή θήκη)

**Ράφια πόρτας θαλάμου συντήρησης:** Μικρά και συσκευασμένα τρόφιμα ή ποτά

**Συρτάρι λαχανικών:** Λαχανικά και φρούτα

**Διαμέρισμα φρέσκων τροφίμων:** Ντελικατέσεν (τρόφιμα για πρωινό, προϊόντα κρέατος που θα καταναλωθούν σύντομα)

### Φύλαξη τροφίμων στον θάλαμο συντήρησης

- Οι θερμοκρασίες των θαλάμων αυξάνονται έντονα αν η πόρτα του θαλάμου ανοίγει και κλείνει συχνά και διατηρείται ανοιχτή για μεγάλο χρονικό διάστημα. Αυτό μπορεί να μειώσει τη διάρκεια ζωής των τροφίμων και να προκαλέσει αλλοίωσή τους.
- Για να μην προκαλούνται δυσοσμία και αλλαγές γεύσης μέσα στη συσκευή, τα τρόφιμα θα πρέπει να φυλάσσονται σε κλειστούς περιέκτες.
- Μην αποθηκεύετε υπερβολικές ποσότητες τροφίμων στο ψυγείο. Για να επιτύχετε καλύτερη και ομοιόμορφη ψύξη, τοπο-

θετείτε τα τρόφιμα σε αποστάσεις μεταξύ τους ώστε να μπορεί να κυκλοφορεί ανάμεσά τους ο αέρας.

- Διευκολύνετε τη ροή του αέρα αφήνοντας διάκενα ανάμεσα στα τρόφιμα και το εσωτερικό τοίχωμα. Αν στηρίζετε τρόφιμα στο πίσω τοίχωμα, τα τρόφιμα αυτά μπορούν να παγώσουν.
- Αφήνετε τα μαγειρεμένα ζεστά φαγητά να κρυώσουν σε θερμοκρασία δωματίου πριν τα τοποθετήσετε μέσα στο ψυγείο. Κατόπιν μπορείτε να τοποθετήσετε το προς ψύξη φαγητό στα κάτω ράφια του ψυγείου σας. Μην τοποθετείτε τα προς ψύξη φαγητά κοντά σε τρόφιμα που μπορούν να αλλοιωθούν εύκολα.
- Αποψύχετε τα κατεψυγμένα σας τρόφιμα μέσα στον θάλαμο συντήρησης. Με αυτόν τον τρόπο μπορείτε να ψύξετε τον θάλαμο συντήρησης με χρήση των κατεψυγμένων τροφίμων και να εξοικονομήτε ενέργεια.
- Η φύλαξη στο ψυγείο μη ώριμων τροπικών φρούτων (όπως μάνγκο, ποικιλίες πεπονιών, παπάγια, μπανάνες, ανανάς) μπορεί να επιταχύνει τη διαδικασία ωρίμανσης. Αυτό δεν συνιστάται, γιατί θα έχει ως αποτέλεσμα μικρότερο χρόνο διατήρησης.
- Θα πρέπει να φυλάσσετε κρεμμύδια, σκόρδα, τζίντζερ και άλλα ριζώδη λαχανικά σε σκοτεινές και δροσερές συνθήκες, όχι μέσα στο ψυγείο.
- Αν διαπιστώσετε ότι ένα τρόφιμο μέσα στο ψυγείο έχει αλλοιωθεί, πετάξτε το και καθαρίστε τα αξεσουάρ που έχουν έρθει σε επαφή μεταξύ τους.
- Για να ψύξετε γρήγορα φαγητά όπως σουπές και ραγού, που μαγειρεύονται μέσα σε μεγάλες καταρόλες, μπορείτε να τα τοποθετείτε μέσα στο ψυγείο χωρίζοντάς τα σε άλλα δικά σας ρηχά δοχεία.
- Μην τοποθετείτε μη συσκευασμένα τρόφιμα κοντά σε αυγά.
- Φυλάσσετε τα φρούτα και τα λαχανικά ξεχωριστά και αποθηκεύετε κάθε είδος μαζί (για παράδειγμα μήλα με μήλα, καρότα με καρότα).
- Αφαιρείτε τα πράσινα λαχανικά από τις πλαστικές σακούλες και τοποθετείτε τα μέσα στο ψυγείο αφού τα τυλίξετε σε χαρτί κουζίνας ή χαρτί στεγνώματος. Αν

πλένετε τα τρόφιμα αυτά πριν τα τοποθετήσετε στο ψυγείο, μην ξεχνάτε να τα στεγνώνετε πριν τη φύλαξη.

- Μπορείτε και να δημιουργήσετε ένα υγρό περιβάλλον και να παρέχετε ροή αέρα διατηρώντας φρούτα και λαχανικά που είναι ευπαθή σε ξήρανση, σε διάτρητες ή μη στεγανές πλαστικές σακούλες.
- Εκτός από περιπτώσεις όπου υπάρχουν ακραίες συνθήκες στο περιβάλλον, αν το προϊόν σας (στον πίνακα συνιστώμενων

τιμών ρύθμισης) έχει ρυθμιστεί στις προβλεπόμενες τιμές ρύθμισης, τα τρόφιμα διατηρούν τη φρεσκάδα τους για περισσότερο χρόνο, τόσο στον θάλαμο συντήρησης όσο και στον θάλαμο καταψύκτη.

**Φυλάσσετε διαφορετικά τρόφιμα σε διαφορετικές θέσεις, ανάλογα με τις ιδιότητές τους.**

Τροφή	Θέση
Αυγό	Ράφι πόρτας
Γαλακτοκομικά προϊόντα (βούτυρο, τυρί)	Αν διατίθεται, σε διαμέρισμα μηδέν βαθμών Κελσίου (για τρόφιμα πρωινού)
Φρούτα, λαχανικά και φυλλώδη είδη	Διαμέρισμα φρούτων-λαχανικών, διαμέρισμα λαχανικών ή διαμέρισμα EverFresh+ (αν διατίθεται)
Νωπό κρέας, πουλερικά, ψάρια, λουκάνικα κλπ. Μαγειρεμένα τρόφιμα	Αν διατίθεται, σε διαμέρισμα μηδέν βαθμών Κελσίου (για τρόφιμα πρωινού)
Τρόφιμα έτοιμα για σερβίρισμα, συσκευασμένα προϊόντα, τρόφιμα σε κονσέρβα και πίκλες	Πάνω ράφια ή ράφι πόρτας
Αναψυκτικά, μπουκάλια, μπαχαρικά και σνακ	Ράφι πόρτας

## 8.2 Αντικατάσταση του λαμπτήρα φωτισμού

Καλέστε το Εξουσιοδοτημένο Σέρβις όταν πρέπει να αντικατασταθεί ο λαμπτήρας/η μονάδα LED που χρησιμοποιείται για φωτισμό του ψυγείου σας.

Ο λαμπτήρας (οι λαμπτήρες) που χρησιμοποιούνται σε αυτή την συσκευή δεν μπορούν να χρησιμοποιηθούν για οικιακό φωτισμό. Ο σκοπός αυτού του λαμπτήρα είναι να βοηθά τον χρήστη να τοποθετεί τρόφιμα μέσα στο ψυγείο / καταψύκτη με ασφάλεια και άνεση.

## 8.3 Ειδοποίηση ανοιχτής πόρτας

Το σύστημα ειδοποίησης ανοιχτής πόρτας του ψυγείου σας μπορεί να διαφέρει, ανάλογα με το μοντέλο.

### Έκδοση 1:

Αν η πόρτα του προϊόντος παραμένει ανοικτή για ορισμένο χρονικό διάστημα (μεταξύ 60 s και 120 s), παράγεται ένα ηχητικό σήμα προειδοποίησης. Ανάλογα με το μοντέλο του προϊόντος, μπορεί να εμφανίζεται επιπλέον και ένα οπτικό σήμα προειδοποίησης (αναβοσβήσιμο φωτισμού). Αν κλείσει-

τε την πόρτα της συσκευής ή πατήσετε ένα κουμπί στην οθόνη της συσκευής, αν υπάρχει, ο ήχος προειδοποίησης θα σταματήσει.

### Έκδοση 2:

Αν η πόρτα της συσκευής παραμένει ανοιχτή για ένα ορισμένο χρονικό διάστημα (μεταξύ 60 s και 120 s), παράγεται η ειδοποίηση ανοιχτής πόρτας. Η ειδοποίηση ανοιχτής πόρτας παράγεται με βαθμιαία αυξανόμενη ένταση. Πρώτα, αρχίζει να ακούγεται μια ηχητική προειδοποίηση. Μετά από 4 λεπτά, αν η πόρτα δεν έχει κλείσει ακόμα, ενεργοποιείται μια ηχητική προειδοποίηση (αναβοσβήσιμο φωτισμού). Η ειδοποίηση ανοιχτής πόρτας θα καθυστερήσει για ένα ορισμένο χρονικό διάστημα (μεταξύ 60 s και 120 s) αν πατηθεί οποιοδήποτε πλήκτρο στην οθόνη του προϊόντος, αν υπάρχει. Κατόπιν η διαδικασία θα αρχίσει πάλι. Όταν κλειστεί η πόρτα της συσκευής, η ειδοποίηση ανοιχτής πόρτας θα ακυρωθεί.

## 8.4 Αντιστροφή της πλευράς ανοίγματος των θυρών

Η πλευρά ανοίγματος των θυρών του ψυγείου σας μπορεί να αντιστραφεί, ενδεχομένως για να ταιριάζει στη θέση όπου θέλε-

τε να το τοποθετήσετε. Όταν χρειάζεται να

γίνει αυτό, θα πρέπει οπωσδήποτε τα καλέσετε το πλησιέστερο Εξουσιοδοτημένο Σέρβις.

## 9 Χαρακτηριστικά Προϊόντος

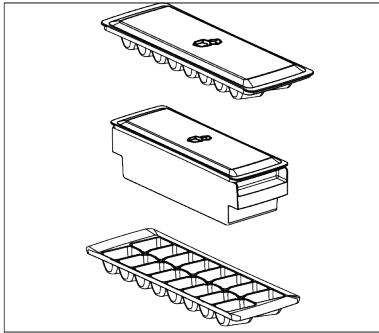
### 9.1 Χώρος φύλαξης πάγου

#### Δοχείο πάγου

Η παγοθήκη σας επιτρέπει να παίρνετε εύκολα πάγο από το ψυγείο.

#### Χρήση της παγοθήκης

1. Αφαιρέστε την παγοθήκη από τον θάλαμο καταψύκτη.
2. Γεμίστε την παγοθήκη με νερό.
3. Τοποθετήστε την παγοθήκη στον θάλαμο κατάψυξης. Τα παγάκια θα είναι έτοιμα μετά από περίπου δύο ώρες.
4. Αφαιρέστε την παγοθήκη από τον θάλαμο κατάψυξης και λυγίστε την ελαφρά πάνω από το σκεύος όπου θέλετε να σερβίρετε τον πάγο. Ο πάγος θα πέσει εύκολα στο σκεύος όπου θέλετε να τον σερβίρετε.



### 9.2 Συρτάρι λαχανικών

Το συρτάρι λαχανικών του ψυγείου έχει σχεδιαστεί για να διατηρεί τα λαχανικά φρέσκα διατηρώντας την υγρασία. Για αυτό τον λόγο, η γενική κυκλοφορία ψυχρού αέρα είναι εντονότερη μέσα στο συρτάρι λαχανικών. Φυλάξτε φρούτα και λαχανικά σε αυτό τον θάλαμο. Κρατήστε τα πράσινα λαχανικά και τα φρούτα σε διαφορετικά σημεία μεταξύ τους, για να μεγιστοποιήσετε τον χρόνο ζωής τους.

### 9.3 Τεχνολογίες συρταριού λαχανικών

#### Μπλε φως

Τα φρούτα και λαχανικά που έχουν αποθηκευτεί στα συρτάρια λαχανικών που φωτίζονται με μπλε φως συνεχίζουν τη φωτοσύνθεσή τους λόγω της επίδρασης του μήκους κύματος του μπλε φωτός και έτσι διατηρούν το περιεχόμενό τους σε βιταμίνες.

#### VitaminZone

Τα φρούτα και λαχανικά που έχουν αποθηκευτεί σε συρτάρια λαχανικών που φωτίζονται με τεχνολογία VitaminZone διατηρούν τις βιταμίνες τους για μεγαλύτερο χρονικό διάστημα χάρη στους κύκλους με μπλε, πράσινο, κόκκινο φως και σκοτάδι, που μιμούνται έναν ημερήσιο κύκλο φωτός.

Όταν η πόρτα του ψυγείου σας ανοίξει κατά την σκοτεινή περίοδο της τεχνολογίας VitaminZone, το ψυγείο σας θα το αντιληφθεί αυτόματα και θα φωτίσει το συρτάρι λαχανικών με μπλε, πράσινο ή κόκκινο φως αντίστοιχα, για την άνεσή σας. Αφού κλείσετε την πόρτα του ψυγείου, η σκοτεινή περίοδος θα συνεχιστεί, αντιπροσωπεύοντας τη νύχτα σε έναν ημερήσιο κύκλο.

### 9.4 Περιοχή Ψυχρής φύλαξης Γαλακτοκομικών Προϊόντων

#### Συρτάρι έντονης ψύξης

Το συρτάρι έντονης ψύξης μπορεί να επιτύχει χαμηλότερες θερμοκρασίες στο διαμέρισμα συντήρησης. Χρησιμοποιείτε αυτό το συρτάρι για να φυλάσσετε αλλαντικά και άλλα ευπαθή τρόφιμα (σαλάμι, λουκάνικα κλπ.) και γαλακτοκομικά προϊόντα που χρειάζονται χαμηλότερη θερμοκρασία φύλαξης ή για να φυλάσσετε κρέας, κοτόπουλο ή ψάρια που προορίζονται για κατανάλωση σε σύντομο χρονικό διάστημα. Αυτό το συρτάρι δεν είναι κατάλληλο για φύλαξη φρούτων και λαχανικών.

## 9.5 AeroFresh

Είναι ένα σύστημα διανομής του αέρα που προσφέρει ομοιόμορφη κατανομή της θερμοκρασίας. Με την κυκλοφορία του αέρα εξασφαλίζεται η ομοιόμορφη κατανομή της θερμοκρασίας στο διαμέρισμα φύλαξης νωπών τροφίμων, και οι διακυμάνσεις της θερμοκρασίας διατηρούνται σε χαμηλά επίπεδα. Δεν υπάρχει απευθείας φύσημα αέρα πάνω από τα τρόφιμα και αυτό βοηθά να μειώνεται η απώλεια υγρασίας. Με αυτόν τον τρόπο διατηρείται η φρεσκάδα των τροφίμων που φυλάσσονται στον θάλαμο συντήρησης του ψυγείου. Με αυτόν τον τρόπο τα τροφίματά σας φυλάσσονται σε πιο σταθερές θερμοκρασίες και μειώνεται η επαφή με αέρα. Αποτρέπεται το στέγνωμα και η συρρίκνωση των τροφίμων από απώλεια υγρασίας και εξασφαλίζεται φρεσκάδα που διαρκεί περισσότερο.

## 9.6 Συρτάρι λαχανικών ελεγχόμενης υγρασίας

### Full fresh

Με τη δυνατότητα συρταριού λαχανικών ελεγχόμενης υγρασίας, η υγρασία των λαχανικών και των φρούτων διατηρείται υπό έλεγχο και τα τρόφιμα διατηρούνται φρέσκα για μεγαλύτερα χρονικά διαστήματα.

Συνιστούμε να τοποθετείτε τα φυλλώδη λαχανικά όπως το μαρούλι, το σπανάκι καθώς και παρόμοια λαχανικά που είναι ευαί-

σθητα στην απώλεια υγρασίας, σε όσο το δυνατόν πιο οριζόντια θέση μέσα στο συρτάρι λαχανικών και όχι πάνω στις ρίζες τους σε όρθια θέση.

Κατά την τοποθέτηση των λαχανικών, τοποθετείτε τα μεγάλα και βαριά λαχανικά στο κάτω μέρος και τα ελαφριά και μαλακά στο πάνω, λαμβάνοντας υπόψιν τα ειδικά βάρη των λαχανικών.

Ποτέ μην αφήνετε τα λαχανικά μέσα στις πλαστικές σακούλες τους μέσα στο συρτάρι λαχανικών. Η διατήρηση των λαχανικών σε πλαστικές σακούλες οδηγεί στην ταχύτερη σήψη των λαχανικών.

Σε περιπτώσεις όπου δεν προτιμάται η επαφή των λαχανικών μεταξύ τους, χρησιμοποιείτε υλικά συσκευασίας όπως χαρτί το οποίο έχει μεγάλο πορώδες, για λόγους υγιεινής.

Μην τοποθετείτε φρούτα με μεγάλη παραγωγή αέριου αιθυλενίου όπως αχλάδια, βερίκοκα, ροδάκινα και κυρίως μήλα στο ίδιο συρτάρι λαχανικών με άλλα λαχανικά και φρούτα. Το αέριο αιθυλένιο το οποίο εκπέμπεται από αυτά τα φρούτα μπορεί να προκαλέσει την ταχύτερη ωρίμανση άλλων λαχανικών και φρούτων και να προκαλέσει την δημιουργία μούχλας σε μικρότερο χρονικό διάστημα.

## 10 Συντήρηση και καθαρισμός



### ΠΡΟΕΙΔΟΠΟΙΗΣΗ:

Διαβάστε πρώτα την ενότητα "Οδηγίες Ασφαλείας".



### ΠΡΟΕΙΔΟΠΟΙΗΣΗ:

Αποσυνδέστε το ψυγείο από το ρεύμα πριν το καθαρίσετε.

- Μη χρησιμοποιείτε για τον καθαρισμό του προϊόντος αιχμηρά εργαλεία ή εργαλεία που χαράζουν. Μη χρησιμοποιείτε ουσίες όπως οικιακά προϊόντα καθαρισμού, σαπούνι, απορρυπαντικά, πετρέλαιο, βενζίνη, αραιωτικό χρωμάτων, οινόπνευμα, κεριά κλπ.

- Θα πρέπει να αφαιρείτε την σκόνη από την σχάρα αερισμού στο πίσω μέρος του προϊόντος τουλάχιστον μία φορά το χρόνο (χωρίς να ανοίξετε το κάλυμμα). Καθαρίζετε το προϊόν με ένα ελαφρά υγρό πανί.
- Φροντίστε να κρατήσετε το νερό μακριά από το κάλυμμα του λαμπτήρα και από άλλα ηλεκτρικά εξαρτήματα.
- Καθαρίστε την πόρτα της συσκευής με ένα ελαφρώς υγρό πανί. Αφαιρέστε όλα τα περιεχόμενα για να αφαιρέσετε τα ράφια της πόρτας και του κορμού. Αφαιρέστε τα ράφια της πόρτας τραβώντας τα

προς τα πάνω. Καθαρίστε και στεγνώστε τα ράφια, και στην συνέχεια τοποθετήστε τα στην θέση τους από το πάνω μέρος.

- Μη χρησιμοποιείτε χλωρίνη ή παρόμοια καθαριστικά προϊόντα στην εξωτερική επιφάνεια και στα επιχρωμιωμένα εξαρτήματα του προϊόντος. Η χλωρίνη θα οδηγήσει σε δημιουργία σκουριάς σε αυτές τις μεταλλικές επιφάνειες.
- Μη χρησιμοποιείτε αιχμηρά εργαλεία και εργαλεία που χαράζουν, σαπουνί, προϊόντα καθαρισμού οικιακής χρήσης, απορρυπαντικά, πετρέλαιο, βενζίνη, βερνίκι και παρόμοιες ουσίες, για να προστατεύσετε τα πλαστικά εξαρτήματα από παραμόρφωση και από αφαίρεση τυπωμένων ενδείξεων. Χρησιμοποιείτε χλιαρό νερό και ένα απαλό ύφασμα για τον καθαρισμό, και στην συνέχεια στεγνώνετε τη συσκευή.
- Σε μοντέλα χωρίς λειτουργία No-Frost, μπορεί να προκύψει σχηματισμός σταγονιδίων νερού και δημιουργία πάγου με πάχος έως ενός δαχτύλου στο πίσω τοίχωμα του θαλάμου καταψύκτη. Μην το καθαρίζετε, και ποτέ μη χρησιμοποιήσετε λάδι ή παρόμοια υλικά.
- Χρησιμοποιείτε ένα ελαφρώς υγρό ύφασμα από μικροΐνες για να καθαρίσετε την εξωτερική επιφάνεια του προϊόντος. Σφουγγάρια και άλλα είδη καθαριστικών υφασμάτων μπορεί να προκαλέσουν γρατσουνιές.
- Για να καθαρίσετε όλα τα αφαιρούμενα εξαρτήματα κατά τον καθαρισμό της εσωτερικής επιφάνειας του προϊόντος, πλύνετε αυτά τα μέρη με ένα ήπιο διάλυμα το οποίο αποτελείται από σαπουνί, νερό και μαγειρική σόδα. Καθαρίστε και σκουπίστε προσεκτικά. Αποτρέψτε την επαφή νερού με τα εξαρτήματα φωτισμού και τον πίνακα ελέγχου.

## 11 Αντιμετώπιση προβλημάτων

Ελέγξτε αυτή τη λίστα πριν απευθυνθείτε στο σέρβις. Αν το κάνετε αυτό, θα εξοικονομήσετε χρόνο και χρήματα. Αυτή η λίστα περιλαμβάνει συχνά παράπονα που δεν έχουν σχέση με ελαττωματική εργασία ή



### ΠΡΟΣΟΧΗ:

Μη χρησιμοποιείτε ξύδι, μετουσιωμένο οινόπνευμα ή άλλα αλκοολούχα υλικά σε οποιαδήποτε εσωτερική επιφάνεια.

### Εξωτερικές επιφάνειες από ανοξείδωτο χάλυβα

Χρησιμοποιήστε ένα καθαριστικό που δεν χαράζει και εφαρμόστε το με ένα απαλό ύφασμα που δεν αφήνει χνούδι. Για να γυαλίσετε την επιφάνεια, σκουπίστε την απαλά με ένα ύφασμα μικροΐνων που έχετε υγράνει ελαφρά με νερό και χρησιμοποιήστε σαμούα για στεγνό γυάλισμα. Πάντα να ακολουθείτε τα νερά στον ανοξείδωτο χάλυβα.

### Καταπολέμηση δυσάρεστων οσμών

Το προϊόν έχει κατασκευαστεί χωρίς την χρήση προϊόντων που προκαλούν δυσοσμία. Ωστόσο, η διατήρηση τροφίμων σε ακατάλληλα τμήματα του προϊόντος και ο λανθασμένος καθαρισμός των εσωτερικών επιφανειών μπορεί να οδηγήσουν σε δυσοσμία.

- Για να το αποφύγετε, καθαρίζετε το εσωτερικό του με ανθρακούχο νερό κάθε 15 μέρες.
- Διατηρείτε τα τρόφιμα σε σφραγισμένα δοχεία, επειδή μικροοργανισμού από δοχεία που φυλάσσονται σε μη σφραγισμένα δοχεία θα προκαλέσουν την ανάπτυξη δυσάρεστων οσμών.
- Μη διατηρείτε μέσα στο ψυγείο τρόφιμα που έχουν αλλοιωθεί ή λήξει.

### Προστασία των πλαστικών επιφανειών

Αν χυθεί λάδι σε πλαστικές επιφάνειες, αυτό μπορεί να προκαλέσει ζημιά στην επιφάνεια και θα πρέπει να καθαριστεί άμεσα με χλιαρό νερό.

υλικά. Ορισμένες λειτουργίες που αναφέρονται εδώ ίσως να μην έχουν εφαρμογή στο προϊόν που έχετε.

### Το ψυγείο δεν λειτουργεί.

- Το φιν ρευματοληψίας δεν έχει εισαχθεί πλήρως. >>> Συνδέστε το ώστε να εισέλθει πλήρως στην πρίζα.



- Έχει καεί η ασφάλεια που συνδέεται στην πρίζα που τροφοδοτεί το προϊόν ή η γενική ασφάλεια. >>> Ελέγξτε την ασφάλεια.

### **Η συμπίκνωση του πλευρικού τοιχώματος του θαλάμου συντήρησης (MULTI ZONE, COOL CONTROL και FLEXI ZONE).**

- Η πόρτα ανοίγεται πολύ συχνά. >>> Προσέχετε να μην ανοίγετε πολύ συχνά την πόρτα του προϊόντος.
- Το περιβάλλον είναι πολύ υγρό. >>> Μην εγκαθιστάτε το προϊόν σε υγρό περιβάλλον.
- Τρόφιμα που περιέχουν υγρά φυλάσσονται σε μη σφραγισμένα δοχεία. >>> Διατηρείτε σε σφραγισμένα δοχεία τα τρόφιμα που περιέχουν υγρά.
- Η πόρτα του προϊόντος έχει μείνει ανοικτή. >>> Μην αφήνετε την πόρτα του προϊόντος ανοικτή για μεγάλα χρονικά διαστήματα.
- Ο θερμοστάτης έχει ρυθμιστεί σε πολύ κρύα θερμοκρασία. >>> Ρυθμίστε τον θερμοστάτη σε κατάλληλη θερμοκρασία.

### **Ο συμπιεστής δεν λειτουργεί.**

- Σε περίπτωση αιφνίδιας διακοπής ρεύματος ή αποσύνδεσης του φιν ρευματοληψίας από την πρίζα και επανασύνδεσής του, η πίεση αερίου στο ψυκτικό σύστημα του προϊόντος δεν είναι ισορροπημένη, με αποτέλεσμα να ενεργοποιείται η θερμική προστασία του συμπιεστή. Το προϊόν θα αρχίσει πάλι να λειτουργεί μετά από περίπου 6 λεπτά. Αν η λειτουργία του προϊόντος δεν ξεκινήσει πάλι μετά από αυτό το χρονικό διάστημα, απευθυνθείτε στο σέρβις.
- Η απόψυξη είναι ενεργή. >>> Αυτό είναι φυσιολογικό για προϊόν με πλήρως αυτόματη απόψυξη. Η απόψυξη λαμβάνει χώρα περιοδικά.
- Το προϊόν δεν έχει συνδεθεί στην πρίζα. >>> Βεβαιωθείτε ότι έχει συνδεθεί το καλώδιο ρεύματος.
- Η ρύθμιση θερμοκρασίας είναι λανθασμένη. >>> Επιλέξτε την κατάλληλη ρύθμιση θερμοκρασίας.
- Έγινε διακοπή ρεύματος. >>> Το προϊόν θα συνεχίσει να λειτουργεί κανονικά όταν αποκατασταθεί η παροχή ρεύματος.

### **Ο θόρυβος λειτουργίας του ψυγείου αυξάνεται κατά τη χρήση.**

- Η απόδοση λειτουργίας του προϊόντος μπορεί να διαφέρει, ανάλογα με τις μεταβολές της θερμοκρασίας περιβάλλοντος. Αυτό είναι φυσιολογικό και δεν οφείλεται σε βλάβη.

### **Το ψυγείο τίθεται σε λειτουργία πολύ συχνά ή όχι για πολύ χρόνο.**

- Το καινούργιο προϊόν μπορεί να είναι μεγαλύτερο από το προηγούμενο. Οι μεγαλύτερες συσκευές τίθενται σε λειτουργία για μεγαλύτερα χρονικά διαστήματα.
- Η θερμοκρασία του χώρου μπορεί να είναι υψηλή. >>> Το προϊόν κανονικά θα λειτουργεί για μεγαλύτερα χρονικά διαστήματα αν είναι μεγαλύτερη η θερμοκρασία του χώρου.
- Το προϊόν μπορεί να έχει συνδεθεί πρόσφατα στην πρίζα ή μπορεί να τοποθετήθηκαν νέα τρόφιμα στο εσωτερικό του. >>> Θα χρειαστεί περισσότερος χρόνος για να φθάσει το προϊόν τη ρυθμισμένη θερμοκρασία αν συνδέθηκε πρόσφατα στην πρίζα ή τοποθετήθηκαν νέα τρόφιμα στο εσωτερικό του. Αυτό είναι φυσιολογικό.
- Μπορεί να τοποθετήθηκαν πρόσφατα μεγάλες ποσότητες ζεστών τροφίμων μέσα στο προϊόν. >>> Μην τοποθετείτε ζεστά τρόφιμα μέσα στο προϊόν.
- Οι πόρτες του προϊόντος ανοίγονταν συχνά ή έμειναν ανοικτές πολλή ώρα. >>> Ο ζεστός αέρας που εισέρχεται, θα κάνει το προϊόν να λειτουργεί περισσότερη ώρα. Μην ανοίγετε την πόρτα υπερβολικά συχνά.
- Η πόρτα του καταψύκτη ή του ψυγείου μπορεί να μην έχει κλείσει καλά. >>> Ελέγξτε ότι οι πόρτες έχουν κλείσει καλά.
- Το προϊόν μπορεί να έχει ρυθμιστεί σε πολύ χαμηλή θερμοκρασία. >>> Ρυθμίστε μεγαλύτερη θερμοκρασία και περιμένετε να επιτύχει το προϊόν τη ρυθμισμένη θερμοκρασία.
- Η στεγανοποίηση της πόρτας του θαλάμου συντήρησης ή καταψύκτη μπορεί να είναι λερωμένη, φθαρμένη, σπασμένη ή να μην εδράζει σωστά. >>> Καθαρίστε ή αντικαταστήστε τη στεγανοποίηση. Αν η στεγανοποίηση της πόρτας του προϊ-

όντος έχει υποστεί ζημιά / φθορά, το προϊόν θα λειτουργεί για μεγαλύτερα διαστήματα, για να διατηρήσει την τρέχουσα θερμοκρασία.

**Η θερμοκρασία του θαλάμου καταψύκτη είναι πολύ χαμηλή, αλλά η θερμοκρασία του θαλάμου συντήρησης είναι επαρκής.**

- Η θερμοκρασία του θαλάμου καταψύκτη έχει ρυθμιστεί σε πολύ χαμηλή τιμή. >>> Ρυθμίστε τη θερμοκρασία του θαλάμου καταψύκτη σε υψηλότερη τιμή και ελέγξτε πάλι.

**Η θερμοκρασία του θαλάμου συντήρησης είναι πολύ χαμηλή, αλλά η θερμοκρασία του θαλάμου καταψύκτη είναι επαρκής.**

- Η θερμοκρασία του θαλάμου συντήρησης έχει ρυθμιστεί σε πολύ χαμηλή τιμή. >>> Ρυθμίστε τη θερμοκρασία του θαλάμου συντήρησης σε υψηλότερη τιμή και ελέγξτε πάλι.

**Τα τρόφιμα που φυλάσσονται στα συρτάρια του θαλάμου συντήρησης είναι παγωμένα.**

- Η θερμοκρασία του θαλάμου συντήρησης έχει ρυθμιστεί σε πολύ χαμηλή τιμή. >>> Ρυθμίστε τη θερμοκρασία του θαλάμου συντήρησης σε υψηλότερη τιμή και ελέγξτε πάλι.

**Η θερμοκρασία στον θάλαμο συντήρησης ή καταψύκτη είναι πολύ υψηλή.**

- Η θερμοκρασία του θαλάμου συντήρησης έχει ρυθμιστεί σε πολύ υψηλή τιμή. >>> Η ρύθμιση θερμοκρασίας του θαλάμου συντήρησης έχει επίδραση στη θερμοκρασία του θαλάμου καταψύκτη. Αλλάξτε τη θερμοκρασία του θαλάμου συντήρησης ή καταψύκτη και περιμένετε έως ότου η θερμοκρασία του αντίστοιχου τμήματος φθάσει σε ικανοποιητικό επίπεδο.
- Οι πόρτες του προϊόντος ανοίγονταν συχνά ή έμεναν ανοικτές πολλή ώρα. >>> Μην ανοίγετε τις πόρτες της συσκευής υπερβολικά συχνά.
- Η πόρτα μπορεί να είναι μισάνοικτη. >>> Κλείστε τελείως την πόρτα.
- Το προϊόν μπορεί να έχει συνδεθεί πρόσφατα στην πρίζα ή μπορεί να τοποθετήθηκαν νέα τρόφιμα στο εσωτερικό

του. >>> Αυτό είναι φυσιολογικό. Θα χρειαστεί περισσότερος χρόνος για να φθάσει το προϊόν τη ρυθμισμένη θερμοκρασία, αν συνδέθηκε πρόσφατα στην πρίζα ή τοποθετήθηκαν νέα τρόφιμα στο εσωτερικό του.

- Μπορεί να τοποθετήθηκαν πρόσφατα μεγάλες ποσότητες ζεστών τροφίμων μέσα στο προϊόν. >>> Μην τοποθετείτε ζεστά τρόφιμα μέσα στο προϊόν.

**Κραδασμοί ή θόρυβοι.**

- Η επιφάνεια δεν είναι επίπεδη ή δεν είναι ανθεκτική >>> Αν το προϊόν ταλαντεύεται όταν το μετακινείτε ελαφρά, ρυθμίστε τις βάσεις του για να ο ισοροπηθείτε. Επίσης βεβαιωθείτε ότι το δάπεδο έχει αρκετή φέρουσα ικανότητα ώστε να αντέχει το βάρος του προϊόντος.
- Είδη που έχουν τοποθετηθεί πάνω στο προϊόν μπορεί να προκαλούν θόρυβο. >>> Αφαιρέστε οποιαδήποτε είδη έχουν τοποθετηθεί πάνω στο προϊόν.
- Το προϊόν παράγει θόρυβο ροής υγρού, ψεκασμού κλπ.
- Οι αρχές λειτουργίας του προϊόντος περιλαμβάνουν ροή υγρού και αερίου. >>> Αυτό είναι φυσιολογικό και δεν οφείλεται σε βλάβη.

**Ακούγεται φύσημα αέρα από το προϊόν.**

- Το προϊόν χρησιμοποιεί ανεμιστήρα ως μέρος της διαδικασίας ψύξης. Αυτό είναι φυσιολογικό και δεν οφείλεται σε βλάβη.

**Υπάρχει συμπύκνωση στα εσωτερικά τοιχώματα του προϊόντος.**

- Ο θερμός ή υγρός καιρός μπορεί να αυξήσει τη συσσώρευση πάγου και τη συμπύκνωση. Αυτό είναι φυσιολογικό και δεν οφείλεται σε βλάβη.
- Οι πόρτες του προϊόντος ανοίγονταν συχνά ή έμεναν ανοικτές πολλή ώρα. >>> Μην ανοίγετε τις πόρτες του προϊόντος πολύ συχνά, αν υπάρχει ανοικτή πόρτα κλείστε την.
- Η πόρτα μπορεί να είναι μισάνοικτη. >>> Κλείστε τελείως την πόρτα.



## Υπάρχει συμπύκνωση στις εξωτερικές επιφάνειες του προϊόντος ή ανάμεσα στις πόρτες του.

- Ο καιρός μπορεί να είναι υγρός, αυτό είναι φυσιολογικό φαινόμενο σε υγρό καιρό. >>> Η συμπύκνωση θα πάψει όταν μειωθεί η υγρασία.

## Δυσσομία στο εσωτερικό του προϊόντος.

- Το προϊόν δεν καθαρίζεται τακτικά. >>> Καθαρίζετε το εσωτερικό τακτικά με σφουγγάρι, χλιαρό νερό και διάλυμα μαγειρικής σόδας σε νερό.
- Ορισμένα δοχεία και υλικά συσκευασίας μπορεί να προκαλέσουν τη δημιουργία οσμών. >>> Χρησιμοποιείτε δοχεία και υλικά συσκευασίας που δεν παράγουν οσμές.
- Τα τρόφιμα τοποθετήθηκαν σε μη σφραγισμένα δοχεία. >>> Διατηρείτε τα τρόφιμα σε σφραγισμένα δοχεία. Από τα μη σφραγισμένα τρόφιμα μπορεί να εξαπλωθούν μικροοργανισμοί που προκαλούν δυσσομία.
- Απομακρύνετε από το προϊόν τυχόν τρόφιμα που έχουν λήξει ή αλλοιωθεί.

## Η πόρτα του προϊόντος δεν κλείνει.

- Ενδεχομένως η πόρτα εμποδίζεται από συσκευασίες τροφίμων. >>> Αλλάξτε θέση σε τυχόν είδη που εμποδίζουν τις πόρτες του προϊόντος.
- Το προϊόν δεν στέκεται σε τελείως όρθια θέση πάνω στο δάπεδο. >>> Ρυθμίστε τα πόδια του προϊόντος για να το ισοροπήσετε σωστά.

- Η επιφάνεια δεν είναι επίπεδη ή δεν είναι ανθεκτική >>> Βεβαιωθείτε ότι η επιφάνεια είναι επίπεδη και αρκετά ανθεκτική για το βάρος του προϊόντος.

## Το συρτάρι λαχανικών έχει σφηνώσει.

- Τα τρόφιμα μπορεί να έρχονται σε επαφή με το πάνω τμήμα του συρταριού. >>> Αναδιατάξτε τα τρόφιμα μέσα στο συρτάρι.

## Θερμοκρασία στην επιφάνεια του προϊόντος

- Μπορεί να παρατηρείται υψηλή θερμοκρασία ανάμεσα στις δύο πόρτες του προϊόντος, στα πλευρικά πλαίσια και στην πίσω σχάρα, όταν είναι σε ενεργή λειτουργία το προϊόν. Αυτό αποτελεί μέρος της φυσιολογικής λειτουργίας και δεν απαιτείται σέρβις.

## Ο ανεμιστήρας συνεχίζει να λειτουργεί όταν είναι ανοικτή η πόρτα του προϊόντος.

- Ο ανεμιστήρας μπορεί να παραμένει σε λειτουργία όταν είναι ανοικτή η πόρτα του θαλάμου καταψύκτη.



**ΠΡΟΕΙΔΟΠΟΙΗΣΗ:** Αν το πρόβλημα επιμένει αφού ακολουθήσετε τις οδηγίες στην ενότητα αυτή, επικοινωνήστε με τον τοπικό σας έμπορο ή με ένα Εξουσιοδοτημένο Σέρβις. Μην επιχειρήσετε να επισκευάσετε μόνοι σας το προϊόν. Αυτό είναι φυσιολογικό.

## ΑΠΟΠΟΙΗΣΗ ΕΥΘΥΝΩΝ / ΠΡΟΕΙΔΟΠΟΙΗΣΗ

Ορισμένα (απλά) προβλήματα μπορούν να αντιμετωπιστούν ικανοποιητικά από τον τελικό χρήστη χωρίς να προκύπτει κάποιο πρόβλημα ασφάλειας ή μη ασφαλής χρήσης, εφόσον οι διορθωτικές ενέργειες πραγματοποιούνται μέσα στα όρια και σύμφωνα με τις οδηγίες που ακολουθούν (δείτε την ενότητα "Εξ ιδίων επισκευή").

Επομένως, εκτός αν επιτρέπεται διαφορετικά στην παρακάτω ενότητα "Εξ ιδίων επισκευή", οι επισκευές θα πρέπει να ανατίθενται σε αναγνωρισμένους επαγγελματίες τεχνικούς επισκευών, για την αποφυγή προ-

βλημάτων όσον αφορά την ασφάλεια. Ένας αναγνωρισμένος επαγγελματίας τεχνικός επισκευών είναι ένας επαγγελματίας τεχνικός επισκευών στον οποίο έχει δοθεί από τον κατασκευαστή πρόσβαση στις οδηγίες και στον κατάλογο ανταλλακτικών του προϊόντος σύμφωνα με τις μεθόδους που περιγράφονται σε νομοθετικές πράξεις με βάση την Οδηγία 2009/125/EK.

**Ωστόσο, μόνο ο εκπρόσωπος σέρβις (δηλ. εξουσιοδοτημένοι επαγγελματίες τεχνικοί επισκευών) με τον οποίο μπορείτε να επικοινωνήσετε μέσω του αριθ-**

**μού τηλεφώνου που αναφέρεται στο εγχειρίδιο χρήσης/στην κάρτα εγγύησης ή μέσω του τοπικού σας εξουσιοδοτημένου καταστήματος μπορεί να παρέχει σέρβις σύμφωνα με τους όρους της εγγύησης. Επομένως, έχετε υπόψη σας ότι οι επισκευές από επαγγελματίες τεχνικούς επισκευών (οι οποίοι δεν είναι εξουσιοδοτημένοι από τη Grundig) θα καταστήσουν άκυρη την εγγύηση.**

### **Εξ ιδίων επισκευή**

Εξ ιδίων επισκευή μπορεί να γίνει από τον τελικό χρήστη όσον αφορά τα εξής ανταλλακτικά: λαβές θυρών, μεντεσέδες θυρών, δίσκοι, καλάθια και στεγανοποιήσεις πόρτας (ενημερωμένος κατάλογος είναι διαθέσιμος και στη διεύθυνση [support.grundig.com](http://support.grundig.com) από την 1η Μαρτίου 2021).

Επιπλέον, για τη διασφάλιση της ασφάλειας του προϊόντος και για την αποτροπή κινδύνου σοβαρού τραυματισμού, η αναφερθείσα εξ ιδίων επισκευή θα πρέπει γίνεται με τήρηση των οδηγιών στο εγχειρίδιο χρήστη σχετικά με την εξ ιδίων επισκευή ή των οδηγιών που είναι διαθέσιμες στη διεύθυνση [support.grundig.com](http://support.grundig.com). Για την ασφάλειά σας, αποσυνδέστε από την πρίζα το προϊόν πριν επιχειρήσετε οποιαδήποτε εξ ιδίων επισκευή.

Επισκευή και προσπάθειες επισκευής από τελικούς χρήστες για εξαρτήματα που δεν περιλαμβάνονται σε έναν τέτοιο κατάλογο και/ή χωρίς τήρηση των οδηγιών στα εγχειρίδια χρήση για εξ ιδίων επισκευή ή οι οποίες είναι διαθέσιμες στη διεύθυνση [support.grundig.com](http://support.grundig.com), μπορεί να δημιουργήσουν προβλήματα ασφάλειας που δεν μπορούν να αποδοθούν στη Grundig, και θα ακυρώσουν την εγγύηση του προϊόντος. Επομένως, συνιστάται ιδιαίτερα, οι τελικοί χρήστες να απέχουν από προσπάθειες διενέργειας επισκευών που δεν εμπίπτουν στον αναφερθέντα κατάλογο ανταλλακτικών, απευθυνόμενοι σε αυτές τις περιπτώσεις σε εξουσιοδοτημένους επαγγελματίες τεχνικούς επισκευών ή σε αναγνωρισμένους επαγγελματίες τεχνικούς επισκευών. Αντιθέτως, τέτοιου είδους προσπάθειες από τελικούς χρήστες μπορεί να προκαλέσουν προβλήματα ασφάλειας και

να προξενήσουν ζημιά στο προϊόν και κατά συνέπεια να προκαλέσουν πυρκαγιά, πλημμύρα, ηλεκτροπληξία και σοβαρό τραυματισμό.

Για παράδειγμα, αλλά χωρίς περιορισμό σε αυτές, οι ακόλουθες επισκευές πρέπει να ανατίθενται σε εξουσιοδοτημένους επαγγελματίες τεχνικούς επισκευών ή σε αναγνωρισμένους επαγγελματίες τεχνικούς επισκευών: επισκευές σε συμπιεστή, ψυκτικό κύκλωμα, κύρια πλακέτα, πλακέτα αντιστροφεία, πλακέτα οθόνης κλπ.

Ο κατασκευαστής/πωλητής δεν μπορεί να θεωρηθεί υπεύθυνος σε καμία περίπτωση μη συμμόρφωσης των τελικών χρηστών με τα οριζόμενα παραπάνω.

Ο χρόνος διαθεσιμότητας ανταλλακτικών για το ψυγείο που προμηθευτήκατε ανέρχεται σε 10 έτη. Στη διάρκεια αυτής της περιόδου θα υπάρχουν διαθέσιμα γνήσια ανταλλακτικά για τη σωστή λειτουργία του ψυγείου

Η ελάχιστη διάρκεια της εγγύησης του ψυγείου που προμηθευτήκατε είναι 24 μήνες.

Το προϊόν αυτό είναι εξοπλισμένο με πηγή φωτισμού ενεργειακής κλάσης "G".

Η πηγή φωτισμού στο προϊόν αυτό θα πρέπει να αντικαθίσταται μόνο από επαγγελματία τεχνικό επισκευών

## **Cuprins**

<b>1 Instrucțiuni de siguranța .....</b>	<b>94</b>
1.1 Utilizare destinată.....	94
1.2 Siguranța copiilor, a persoanelor vulnerabile și a animalelor de companie .....	94
1.3 Siguranța electrică .....	95
1.4 Manevrarea în siguranță .....	96
1.5 Siguranța instalației .....	96
1.6 Siguranța funcțională .....	98
1.7 Siguranța depozitării alimentelor ..	101
1.8 Siguranța legată de întreținere și curățare .....	102
1.9 Eliminarea produselor vechi .....	102
1.10 Date tehnice pentru Bluetooth și Wi-fi .....	103
<b>2 Instrucțiuni privind mediul .....</b>	<b>103</b>
2.1 Conformitatea cu Directiva DEEE și eliminarea deșeurilor.....	103
<b>3 Frigiderul dumneavoastră.....</b>	<b>105</b>
<b>4 Instalare .....</b>	<b>105</b>
4.1 Locul potrivit pentru instalare.....	106
4.2 Conexiunea electrică.....	106
4.3 Fixarea elementelor de fixare de tip pană din plastic .....	106
4.4 Ajustarea picioarelor frontale .....	107
4.5 Avertisment de suprafață fierbinte .....	107
<b>5 Pregătirea .....</b>	<b>107</b>
5.1 Modalități de reducere a consumului de energie electrică ..	107
5.2 Prima utilizare.....	108
5.3 Clasa climatică și definiții.....	108
<b>6 Operarea produsului.....</b>	<b>108</b>
<b>7 Panoul de control al produsului ..</b>	<b>109</b>
<b>8 Utilizarea produsului .....</b>	<b>111</b>
8.1 Păstrarea alimentelor în compartimentul congelator și frigider .....	111
8.2 Înlocuirea lămpii de iluminat .....	114
8.3 Alertă ușă deschisă.....	114
8.4 Schimbarea sensului de deschidere a ușii.....	115
<b>9 Caracteristicile produsului.....</b>	<b>115</b>

9.1 Zona de depozitare a gheții.....	115
9.2 Sertar pentru fructe și legume proaspete .....	115
9.3 Tehnologii sertar legume și fructe	115
9.4 Zona de depozitare la rece a produselor lactate.....	115
9.5 AeroFresh.....	116
9.6 Sertar legume fructe cu control al umidității.....	116

## **10 Întreținerea și curățarea .....**

## **11 Depanare .....**

## Vă rugăm ca mai întâi să citiți acest manual!

Stimate client/ă

**Vă rugăm să citiți acest manual înainte de a utiliza produsul.**

Vă mulțumim că ați ales acest Grundig produs. Am dori să obțineți eficiența optimă din acest produs de înaltă calitate care a fost fabricat cu tehnologie de ultimă generație. Pentru a face acest lucru, citiți cu atenție acest manual și orice alte documente furnizate, înainte de a utiliza produsul și păstrați-l ca referință.

Respectați toate informațiile și avertismentele din manualul de utilizare. În acest fel, vă veți proteja pe dumneavoastră și produsul dumneavoastră împotriva pericolelor care pot apărea.

Păstrați manualul de utilizare. Includeți acest manual împreună cu unitatea dacă o predați altcuiva.

**Următoarele simboluri sunt utilizate în manualul de utilizare:**



Pericol care poate duce la deces sau vătămare.



Informații importante sau sfaturi utile privind funcționarea.



Citiți manualul de utilizare.



Material combustibil, avertizare împotriva pericolului de incendiu.

NOTIFICARE Un pericol care poate provoca daune produsului sau mediului înconjurător

	
SUPPLIER'S NAME	MODEL IDENTIFIER → (*)
	

Informațiile despre model, așa cum sunt stocate în baza de date despre produse, pot fi accesate pe următorul site web căutând identificatorul de model (\*) aflat pe eticheta energetică.

<https://eprel.ec.europa.eu/>

## 1 Instrucțiuni de siguranța

Această secțiune include instrucțiunile de siguranță necesare pentru a preveni riscul de vătămare corporală sau daunele materiale.

Compania noastră nu răspunde de daunele care pot să apară dacă aceste instrucțiuni nu sunt respectate.

Operațiunile de instalare și reparare trebuie să fie realizate întotdeauna de către un service autorizat.

Utilizați doar piese de schimb și accesorii originale.

Piese de schimb originale pentru 10 ani, după data de achiziție a produsului.

Nu reparați și nu înlocuiți nicio componentă a produsului, cu excepția cazului în care este specificat în mod expres în manualul de utilizare.

Nu efectuați nicio modificare asupra produsului.

### 1.1 Utilizare destinată

Acest produs nu este adecvat pentru uzul comercial și nu trebuie utilizat altfel decât pentru utilizarea prevăzută. Acest produs este conceput pentru a fi utilizat în spații interioare, casă și în locuri similare.

De exemplu:

- În bucătăriile pentru personal ale magazinelor, birourilor și în alte medii de lucru,
- În ferme,
- În unitățile hotelurilor, motelurilor sau în alte facilități de cazare care sunt folosite de către clienți,
- În hostelurile sau alte medii similare,
- Pentru servicii de catering și alte aplicații non-retail similare.

Acest produs nu trebuie să fie folosit în medii deschise sau externe închise, precum nave, balcoane sau terase. Expunerea produsului la ploaie, zăpadă, lumina soarelui și vânt poate cauza un risc de incendiu.

### 1.2 Siguranța copiilor, a persoanelor vulnerabile și a animalelor de companie



- Acest produs poate să fie folosit de către copiii în vârstă de cel puțin 8 ani și de către persoanele cu capacități fizice, senzoriale sau mentale subdezvoltate sau lipsite de experiență și cunoștințe numai dacă sunt supravegheate sau

au fost instruite cu privire la folosirea aparatului într-un mod sigur pentru produs și în legătură cu pericolele asociate.

- Copiii cu vârste între 3 și 8 ani pot să scoată și să introducă produse din/în frigider.
- Produsele electrice sunt periculoase pentru copii și animalele de companie. Copiii și animalele de companie nu trebuie să se joace cu, să se urce pe produs sau să intre în produs.
- Curățarea și întreținerea de către utilizator nu trebuie efectuate de către copii, cu excepția cazului în care există cineva care îi supraveghează.
- Țineți ambalajele departe de copii. Risc de vătămare și sufocare.

Înainte de a elimina produsele vechi ce nu mai sunt folosite:

1. Scoateți ștecherul cablului de alimentare din priză de perete.
2. Tăiați cablul de alimentare și îndepărtați-l de aparat, împreună cu ștecărul.
3. Nu scoateți rafturile și sertarele din produs pentru a nu le permite copiilor să intre în acesta.
4. Scoateți ușile.

5. Depozitați produsul astfel încât să nu poată să se răstoarne.

6. Nu permiteți copiilor să se joace cu produsul casat.
- Nu eliminați produsul aruncându-l pe foc. Risc de explozie.
  - Dacă există o încuietoare pe ușa produsului, nu lăsați cheia la îndemâna copiilor.

### 1.3 Siguranța electrică

- Produsul nu trebuie conectat la priză în timpul operațiunilor de instalare, întreținere, curățare, reparare și transport.
- În cazul în care cablul de alimentare este deteriorat, acesta trebuie să fie înlocuit numai de către un service autorizat, pentru a elimina riscurile care pot să apară.
- Nu strângeți cablul de alimentare sub produs sau în spatele produsului. Nu puneți obiecte grele pe cablul de alimentare. Cablul de alimentare nu trebuie îndoit, strivit și nu trebuie să intre în contact cu nicio sursă de căldură.
- Nu folosiți un prelungitor, un triplu ștecăr sau un adaptor pentru a utiliza produsul.

- Prizele multiple portabile sau sursele de alimentare portabile se pot supraîncălzi, cauzând un incendiu. De aceea, nu poziționați un triplu ștecăr în spatele sau în apropierea produsului.
- Priza trebuie să fie ușor accesibilă. Dacă acest lucru nu este posibil, un mecanism ce respectă legislația în domeniul electricității și care deconectează toate conexiunile de la rețeaua de alimentare (siguranță, comutator, comutator principal etc.) trebuie să existe în instalația electrică.
- Nu atingeți priza cu mâinile ude.
- Atunci când decuplați aparatul, nu țineți de cablul de alimentare, ci de ștecher.
- Închideți întotdeauna ușile și nu țineți produsul de ușă atunci când îl transportați.
- În timp ce manevrați produsul, aveți grijă să nu deteriorați sistemul de răcire și țevile. Nu folosiți produsul dacă țevile sunt deteriorate; contactați un service autorizat.

### 1.5 Siguranța instalației

### 1.4 Manevrarea în siguranță

- Asigurați-vă că scoateți aparatul din priză înainte de a transporta produsul.
- Acest produs este greu; nu îl manevrați singuri. Vă puteți accidenta dacă produsul cade peste dumneavoastră. Nu loviți și nu scăpați produsul în timp ce îl transportați.
- Pentru instalarea produsului, contactați un service autorizat. Pentru a pregăti produsul pentru utilizare, consultați informațiile din manualul de utilizare și asigurați-vă că racordarea la utilitățile de apă și electricitate este conformă. Dacă nu este conformă, contactați un electrician și un instalator calificat. În caz contrar pot interveni situații de electrocutare, incendiu, probleme cu produsul sau vătămări.
- Produsul este conceput pentru a fi utilizat la o altitudine de maxim 2000 de metri deasupra nivelului mării.
- Verificați eventualele deteriorări ale produsului înainte de instalare. Înainte de a instala produsul, verificați dacă este deteriorat.

- Folosiți întotdeauna echipament de protecție personală (mănuși etc.) în timpul instalării, întreținerii și reparării produsului. Risc de accidentare!
- Așezați produsul pe o suprafață curată, plană și dură și echilibrați-l cu ajutorul picioarelor reglabile (prin răsucirea picioarelor din față spre dreapta sau spre stânga). În caz contrar, frigiderul poate să se răstoarne și să cauzeze vătămări.
- Produsul trebuie să fie instalat într-un loc uscat și bine ventilat. Sub produs, nu trebuie să existe mochete, covoare sau alte articole de acoperit. Din cauza ventilării insuficiente, acestea pot să cauzeze un incendiu!
- Nu blocați și nu acoperiți orificiile de ventilare. În caz contrar, consumul de energie crește și produsul poate fi deteriorat.
- Când amplasați produsul, asigurați-vă că cablul de alimentare nu este deteriorat sau ciupit.
- Produsul nu trebuie conectat la sisteme de alimentare precum sistemul de energie solară. În caz contrar, produsul dumneavoastră poate fi deteriorat din cauza schimbărilor bruște de tensiune!
- Cu cât mai mult agent frigorific conține un frigider, cu atât mai mare trebuie să fie camera în care se află. În camerele foarte mici, poate să apară un amestec de aer și gaz inflamabil în cazul unei scurgeri de gaz din sistemul de răcire. Un volum de cel puțin 1 m<sup>3</sup> este necesar pentru fiecare 8 grame de agent frigorific. Cantitatea disponibilă în produsul dumneavoastră este specificată în eticheta de tip.
- Locul de instalare a produsului nu trebuie expus la lumina directă a soarelui și nu trebuie să se afle în apropierea unei surse de căldură, cum ar fi soba, caloriferul etc. Dacă nu aveți altă posibilitate decât să instalați produsul în apropierea unei surse de căldură, trebuie să utilizați o placă izolatoare adecvată, iar distanța minimă până la sursa de căldură este cea specificată mai jos:
  - Cel puțin 30 cm de sursele de căldură precum sobe, unități de încălzire și radiatoare etc.,
  - Și cel puțin 5 cm de cuptoarele electrice.



- Produsul dumneavoastră are clasa de protecție I.
- Racordați produsul la o priză legată la pământ ce respectă valorile de tensiune, intensitate și frecvență specificate în eticheta de tip. Priza trebuie să aibă o siguranță de 10A – 16A. Compania noastră nu își va asuma responsabilitatea pentru daunele cauzate de utilizarea fără împământare și fără conectarea la rețeaua electrică în conformitate cu reglementările locale și naționale.
- Cablul de alimentare al produsului trebuie să fie scos din priză în timpul instalării. În caz contrar, pot să apară riscuri de electrocutare și vătămare!
- Nu conectați cablul de alimentare al produsului în prize de curent slăbite, dislocate, rupte, murdare, uleioase, sau care prezintă riscul de contact cu apa. Aceste tipuri de conexiuni pot provoca supraîncălzire și incendii.
- Amplasați cablul de alimentare și furtunurile produsului (dacă există) astfel încât să nu producă un risc de împiedicare.
- Pătrunderea umidității și a lichidelor în piesele sub tensiune sau în cablul de alimentare poate să cauzeze un scurtcircuit. De aceea, nu folosiți produsul în medii umede sau în zone în care apa poate să fie împrăscată (de exemplu, garaj, spălătorie etc.). Dacă frigiderul este udat cu apă, scoateți-l din priză și contactați un service autorizat.
- Nu racordați niciodată frigiderul la dispozitive de economisire a energiei. Aceste sisteme sunt dăunătoare pentru produs.
- Atunci când se îndepărtează capacul plăcii electronice și capacul din spate al compresorului (dacă este montat) există riscul de contact cu piesele electrice. Nu îndepărtați capacul plăcii electronice și capacul din spate al compresorului (dacă este montat). Este un risc de electrocutare!



### **1.6 Siguranța funcțională**

- Nu folosiți niciodată solvenți chimici pe produs. Aceste materiale prezintă un risc de explozie.

- În cazul defectării produsului, scoateți-l din priză și nu îl utilizați până când nu este reparat la un service autorizat. Risc de electrocutare!
- Nu așezați o sursă de flacără (de exemplu, lumânări, țigări etc.) pe produs sau în apropierea acestuia.
- Nu vă urcați pe produs. Risc de cădere și vătămare!
- Nu produceți stricăciuni țevilor sistemului de răcire folosind instrumente ascuțite și tăioase. Agentul frigorific care se împrăștie în caz de perforare a conductelor de gaz, a extensiilor de conducte sau a straturilor de acoperire a suprafeței superioare poate provoca iritația pielii și vătămarea ochilor.
- Nu introduceți și nu utilizați aparate electrice în interiorul frigiderelor/congelatoarelor decât la recomandarea producătorului.
- Aveți grijă să nu vă prindeți mâinile sau alte membre în piesele în mișcare din interiorul produsului. Aveți grijă să nu vă prindeți degetele între frigider și ușa sa. Dacă un copil se află în apropiere, aveți grijă atunci când deschideți sau închideți ușa.
- Nu introduceți în gură înghețată, cuburi de gheață sau alimentate congelate imediat după ce le-ați scos din congelator. Risc de degerături!
- Nu atingeți cu mâinile ude pereții interiori, piesele din metal ale congelatorului sau alimentele din interiorul congelatorului. Risc de degerături!
- Nu introduceți cutii cu sucuri acidulate sau cutii și sticle ce conțin lichide care pot să fie congelate în compartimentul de congelare. Cutiile sau sticlele pot să explodeze. Risc de vătămare și daune materiale!
- Nu folosiți și nu amplasați materiale sensibile la temperatură, precum sprayuri inflamabile, obiecte inflamabile, zăpadă carbonică sau alți agenți chimici, în apropierea instalației frigorifice. Risc de incendiu și explozie!
- Nu depozitați materiale explozibile, precum cutiile cu aerosoli cu materiale inflamabile, în interiorul produsului.
- Nu așezați cutii de conserve care conțin lichide pe produs atunci când acesta este deschis. Stropirea cu apă a

- pieselor electrice poate să ducă la electrocutare sau incendii.
- Acest produs nu este destinat depozitării și răcirii medicamentelor, plasmei din sânge, preparatelor de laborator sau a altor materiale și produse similare care fac obiectul Directivei privind produsele medicale.
  - Dacă produsul nu este folosit conform scopului destinat, poate să producă daune sau deteriorarea produselor păstrate în interiorul său.
  - Dacă frigiderul este prevăzut cu lumină albastră, nu priviți această lumină cu dispozitive optice. Nu priviți direct spre ledul UV pentru o perioadă lungă de timp. Razele ultraviolete pot să afecteze ochii.
  - Conținutul din interiorul produsului nu trebuie să depășească volumul recomandat. Pot să apară vătămări sau daune în cazul în care conținutul frigiderului cade atunci când ușa este deschisă. Probleme similare pot să apară de asemenea atunci când un obiect este așezat pe produs.
  - Asigurați-vă că ați îndepărtat gheața sau apa care este posibil să fi căzut pe podea pentru a preveni vătămările.
  - Schimbați poziția rafturilor/ rafurilor pentru sticle de pe ușa frigiderului numai atunci când acestea sunt goale. Pericol de accidentare!
  - Nu așezați obiecte care pot să cadă/să se răstoarne pe produs. Aceste obiecte pot să cadă atunci când deschideți sau închideți ușa și să cauzeze vătămări și/sau daune materiale.
  - Nu loviți și nu exercitați o presiune excesivă pe suprafețele din sticlă. Sticla spartă poate să cauzeze răniri și/sau daune materiale.
  - Sistemul de răcire din produsul nostru conține agent frigorific R600a. Tipul agentului frigorific folosit în produs este indicat în eticheta de tip. Acest gaz este inflamabil. De aceea, aveți grijă să nu deteriorați sistemul de răcire și țevile în timp ce utilizați produsul. În caz de deteriorare a țevilor:
    1. Nu atingeți produsul sau cablul de alimentare.
    2. Țineți produsul la distanță de potențialele surse de incendiu care pot să ducă la incendierea sa.

3. Ventilați zona în care se află produsul. Nu folosiți un ventilator.

4. Contactați un service autorizat.

Dacă produsul este deteriorat și observați o scurgere de gaze, păstrați distanța față de gaz.

Dacă intră în contact cu pielea, acesta poate să cauzeze degerături.

Înainte de a elimina produsele vechi ce nu mai sunt folosite:

1. Scoateți ștecherul cablului de alimentare din priza de perete.

2. Tăiați cablul de alimentare și îndepărtați-l de aparat, împreună cu ștecărul.

3. Nu scoateți rafturile și sertarele din produs pentru a nu le permite copiilor să intre în acesta.

4. Scoateți ușile.

5. Depozitați produsul astfel încât să nu poată să se răstoarne.

6. Nu permiteți copiilor să se joace cu produsul casat.

- Nu eliminați produsul aruncându-l pe foc. Risc de explozie.
- Dacă există o încuietoare pe ușa produsului, nu lăsați cheia la îndemâna copiilor.



## 1.7 Siguranța depozitării alimentelor

Vă rugăm să acordați atenție următoarelor avertismente pentru a evita deteriorarea alimentelor:

- Lăsarea ușilor deschise pentru o perioadă lungă de timp poate duce la creșterea temperaturii din interiorul produsului.
- Curățați în mod regulat sistemele de drenaj accesibile care au contact cu alimentele.
- Curățați rezervoarele de apă care nu au fost folosite timp de 48 de ore și sistemele de apă alimentate de la rețea care nu au fost folosite de mai mult de 5 zile.
- Puneți carnea crudă și produsele din pește în compartimente adecvate din cadrul produsului. Astfel, acestea nu picură și nu intră în contact cu alte alimente.
- Compartimentele congelatorului cu două stele sunt folosite pentru alimentele preumplute, prepararea și depozitarea înghețatei și a înghețată.
- Compartimentele cu una, două și trei stele nu sunt adecvate pentru congelarea alimentelor proaspete.

- Dacă produsul de răcire a fost lăsat gol pentru o perioadă lungă de timp, opriți produsul, dezghețați-l, curățați-l și uscați-l pentru a proteja carcasa produsului.

### 1.8 Siguranța legată de întreținere și curățare

- Dacă trebuie să mutați produsul pentru a-l curăța, nu trageți de mânerul ușii. Mânerul poate să producă vătămări dacă este tras prea tare.
- Nu curățați produsul pulverizând sau turnând apă pe produs și în interiorul produsului. Risc de electrocutare și incendiu.
- Când curățați produsul, nu utilizați unelte ascuțite și abrazive sau agenți de curățare de uz casnic, detergent, gaz, benzină, diluant, alcool, lac și substanțe similare. În interiorul produsului utilizați numai agenți de curățare și întreținere care nu sunt toxici pentru alimente.
- Nu folosiți aburi sau materiale de curățare cu aburi pentru curățarea produsului și topirea gheții din interiorul acestuia. Aburul intră în contact cu

- zonele sub tensiune din frigider și poate să ducă la electrocutări și scurtcircuite.
- Aveți grijă ca apa să nu intre în circuitele electrice sau în dispozitivele de iluminat ale produsului.
- Folosiți o lavetă curată, uscată pentru a șterge praful sau materiile străine de pe polii prizelor. Nu folosiți o lavetă udă sau umedă pentru a curăța priza. În caz contrar, pot să apară pericole de incendiu sau electrocutare.

### 1.9 Eliminarea produselor vechi

Atunci când eliminați produsul vechi, urmați instrucțiunile de mai jos:

- Pentru a preveni blocarea accidentală a copiilor în produs, dacă există un sistem de blocare a ușii, dezactivați-l.
- Stropii de lichid de răcire sunt dăunători pentru ochi. Nu deteriorați nicio parte a sistemului de răcire în timpul eliminării produsului.
- Poate fi fatal dacă uleiul din compresor este înghițit sau dacă acesta pătrunde în tractul respirator.

- Sistemul de răcire al produsului include gaz R600a, așa cum este specificat în eticheta de tip. Acest gaz este

inflamabil. Nu eliminați produsul aruncându-l pe foc. Risc de explozie!

## 1.10 Date tehnice pentru Bluetooth și Wi-fi

Banda de frecvență:	2.4GHz (funcție Wi-fi sau bluetooth)
Putere maximă de transfer:	< 100mW (funcție Wi-fi sau Bluetooth)
Detalii software:	Quartz_WiFi.XXX

**Declarația CE de conformitate:**  
Prin prezenta, Arçelik A.Ş. declară că acest produs este în conformitate cu Directiva 2014/53/UE.

Textul integral al declarația EU de conformitate este disponibil la următorul website:

Produse, adresă:  
support.grundig.com

Perioada de asistență pentru actualizarea software-ului legată de securitatea cibernetică definită a produsului este perioada de garanție a produsului. După această perioadă, actualizările de software legate de securitatea cibernetică nu sunt garantate.

## 2 Instrucțiuni privind mediul

### 2.1 Conformitatea cu Directiva DEEE și eliminarea deșeurilor



Acest produs este în conformitate cu Directiva UE privind DEEE (2012/19/UE). Produsul este prevăzut cu un simbol de clasificare pentru deșeuri de echipamente

electrice și electronice (WEEE). Acest simbolul indică faptul că acest produs nu trebuie eliminat cu alte deșeuri domestice la terminarea duratei sale de viață. Aparatul uzat trebuie predat la punctul de colectare oficial pentru reciclarea dispozitivelor electrice și electronice. Pentru a găsi aceste sisteme de colectare, contactați autoritățile dvs. locale sau distribuitorul de unde a fost achiziționat produsul. Fiecare gospodărie joacă un rol important în recuperarea și

reciclarea aparatelor vechi. Eliminarea corespunzătoare a aparatelor uzate contribuie la prevenirea consecințelor potențial negative asupra mediului și sănătății umane.

### Conformitatea cu Directiva RoHS

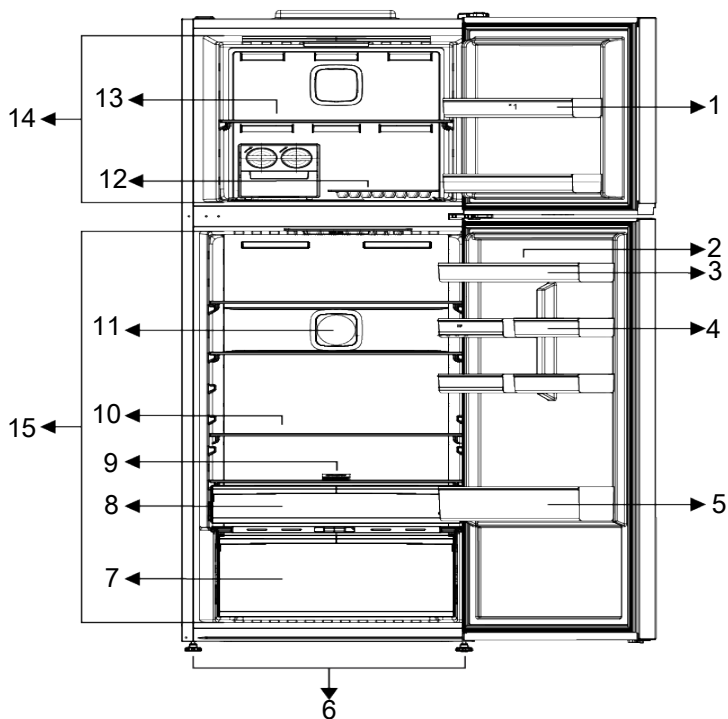
Produsul pe care l-ați achiziționat este în conformitate cu Directiva UE RoHS (65/2011/UE). Acesta nu conține materiale nocive și interzise specificate în Directivă.



### **Informații despre ambalaj**

Materialele de ambalare ale produsului sunt fabricate din materiale reciclabile în conformitate cu Reglementările naționale privind mediul. Nu eliminați materialele de ambalare împreună cu deșeurile menajere sau alte deșeuri. Predați-le la punctele de colectare a ambalajelor desemnate de autoritățile locale.

### 3 Frigiderul dumneavoastră



RO

- |   |   |
|---|---|
| 1 Rafturi ușă congelator  | 2 Suportul pentru ouă                             |
| 3 *Rafturi ușă compartiment frigider                                      | 4 *Rafturi mici ușă compartiment frigider         |
| 5 *Raft sticle  | 6 Picioare ajustabile                             |
| 7 Cutie legume/fructe, separator cutie legume/fructe și filtru de etilenă | 8 * Sertar pentru lactate (păstrare la rece)      |
| 9 Filtru  | 10 *Raftul de sticlă al compartimentului frigider |
| 11 Ventilator   | 12 Icematic/Cutie depozitare gheață               |
| 13 Raft din sticlă din congelator   | 14 Compartiment congelator                        |
| 15 Compartimentul frigorific  |   |

**\*Opțional:** Cifrele din acest manual de utilizare sunt schematice și s-ar putea să nu corespundă exact cu produsul dvs. Dacă

produsul dumneavoastră nu conține componentele relevante, informațiile se referă la alte modele.

### 4 Instalare



Citiți mai întâi secțiunea „Instrucțiuni de siguranță”!



## 4.1 Locul potrivit pentru instalare

Pentru instalarea produsului, contactați un service autorizat. Pentru a pregăti produsul pentru instalare, consultați informațiile din manualul de utilizare și asigurați-vă că racordarea la utilitățile de apă și electricitate este conformă. Dacă nu este conformă, contactați un electrician și un instalator.



### AVERTISMENT:

Producătorul nu își asumă nicio responsabilitate pentru orice avarii suferite de lucrările efectuate de persoane neautorizate.



### AVERTISMENT:

Cablul de alimentare al produsului trebuie să fie scos din priză în timpul instalării. În caz contrar, există pericol de moarte sau de vătămare gravă!



### AVERTISMENT:

Dacă ușa încăperii este prea îngustă pentru a permite introducerea produsului, demontați ușa și răsuciți produsul în lateral; dacă acest lucru nu funcționează, contactați centrul de service autorizat.

- Dispuneți produsul pe o suprafață plată pentru a evita vibrațiile.
- Așezați produsul la cel puțin 30 cm față de plite, cuptor și surse similare de căldură și la cel puțin 5 cm față de cuptoarele electrice.
- Nu expuneți produsul la lumina directă a soarelui și nu îl păstrați în medii umede.
- Produsul dumneavoastră. necesită o circulație adecvată a aerului pentru a funcționa eficient. Dacă produsul va fi plasat într-o nișă, nu uitați să lăsați o distanță de cel puțin 5 cm între produs și tavan, peretele din spate și pereții laterali.

- Verificați dacă elementul de protecție a spațiului la peretele din spate se află în locația sa (dacă este furnizat împreună cu produsul).
- Dacă elementul nu este disponibil sau dacă este pierdut sau căzut, poziționați produsul astfel încât să rămână o distanță de cel puțin 5 cm între suprafața din spate a produsului și pereții camerei. Spațiul din spate este important pentru funcționarea eficientă a produsului.

## 4.2 Conexiunea electrică



Nu utilizați prelungitoare sau prize multiple pentru alimentarea la rețeaua electrică.



Cablul de alimentare deteriorat trebuie înlocuit de un centru de service autorizat.



Când amplasați două frigiderice în poziție adiacentă, lăsați o distanță de cel puțin 4 cm între cele două unități.

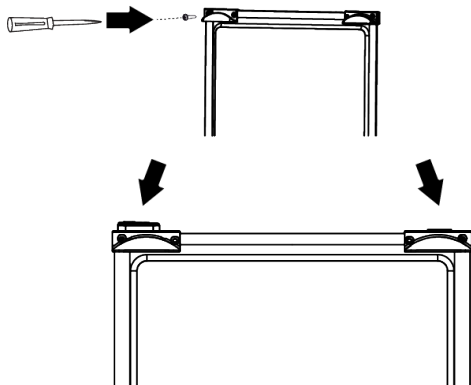
- Firma noastră nu își va asuma responsabilitatea pentru niciun fel de avarii produse din cauza folosirii fără împământare sau conectare la alimentare în conformitate cu reglementările naționale.
- Cablul de alimentare trebuie să fie ușor accesibil după instalare.
- Nu utilizați un ștecher multigrup cu sau fără cablu prelungitor între priza de perete și frigider.

## 4.3 Fixarea elementelor de fixare de tip pană din plastic

Folosiți penele de plastic furnizate împreună cu produsul pentru a asigura destul spațiu pentru circulația aerului între produs și perete.

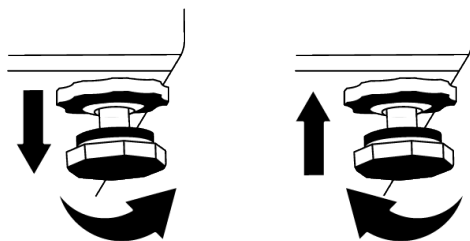
1. Pentru a atașa penele, îndepărtați șuruburile de pe produs și folosiți șuruburile oferite cu penele.

2. Atașați 2 pene de plastic de capacul de ventilație așa cum se vede în figură.



#### 4.4 Ajustarea picioarelor frontale

Dacă produsul nu este echilibrat, ajustați picioarele reglabile frontale rotind la dreapta sau stânga.

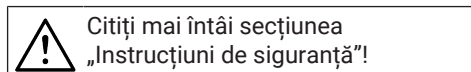


RO

#### 4.5 Avertisment de suprafață fierbinte

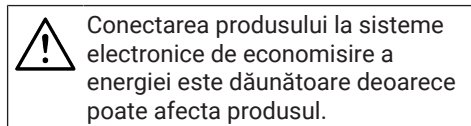
Pereții laterali ai produsului dvs. sunt echipați cu țevi de răcire pentru a îmbunătăți sistemul de răcire. Lichidul de înaltă presiune poate curge prin aceste suprafețe și poate cauza suprafețe fierbinți pe pereții laterali. Acest lucru este normal și nu necesită reparații. Aveți grijă când intrați în contact cu aceste zone.

### 5 Pregătirea



Citiți mai întâi secțiunea „Instrucțiuni de siguranță”!

#### 5.1 Modalități de reducere a consumului de energie electrică



Conectarea produsului la sisteme electronice de economisire a energiei este dăunătoare deoarece poate afecta produsul.

- Acest aparat frigorific nu este destinat utilizării ca aparat încorporat.
- Nu lăsați ușa frigiderului deschisă perioade îndelungate de timp.
- Nu puneți mâncare fierbinte sau băuturi în frigider.
- Nu supraîncărcați frigiderul; blocarea circulației aerului din interior va reduce capacitatea de răcire.
- Deoarece aerul cald și umed nu va pătrunde direct în produsul dvs. atunci când ușile nu sunt deschise, produsul dvs. se va optimiza în condiții suficiente pentru a vă proteja alimentele. Funcțiile

și componentele, cum ar fi compresorul, ventilatorul, radiatorul, dezghețarea, iluminatul, afișajul și așa mai departe, vor funcționa în funcție de necesitățile de consum minim de energie.

- În cazul în care există mai multe opțiuni, rafturile din sticlă trebuie amplasate astfel încât intrările de aer de la peretele din spate să nu fie blocate, și este de preferat ca intrările de aer să rămână sub raftul de sticlă. Această combinație poate ajuta la îmbunătățirea distribuției de aer și eficienței energetice.
- Utilizarea sertarului inferior în timpul încărcării este recomandată cu tărie.
- Alimentele se depozitează folosind sertarele din compartimentul frigorific pentru a asigura economisirea energiei și pentru a proteja alimentele în condiții mai bune.

## 5.2 Prima utilizare

Înainte de utilizarea frigiderului, asigurați-vă că ați realizat pregătirile necesare conform instrucțiunilor din capitolele „Instrucțiuni privind siguranța și mediul” și „Instalarea”.

- Lăsați frigiderul să funcționeze fără alimente timp de 6 ore și nu deschideți ușa, decât dacă este absolut necesar.
- Schimbarea de temperatură cauzată de deschiderea și închiderea ușii în timpul utilizării produsului poate duce în mod normal la condens pe rafturile ușii/corpului și pe produsele de sticlă plasate în produs.



Se va auzi un sunet când compresorul este cuplat. Este normal ca produsul să facă zgomot chiar dacă compresorul nu funcționează, deoarece lichidul și gazul pot fi comprimate în sistemul de răcire.



Este normal ca marginile frontale ale frigiderului să fie calde. Aceste zone sunt proiectate să se încălzească pentru împiedicarea condensului.



Pentru unele modele, panoul indicator se oprește automat la 1 minut după ce ușa este închisă. Va fi reactivat atunci când ușa este deschisă sau dacă este apăsat vreun buton.

## 5.3 Clasa climatică și definiții

Vă rugăm să consultați Clasa Climatică de pe plăcuța de identificare a aparatului. Una dintre următoarele informații este aplicabilă aparatului conform Clasei Climatice.

- **SN:** Clima temperată pe termen lung: Aparatul de răcire este proiectat pentru a fi utilizat la temperaturi ambientale cuprinse între 10 °C și 32 °C.
- **N:** Clima temperată: Aparatul de răcire este proiectat pentru a fi utilizat la temperaturi ambientale cuprinse între 16°C și 32 °C.
- **ST:** Climă subtropicală: Aparatul de răcire este proiectat pentru a fi utilizat la temperaturi ambientale cuprinse între 16°C și 38°C.
- **T:** Climă tropicală: Aparatul de răcire este proiectat pentru a fi utilizat la temperaturi ambientale cuprinse între 16°C și 43°C.

## 6 Operarea produsului



Citiți mai întâi secțiunea „Instrucțiuni de siguranță”!

- Nu utilizați unelte mecanice sau alte unelte decât cele recomandate de producător pentru a accelera operațiunea de dezghețare.
- Nu folosiți părți ale frigiderului, cum ar fi ușa sau sertarele, ca suport sau treaptă. Acest lucru poate duce la răsturnarea produsului sau deteriorarea componentelor sale.
- Produsul se utilizează numai pentru depozitarea alimentelor.

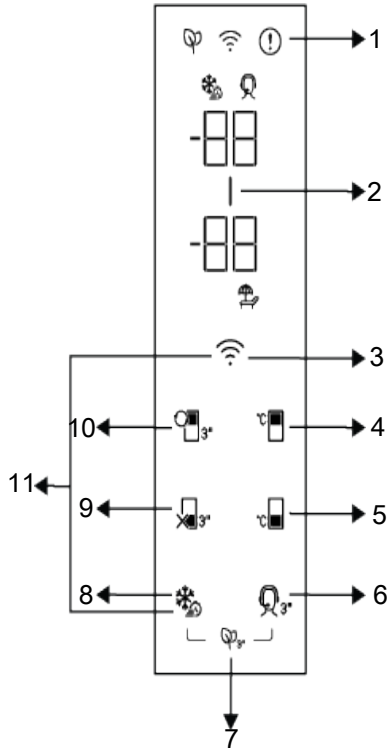
- Închideți supapa de apă dacă vă veți afla departe de casă (de exemplu, în vacanță) și nu veți folosi icematic sau dozatorul de apă pentru o perioadă lungă de timp. În caz contrar, pot apărea scurgeri de apă.

### Înteruperea programului


- Dacă nu veți folosi produsul pentru o perioadă lungă de timp, deconectați produsul de la priză.
- Îndepărtați alimentele pentru a preveni mirosurile.
- Așteptați ca gheața să se topească, curățați interiorul și lăsați-l să se usuce, lăsați ușile deschise pentru a nu deteriora materialele plastice din interior.

## 7 Panoul de control al produsului

RO



- |   |   |
|---|---|
| 1 Error Status Indicator                          | 2 Energy Saving (Display Off) Indicator                 |
| 3 *Wireless Key                                   | 4 Freezer Compartment Temperature Setting Key           |
| 5 Cooler Compartment Temperature Setting Key      | 6 *Support Service Key                                  |
| 7 *Deodoriser Module Key                          | 8 *Quick Freezing Key/Handle Light Function Setting Key |
| 9 *Cooler Compartment Off (Vacation) Function Key | 10 *Compartment Conversion Key                          |
| 11 Key for Resetting Wireless Connection Settings |   |

 Read the "Safety Instructions" section first.

\*Optional: Shown functions are optional, there may be differences of shape and location in functions found on your appliance's indicator panel.

Auditory and visual functions on the indicator panel will assist you in using the refrigerator.

### 1. Error Condition Indicator

This indicator will be active when your refrigerator cannot perform adequate cooling or in case of any sensor error. "E"

will be displayed on the freezer compartment temperature indicator and figures such as 1,2,3... will be displayed on the cooler compartment temperature indicator. These figures provide information to the authorized service on the error that has occurred.

Exclamation mark may be displayed for a while when you load warm food to the freezer compartment or keep the door open for a long period of time. This is not a fault, this warning will be removed when the food is cooled down or when any key is pressed.

## 2. Energy Saving (Display Off) Indicator

Energy saving function is enabled automatically and the energy saving symbol lights up when the door of the product is not opened or closed for some period of time. When the energy saving function is active, all symbols on the screen except the energy saving symbol will be turned off. When the energy saving function is active, if you press any key or open the door, the energy saving function will be deactivated and the symbols on the screen will return to normal. The energy saving function is a function activated ex-factory and cannot be cancelled.

## 3. \*Wireless Key

When the key is pressed for a long period (3 seconds), the wireless connection symbol on the display/screen flashes slowly (at 0.5 second intervals). The home network is initialized on the product this way.

After achieving wireless connection with the product, wireless connection symbol illuminates continuously.

When the initial connection is established, you may activate/deactivate the connection with a short press on this key. The wireless connection symbol will flash quickly (at 0.2 second intervals) until the connection is established. When the connection is active, the wireless network symbol will illuminate continuously.

If the connection cannot be established for a long period, check your connection settings and refer to the "Troubleshooting" section provided in the user manual.

HomeWhiz application will be used for wireless connection. The installation steps are described on the application during installation.

You may access the application by reading the QR code available on the HomeWhiz label on the product. Application is offered through App Store for IOS devices, and through Play Store for Android devices.

Visit <https://www.homewhiz.com/> address for detailed information.

## 4. The Freezer Compartment

### Temperature Setting Key

Temperature setting is made for freezer compartment. Pressing this key will enable the freezer compartment temperature to be set at -18,-19,-20,-21,-22,-23,-24 Celsius.

## 5. Cooler Compartment Temperature

### Setting Key

Allows setting of temperature for cooler compartment. When this key is pressed on, the cooler compartment temperature is set to 8,7,6,5,4,3,2 and 1 Celsius values

## 6. \*Support Service Key

Press this key for 3 seconds to activate/deactivate the support service. Detailed information on the support service is provided in the "Support Service Feature" section.

## 7. \*Deodoriser Module Key

Press this key for 3 seconds to activate/deactivate the deodoriser feature. When the deodoriser feature is active, the LED on the respective key is illuminated. When the feature is active, the deodoriser module will be operated periodically.

## 8. Quick Freezing Key

When the quick freezing key is pressed, the LED on the key is illuminated and the quick freezing function will be activated. Freezer compartment temperature is set to -27

Celsius. Press the key again to cancel the function. The quick freezing function will be cancelled automatically. To freeze a large amount of fresh food, press the quick freezing key before placing the food in the freezer compartment.

#### \*Handle Light Function Setting Key

Handle light function might be switched between open and closed modes by pressing the quick freezing key for 3 seconds. In the closed mode, the handle light is only activated when the appliance door is opened and it goes out after a while after the door is closed. In the open mode, the handle light is activated when the appliance door is opened, the handle light stays on dimly after a while after the door is closed. The handle light function is set to the ex-factory closed mode.

#### 9.\*Cooler Compartment Off (Vacation)

##### Function Key

Press the key for 3 seconds to activate the vacation function. Vacation mode is activated and the vacation symbol is illuminated. "--" will be displayed on the Cooler Compartment temperature indicator and the cooler compartment does not

actively perform cooling. You should not keep your food in the cooler compartment if you activate this function. The other compartments continue to cool according to temperatures set before. Press the key for 3 seconds again to cancel this function.

#### 10. \*Compartment Conversion Key

Pressing compartment conversion key for 3 seconds, the freezer compartment switches between cooler, off and freezer modes, respectively. If it is operated as the cooler compartment, the temperature of the compartment will be set as 4 Celsius. In the off mode, compartment temperature indicator shall display "--".

#### 11. Key for Resetting Wireless

##### Connection Settings

To reset the wireless connection settings, press on Quick freezing and Wireless connection keys simultaneously for 3 seconds. All user information recorded previously are removed on a product where wireless connection settings are reset/restored to factory defaults.

## 8 Utilizarea produsului



Citiți mai întâi secțiunea „Instrucțiuni de siguranță”!

### 8.1 Păstrarea alimentelor în compartimentul congelator și frigider

#### Păstrarea alimentelor în compartimentul congelator

- Puteți activa funcția Quick Freeze (Congelare rapidă) cu 4-6 ore înainte de funcția de congelare putând astfel efectua o răcire mai rapidă.
- Așteptați ca mâncarea fierbinte să ajungă la temperatura camerei înainte de a o pune în compartimentul congelator.
- Alimentele trebuie congelate în pachete separate împărțite în porții conform cantității consumate la o masă.

- Împachetarea alimentelor înainte de a le introduce în congelator este recomandată.
- Pentru a preveni expirarea termenului de păstrare, scrieți pe ambalaj data congelării, ora și denumirea produsului în funcție de termenii de păstrare a diferitelor alimente.
- Consumați rapid alimentele decongelate. Alimentele decongelate nu pot fi congelate din nou decât dacă sunt găsite. Nu este sănătos să consumați alimente proaspete recongelate fără a le găti după ce sunt decongelate.
- Atunci când congelați alimente proaspete, evitați contactul acestora cu alimentele deja congelate. În caz contrar, alimentele congelate se vor dezgheța.

## Păstrarea alimentelor care sunt vândute gata congelate

- Urmați întotdeauna instrucțiunile producătorului cu privire la termenul de păstrare al alimentelor. Nu depășiți termenul specificat în aceste instrucțiuni!
- Pentru a proteja calitatea alimentelor, intervalul de timp între tranzacția de cumpărare și depozitare trebuie să fie cât mai scurt posibil.
- Cumpărați alimente congelate care sunt păstrate la  $-18^{\circ}\text{C}$  sau temperaturi mai scăzute.
- Evitați cumpărarea alimentelor ale căror ambalaje sunt acoperite cu gheață etc. Aceasta înseamnă că produsul ar putea fi parțial decongelat și apoi recongelat. Temperatura are impact asupra calității alimentelor.
- Nu depășiți termenul de păstrare recomandat de producătorul de alimente. Scoateți din congelator doar alimentele de care aveți nevoie.
- Înafara cazurilor în care în mediu înconjurător există circumstanțe extreme, dacă produsul dvs. (din tabelul cu valori setate recomandate) este păstrat la valorile setate specificate, el își va păstra prospețimea mai mult timp atât în compartimentul pentru produse proaspete, cât și în compartimentul congelator.
- În cazul în care compartimentul pentru alimente proaspete este setat la o temperatură mai scăzută, fructele și legumele proaspete se pot congela parțial.

## Tabel valori setate recomandate

Setarea compartimentului de congelare	Setarea compartimentului frigider	Observații
$-18^{\circ}\text{C}$	$4^{\circ}\text{C}$	Aceasta este setarea implicită recomandată. Această setare este recomandată în cazul în care temperatura ambiantă este sub $30^{\circ}\text{C}$ .
$-20, -22$ sau $-24^{\circ}\text{C}$	$4^{\circ}\text{C}$	Aceste setări sunt recomandate pentru temperaturile ambiante care depășesc $30^{\circ}\text{C}$ .
Quick Freeze (Congelare rapidă)	$4^{\circ}\text{C}$	Utilizați atunci când doriți să congelați alimentele într-un timp scurt. La încheierea procesului, produsul va reveni la poziția anterioară.
$-18^{\circ}\text{C}$ sau mai rece	$2^{\circ}\text{C}$	Utilizați aceste setări în cazul în care considerați că compartimentul răcitorului nu este suficient de rece din cauza temperaturii ambiante sau a deschiderii frecvente a ușii.

### Congelare rapidă

1. Activați funcția de congelare rapidă cu 24 de ore înainte de așezarea alimentelor proaspete.
2. După 24 de ore de la apăsarea butonului, așezați alimentele care doriți să le congelați pe primul raft cu o capacitate de congelare mai mare.
3. Funcția de congelare rapidă va fi dezactivată în mod automat după 24 de ore.
2. După 24 de ore de la apăsarea butonului, așezați alimentele care doriți să le congelați pe primul raft cu o capacitate de congelare mai mare.
3. Funcția de congelare rapidă va fi dezactivată în mod automat după 48 de ore.

### Congelare rapidă

1. Activați funcția de congelare rapidă cu 24 de ore înainte de așezarea alimentelor proaspete.

### Detalii congelator

Conform standardelor IEC 62552, congelatorul trebuie să aibă capacitatea de a îngheța 4,5 kg de alimente la  $-18^{\circ}\text{C}$  sau la temperaturi mai scăzute la  $25^{\circ}\text{C}$  temperatura camerei în 24 de ore pentru fiecare 100 de litri din volumul compartimentului congelatorului.

Produsele alimentare se pot păstra pentru perioade îndelungate de timp numai la temperaturi de sau mai mici de  $-18^{\circ}\text{C}$ . Puteți păstra alimentele proaspete cu lunile (în congelator sau la temperaturi sub  $18^{\circ}\text{C}$ ). Produsele alimentare de congelat nu trebuie să ia contact cu alimentele deja congelate din interior, pentru a evita decongelarea parțială.

Fierbeți legumele și filtrați apa pentru a prelungi timpul de stocare în congelator. Puneți alimentele în ambalaje ermetice după filtrare și puneți-le în congelator. Bananele, roșiile, salata, țelina, ouăle fierte, cartofii și alte alimente similare nu trebuie congelate. În cazul în care aceste alimente îngheață, doar valorile nutriționale și calitățile alimentare vor fi afectate negativ. Nu se pune în discuție o putrefacție care ar amenința sănătatea umană.

### **Așezarea alimentelor**

#### **Rafturile din compartimentul**

**congelator:** Diverse alimente congelate precum carne, pește, înghețată, legume etc.

#### **Rafturile din compartimentul**

**frigider:** Alimente în recipiente, farfuria cu capac și recipiente cu capac, ouă (în recipient acoperit)

#### **Rafturi ușă compartimentul**

**frigider:** Alimente sau băuturi mici și ambalate

#### **Sertar pentru legume și**

**fructe:** Legume și fructe

#### **Compartimentul pentru alimente**

**proaspete:** Delicatese (alimente pentru micul dejun, produse din carne care trebuie consumate repede)

#### **Păstrarea alimentelor în compartimentul frigider**

- Dacă ușa compartimentului este deschisă și închisă frecvent și lăsată deschisă o perioadă lungă de timp, temperaturile din compartiment cresc considerabil, ceea ce poate reduce durata de viață a alimentelor și poate duce la deteriorarea acestora.

- Pentru a nu provoca schimbări ale mirosului și gustului, alimentele trebuie păstrate în recipiente închise.
- Nu depozitați prea multe alimente în frigider. Pentru a asigura o răcire mai bună și mai omogenă, așezați alimentele separat, permițând circulația aerului rece printre ele.
- Asigurați circulația aerului lăsând spațiu între alimente și peretele interior. Dacă lipiți alimentele de peretele din spate, acestea pot îngheța.
- Așteptați ca mâncarea gătită și fierbinte să ajungă la temperatura camerei înainte de a o pune în frigider. Apoi, puteți pune mâncarea caldă în rafturile inferioare ale frigiderului. Nu așezați mâncarea caldă în apropierea alimentelor care se pot altera ușor.
- Dezghețați alimentele congelate în compartimentul pentru alimente proaspete. Astfel, puteți răci compartimentul pentru alimente proaspete folosind alimente congelate astfel putând economisi energie.
- Păstrarea fructelor tropicale necoapte (mango, soiuri de pepene galben, papaya, banane, ananas) în frigider poate accelera procesul de maturizare. Acest lucru nu este recomandat deoarece va duce la o perioadă mai scurtă de păstrare.
- Păstrați ceapa, usturoiul, chimbirul și alte legume rădăcinoase în condiții de cameră întunecată și rece, nu în frigider.
- Dacă observați că în frigider s-a alterat un aliment, aruncați-l și curățați accesoriile care au intrat în contact cu el.
- Pentru a răci rapid mâncărurile precum supe și tocane, care se gătesc în cratițe mari, le puteți pune la frigider, separându-le în recipiente de mică adâncime.
- Nu așezați alimente neambalate lângă ouă.
- Păstrați fructele și legumele separat și fiecare soi împreună (de exemplu: mere cu mere, morcovi cu morcovi).



- Scoateți legumele verzi din pungă de plastic și puneți-le la frigider după ce le-ați înfășurat într-un prosop de hârtie sau o cârpă. Dacă spălați acest tip de alimente înainte de a le pune în frigider, nu uitați să le uscați.
- Puteți crea atât un mediu umed, cât și să permiteți circulația aerului păstrând fructele și legumele, care sunt predispușe la uscare, în pungi de plastic perforate sau nesigilate.
- Înafara cazurilor în care în mediul înconjurător există circumstanțe extreme, dacă produsul dvs. (din tabelul cu valori setate recomandate) este păstrat la valorile setate specificate, el își va păstra prospețimea mai mult timp atât în compartimentul pentru produse proaspete, cât și în compartimentul congelator.

### **Păstrați diferite alimente în diferite locuri în funcție de proprietățile acestora.**

Aliment	Locația
Ou	Raft de ușă
Produse lactate (unt, brânză)	Dacă există, compartimentul de zero grade (pentru alimentele de mic dejun)
Fructe, legume și verdeață	Compartimentul fructe-legume, sertar pentru fructe și legume sau Compartimentul EverFresh+ (dacă există)
Carnea proaspătă, carne de pui, pește, cârnați etc. Alimente gătite	Dacă există, compartimentul de zero grade (pentru alimentele de mic dejun)
Produse gata de servit, produse împachetate, produse conservă și murături	Rafturile superioare sau raftul de ușă
Băuturi, sticle, condimente și snackuri	Raft de ușă

## **8.2 Înlocuirea lămpii de iluminat**

Luați legătura cu Service-ul autorizat atunci când becul/LED-ul utilizat pentru iluminarea frigiderului va fi schimbat.

Lampa (lămpile) utilizată (utilizate) în acest aparat nu poate (pot) fi utilizată (utilizate) pentru iluminatul locuințelor. Scopul acestei lămpi este de a ajuta utilizatorul să introducă alimente în frigider/congelator în condiții de siguranță și confort.

## **8.3 Alertă ușă deschisă**

În funcție de model, sistemul de alertă de deschidere a ușii frigiderului dumneavoastră poate fi diferit.

### **Versiunea 1;**

Dacă ușa produsului rămâne deschisă pentru o anumită perioadă de timp (între 60 s și 120 s), se emite un semnal sonor de avertizare; în funcție de modelul produsului, poate fi afișat și un semnal vizual de avertizare (lumină intermitentă). Dacă închideți ușa dispozitivului sau apăsați un

buton de pe ecranul dispozitivului, dacă acesta există, sunetul de avertizare se va opri.

### **Versiunea 2;**

Dacă ușa dispozitivului rămâne deschisă pentru o anumită perioadă de timp (între 60s și 120 s), se declanșează alerta de ușă deschisă. Alerta de deschidere a ușii se declanșează treptat. Pentru început, se va declanșa o avertizare sonoră. După 4 minute, dacă ușa nu este încă închisă, se activează un avertisment vizual (lumină intermitentă). Alerta de deschidere a ușii va fi amânată pentru o anumită perioadă de timp (între 60 s și 120 s) atunci când este apăsată orice tastă de pe ecranul produsului, dacă o astfel de tastă există. Apoi, procesul va începe din nou. Atunci când ușa dispozitivului este închisă, alerta de ușă deschisă va fi anulată.

## 8.4 Schimbarea sensului de deschidere a uşii

Sensul de deschidere a uşii a frigiderului poate fi schimbat în funcţie de locul în care puneţi frigiderul. Când aveţi nevoie de aşa ceva, luaţi neapărat legătura cu cel mai apropiat Service autorizat.

## 9 Caracteristicile produsului

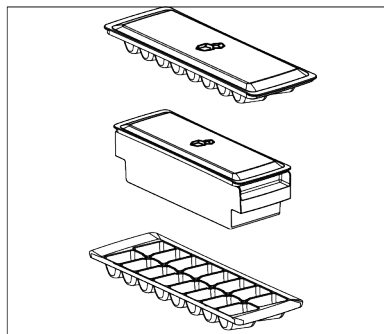
### 9.1 Zona de depozitare a gheţii

#### Recipient pentru gheaţă

Recipientul pentru cuburi de gheaţă vă permite să scoateţi cu uşurinţă gheaţa din frigider.

#### Utilizarea recipientului pentru cuburi de gheaţă

1. Extrageţi recipientul pentru cuburi de gheaţă din compartimentul de congelare.
2. Umpleţi recipientul pentru cuburi de gheaţă cu apă.
3. Aşezaţi recipientul pentru cuburi de gheaţă în compartimentul de congelare. În aproximativ două ore, cuburile de gheaţă vor fi gata.
4. Extrageţi recipientul pentru cuburi de gheaţă din compartimentul congelatorului şi îndoiţi-l ușor deasupra recipientului pe care îl veţi servi. Gheaţa se va turna cu uşurinţă în recipientul de servire.



### 9.2 Sertar pentru fructe și legume proaspete

Setarul pentru legume și fructe proaspete al frigiderului este conceput pentru a menține legumele proaspete prin păstrarea umidității. În acest scop, circulația totală a

aerului rece este intensificată în cutia pentru legume și fructe. Păstrați fructele și legumele în acest compartiment. Păstrați legumele cu frunze verzi și fructele separat pentru a prelungi durata de viață.

### 9.3 Tehnologiile sertar legume și fructe

#### Lumina albastră

Fructele și legumele păstrate în compartimentele pentru legume și iluminate cu lumină albastră își continuă fotosinteza prin efectul frecvenței luminii albastre și, astfel, își păstrează conținutul de vitamine.

#### VitaminZone

Fructele și legumele păstrate în compartimentele pentru legume și iluminate prin tehnologia VitaminZone își păstrează vitaminele pentru o perioadă mai lungă datorită luminilor albastră, verde, roșie și a ciclurilor de lumină-întuneric care simulează un ciclu de zi.

Atunci când ușa frigiderului dvs. este deschisă în timpul perioadei de întuneric a tehnologiei VitaminZone, frigiderul dvs. va simți acest lucru în mod automat și va ilumina sertarul cu una dintre luminile albastre, verzi sau roșii, pentru confortul dvs. După ce ați închis ușa frigiderului, perioada de întuneric va continua, reprezentând timpul de noapte într-un ciclu de zi.

### 9.4 Zona de depozitare la rece a produselor lactate

#### Sertar depozitare la rece

Sertarul de depozitare la rece poate atinge temperaturi mai scăzute în compartimentul frigorific. Utilizați acest sertar pentru a depozita delicatese (salam, cârnați,

produse lactate etc.) și produse lactate care necesită o temperatură de depozitare mai scăzută sau produse din carne, pui sau pește pentru consum imediat. Stocarea fructelor și legumelor în acest compartiment nu este recomandată.

## 9.5 AeroFresh

Este un sistem de distribuție a aerului care asigură o distribuție omogenă a temperaturii. Odată cu circulația aerului se asigură distribuția omogenă a temperaturii în compartimentul de depozitare a alimentelor proaspete, iar fluctuațiile de temperatură sunt menținute la cote scăzute. Aerul nu este suflat direct peste alimente iar acest lucru ajută la reducerea pierderii umidității. Astfel, prospețimea alimentelor depozitate în compartimentul pentru alimente proaspete al frigiderului este păstrată. În acest fel, alimentele sunt păstrate la temperaturi mai stabile și contactul cu aerul este redus. Uscarea și micșorarea alimentelor prin pierderea umidității este prevenită iar prospețimea este asigurată pentru mai mult timp.

## 9.6 Sertar legume fructe cu control al umidității

### Full fresh

Cu funcția de sertar cu umiditate controlată, umiditatea legumelor și fructelor este ținută sub control, iar alimentele sunt păstrate proaspete pentru o perioadă mai lungă de timp.

## 10 Întreținerea și curățarea



### AVERTISMENT:

Citiți mai întâi secțiunea „Instrucțiuni de siguranță”.



### AVERTISMENT:

Scoateți frigiderul din priză înainte de a-l curăța.

- Nu folosiți instrumente ascuțite sau abrazive pentru a curăța produsul. Nu folosiți materiale precum agenți de

Vă recomandăm să așezați legumele cu frunze precum salata verde, spanacul și legumele similare care sunt sensibile la pierderea umidității în sertar, nu în poziție verticală pe rădăcini, ci cât mai orizontal posibil.

La plasarea legumelor, așezați legumele grele și dure în partea de jos și cele ușoare și moi în partea de sus, luând în considerare greutatea specifică a legumelor.

Nu lăsați niciodată legumele în pungi în sertarul pentru legume și fructe. Lăsându-le în pungi de plastic, legumele putrezesc într-un timp scurt.

În situațiile în care nu se preferă contactul cu alte legume, utilizați materiale de ambalare, cum ar fi hârtia, care are un anumit nivel de porozitate din punct de vedere al igienei.

Nu așezați fructe care au o producție mare de gaze de etilenă, cum ar fi pere, caise, piersici și în special mere, în același sertar cu alte legume și fructe. Gazul de etilenă care provine din aceste fructe poate determina alte legume și fructe să se maturizeze mai repede și să putrezească într-o perioadă mai scurtă de timp.

curățare de uz domestic, săpun, detergenți, gaz, benzină, diluant, alcool, ceară etc.

- Praful trebuie îndepărtat de pe grilajul de ventilație din spatele produsului cel puțin o dată pe an (fără a deschide capacul). Curățați ușa cu o cârpă umedă.
- Asigurați-vă că nu intrați apă în carcasa lămpii și în alte componente electrice.

- Curăță ușa cu o cârpă umedă. Scoateți tot conținutul pentru a scoate rafturile ușilor și ale corpului. Scoateți rafturile ușilor ridicându-le în sus. Curățați și uscați rafturile, apoi montați-le la loc glisând de sus.
- Nu utilizați apă clorurată sau produse de curățare pe suprafața exterioară și pe componentele cromate ale produsului. Clorul va cauza ruginirea suprafețelor metalice.
- Nu utilizați unelte ascuțite și abrazive, săpun, materiale de curățare a locuințelor, detergenți, gaz, benzină, lac și substanțe similare pentru a preveni deformarea părții din plastic și îndepărtarea amprentelor de pe piesă. Folosiți apă caldă și o cârpă moale pentru curățare și apoi uscați prin ștergere.
- Pe produsele fără caracteristica No-Frost, pe perețele din spate al compartimentului congelatorului pot apărea picături de apă și formarea gheții de grosimea unui deget. Nu curățați și nu aplicați niciodată uleiuri sau materiale similare.
- Utilizați o cârpă din microfibră ușor umezită pentru a curăța suprafața externă a produsului. Bureții și alte tipuri de haine de curățare pot provoca zgărieturi.
- Pentru a curăța toate componentele detașabile în timpul curățării suprafeței interioare a produsului, spălați aceste componente cu o soluție ușoară constând din săpun, apă și bicarbonat de sodiu. Spălați și uscați bine. Preveniți contactul apei cu componentele de iluminare și panoul de control.

## 11 Depanare

Verificați această listă înainte de a contacta departamentul de service. Puteți economisi timp și bani. Această listă include probleme frecvente care nu sunt provocate de defecte de material sau de



### ATENȚIE:

Nu folosiți oțet, alcool de frecare sau alți agenți de curățare pe bază de alcool pe orice suprafață interioară.

### Suprafețe externe din oțel inoxidabil

Utilizați un agent de curățare neabraziv pentru oțel inoxidabil și aplicați-l cu o cârpă moale, care nu lasă scame. Pentru lustruire, ștergeți ușor suprafața cu o cârpă din microfibră umezită cu apă și folosiți o lavetă uscată pentru lustruire uscat. Urmați întotdeauna venele din oțel inoxidabil.

### Prevenirea mirosurilor neplăcute

Produsul a fost fabricat fără să prezinte orice mirosuri neplăcute. Cu toate acestea, dacă păstrați alimentele în compartimentele inadecvate și curățați suprafețele interne în mod necorespunzător se pot acumula mirosuri neplăcute.

- Pentru a evita acest lucru, curățați interiorul cu apă cu bicarbonat de sodiu la fiecare 15 zile.
- Păstrați alimentele în suporturi sigilate, deoarece microorganismele care apar din alimentele păstrate în recipiente nesigilate vor provoca mirosuri neplăcute.
- Nu păstrați în frigider alimente expirate și alterate.

### Protejarea suprafețelor din plastic

Dacă pe suprafețele din plastic se scurge ulei, acestea se pot deteriora; curățați-le imediat cu apă caldă.

manoperă. Este posibil ca unele funcții descrise aici să nu se aplice pentru produsul dvs.

### Frigiderul nu funcționează.

- Cablul de alimentare nu este complet reglat. >>> Introduceți ștecherul în priză.

- Siguranța prizei la care este conectat frigiderul sau siguranța principală este arsă. >>> Verificați siguranța.

### **Condens pe peretele lateral al compartimentului frigiderului (MULTI ZONE, COOL CONTROL și FLEXI ZONE).**

- Ușa este deschisă prea frecvent. >>> Aveți grijă să nu deschideți ușa frigiderului prea frecvent.
- Mediul este prea umed. >>> Nu instalați produsul în medii umede.
- Alimentele lichide sunt păstrate în recipiente deschise. >>> Păstrați alimentele lichide în recipiente închise.
- Ușa produsului este lăsată deschisă. >>> Nu lăsați ușa frigiderului deschisă perioade îndelungate de timp.
- Termostatul este setat la o temperatură foarte rece. >>> Setați termostatul la o temperatură adecvată.

### **Compresorul nu funcționează.**

- Sistemul de protecție termică a compresorului se va activa în cazul penelor de curent sau în cazul deconectării și reconectării la priză, întrucât presiunea din sistemul de răcire nu este încă echilibrată. Frigiderul va porni după circa 6 minute. Contactați un centru de service dacă frigiderul nu pornește după această perioadă.
- Dezghețare este activată. >>> Acest mod este normal pentru un frigider cu dezghețare automată. Ciclul de dezghețare are loc periodic.
- Frigiderul nu este conectat la priză. >>> Asigurați-vă că ștecherul este introdus corect în priză.
- Setarea de temperatură este incorectă. >>> Selectați temperatura adecvată.
- Nu este curent. >>> Frigiderul va continua să funcționeze normal după ce curentul revine.

### **În timpul funcționării frigiderului, zgomotul devine mai intens.**

- Modul de funcționare a frigiderului se poate modifica în funcție de condițiile ambientale. Acesta este un fenomen normal și nu reprezintă o defecțiune.

### **Frigiderul pornește des sau funcționează perioade îndelungate de timp.**

- Este posibil ca noul dvs. frigider să fie mai mare decât cel vechi. Frigiderule mari funcționează perioade îndelungate de timp.
- Temperatura încăperii poate fi ridicată. >>> De regulă, frigiderul funcționează perioade îndelungate de timp la temperaturi ridicate în încăpere.
- Este posibil ca frigiderul să fi fost conectat recent la priză sau să fi fost umplut recent cu alimente. >>> Dacă frigiderul a fost conectat recent la priză sau a fost umplut cu alimente, va dura mai mult până frigiderul va atinge temperatura setată. Este un lucru normal.
- Este posibil ca în frigider să fi fost introduse recent cantități mari de alimente calde. >>> Nu introduceți alimente calde în frigider.
- Este posibil ca ușile să fi fost deschise frecvent sau lăsate întredeschise mai mult timp. >>> Aerul cald care pătrunde în frigider determină funcționarea pe perioade mai îndelungate de timp. Deschideți mai rar ușile.
- Este posibil ca ușa congelatorului sau frigiderului să fi fost lăsată întredeschisă. >>> Verificați dacă ușile sunt închise corect.
- Produsul poate fi setat la o temperatură foarte joasă. >>> Selectați o temperatură mai ridicată și așteptați ca aceasta să fie atinsă.
- Este posibil ca garnitura ușii frigiderului sau congelatorului să fie murdară, uzată, ruptă sau poziționată incorect. >>> Curățați sau înlocuiți garnitura. Garniturile deteriorate/defecte determină funcționarea pe perioade îndelungate de timp a frigiderului pentru a se asigura temperatura corectă.

### **Temperatura congelatorului este foarte joasă, iar temperatura frigiderului este adecvată.**

- Ați selectat o temperatură foarte joasă a congelatorului. >>> Selectați o temperatură mai ridicată a congelatorului și verificați din nou.

### **Temperatura frigiderului este foarte joasă, iar temperatura congelatorului este adecvată.**

- Ați selectat o temperatură foarte joasă a frigiderului. >>> Setati o temperatură mai ridicată a compartimentului frigorific și verificați din nou.

### **Alimentele din sertarele frigiderului sunt înghețate.**

- Ați selectat o temperatură foarte joasă a frigiderului. >>> Setati o temperatură mai ridicată a compartimentului frigorific și verificați din nou.

### **Temperatura din frigider sau congelator este foarte mare.**

- Ați selectat o temperatură foarte ridicată a frigiderului. >>> Setarea temperaturii compartimentului de răcire are un efect asupra temperaturii din compartimentul congelatorului. Așteptați până când temperatura pieselor relevante atinge nivelul suficient prin schimbarea temperaturii compartimentelor de răcire sau de congelare.
- Este posibil ca ușile să fi fost deschise frecvent sau lăsate întredeschise mai mult timp. >>> Deschideți mai rar ușile.
- Este posibil ca ușa să fi fost lăsată întredeschisă. >>> Închideți complet ușa.
- Este posibil ca frigiderul să fi fost conectat recent la priză sau să fi fost umplut recent cu alimente. >>> Acest lucru este normal. Dacă frigiderul a fost conectat recent la priză sau a fost umplut cu alimente, va dura mai mult până frigiderul va atinge temperatura setată.
- Este posibil ca în frigider să fi fost introduse recent cantități mari de alimente calde. >>> Nu introduceți alimente calde în frigider.

### **Vibrații sau zgomot.**

- Suprafața nu este plană sau dură >>> Dacă frigiderul se clatină când este împins ușor, reglați picioarele pentru a echilibra frigiderul. De asemenea, asigurați-vă că podeaua este suficient de stabilă și poate susține frigiderul.
- Zgomotul poate fi provocat de obiectele amplasate pe frigider. >>> Aceste obiecte trebuie îndepărtate de pe frigider.
- Frigiderul emite zgomote asemănătoare curgerii sau pulverizării lichidelor etc.
- Funcționarea frigiderului se bazează pe circulația gazelor și lichidelor. >>> Acesta este un fenomen normal și nu reprezintă o defecțiune.

### **Frigiderul emite un zgomot similar cu suieratul vântului.**

- Frigiderul este prevăzut cu un ventilator pentru răcire. Acesta este un fenomen normal și nu reprezintă o defecțiune.

### **Condens pe pereții interiori ai frigiderului.**

- Mediile calde și umede favorizează formarea gheții și condensului. Acesta este un fenomen normal și nu reprezintă o defecțiune.
- Este posibil ca ușile să fi fost deschise frecvent sau lăsate întredeschise mai mult timp. >>> Deschideți mai rar ușile; dacă ușa este deschisă, închideți-o.
- Este posibil ca ușa să fi fost lăsată întredeschisă. >>> Închideți complet ușa.

### **Condens în exteriorul frigiderului sau între uși.**

- Este posibil ca mediul să fie umed. Acest fenomen este normal în medii umede. >>> La reducerea umidității, condensul va dispărea.

### **Mirosuri neplăcute în frigider.**

- Frigiderul nu este curățat în mod periodic. >>> Curățați periodic interiorul frigiderului folosind un burete, apă caldă și carbonatată.
- Este posibil ca mirosul să fie cauzat de anumite recipiente și ambalaje. >>> Folosiți un recipient sau un ambalaj care nu prezintă mirosuri neplăcute.

- Alimentele au fost introduse în recipiente deschise. >>> Păstrați alimentele în recipiente închise. Alimentele neetanșate corespunzător pot răspândi microorganismele și cauzează mirosuri neplăcute.
- Aruncați toate alimentele expirate sau alterate din frigider.

#### Ușa nu se închide.

- Este posibil ca ambalajele alimentelor să blocheze ușa. >>> Mutați alimentele care împiedică închiderea ușii.
- Este posibil ca frigiderul să fie înclinat. >>> Reglați picioarele de pentru a echilibra frigiderul.
- Suprafața nu este plană sau dură >>> Asigurați-vă că suprafața este plană și destul de dură pentru a susține produsul.

#### Cutia legume/fructe este blocată.

- Este posibil ca alimentele să atingă partea superioară a sertarului. >>> Rearanjați alimentele în sertar.

#### Temperatura la suprafața produsului.

- Temperatura ridicată poate fi observată între două uși, pe panourile laterale și pe suprafața grilei din spate în timp ce produsul este pus în funcțiune. Acest lucru este normal și nu necesită reparații.

#### Ventilatorul continuă să funcționeze atunci când ușa este deschisă.

- Ventilatorul poate continua să funcționeze atunci când ușa congelatorului este deschisă.



**AVERTISMENT:** Dacă problema persistă după ce ați urmat instrucțiunile din acest capitol, contactați distribuitorul dvs. sau un centru de service autorizat. Nu încercați să reparați produsul. Este un lucru normal.

## DECLINARE RESPONSABILITATE / AVERTIZARE

Unele defecțiuni (simple) pot fi tratate în mod adecvat de către utilizatorul final fără a apărea nicio problemă de siguranță sau utilizare nesigură, cu condiția ca acestea să fie efectuate în limitele și în conformitate cu următoarele instrucțiuni (consultați secțiunea „Auto-reparare”).

Prin urmare, dacă în secțiunea „Auto-reparare” de mai jos nu este autorizat altfel, reparațiile vor fi adresate mecanicilor profesioniști înregistrați pentru a evita problemele de siguranță. Un mecanic profesionist înregistrat este un mecanic profesionist cărui i s-a acordat acces la instrucțiunile și lista de piese de schimb ale acestui produs de către producător conform metodelor descrise în actele legislative în conformitate cu Directiva 125/2009/CE.

**Cu toate acestea, numai agentul de service (adică mecanicii profesioniști autorizați) pe care îl puteți contacta de la numărul de telefon indicat în manualul de utilizare/cardul de garanție sau prin**

**dealer-ul dumneavoastră autorizat poate asigura service-ul în condițiile garanției.** Prin urmare, vă rugăm să rețineți că reparațiile efectuate de mecanici profesioniști (care nu sunt autorizați de Grundig) vor duce la anularea garanției.

#### Auto-repararea

Auto-repararea poate fi efectuată de utilizatorul final cu privire la următoarele piese de schimb: mânere de uși, balamale uși, tăvi, coșuri și garnituri de ușă (o listă actualizată este disponibilă [support.grundig.com](http://support.grundig.com) începând cu 1 martie 2021).

Mai mult, pentru a asigura siguranța produsului și pentru a preveni riscul de vătămare gravă, auto-repararea menționată se va face urmând instrucțiunile din manualul de utilizare pentru auto-reparare sau care sunt disponibile în [support.grundig.com](http://support.grundig.com). Pentru siguranța dumneavoastră, scoateți produsul din priză înainte de a încerca orice auto-reparare.

Reparațiile și încercarea de reparații ale utilizatorilor finali pentru piesele care nu sunt incluse în această listă și/sau care nu respectă instrucțiunile din manualele de utilizare pentru auto-reparare sau care sunt disponibile în [support.grundig.com](http://support.grundig.com), ar putea ridica probleme de siguranță care nu pot fi atribuite Grundig, și ar putea duce la anularea garanției produsului.

Prin urmare, este recomandat cu tărie ca utilizatorii finali să se abțină de la încercarea de a efectua reparații care nu se încadrează în lista menționată de piese de schimb, contactând în astfel de cazuri mecanici profesioniști autorizați sau mecanici profesioniști înregistrați. În caz contrar, încercările de reparație efectuate de utilizatorii finali pot cauza probleme legate de siguranță, pot deteriora produsul și pot cauza incendii, inundații, electrocutări și grave vătămări corporale.

Cu titlu de exemplu, dar fără a se limita la, următoarele reparații trebuie să fie adresate mecanicilor profesioniști autorizați sau mecanicilor profesioniști înregistrați: compresor, circuit de răcire, placa principală, placă invertor, placă de afișare etc.

Producătorul/vanzătorul nu poate fi tras la răspundere în niciun caz în care utilizatorii finali nu respectă cele de mai sus.

Disponibilitatea pieselor de schimb ale frigiderului pe care l-ați achiziționat este de 10 ani. În această perioadă, vor fi disponibile piese de schimb originale pentru ca frigiderul să funcționeze corect.

Durata minimă a garanției pentru frigiderul pe care l-ați achiziționat este de 24 de luni.

Acest produs este prevăzut cu o sursă de iluminare de clasă energetică „G”.

Sursa de iluminare a acestui produs trebuie înlocuită numai de mecanici profesioniști.