

EN

FR

ES

PL

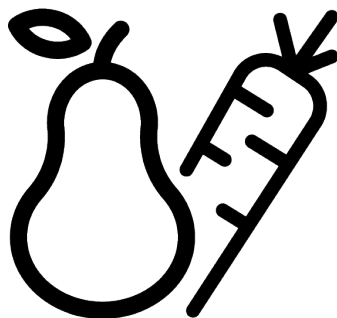
GRUNDIG

Refrigerator / User Manual

Réfrigérateur / Manuel d'utilisation

Frigorífico / Manual del usuario

Chłodziarko-zamrażarka / Instrukcja Obsługi



GKPN66830LXP - GKPN66930LXP

58 8395 0000/ EN/ FR/ ES/ PL/ AA_1/2/ 18.08.2022 14:37
7282946901_7282946902



Please read this manual first!

Dear Customer

Please read this manual before using the product.

Thank you for choosing this Grundig product. We would like you to achieve the optimal efficiency from this high quality product which has been manufactured with state of the art technology. To do this, carefully read this manual and any other documentation provided before using the product and keep it as a reference.

Heed all information and warnings in the user manual. This way, you will protect yourself and your product against the dangers that may occur.

Keep the user manual. Include this manual with the unit if you hand it over to someone else.

The following symbols are used in the user manual:



Hazard that may result in death or injury.



Important information or useful tips on operation.






Read the user manual.



Combustible material, warning against fire hazard.

NOTICE A hazard that may cause material damage to the product or its surroundings

  SUPPLIER'S NAME  MODEL IDENTIFIER → (*) 	<p>The model information as stored in the product data base can be reached by entering following website and searching for your model identifier (*) found on energy label.</p> <p>https://eprel.ec.europa.eu/</p>
--	--

1	Safety Instructions.....	4
1.1	Intention of Use	4
1.2	Safety of Children, Vulnerable Persons and Pets	4
1.3	Electrical Safety.....	5
1.4	Handling Safety	6
1.5	Installation Safety.....	6
1.6	Operational Safety.....	8
1.7	Food Storage Safety.....	10
1.8	Maintenance and Cleaning Safety	10
2	Environmental Instructions.....	11
2.1	Compliance with the WEEE Dir- ective and Disposing of the Waste Product	11
3	Your Refrigerator	12
4	Installation	12
4.1	Right Place For Installation.....	12
4.2	Electrical Connection	13
4.3	Attaching the Plastic Wedges	13
4.4	Adjusting the Legs.....	13
4.5	Hot Surface Warning.....	14
5	Preparation.....	14
5.1	What to Do for Energy Saving.....	14
5.2	First Use	14
5.3	Climate Class and Definitions	15
6	Operating the Product.....	15
7	Use of Your Appliance.....	16
7.1	Control Panel of the Product	16
7.2	Storing Food in the Cooler Com- partment.....	18
7.3	Dairy Products Cold Storage Area	20
7.4	Reversing the Door Opening Side.	21
7.5	Door Open Alert	21
7.6	Foldable Wine Rack.....	21
7.7	Replacing the Illumination Lamp..	21
7.8	AeroFresh.....	21
8	Maintenance and Cleaning	21
9	Troubleshooting	22

1 Safety Instructions

- This section includes the safety instructions necessary to prevent the risk of personal injury or material damage.
- Our company shall not be held responsible for damages that may occur if these instructions are not observed.



Always have installation and repair operations performed by manufacturer, authorized service or a person who will be described by importer company.



Use original spare parts and accessories only.



Do not repair or replace any component of the product unless it is clearly specified in the user manual.



Do not perform any modifications on the product.

1.1 Intention of Use

- This product is not suitable for commercial use and should not be used for a purpose other than its intended use.
- This product is intended for operating interiors, such as households or similar.

For example;

In the staff kitchens of the stores, offices and other working environments,

In farm houses,

In the units of hotels, motels or other resting facilities that are used by the customers,

In hostels, or similar environments,

In catering services and similar non-retail applications.

- This product shall not be used in open or enclosed external environments such as vessels, camper vans, balconies or terraces. Exposing the product to rain, snow, sunlight and wind may cause risk of fire.

1.2 Safety of Children, Vulnerable Persons and Pets



- This product may be used by children aged 8 years and older and persons with underdeveloped physical, sensory or mental capabilities or lack of experience and knowledge if they are being supervised or have been given instruction concerning use of the appliance in a safe way and the hazards involved.

- Children between 3 and 8 years are allowed to put and take out food into/from the cooler product.
- Electrical products are dangerous for children and pets. Children and pets must not play with, climb on, or enter the product.
- Cleaning and user maintenance should not be performed by children unless there is someone overseeing them.
- Keep the packaging materials away from children. Risk of injury and suffocation.

Before disposing of old products that shall not be used any more:

1. Unplug the power cord from the mains socket.
 2. Cut the power cable and remove it from the appliance together with the plug.
 3. Do not remove the racks and drawers from the product to prevent children from getting inside the appliance.
 4. Remove the doors.
 5. Store the product so that it shall not be tipped over.
 6. Do not allow children to play with the scrapped product.
- Do not dispose of the product by throwing it into fire. Risk of explosion.

- If there is a lock available on the product's door, keep the key out of children's reach.

1.3 Electrical Safety

- The product shall not be plugged into the outlet during installation, maintenance, cleaning, repair, and transportation operations.
- If the power cable is damaged, it shall only be replaced by authorized service to avoid any risks that may occur.
- Do not tuck the power cable under the product or to the rear of the product. Do not put heavy items on the power cable. The power cable should not be bent, crushed, and come into contact with any heat source.
- Do not use an extension cord, multi-plug or adaptor to operate your product.
- Portable multi-plugs or portable power supplies may overheat and cause fire. Thus, do not have a multi-plug, portable power sources behind or in the vicinity of the product.
- Do not plug the product's power cord in a loose or damaged power outlet. These types of connections may overheat and cause fire.

- The plug shall be easily accessible. If this is not possible, a mechanism that meets the electrical legislation and that disconnects all terminals from the mains (fuse, switch, main switch, etc.) shall be available on the electrical installation.
- Do not touch the plug with wet hands.
- When unplugging the appliance, don't hold the power cord, but the plug.

1.4 Handling Safety

- This product is heavy, do not handle it by yourself.
- Do not hold the product from its door while handling the product.
- Be careful not to damage the cooling system and the pipes while handling the product. Do not operate the product if the pipes are damaged, and contact an authorized service.

1.5 Installation Safety

- Contact the Authorized Service for the product's installation. To prepare the product for use, see the information in the user manual and make sure the electric and water utilities are as required. If not, call a qualified electrician and plumber to

arrange the utilities as necessary. Failure to do so may result in electric shock, fire, problems with the product, or injury.

- Check for any damage on the product before installing it. Do not have the product installed if it is damaged.
- Place the product on a clean, level and hard surface and balance it with the adjustable legs. Otherwise, the refrigerator may tip over and cause injuries.
- The product shall be installed in a dry and ventilated environment. Do not keep carpets, rugs or similar covers under the product. This may cause risk of fire as a result of inadequate ventilation!
- Do not block or cover ventilation holes. Otherwise, power consumption increases and your product may be damaged.
- The product must not be connected to supply systems such as solar power supply. Otherwise, your product may be damaged due to sudden voltage changes!
- The more refrigerant a refrigerator contains, the bigger its installation room should be. In very small rooms, a flammable

gas-air mixture may occur in case of a gas leak in the cooling system. At least 1 m³ of volume is required for each 8 grams of refrigerant. The amount of the refrigerant available in your product is specified in the Type Label.

- The installation place of the product shall not be exposed to direct sunlight and it shall not be in the vicinity of a heat source such as stoves, radiators, etc. If you cannot prevent installation of the product in the vicinity of a heat source, use a suitable insulation plate and make sure the minimum distance to the heat source is as specified below:
 - At least 30 cm away from heat sources such as stoves, ovens, heating units and heaters, etc.,
 - And at least 5 cm away from electrical ovens.
- Your product has the protection class of I.
- Plug the product in a grounded socket that conforms with the Voltage, Current and Frequency values specified in the type label. The socket must have a 10A – 16A fuse. Our firm will not assume responsibility for any damages due to usage without earthing and without power connection in compliance with local and national regulations.
- The product's power cable must be unplugged during installation. Otherwise, risk of electric shock and injury may occur!
- Do not plug the product's power cord in loose, dislocated, broken, dirty, oily power outlets which have a risk of water contact. These types of connections may cause overheating and fire.
- Place the power cable and hoses (if any) of the product so that they shall not cause a risk of tripping over.
- Penetration of humidity and liquid to live parts or to the power cord may cause short circuit. Thus, do not use the product in humid environments or in areas where water may splash (e.g. garage, laundry room, etc.) If the refrigerator is wet by water, unplug it and contact an authorized service.
- Do not ever connect your refrigerator to power saving devices. These systems are harmful for the product

1.6 Operational Safety

- Do not ever use chemical solvents on the product. These materials contain an explosion risk.
- In case of a failure of the product, unplug it and do not operate until it is repaired by the authorized service. There is a risk of electric shock!
- Do not place a source of flame (e.g. candles, cigarettes, etc.) on the product or in the vicinity of it.
- Do not get on the product. Risk of falling and injury!
- Do not cause damage to the pipes of the cooling system using sharp and piercing tools. The refrigerant that sprays out in case of puncturing the gas pipes, pipe extensions or upper surface coatings may cause irritation of skin and injury to the eyes.
- Do not place and operate electrical appliances inside the refrigerator/freezer unless it is advised by the manufacturer.
- Do not jam any parts of your hands or your body to the moving parts inside the product. Be careful to prevent jamming of your fingers between the refrigerator and its door. Be careful while opening or closing the door if there are children around.
- Do not put ice cream, ice cubes or frozen food to your mouth as soon as you take them out of the freezer. Risk of frostbite!
- Do not touch the inner walls, metal parts of the freezer or food kept inside the freezer with wet hands. Risk of frostbite!
- Do not place soda cans or cans and bottles that contain fluids that may be frozen to the freezer compartment. Cans or bottles may explode. Risk of injury and material damage!
- Do not use or place materials sensitive against temperature such as flammable sprays, flammable objects, dry ice or other chemical agents in the vicinity of the refrigerator. Risk of fire and explosion!
- Do not store explosive materials such as aerosol cans with flammable materials inside the product.
- Do not place cans containing fluids over the product an open state. Splashing of water on an electrical part may cause the risk of an electric shock or a fire.

- This product is not intended for storage and cooling of medicines, blood plasma, laboratory preparations or similar materials and products that are subject to the Medical Products Directive.
- If the product is used against its intended purpose, it may cause damage to or deterioration of the products kept inside.
- If your refrigerator is equipped with blue light, do not look at this light with optical devices. Do not stare directly at UV LED light for a long time. Ultraviolet rays may cause eye strain.
- Do not fill the product with more food than its capacity. Injuries or damages may occur if the contents of the refrigerator fall when the door is opened. Similar problems may also occur when an object is placed over the product.
- Ensure that you have removed any ice or water that may have fallen to the floor to prevent injuries.
- Change the locations of the racks/bottle racks on the door of your refrigerator only when the racks are empty. Danger of injury!
- Do not place objects that may fall/tip over on the product. These objects may fall while opening or closing the door and cause injuries and/or material damages.
- Do not hit or exert excessive pressure on glass surfaces. Broken glass may cause injuries and/or material damages.
- The cooling system in your product contains R600a refrigerant. The refrigerant type used in the product is specified in the type label. This gas is flammable. Therefore, be careful not to damage the cooling system and the pipes while operating the product. In case of damage to the pipes;
 1. Do not touch the product or the power cable.
 2. Keep the product away from potential sources of fire that may cause the product to catch fire.
 3. Ventilate the area where the product is placed. Do not use a fan.
 4. Contact Authorized Service.
 5. If the product is damaged and you observe gas leak, please stay away from the gas. Gas may cause frostbite if it contacts your skin.

1.7 Food Storage Safety

Please pay attention to the following warnings to avoid food spoilage:

- Leaving the doors open for a long time may cause the temperature inside the product to rise.
- Regularly clean the accessible drainage systems in contact with food.
- Clean the water tanks that have not been used for 48 hours and mains-fed water systems that have not been used for more than 5 days.
- Store raw meat and fish products in appropriate compartments within the product. Thus, it does not drip on or come into contact with other foods.
- Two-star freezer compartments are used for storing pre-filled foods, making and storing ice and ice cream.
- One, two and three-star compartments are not appropriate for freezing fresh food.
- If the cooling product has been left empty for a long time, turn off the product, defrost, clean, and dry the product in order to protect the housing of the product.

1.8 Maintenance and Cleaning Safety

- Unplug the refrigerator before cleaning it or starting to perform maintenance.
- Do not pull by the door handle if you shall move the product for cleaning purposes. Handle may cause injuries if it is pulled too hard.
- Do not put your hands etc. under the refrigerator. Jamming may occur or any sharp edge may cause personal injuries.
- Do not clean the product by spraying or pouring water on the product and inside the product. Risk of electric shock and fire.
- When cleaning the product, do not use sharp and abrasive tools or household cleaning agents, detergent, gas, gasoline, thinner, alcohol, varnish, and similar substances. Use only cleaning and maintenance agents that are not harmful for food inside the product.
- Do not ever use steam or steamed cleaning materials for cleaning the product and thawing the ice inside it. Steam con-

tacts the live areas in your refrigerator and causes short circuit or electric shock.

- Take care to keep water away from the ventilation holes, electronic circuits or lighting of the product.

- Use a clean, dry cloth to wipe the dust or foreign material on the tips of the plugs. Do not use a wet or damp piece of cloth to clean the plug. Otherwise, risk of fire or electric shock may occur.

2 Environmental Instructions

2.1 Compliance with the WEEE Directive and Disposing of the Waste Product



This product complies with EU WEEE Directive (2012/19/EU). This product bears a classification symbol for waste electrical and electronic equipment (WEEE).

This symbol indicates that this product shall not be disposed with other household wastes at the end of its service life. Used device must be returned to official collection point for recycling of electrical and electronic devices. To find these collection systems please contact to your local authorities or retailer where the product was purchased. Each household performs important role in recovering and recycling of old appliance. Appropriate disposal of used

appliance helps prevent potential negative consequences for the environment and human health.

Compliance with RoHS Directive

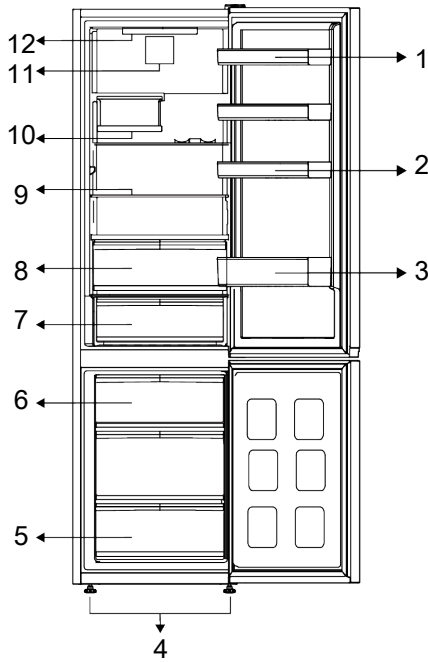
The product you have purchased complies with EU RoHS Directive (2011/65/EU). It does not contain harmful and prohibited materials specified in the Directive.



Package information

Packaging materials of the product are manufactured from recyclable materials in accordance with our National Environment Regulations. Do not dispose of the packaging materials together with the domestic or other wastes. Take them to the packaging material collection points designated by the local authorities.

3 Your Refrigerator



- | | |
|-----------------------------|---------------------------|
| 1 * Adjustable Door Shelves | 2 * Egg Holders |
| 3 * Bottle Shelf | 4 * Adjustable Front Legs |
| 5 * Freezer Compartment | 6 * Ice Container |
| 7 * Cold Storage Drawer | 8 * Crisper |
| 9 * Adjustable Shelves | 10 * Foldable Wine Bin |
| 11 * Fan | 12 * Illumination Lamp |

***Optional:** Figures in this user manual are schematic and may not exactly match your product. If your product does not comprise the relevant parts, the information pertains to other models.

4 Installation



Read the "Safety Instructions" section first!

4.1 Right Place For Installation

Contact the Authorized Service for the product's installation. To prepare the product for installation, see the information

in the user manual and make sure the electric and water utilities are as required. If not, call an electrician and plumber to arrange the utilities as necessary.

**WARNING:**

The manufacturer assumes no responsibility for any damages caused by the work carried out by unauthorized persons.

**WARNING:**

The product's power cable must be unplugged during installation. Failure to do so may result in death or serious injuries!

**WARNING:**

If the door span is too narrow for the product to pass, remove the door and turn the product sideways; if this does not work, contact the authorized service.

- Place the product on a flat surface to avoid vibration.
- Place the product at least 30 cm away from the heater, stove and similar sources of heat and at least 5 cm away from electric ovens.
- Do not expose the product to direct sunlight or keep it in damp environments.
- Your product requires adequate air circulation to function efficiently. If the product will be placed in an alcove, remember to leave at least 5 cm clearance between the product and the ceiling, rear wall and the side walls.
- Check if the rear wall clearance protection component is present at its location (if provided with the product).
- If the component is not available, or if it is lost or fallen, position the product so that at least 5 cm clearance shall be left between the rear surface of the product and the wall of the room. The clearance at the rear is important for efficient operation of the product.

4.2 Electrical Connection



Do not use extension or multi sockets in power connection.



Damaged power cable must be replaced by Authorized Service.



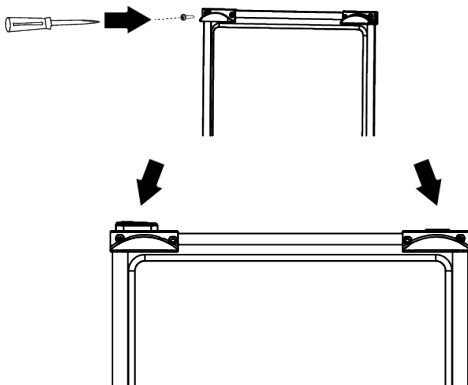
When placing two coolers in adjacent position, leave at least 4 cm distance between the two units.

- Our firm will not assume responsibility for any damages due to usage without earthing and power connection in compliance with national regulations.
- The power cable plug must be easily accessible after installation.
- Do not use multi-group plug with or without extension cable between the wall socket and the refrigerator.

4.3 Attaching the Plastic Wedges

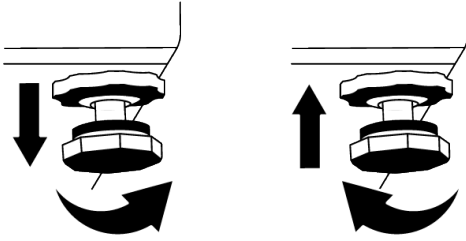
Use the plastic wedges provided with the product to maintain sufficient space for air circulation between the product and the wall.

1. To attach the wedges, remove the screws on the product and use the screws provided with the wedges.
2. Attach 2 plastic wedges on the ventilation cover as shown in the figure.



4.4 Adjusting the Legs

If the product is not in balanced position, adjust the front adjustable legs by rotating them to right or left.



4.5 Hot Surface Warning

The side walls of your product are equipped with cooler pipes to enhance the cooling system. High pressure fluid may flow through these surfaces, and cause hot surfaces on the side walls. This is normal and it does not require servicing. Be careful when you contact these areas.

5 Preparation



Read the "Safety Instructions" section first!

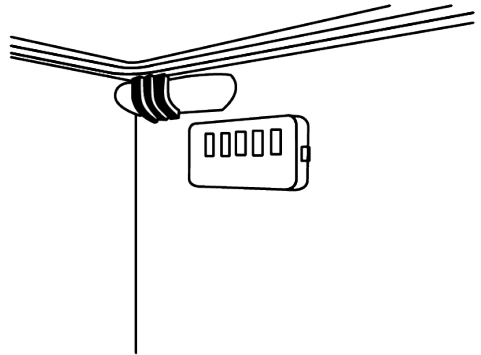
5.1 What to Do for Energy Saving



Connecting the product to electronic energy-saving systems is harmful, as it may damage the product.

- This refrigerating appliance is not intended to be used as a built in appliance.
- Do not keep the refrigerator doors open for long periods.
- Do not place hot food or beverages into the refrigerator.
- Do not overfill the refrigerator; blocking the internal air flow will reduce cooling capacity.
- In order to load the maximum quantity of food into the freezer compartment of your refrigerator, the upper drawers should be taken out and the food should be placed onto the wire/glass shelves. Net volume and energy consumption information declared in the energy label of your refrigerator was tested by taking out the upper drawers in the cooler department and the ice bucket, which is easily removable by hand.
- Using the below drawer when storing is strongly recommended.
- Depending on the product's features; defrosting frozen foods in the cooler compartment will ensure energy saving and preserve food quality.

- Make sure the foods are not in contact with the cooler compartment temperature sensor described below.



- If they are in contact with the sensor, energy consumption of the appliance might increase
- Food shall be stored using the drawers in the cooler compartment in order to ensure energy saving and protect food in better conditions.
- Food packages shall not be in direct contact with the temperature sensor located in the freezer compartment.

5.2 First Use

Before using your refrigerator, make sure the necessary preparations are made in line with the instructions in "Safety and Environmental Instructions" and "Installation" sections.

- Keep the product running without placing any food inside for 6 hours and do not open the door, unless absolutely necessary.
- The temperature change caused by opening and closing of the door while using the product may normally lead to condensation on door/body shelves and glassware placed in the product.



A sound will be heard when the compressor is engaged. It is normal for the product to make noise even if the compressor is not running, as fluid and gas may be compressed in the cooling system.



It is normal for the front edges of the refrigerator to be warm. These areas are designed to warm up in order to prevent condensation.



For some models, indicator panel turns off automatically 1 minute after the door closes. It will be re-activated when the door is opened or any button is pressed.

5.3 Climate Class and Definitions

Please refer to the Climate Class on the rating plate of your device. One of the following information is applicable to your device according to the Climate Class.

- **SN:** Long Term Temperate Climate: This cooling device is designed for use at ambient temperatures between 10 °C and 32 °C.
- **N:** Temperate Climate: This cooling device is designed for use at ambient temperatures between 16°C and 32 °C.
- **ST:** Subtropical Climate: This cooling device is designed for use at ambient temperatures between 16°C and 38°C.
- **T:** Tropical Climate: This cooling device is designed for use at ambient temperatures between 16°C and 43°C.

6 Operating the Product



Read the "Safety Instructions" section first!

- Do not use any mechanical tools or any other tools than the recommendations of the manufacturer to speed up the thawing operation.
- Do not use parts of your refrigerator such as the door or drawers as a support or a step. This may cause the product to trip over or its components to be damaged.
- The product shall be used for storing food only.

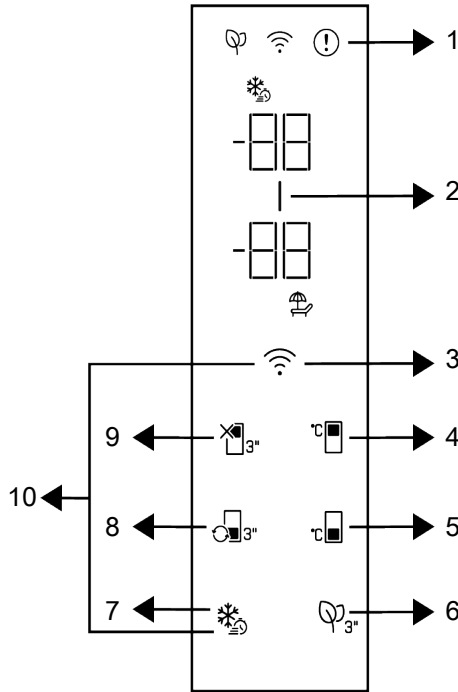
- Turn off the water valve if you will be away from home (e.g. at vacation) and you will not be using the Icematic or the water dispenser for a long period of time. Otherwise, water leaks may occur.

Unplugging the Product

- If you are not going to use the product for a long time, unplug the product from the socket.
- Remove the food to prevent odours,
- Wait for the ice to melt, clean the interior and let it dry, leave the doors open to avoid damaging the inner body plastics.

7 Use of Your Appliance

7.1 Control Panel of the Product



1 * Error Status Indicator

3 *Wireless Key

5 * Freezer Compartment Temperature Setting Key

7 * Quick Freezing Key

9 * Cooler Compartment OFF (Vacation) Function

2 * Energy Saving (Display Off) Indicator

4 * Cooler Compartment Temperature Setting Key

6 * Deodoriser Module Key

8 *Compartment Conversion Key

10 *Key for Resetting Wireless Connection Settings



Read the "Safety Instructions" section first.

Auditory and visual functions on the indicator panel will assist you in using the refrigerator.

***Optional:** Shown functions are optional, there may be differences of shape and location in functions found on your appliance's indicator panel.

1. Error Condition Indicator

This indicator shall be active when your refrigerator cannot perform adequate cooling or in case of any sensor error. "E" will be displayed on the freezer compartment temperature indicator and figures such as 1,2,3... will be displayed on the cooler compartment temperature indicator. These figures on the indicator provide information to the authorized service about the error that has occurred. Exclamation mark may be displayed when you load warm food to the freezer compartment or keep the door open for a long period of time. This is not a fault, this warning shall be removed when the food is cooled down or when any key is pressed.

2. Energy Saving (Display Off) Indicator

Energy saving function is enabled automatically and the energy saving symbol lights up when the door of the product is not opened or closed for some period of time. When the energy saving function is active, all symbols on the display except the energy saving symbol shall be turned off. When the energy saving function is active, pressing any key or opening the door will deactivate the energy saving function and the display signals will return to normal. The energy saving function is a function activated ex-factory and cannot be cancelled.

3. Wireless Key

This key is utilized to connect wirelessly to your appliance through HomeWhiz mobile application. If the key is pressed for a long time (3 seconds), the wireless connection symbol on the display/indicator will blink slowly (in 0.5 second intervals). The home network is initialized on the product this way. After achieving wireless connection with the product, wireless connection symbol illuminates continuously. You may activate/deactivate the connection after the first setting is completed by pressing this key. The wireless connection symbol will flash quickly (at 0.2 second intervals) until the connection is established. When the

connection becomes active, wireless connection symbol flashes continuously. If the connection cannot be established for a long period, check your connection settings and refer to the "Troubleshooting" section provided in the user manual. Use HomeWhiz application for wireless connection. The installation steps are described on the application during installation. You may access the application by reading the QR code available on the HomeWhiz label on the product. The application can be obtained from App Store for IOS devices or from Play Store for Android devices. For details visit <https://www.homewhiz.com/> address.

4. Cooler Compartment Temperature

Setting Key

Allows setting of temperature for cooler compartment. Pressing the key will enable the cooler compartment temperature to be set at 8°C, 7°C, 6°C, 4°C, 3°C, 2°C, and 1 °C.

5. Freezer Compartment Temperature

Setting Key

Temperature setting is made for freezer compartment. Pressing the key will enable the freezer compartment temperature to be set at -18 °C, 19°C, -20 °C, -21 °C, -22 °C, -23 °C, and -24 °C.

6. Deodoriser Module Key

Press this key for 3 seconds to activate/deactivate the deodoriser feature. When the deodoriser feature is active, the deodoriser module icon is illuminated. When the feature is active, the deodoriser module will be operated periodically.

7. Quick Freezing Key

When the quick freezing key is pressed the quick freezing symbol shall be illuminated and the quick freezing function shall be activated. The freezer compartment temperature is set to -27 °C. Press the key again to cancel the function. The quick freezing function will be automatically cancelled after 24 hours. To freeze a large amount of

fresh food, press the quick freezing key before placing the food in the freezer compartment.

8. Compartment Conversion Key

When the compartment conversion key is pressed for 3 seconds, the freezer compartment switches between cooler, off and freezer modes, respectively. When it is operated as cooler compartment, the compartment temperature is set as 4 °C. In OFF mode, compartment temperature indicator shall display "--".

9. Cooler Compartment Off (Vacation)

Function Key

Press the key for 3 seconds to activate the vacation function. Vacation mode is activated and the vacation symbol is illuminated. "--" expression is displayed on the

7.2 Storing Food in the Cooler Compartment

Storing Food in the Cooler Compartment

- Compartment temperatures rise prominently if compartment door is opened and closed frequently and kept open for a long time, this can reduce the life span of the food and cause the food to spoil.
- In order not to cause odour and taste changes, the food should be stored in the closed containers.
- Do not store too much food in your refrigerator. To achieve a better and homogeneous cooling, place the food separately in a way that cold air can wander through them.
- Provide air flow by leaving a space between the food and internal wall. If you lean the food against the rear wall, the food may freeze.
- Bring cooked hot meals to the room temperature before placing them in the refrigerator. Then, you can place the tepid meal in the lower shelves of your refrigerator. Do not place the tepid meals close to the foods which may easily spoil.

cooler compartment temperature indicator and the cooler compartment does not perform active cooling operation. It is not suitable to keep your food in the cooler compartment when this function is activated. The other compartments continue to cool according to temperatures set before. Press the key for 3 seconds again to cancel this function.

10. Key for Resetting Wireless Connection Settings

To reset wireless connection settings, Quick freezing and Wireless connection keys should be pressed simultaneously for 3 seconds. All user information recorded previously are removed on the product where wireless connection settings are reset/restored to factory defaults.

- Defrost your frozen food in the fresh food compartment. Thereby, you can cool fresh food compartment by using frozen food and save energy.
- Storing unripe tropical fruits (mango, melon varieties, papaya, banana, pineapple) in the refrigerator may speed up the ripening process. This is not recommended because it will cause shorter storage time.
- You should store onions, garlcs, gingers and other root vegetables in dark and cold room conditions, not in the refrigerator.
- If you notice that a food has spoiled in the refrigerator, throw away that food and clean the accessories which have come into contact with it.
- In order to cool the meals like soups and stews, which are cooked in the large pots, quickly, you can put them in the refrigerator by separating them into their own shallow containers.
- Do not place unpackaged food close to eggs.

- Keep the fruits and vegetables separately and store each variety together (for example; apples with apples, carrots with carrots)
- Take green vegetables out of the plastic bag and place them in the refrigerator after wrapping them in a paper towel or drying cloth. If you wash this type of food before placing them in the refrigerator, remember to dry them.
- You can both create a damp environment and provide an air flow by keeping fruits and vegetables, which are prone to drying, in the perforated or unsealed plastic bags.
- Except the cases where extreme circumstances are available in the environment, if your product (on the recommended set values table) is set to the specified set values, the food keep their freshness for a longer time both in the fresh product compartment and freezer compartment.

Store Foods In The Different Places According To Their Properties:	
Food	Location
Egg	Door Shelf
Dairy products (butter, cheese)	If available, zero degree (for breakfast food) compartment
Fruits, vegetables and greenery	Fruit-vegetable compartment, crisper or EverFresh+ compartment (if available)
Fresh meat, poultry, fish, sausage etc. Cooked foods	If available, zero degree (for breakfast food) compartment
Ready to serve foods, packaged products, canned foods and pickles	Top shelves or door shelf
Beverages, bottles, spices and snacks	Door Shelf

Storing Food In The Freezer Compartment

- You can activate Quick Freezing function 4-6 hours before freezing function and perform a faster cooling.
- Bring hot meals to the room temperature before placing them in the freezer compartment.
- Foods to be frozen must be divided into portions according to a size to be consumed, and frozen in separate packages.
- It is recommended to pack the foods before placing them in the freezer.
- In order to prevent expiration of storage time, write the freezing date, time and name of the product on the package according to the storage times of different foods.
- Consume the foods you have defrosted quickly. Defrosted foods cannot be frozen again unless they are cooked. It is not safe to consume the refrozen fresh foods without cooking after they are defrosted.

- As you freeze fresh foods, do not bring them in contact with already frozen foods. Otherwise, frozen foods will be defrosted.

Storing The Foods, Which Are Sold Frozen

- Always follow the instructions of the producer in relation to the time during which you are required to store your foods. Do not exceed the time specified in these instructions!
- In order to protect the quality of the food, keep the time interval between purchasing transaction and storing as short as possible.
- Buy frozen food which are stored at -18°C or lower temperatures.
- Avoid buying foods whose packages are covered with ice etc. This means that the product could be partially defrosted and refrozen. Temperature impacts the quality of the food.

- Do not exceed the storing time recommended by the food producer. Remove only the food as much as you need from the freezer.
- Except the cases where extreme circumstances are available in the environment, if your product (on the recommended set

- values table) is set to the specified set values, the food keep their freshness for a longer time both in the fresh product compartment and freezer compartment.
- If fresh food compartment is set to a lower temperature, fresh fruits and vegetables may be partially frozen.

Recommended Set Values Table

Freezer Compartment Setting	Fridge Compartment Setting	Remarks
-22 °C	4 °C	This is the default, recommended setting. This setting is recommended if ambient temperature is below 30 °C.
-20 °C	6 °C	This settings is recommended for ambient temperatures exceeding 25 °C.
Quick Freeze	4 °C	Use when you want to freeze your food in a short time. When the process is done, it will go back to its previous position.

Quick Freezing

1. Activate the quick freezing function 24 hours before placing your fresh foods.
2. After 24 hours after pressing the button, place your food that you want to freeze on the second shelf with higher freezing capacity.
3. The quick freezing function will be automatically deactivated after 48 hours.

Freezer Details

As per the IEC 62552 standards, the freezer must have the capacity to freeze 4.5 kg of food items at -18 °C or lower temperatures at 25 °C room temperature in 24 hours for each 100 litres of freezer compartment volume.

Food products can only be preserved for extended periods at or below temperature of -18 °C.

You can keep the foods fresh for months (in freezer at or below temperatures of -18 °C).

The food products to be frozen must not contact the already-frozen food inside to avoid partial defrosting.

Boil the vegetables and filter the water to extend the frozen storage time. Place the food in air-tight packages after filtering and place in the freezer. Bananas, tomatoes, lettuce, celery, boiled eggs, potatoes and

similar food items should not be frozen. In case these foods are frozen, only nutritional values and eating qualities will be negatively affected. A rotting that would threaten human health is not in question.

Placing The Food

Freezer compartment shelves: Different frozen foods like meat, fish, ice cream, vegetables etc.

Cooler compartment shelves: Food items inside pots, capped plate and capped cases, eggs (in closed case)

Cooler compartment door shelves: Small and packaged food or beverages

Crisper: Vegetables and fruits

Fresh food compartment: Delicatessen (breakfast food, meat products to be consumed in short time)

7.3 Dairy Products Cold Storage Area

Cold Storage Drawer

The Cold Storage Drawer can reach lower temperatures in the cooler compartment. Use this drawer for delicatessen products (salami, sausage, etc.) and dairy products that require colder storage conditions, or for meat, chicken or fish to be consumed quickly. It is not suitable to store fruits and vegetables in this drawer.

7.4 Reversing the Door Opening Side

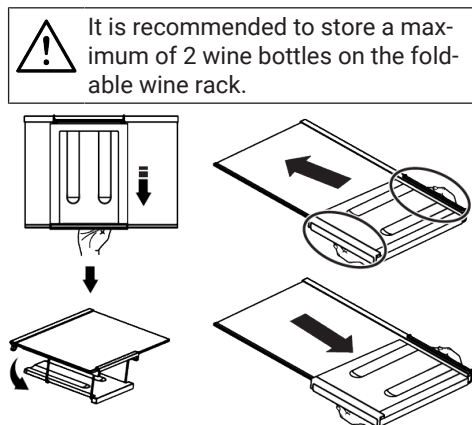
The door opening side of your refrigerator can be reversed according to the place you put it. When you need this, you should definitely call the nearest Authorized Service.

7.5 Door Open Alert

An audible alert will be heard if the product's door remains open for 1 minute. The audible alert will stop when you close the cabinet door or press any button on the display (if available).

7.6 Foldable Wine Rack

It allows the user to store wine bottles if necessary. To use the rack section, grasp the plastic part and gently pull it down. You can now use the foldable wine rack.



To group the wine rack, first remove the glass shelf from the refrigerator. Place it on the glass shelf by pushing the plastic part through the front and back grooves as shown in the picture. The product will be ready to use with the foldable wine rack.

To remove the foldable wine rack, first remove the glass shelf from the refrigerator. Then grab the plastic part and pull it in any direction. You can now use the product without a foldable wine rack when needed.

7.7 Replacing the Illumination Lamp

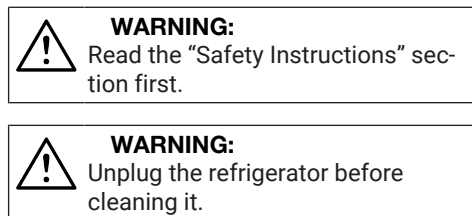
Call the Authorized Service when the Bulb/LED used for lighting in your refrigerator will be replaced.

Lamp(s) used in this appliance cannot be used for house lighting. Intended use of this lamp is to help the user place food into the refrigerator / freezer safely and comfortably.

7.8 AeroFresh

It is an air distribution system that provides homogeneous temperature distribution. With the air circulation, the homogeneous temperature distribution is ensured in the fresh food storage compartment, and the temperature fluctuations are kept at low levels. No direct air blowing over the food is realized and this helps to reduce moisture loss. It preserves the freshness of the food stored in the fresh food compartment of the refrigerator. In this way, your food is stored at more stable temperatures and the contact with air is reduced. The drying and shrinking of foods by losing moisture is prevented and freshness is provided for a longer time.

8 Maintenance and Cleaning



- Do not use sharp or abrasive tools to clean the product. Do not use materials such as household cleaning agents, soap, detergents, gas, gasoline, thinner, alcohol, wax, etc.

- The dust shall be removed from the ventilation grill on the rear of the product at least once a year (without opening the cover). Clean the product with a dry cloth.
- Take care to keep water away from the lamp's cover and other electrical parts.
- Clean the door with a damp cloth. Remove all contents to remove the door and body racks. Remove the door racks by lifting them upwards. Clean and dry the shelves, then attach back in place by sliding from above.
- Do not use chlorinated water or cleaning products on the exterior surface and chrome-coated parts of the product. Chlorine will cause rust on such metallic surfaces.
- Do not use sharp and abrasive tools, soap, house cleaning materials, detergents, gas, gasoline, varnish and similar substances to prevent deformation of the plastic part and removal of prints on the part. Use warm water and a soft cloth for cleaning, and then dry it.
- On the products without a No-Frost feature, water droplets and icing up to a thickness of a finger may occur on the rear wall of the freezer compartment. Do not clean, and never apply oils or similar materials.
- Use a mildly dampened micro-fibre cloth to clean the external surface of the product. Sponges and other types of cleaning clothes may cause scratches.
- To clean all removable components during the cleaning of the interior surface of the product, wash these components

with a mild solution consisting of soap, water and carbonate. Wash and dry thoroughly. Prevent contact of water with illumination components and the control panel.



CAUTION:

Do not use vinegar, rubbing alcohol or other alcohol based cleaning agents on any interior surface.

Stainless Steel External Surfaces

Use a non-abrasive stainless steel cleaning agent and apply it with a soft lint-free cloth. To polish, gently wipe the surface with a micro-fibre cloth dampened with water and use dry polishing chamois. Always follow the veins of the stainless steel.

Preventing Odours

The product is manufactured free of any odorous materials. However, keeping the food in inappropriate sections and improper cleaning of internal surfaces may lead to odours.

- To avoid this, clean the inside with carbonated water every 15 days.
- Keep the foods in sealed holders, as micro-organisms arising from foods kept in unsealed containers will cause bad odour.
- Do not keep expired and spoiled foods in the refrigerator.

Protecting Plastic Surfaces

Oil spilled on plastic surfaces may damage the surface and must be cleaned immediately with warm water.

9 Troubleshooting

Check this list before contacting the service. Doing so will save you time and money. This list includes frequent complaints that are not related to faulty workmanship or materials. Certain features mentioned herein may not apply to your product.

The refrigerator is not working.

- The power plug is not fully settled. >>> Plug it in to settle completely into the socket.
- The fuse connected to the socket powering the product or the main fuse is blown. >>> Check the fuse.

Condensation on the side wall of the cooler compartment (MULTI ZONE, COOL CONTROL and FLEXI ZONE).

- The door is opened too frequently. >>> Take care not to open the product's door too frequently.
- The environment is too humid. >>> Do not install the product in humid environments.
- Foods containing liquids are kept in unsealed holders. >>> Keep the foods containing liquids in sealed holders.
- The product's door is left open. >>> Do not keep the product's door open for long periods.
- The thermostat is set to a very cool temperature. >>> Set the thermostat to an appropriate temperature.

Compressor is not working.

- In case of sudden power failure or pulling the power plug off and putting back on, the gas pressure in the product's cooling system is not balanced, which triggers the compressor thermic safeguard. The product will restart after approximately 6 minutes. If the product does not restart after this period, contact the service.
- Defrosting is active. >>> This is normal for a fully-automatic defrosting product. The defrosting is carried out periodically.
- The product is not plugged in. >>> Make sure the power cord is plugged in.
- The temperature setting is incorrect. >>> Select the appropriate temperature setting.
- The power is out. >>> The product will continue to operate normally once the power is restored.

The refrigerator's operating noise is increasing while in use.

- The product's operating performance may vary depending on the ambient temperature variations. This is normal and not a malfunction.

The refrigerator runs too often or for too long.

- The new product may be larger than the previous one. Larger products will run for longer periods.
- The room temperature may be high. >>> The product will normally run for long periods in higher room temperature.
- The product may have been recently plugged in or a new food item is placed inside. >>> The product will take longer to reach the set temperature when recently plugged in or a new food item is placed inside. This is normal.
- Large quantities of hot food may have been recently placed into the product. >>> Do not place hot food into the product.
- The doors were opened frequently or kept open for long periods. >>> The warm air moving inside will cause the product to run longer. Do not open the doors too frequently.
- The freezer or cooler door may be ajar. >>> Check that the doors are fully closed.
- The product may be set to a temperature that is too low. >>> Set the temperature to a higher degree and wait for the product to reach the adjusted temperature.
- The cooler or freezer door washer may be dirty, worn out, broken or not properly settled. >>> Clean or replace the gasket. Damaged / torn door washer will cause the product to run for longer periods to preserve the current temperature.

The freezer temperature is very low, but the cooler temperature is adequate.

- The freezer compartment temperature is set to a very low degree. >>> Set the freezer compartment temperature to a higher degree and check again.

The cooler temperature is very low, but the freezer temperature is adequate.

- The cooler compartment temperature is set to a very low degree. >>> Set the cooler compartment temperature to a higher degree and check again.

The food items kept in cooler compartment drawers are frozen.

- The cooler compartment temperature is set to a very low degree. >>> Set the cooler compartment temperature to a higher degree and check again.

The temperature in the cooler or the freezer is too high.

- The cooler compartment temperature is set to a very high degree. >>> Temperature setting of the cooler compartment has an effect on the temperature in the freezer compartment. Wait until the temperature of relevant parts reach the sufficient level by changing the temperature of cooler or freezer compartments.
- The doors were opened frequently or kept open for long periods. >>> Do not open the doors too frequently.
- The door may be ajar. >>> Fully close the door.
- The product may have been recently plugged in or a new food item is placed inside. >>> This is normal. The product will take longer to reach the set temperature when recently plugged in or a new food item is placed inside.
- Large quantities of hot food may have been recently placed into the product. >>> Do not place hot food into the product.

Shaking or noise.

- The surface is not flat or durable >>> If the product is shaking when moved slowly, adjust the stands to balance the product. Also make sure the ground is sufficiently durable to bear the product.
- Any items placed on the product may cause noise. >>> Remove any items placed on the product.
- The product is making noise of liquid flowing, spraying etc.
- The product's operating principles involve liquid and gas flows. >>> This is normal and not a malfunction.

There is sound of wind blowing coming from the product.

- The product uses a fan for the cooling process. This is normal and not a malfunction.

There is condensation on the product's internal walls.

- Hot or humid weather will increase icing and condensation. This is normal and not a malfunction.
- The doors were opened frequently or kept open for long periods. >>> Do not open the doors too frequently; if open, close the door.
- The door may be ajar. >>> Fully close the door.

There is condensation on the product's exterior or between the doors.

- The ambient weather may be humid, this is quite normal in humid weather. >>> The condensation will dissipate when the humidity is reduced.

The interior smells bad.

- The product is not cleaned regularly. >>> Clean the interior regularly using sponge, warm water and carbonated water.
- Certain holders and packaging materials may cause odour. >>> Use holders and packaging materials without free of odour.
- The foods were placed in unsealed holders. >>> Keep the foods in sealed holders. Microorganisms may spread out of unsealed food items and cause bad odour.
- Remove any expired or spoiled foods from the product.

The door is not closing.

- Food packages may be blocking the door. >>> Relocate any items blocking the doors.
- The product is not standing in full upright position on the ground. >>> Adjust the stands to balance the product.
- The surface is not flat or durable >>> Make sure the surface is flat and sufficiently durable to bear the product.

The crisper is jammed.

- The food items may be in contact with the upper section of the drawer. >>> Reorganize the food items in the drawer.

Temperature on the product surface.

- High temperature may be observed between two doors, on the side panels and on the rear grill area while your product is operated. This is normal and it does not require servicing.

Fan continues to operate when the door is opened.

- Fan may continue to operate when the freezer door is open.



WARNING: If the problem persists after following the instructions in this section, contact your vendor or an Authorized Service. Do not try to repair the product. This is normal.

DISCLAIMER / WARNING

Some (simple) failures can be adequately handled by the end-user without any safety issue or unsafe use arising, provided that they are carried out within the limits and in accordance with the following instructions (see the “Self-Repair” section).

Therefore, unless otherwise authorized in the “Self-Repair” section below, repairs shall be addressed to registered professional repairers in order to avoid safety issues. A registered Professional repairer is a professional repairer that has been granted access to the instructions and spare parts list of this product by the manufacturer according to the methods described in legislative acts pursuant to Directive 2009/125/EC.

However, only the service agent (i.e. authorized professional repairers) that you can reach through the phone number given in the user manual/warranty card or through your authorized dealer may provide service under the guarantee terms. Therefore, please be advised that repairs by professional repairers (who are not authorized by) Grundig shall void the guarantee.

Self-Repair

Self-repair can be done by the end-user with regard to the following spare parts: door handles, door hinges, trays, baskets and door gaskets (an updated list is also available support.grundig.com as of 1st March 2021).

Moreover, to ensure product safety and to prevent risk of serious injury, the mentioned self-repair shall be done following the instructions in the user manual for self-repair or which are available in support.grundig.com. For your safety, unplug the product before attempting any self-repair.

Repair and repair attempts by end-users for parts not included in such list and/or not following the instructions in the user manuals for self-repair or which are available in support.grundig.com, might give raise to safety issues not attributable to Grundig, and will void the warranty of the product. Therefore, it is highly recommended that end-users refrain from the attempt to carry out repairs falling outside the mentioned list of spare parts, contacting in such cases authorized professional repairers or registered professional repairers. On the contrary, such attempts by end-users may cause safety issues and damage the product and subsequently cause fire, flood, electrocution and serious personal injury to occur.

By way of example, but not limited to, the following repairs must be addressed to authorized professional repairers or registered professional repairers: compressor, cooling circuit, main board, inverter board, display board, etc.

The manufacturer/seller cannot be held liable in any case where end-users do not comply with the above.

The spare part availability of the refrigerator that you purchased is 10 years. During this period, original spare parts will be available to operate the refrigerator properly. The minimum duration of guarantee of the refrigerator that you purchased is 24 months.

This product is equipped with a lighting source of the "G" energy class.

The lighting source in this product shall only be replaced by Professional repairer.

See also

2 DISCLAIMER / WARNING [] 26]

Premièrement veuillez lire ce manuel !

Cher client, chère cliente,


Veuillez lire ce manuel avant d'utiliser l'appareil.


Nous vous remercions d'avoir choisi ce Grundigproduit. Nous aimerions que vous obteniez une efficacité optimale de ce produit de haute qualité qui a été fabriqué avec une technologie de pointe. À cette fin, lisez attentivement ce manuel et toute autre documentation fournie avant d'utiliser le produit et conservez-les comme référence.

Tenez compte de toutes les informations et de tous les avertissements figurant dans le manuel d'utilisation. De cette façon, vous vous protégez, vous et votre produit, contre les dangers qui peuvent survenir.


Conservez le manuel d'utilisation. Joignez ce guide à l'unité si vous le remettez à quelqu'un d'autre.

Les symboles suivants sont utilisés dans le manuel d'utilisation :






	Il s'agit d'un danger qui peut entraîner la mort ou des blessures.
--	--

	Informations importantes ou conseils utiles sur le fonctionnement.
--	--

	Lisez le manuel d'utilisation.
--	--------------------------------

	Matériau combustible, mise en garde contre le risque d'incendie.
--	--

AVERTISSEMENT Un danger qui peut causer des dommages matériels au produit ou à son environnement

	ENERG 		Les informations sur le modèle, telles qu'elles sont enregistrées dans la base de données des produits, peuvent être obtenues en accédant au site web suivant et en recherchant l'identifiant du modèle (*) figurant sur l'étiquette énergétique. https://eprel.ec.europa.eu/
SUPPLIER'S NAME	MODEL IDENTIFIER → (*)		
			

1	Consignes de sécurité.....	30
1.1	Intention d'utilisation.....	30
1.2	Sécurité des enfants, des personnes vulnérables et des animaux domestiques.....	30
1.3	Sécurité électrique.....	31
1.4	Sécurité de manipulation	32
1.5	Sûreté des installations	32
1.6	Sécurité de fonctionnement	34
1.7	Sécurité du stockage des aliments	37
1.8	Sécurité relative à l'entretien et au nettoyage	37
2	Instructions environnementales..	38
2.1	Conformité avec la directive DEEE et élimination des déchets..	38
3	Votre réfrigérateur	39
4	Installation	39
4.1	Lieu idéal d'installation	39
4.2	Branchement électrique.....	40
4.3	Fixation des cales en plastique	40
4.4	Réglages des pieds avant.....	41
4.5	Attention aux surfaces chaudes...	41
5	Préparation.....	41
5.1	Moyens d'économiser l'énergie....	41
5.2	Première utilisation	41
5.3	Classe climatique et définitions ...	42
6	Fonctionnement de l'appareil.....	42
7	Utilisation de votre appareil.....	43
7.1	Panneau de contrôle du produit ...	43
7.2	Stockage des aliments dans le compartiment réfrigérant.....	45
7.3	Zone d'entreposage frais des produits laitiers	48
7.4	Inversion du côté d'ouverture de la porte	48
7.5	Alerte de porte ouverte.....	48
7.6	Porte-bouteille pliable	48
7.7	Remplacement de la lampe d'éclairage.....	49
7.8	AeroFresh.....	49
8	Entretien et nettoyage	49
9	Dépannage	50

1 Consignes de sécurité

Cette section contient les instructions de sécurité nécessaires à la prévention des risques de dommage corporel ou de dommage matériel.

Notre entreprise ne peut être tenue pour responsable des dommages qui peuvent se produire si ces instructions ne sont pas respectées.

Les opérations d'installation et de réparation doivent être effectuées par un service agréé.

Utilisez uniquement des pièces de rechange et des accessoires d'origine.

Les pièces de rechange originales sont fournies pendant les 10 années suivant la date d'achat de l'appareil.

Évitez de réparer ou de remplacer tout composant de l'appareil sauf si cela est clairement spécifié dans le manuel d'utilisation.

Il ne faut pas effectuer de modifications sur l'appareil.

1.1 Intention d'utilisation

Ce produit ne convient pas à un usage commercial et ne doit pas être utilisé autrement que pour l'usage auquel il est destiné. Ce

produit est conçu pour être utilisé à l'intérieur, dans les foyers et dans des endroits similaires.

Par exemple ;

- cuisines du personnel des magasins, bureaux et autres environnements professionnels,
- les maisons de campagne,
- unités des hôtels, motels ou autres installations de repos utilisées par les clients,
- hôtels ou environnements similaires,
- services de restauration et les espaces semblables de vente en gros.

Ces appareils ne doivent pas être utilisés dans des environnements extérieurs ouverts ou clôturés tels que les bateaux, balcons ou terrasses. L'exposition de l'appareil à la pluie, à la neige, au soleil et au vent présente un risque d'incendie.

1.2 Sécurité des enfants, des personnes vulnérables et des animaux domestiques

- Cet appareil peut être utilisé par des enfants âgés d'au moins 8 ans, ainsi que par des personnes avec des capacités physiques, sensorielles ou

mentales réduites ou sans expérience et connaissances, si elles sont supervisées ou ont été formées à l'utilisation sécurisée de l'appareil et comprennent les risques relatifs.

- Les enfants de 3 à 8 ans sont autorisés à mettre les aliments dans la glacière et à les enlever.
- Les produits électriques sont dangereux pour les enfants et les animaux domestiques. Les enfants et les animaux domestiques ne doivent pas jouer avec le produit, ni grimper dessus, ni y entrer.
- Le nettoyage et l'entretien des utilisateurs ne doivent pas être effectués par des enfants, sauf s'il y a une personne qui les surveille.
- Tenez les emballages hors de la portée des enfants. Risque de blessure et d'asphyxie.

Avant de vous débarrasser des appareils usagés qui ne doivent plus être utilisés :

1. Débranchez le cordon d'alimentation de la prise de courant.
2. Coupez le cordon d'alimentation et retirez-le de l'appareil avec la prise.

3. Ne retirez pas les étagères et les tiroirs de l'appareil pour empêcher les enfants d'y pénétrer.
4. Démontage des portes.
5. Stockez l'appareil de façon à éviter qu'il se renverse.
6. Ne laissez pas les enfants jouer avec un appareil usagé.
 - Ne jetez pas l'appareil en le mettant au feu. Risque d'explosion.
 - Si une serrure est disponible dans la porte de l'appareil, gardez la clé hors de la portée des enfants.



1.3 Sécurité électrique

- Il ne faut pas brancher le produit dans la prise de courant pendant les opérations d'installation, d'entretien, de nettoyage, de réparation et de transport.
- Si le câble d'alimentation est endommagé, il doit être remplacé par un service agréé uniquement pour éviter tout risque qui pourrait survenir.
- Ne placez pas le câble d'alimentation sous l'appareil ou à l'arrière de celui-ci. Ne placez aucun objet lourd sur le câble d'alimentation. Le câble d'alimentation ne doit pas être plié, écrasé et entrer en contact avec une source de chaleur.

- N'utilisez pas de rallonge, de prise multiple ou d'adaptateur pour faire fonctionner votre appareil.
- Les prises multiples mobiles ou les blocs d'alimentation portatifs peuvent surchauffer et causer un incendie. Par conséquent, aucune prise multiple ne doit se trouver derrière ou à proximité de l'appareil.
- La prise doit être facilement accessible. Si cela n'est pas possible, l'installation électrique doit être dotée d'un mécanisme conforme à la réglementation en matière d'électricité et qui déconnecte toutes les bornes du réseau (fusible, interrupteur, commutateur principal, etc.).
- Évitez de toucher le cordon d'alimentation avec des mains humides.
- Lorsque vous débranchez l'appareil, ne tenez pas le cordon d'alimentation, mais la prise.

1.4 Sécurité de manipulation

- Cet appareil est lourd, ne le manipulez pas seul.
- Lors de la manipulation de l'appareil, évitez de le tenir par sa porte.

- Veillez à ne pas endommager le système de refroidissement et les tuyaux lorsque vous manipulez l'appareil. Évitez de faire fonctionner l'appareil si les tuyaux sont endommagés et contactez un service agréé.

1.5 Sûreté des installations

- Contactez le service agréé pour l'installation de votre réfrigérateur. Pour préparer l'installation du réfrigérateur, lisez attentivement les instructions du manuel d'utilisation et assurez-vous que les équipements électriques et d'approvisionnement d'eau sont installés convenablement. Si ce n'est pas le cas, appelez un électricien et un plombier pour faire le nécessaire pour les services publics. Le non-respect de cette consigne peut entraîner un choc électrique, un incendie, des problèmes avec le produit ou des blessures.
- Vérifiez que l'appareil n'est pas endommagé avant de l'installer. N'installez pas l'appareil lorsqu'il est endommagé.
- Placez l'appareil sur une surface plane et dure et équilibrez-le avec les pieds ré-

glables. Sinon, le réfrigérateur risque de se renverser et provoquer des blessures.

- Installez l'appareil dans un endroit sec et ventilé. Ne laissez pas de tapis, de moquettes ou d'autres revêtements de sol similaires sous l'appareil. Ils peuvent entraîner un risque d'incendie en raison d'une ventilation inadéquate !
- N'obstruez pas ou ne couvrez pas les orifices de ventilation. Sinon, la consommation d'énergie pourrait augmenter et votre appareil pourrait être endommagé.
- Le produit ne doit pas être connecté à des systèmes d'alimentation tels que l'alimentation solaire. Sinon, votre produit peut être endommagé en raison de changements soudains de tension !
- Plus un réfrigérateur contient de réfrigérant, plus grande doit être la pièce d'installation. Dans les très petites pièces, un mélange gaz-air inflammable peut se produire en cas de fuite de gaz dans le système de refroidissement. Au moins 1 m³ de volume est requis pour chaque 8 grammes de réfrigérant. La quantité de réfrigérant disponible dans votre appareil est indiquée sur la plaque signalétique.
- Le lieu d'installation du produit ne doit pas être exposé à la lumière directe du soleil et ne doit pas se trouver à proximité d'une source de chaleur telle qu'un poêle, un radiateur, etc. Si vous ne pouvez pas empêcher l'installation du produit à proximité d'une source de chaleur, vous devez utiliser une plaque isolante appropriée et la distance minimale par rapport à la source de chaleur doit être conforme aux spécifications ci-dessous.
 - À au moins 30 cm des sources de chaleur telles que les cuisinières, les appareils de chauffage, etc.
 - Et à au moins 5 cm des fours électriques.
- Votre produit a la classe de protection I.
- Branchez le produit dans une prise avec mise à la terre conforme aux valeurs de tension, de courant et de fréquence indiquées sur la plaque signalétique. La prise de courant doit être équipée d'un fusible de 10 à 16A. Notre entreprise ne sera pas tenue responsable de tout dommage résultant de l'utilisation de l'ap-

pareil sans prise de mise à la terre ou branchement électrique conforme aux normes locales et nationales en vigueur.

- Débranchez le câble d'alimentation du réfrigérateur pendant l'installation. Dans le cas contraire, vous risquez de vous électrocuter et de vous blesser !
- Ne branchez pas l'appareil sur des prises desserrées, cassées, sales, graisseuses ou qui sont sorties de leur logement ou sur des prises présentant un risque de contact avec l'eau.
- Placez le câble d'alimentation et les flexibles (si disponibles) de l'appareil de sorte qu'ils ne puissent pas provoquer de risque de trébuchement.
- La pénétration de l'humidité dans les pièces sous tension ou dans le cordon d'alimentation peut provoquer un court-circuit. Par conséquent, n'utilisez pas l'appareil dans des environnements humides ou dans des endroits où l'eau peut éclabousser (p. ex. les garages, les buanderies, etc.). Lorsque le réfrigérateur est

mouillé par l'eau, débranchez-le et contactez un service autorisé.

- Ne branchez jamais votre réfrigérateur sur des dispositifs d'économie d'énergie. Ces dispositifs peuvent être dangereux pour l'appareil



1.6 Sécurité de fonctionnement

- N'utilisez jamais de solvants chimiques sur le réfrigérateur. Ces matériaux présentent un risque d'explosion.
- En cas de panne de l'appareil, débranchez-le et ne l'utilisez pas avant sa réparation par le service autorisé. Il existe un risque d'électrocution !
- Ne placez pas une source de flamme (p. ex. des bougies, cigarettes, etc.) sur l'appareil ou à proximité de celui-ci.
- Ne montez pas sur l'appareil. Risque de chute et de blessure !
- N'endommagez pas les tuyaux du système de refroidissement avec des outils tranchants et perçants. Le réfrigérant qui s'échappe en cas de perforation des tuyaux à gaz, des tuyaux d'extension ou des revêtements de la surface supé-

rieure peut provoquer une irritation de la peau et des liaisons oculaires.

- Ne placez pas et n'utilisez pas d'appareils électriques à l'intérieur du réfrigérateur/congélateur, sauf avis contraire du fabricant.
- Ne coincez pas les parties de vos mains ou de votre corps sur les parties mobiles à l'intérieur de l'appareil. Faites attention à ne pas coincer vos doigts entre le réfrigérateur et sa porte. Soyez prudent lorsque vous ouvrez ou fermez la porte en présence des enfants.
- Ne mettez pas de crème glacée, de glaçons ou d'aliments congelés dans votre bouche immédiatement après les avoir sortis du congélateur. Risque de gelure !
- Ne touchez pas les parois intérieures, les parties métalliques du congélateur ou les aliments conservés dans le congélateur avec les mains mouillées. Risque de gelure !
- Ne placez pas de canettes de soda ou de bouteilles contenant des liquides pouvant être congelés dans le compartiment congélateur. Les canettes ou les bouteilles peuvent exploser. Risque de blessures et de dommages matériels !
- N'utilisez pas ou ne placez pas de matériaux sensibles à la température tels que des aérosols inflammables, des objets inflammables, de la glace sèche ou d'autres agents chimiques à proximité du réfrigérateur. Risque d'incendie ou d'explosion !
- Ne stockez pas de matières explosives telles que des aérosols contenant des matériaux inflammables à l'intérieur de l'appareil.
- Ne placez pas de canettes contenant des liquides sur l'appareil. L'éclaboussure d'eau sur une pièce électrique peut entraîner un risque d'électrocution ou d'incendie.
- Cet appareil n'est pas destiné au stockage et au refroidissement de médicaments, de plasma sanguin, de préparations de laboratoire ou de matériaux et produits similaires qui sont soumis à la directive sur les produits médicaux.
- Si l'appareil est utilisé à d'autres fins que celles pour lesquelles il a été conçu, il peut endommager ou détériorer les produits qu'il contient.

- Si votre réfrigérateur est équipé d'un voyant lumineux bleu, ne contemplez pas le voyant lumineux avec des instruments optiques. Ne fixez pas directement la lumière LED à UV pendant une longue période, car les rayons ultraviolets peuvent entraîner la fatigue oculaire.
- Ne remplissez pas l'appareil de nourriture dépassant sa capacité. Des blessures ou des dégâts peuvent survenir au cas où le contenu du réfrigérateur tombe lorsque la porte est ouverte. Des problèmes similaires peuvent survenir lorsqu'un objet est placé sur l'appareil.
- Pour éviter tout risque de blessures, rassurez-vous que vous avez retiré toute la glace ou toute l'eau qui auraient pu se verser au sol.
- Changez l'emplacement des casiers/porte-bouteilles sur la porte de votre réfrigérateur uniquement lorsqu'ils sont vides. Risque de blessures !
- Ne placez aucun objet qui pourrait tomber ou basculer sur l'appareil. Ces objets peuvent tomber lors de l'ouverture ou de la fermeture de la porte, et causer des blessures et/ou des dégâts matériels.
- Ne frappez ni n'exercez aucune pression excessive sur les surfaces en verre. Le verre brisé peut causer des blessures et/ou des dégâts matériels.
- Le système de refroidissement de votre produit contient du réfrigérant R600a Le type de réfrigérant utilisé dans le produit est spécifié sur la plaque signalétique. Ce gaz est inflammable. Par conséquent, veillez à ne pas endommager le système de refroidissement et les tuyaux pendant l'utilisation de l'appareil. Si les tuyaux sont endommagés :
 1. Ne touchez pas l'appareil ni le câble d'alimentation,
 2. Maintenez l'appareil éloigné des sources potentielles d'incendie qui pourraient causer l'incendie de l'appareil,
 3. Aérez la zone où l'appareil est placé, - N'utilisez pas de ventilateur,
 4. Contactez un centre de service agréé.
 5. Si l'appareil est endommagé et que vous observez une fuite de gaz, éloignez-vous du gaz. Le gaz peut causer des gelures lorsqu'il entre en contact avec votre peau.



1.7 Sécurité du stockage des aliments

Veillez prêter attention aux avertissements suivants afin d'éviter la détérioration des aliments :

- Laisser les portes ouvertes pendant une longue période peut entraîner une augmentation de la température à l'intérieur du produit.
- Nettoyez régulièrement les systèmes de drainage accessibles en contact avec les aliments.
- Nettoyez les réservoirs d'eau qui n'ont pas été utilisés pendant 48 heures et les systèmes d'alimentation en eau qui n'ont pas été utilisés pendant plus de 5 jours.
- Conservez les produits de viande et de poisson crus dans des compartiments appropriés à l'intérieur de l'appareil. Ainsi, ils ne coulent pas sur les autres aliments et n'entre pas en contact avec eux.
- Les compartiments de congélation à deux étoiles permettent de conserver les aliments pré-cuisinés, de préparer et de conserver la glace et la crème glacée.

- Les compartiments à une, deux et trois étoiles ne conviennent pas à la congélation des aliments frais.
- Si le produit réfrigérant est resté vide pendant une longue période, éteignez le produit, dégivrez, nettoyez et séchez le produit afin de protéger le boîtier de l'appareil.



1.8 Sécurité relative à l'entretien et au nettoyage

- Ne tirez pas sur la poignée de la porte si vous devez déplacer l'appareil pour le nettoyer. La poignée peut causer des blessures si vous la tirez trop fort.
- Ne nettoyez pas l'appareil en pulvérisant ou en versant de l'eau dessus et à l'intérieur. Risque de choc électrique et d'incendie.
- Lors du nettoyage de l'appareil, n'utilisez pas d'outils tranchants et abrasifs ni de produits de nettoyage ménagers, de détergents, d'essence, de diluant, d'alcool, de vernis et de substances similaires. Utilisez des produits de nettoyage et d'entretien qui ne sont pas nocifs pour les aliments uniquement à l'intérieur de l'appareil.

- N'utilisez jamais de vapeur ou de matériel de nettoyage à vapeur pour nettoyer l'appareil et faire fondre la glace qui s'y trouve. Lorsque la vapeur entre en contact avec les zones sensibles de votre réfrigérateur, elle peut provoquer un court-circuit ou un choc électrique.
- Veillez à éloigner l'eau des circuits électroniques ou de l'éclairage de l'appareil.
- Utilisez un torchon propre et sec pour essuyer la poussière ou les corps étrangers sur les extrémités des fiches. N'utilisez pas de torchon humide ou mouillé pour nettoyer la fiche. Ceci, pour éviter tout risque d'incendie ou de choc électrique.

2 Instructions environnementales

2.1 Conformité avec la directive DEEE et élimination des déchets



Cet appareil est conforme à la directive DEEE de l'Union européenne (2012/19/UE). Le produit possède un symbole de classification attribué aux déchets d'équipements élec-

triques et électroniques (DEEE).

Ce symbole indique que cet appareil ne doit pas être mis au rebut avec les ordures ménagères à la fin de sa durée de vie. Les appareils usagés doivent être retournés au point de collecte officiel pour le recyclage des dispositifs électriques et électroniques. Pour trouver ces systèmes de collecte, veuillez contacter les autorités locales ou le détaillant à l'endroit où l'appareil a été acheté. Chaque ménage joue un rôle important dans la récupération et le recyclage des vieux appareils ménagers. La mise au

rebut appropriée des appareils usagés permet de prévenir les conséquences négatives potentielles pour l'environnement et la santé humaine.

Conformité à la directive RoHS

Votre appareil est conforme à la directive RoHS de l'Union européenne (2011/65/UE). Il ne comporte pas de matériaux dangereux et interdits mentionnés dans la directive.

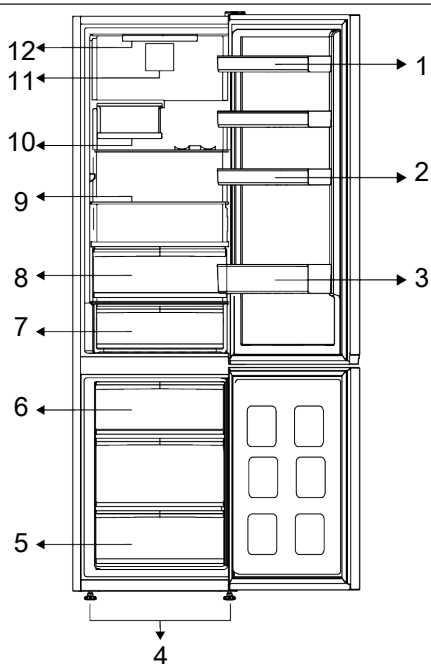


Informations sur l'emballage

Les matériaux d'emballage de cet appareil sont fabriqués à partir de matériaux recyclables, conformément à nos réglementations nationales en matière d'environnement. Ne mettez pas les matériaux d'emballage au rebut avec les ordures ménagères et d'autres déchets. Apportez-les aux points de collecte des matériaux d'emballage désignés par les autorités locales.

3 Votre réfrigérateur

FR




- 1 * Étagères de porte réglables
- 3 * Étagère pour les bouteilles
- 5 * Compartiment de congélation
- 7 * Tiroir de stockage du froid
- 9 * Étagères réglables
- 11 * Ventilateur

- 2 * Porte-œuf
- 4 * Pieds avant réglables
- 6 * Récipient à glace
- 8 * Bac à légumes
- 10 * Poubelle à vin pliable
- 12 * Lampe d'éclairage

***En option :** Les illustrations présentées dans ce manuel d'utilisation sont schématiques et peuvent ne pas correspondre

exactement à votre produit. Si votre appareil ne présente pas les parties citées, alors l'information s'applique à d'autres modèles.


4 Installation

 Lisez d'abord la section « Instructions de sécurité » !

4.1 Lieu idéal d'installation

Contactez le service agréé pour l'installation de votre réfrigérateur. Pour préparer l'installation du réfrigérateur, lisez attentivement les instructions du manuel d'utilisation et assurez-vous que les équipements électriques et d'approvisionnement d'eau

sont installés convenablement. Si ce n'est pas le cas, appelez un électricien et un plombier pour faire le nécessaire pour les services publics.

 **AVERTISSEMENT :**
Le fabricant ne sera pas tenu responsable en cas de problèmes causés par des travaux effectués par des personnes non autorisées.

**AVERTISSEMENT :**

Débranchez le câble d'alimentation du réfrigérateur pendant l'installation. Le non-respect de cette consigne peut entraîner la mort ou des blessures graves !

**AVERTISSEMENT :**

Si le cadre de la porte est trop étroit pour laisser passer l'appareil, retirez la porte et faites passer l'appareil sur les côtés ; si cela ne fonctionne pas, contactez le service agréé.

- Placez l'appareil sur une surface plane pour éviter les vibrations.
- Placez le produit à 30 cm du chauffage, de la cuisinière et des autres sources de chaleur similaires et à au moins 5 cm des fours électriques.
- N'exposez pas le produit directement à lumière du soleil et ne le laissez pas dans des environnements humides.
- Votre produit nécessite une circulation d'air adéquate pour pouvoir fonctionner efficacement. S'il est placé dans une alcôve, n'oubliez pas de laisser un espace d'au moins 5 cm entre l'appareil, le plafond, la paroi arrière et les parois latérales.
- Vérifiez que l'élément de protection d'espace de la façade arrière est présent à son emplacement (au cas où il est fourni avec l'appareil).
- Si l'élément n'est pas disponible, perdu ou tombé, positionnez l'appareil de manière à laisser un espace d'au moins 5 cm entre la surface arrière de l'appareil et les murs de la pièce. L'espace prévu à l'arrière est important pour le fonctionnement efficace de l'appareil.

4.2 Branchement électrique



Ne branchez pas le réfrigérateur sur une rallonge ou une multiprise.



Les câbles d'alimentation endommagés doivent être remplacés par le service agréé.



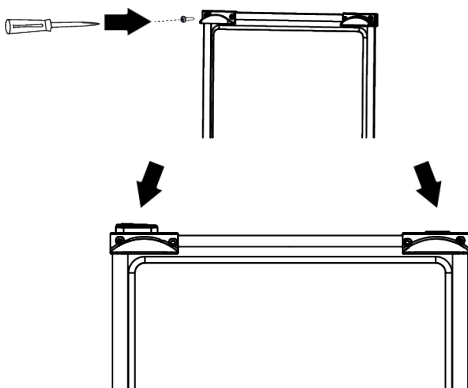
Lorsque deux réfrigérateurs sont installés côte à côte, laissez au moins 4 cm de distance entre les deux appareils

- Notre entreprise ne sera pas tenue responsable de tout dommage résultant de l'utilisation de l'appareil sans prise de mise à la terre ou branchement électrique conforme à la norme nationale en vigueur.
- Gardez la fiche du câble d'alimentation à portée de main après l'installation.
- N'utilisez pas de fiche multigroupe avec ou sans rallonge entre la prise murale et le réfrigérateur.

4.3 Fixation des cales en plastique

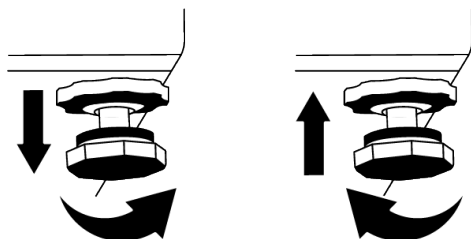
Utilisez les cales en plastiques fournies avec le réfrigérateur pour maintenir une circulation d'air suffisante entre le réfrigérateur et le mur.

1. Pour fixer les cales, retirez les vis du réfrigérateur et utilisez celles fournies avec les cales.
2. Fixez 2 cales en plastique sur le couvercle de ventilation tel qu'illustré par l'image.



4.4 Réglages des pieds avant

Si l'appareil n'est pas équilibré, réglez les pieds avant en les tournant vers la gauche ou la droite.



4.5 Attention aux surfaces chaudes

Les parois latérales de votre produit sont équipées de tuyaux de refroidissement pour améliorer le système de refroidissement. Un fluide à haute pression peut s'écouler à travers ces surfaces, et provoquer des surfaces chaudes sur les parois latérales. C'est normal et cela ne nécessite pas d'entretien. Faites attention lorsque vous contactez ces zones.

5 Préparation



Lisez d'abord la section « Instructions de sécurité » !

5.1 Moyens d'économiser l'énergie



Il est dangereux de connecter l'appareil aux systèmes électroniques d'économie d'énergie, ils pourraient l'endommager.

- Cet appareil de réfrigération n'est pas conçu pour être utilisé comme un appareil encastré.
- Ne laissez pas la porte du réfrigérateur ouverte longtemps.
- Ne conservez pas des aliments ou des boissons chaud(e)s dans le réfrigérateur.
- Ne surchargez pas le réfrigérateur, l'obstruction du flux d'air interne réduira la capacité de réfrigération.
- Afin de charger la quantité maximale d'aliments dans le compartiment congélateur, vous devez retirer les tiroirs supérieurs et placer les aliments sur les clayettes métalliques/en verre. Les informations sur le volume net et la consommation d'énergie déclarées sur l'étiquette énergétique de votre réfrigérateur ont été testées en sortant les tiroirs supérieurs du compartiment réfrigérateur et le bac à glaçons, que l'on peut facilement retirer à la main.
- Il est fortement recommandé d'utiliser le tiroir du bas pour le rangement.

- Selon les caractéristiques de l'appareil, le dégivrage des aliments congelés dans le compartiment réfrigérateur assurera l'économie d'énergie et la préservation de la qualité des aliments.
- Veuillez-vous assurer que les aliments ne sont pas en contact direct avec le capteur de température du compartiment réfrigérateur décrit ci-après.
- Les aliments sont stockés à l'aide des tiroirs du compartiment réfrigéré afin de garantir une économie d'énergie et de protéger les aliments dans de meilleures conditions.
- Les emballages de denrées alimentaires ne doivent pas être en contact direct avec le capteur de température situé dans le compartiment de congélation.
- En cas de contact avec le capteur, la consommation d'énergie de l'appareil peut augmenter

5.2 Première utilisation

Avant d'utiliser votre réfrigérateur, assurez-vous que les installations nécessaires sont conformes aux instructions des sections « Instructions en matière de sécurité et d'environnement » et « Installation ».

- Laissez l'appareil fonctionner à vide pendant 6 heures, et ne l'ouvrez pas sauf en cas de nécessité absolue.
- Le changement de température causé par l'ouverture et la fermeture de la porte pendant l'utilisation du produit peut nor-

malement entraîner la formation de condensation sur les tablettes de la porte/du corps et sur les verres placés dans l'appareil.



Un son retentit à l'activation du compresseur. Il est normal que l'appareil fasse du bruit même si le compresseur ne fonctionne pas, car du fluide et du gaz peuvent être comprimés dans le système de refroidissement.



Il est normal que les bords avant du réfrigérateur soient chauds. Ces parties doivent en principe être chaudes afin d'éviter la condensation.



Pour certains modèles, le panneau indicateur s'éteint automatiquement 1 minute après la fermeture des portes. Il s'active à nouveau à l'ouverture de la porte ou lorsque vous appuyez sur n'importe quelle touche.

6 Fonctionnement de l'appareil



Lisez d'abord la section « Instructions de sécurité » !

- Il ne faut pas utiliser d'outils mécaniques ou autres que les recommandations du fabricant pour accélérer l'opération de décongélation.
- Évitez d'utiliser des parties de votre réfrigérateur, telles que la porte ou les tiroirs, comme support ou comme marchepied. Cela peut faire trébucher le produit ou endommager ses composants.
- Le produit ne doit être utilisé que pour la conservation des aliments.
- Fermez le robinet d'eau si vous vous absentez de chez vous (par exemple, en vacances) et que vous n'utilisez pas le dis-

5.3 Classe climatique et définitions

Veuillez vous référer à la classe climatique figurant sur la plaque signalétique de votre appareil. L'une des informations suivantes s'applique à votre appareil selon la classe climatique.

- **SN** : Climat tempéré à long terme : Ce dispositif de refroidissement est conçu pour être utilisé à une température ambiante comprise entre 10 °C et 32 °C.
- **N** : Climat tempéré : Ce dispositif de refroidissement est conçu pour être utilisé à une température ambiante comprise entre 16°C et 32 °C.
- **ST** : Climat subtropical : Ce dispositif de refroidissement est conçu pour être utilisé à une température ambiante comprise entre 16°C et 38°C.
- **T** : Climat tropical : Ce dispositif de refroidissement est conçu pour être utilisé à une température ambiante comprise entre 16°C et 43°C.

tributeur d'eau ou le distributeur de glace pendant une longue période. Dans le cas contraire, des fuites d'eau peuvent se produire.

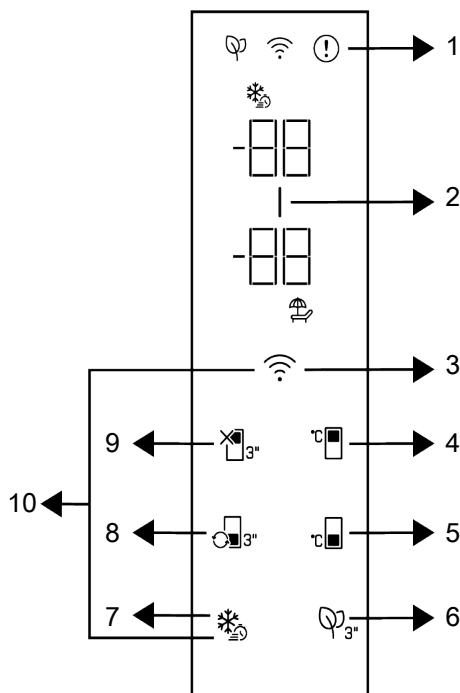
Interruption du programme

- Si vous n'avez pas l'intention d'utiliser le produit pendant une longue période, débranchez-le de la prise de courant.
- Enlevez la nourriture pour éviter les odeurs.
- Attendez que la glace fonde, nettoyez l'intérieur et laissez-le sécher, laissez les portes ouvertes pour éviter d'endommager les plastiques intérieurs de la carrosserie.

7 Utilisation de votre appareil

7.1 Panneau de contrôle du produit

FR



1 * Indicateur de condition d'erreur

3 * Clé sans fil

5 * Clé de réglage de la température du compartiment congélateur

7 * Clé de congélation rapide

9 * Touche de fonction ARRÊT du compartiment réfrigéré (vacances)

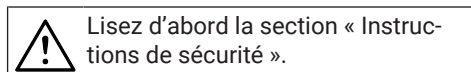
2 * Indicateur d'économie d'énergie (affichage éteint)

4 * Clé de réglage de la température du compartiment de refroidissement

6 * Clé du module désodorisant

8 * Clé de conversion des compartiments

10 * Clé pour la réinitialisation des paramètres de connexion sans fil



Les fonctions sonores et visuelles dudit panneau vous aident à utiliser votre réfrigérateur.

***En option:** Les fonctions indiquées sont facultatives, il peut y avoir des différences de forme et d'emplacement au niveau des fonctions indiquées sur l'indicateur de votre appareil.

1. Indicateur de condition d'erreur

Cet indicateur doit être activé lorsque votre réfrigérateur ne peut pas assurer un refroidissement adéquat ou en cas d'erreur de capteur. « E » doit s'afficher sur l'indicateur de température du compartiment de congélation et des chiffres tels que 1, 2, 3... doivent s'afficher sur l'indicateur de température du compartiment de réfrigération. Ces chiffres sur l'indicateur fournissent des informations au service autorisé sur l'erreur qui s'est produite. Un point d'exclamation peut être affiché lorsque vous chargez des aliments chauds dans le compartiment de congélation ou que vous gardez la porte ouverte pendant une longue période. Il ne s'agit pas d'un défaut, cet avertissement disparaît lorsque l'aliment est refroidi ou lorsqu'on appuie sur une touche quelconque.

2. Indicateur d'économie d'énergie (affichage éteint)

La fonction d'économie d'énergie est activée automatiquement et le symbole d'économie d'énergie s'affiche lorsque la porte du produit n'est pas ouverte ou fermée pendant un certain temps. Lorsque la fonction d'économie d'énergie est active, tous les symboles de l'écran, à l'exception du symbole d'économie d'énergie, sont éteints. Lorsque cette fonction est utilisée, la pression sur une touche quelconque ou l'ouverture de la porte entraîne sa désactivation et les voyants allumés retournent à la normale. La fonction d'économie d'énergie est une fonction activée départ en usine et ne peut être annulée.

3. Touche sans fil

Vous pouvez utiliser cette touche pour vous connecter sans fil à votre appareil à travers l'application mobile HomeWhiz. Si vous appuyez sur la touche pendant une longue période (3 secondes), le symbole de connexion sans fil sur l'écran/l'indicateur clignote lentement (par intervalles de 0,5 seconde). Le réseau domestique est initiali-

sé sur le produit de cette façon. Après avoir établi une connexion sans fil avec le produit, le symbole de connexion sans fil s'allume en continu. Vous pouvez activer/désactiver la connexion après le premier réglage en appuyant sur cette touche. Le symbole de connexion sans fil clignotera rapidement (à intervalles de 0,2 seconde) jusqu'à ce que la connexion soit établie. Lorsque la connexion est active, le symbole de connexion sans fil clignote en continu. En cas d'impossibilité d'établir la connexion pendant une longue période, vérifiez vos paramètres de connexion et reportez-vous à la section « Dépannage » fournie dans le manuel de l'utilisateur. Utilisez l'application HomeWhiz pour la connexion sans fil. Les étapes d'installation sont décrites sur la demande lors de l'installation. Vous pouvez accéder à la demande en lisant le code QR disponible sur l'étiquette HomeWhiz apposée sur le produit. Vous pouvez télécharger l'application sur App Store pour les appareils IOS ou sur Play Store pour les appareils Android. Pour plus de détails, visitez le site <https://www.homewhiz.com/adresse>.

4. Clé de réglage de la température du compartiment de refroidissement

Permet de régler la température du compartiment de réfrigération. Appuyez sur la touche pour régler la température du compartiment de refroidissement à 8°C, 7°C, 6°C, 5°C, 4°C, 3°C, 2°C et 1°C.

5. Clé de réglage de la température du compartiment Congélateur

Le réglage de la température est effectué pour le compartiment de congélation. En appuyant sur cette touche, vous pourrez régler la température du compartiment congélateur à -18 °C, 19°C, -20 °C, -21 °C, -22 °C, -23 °C et -24 °C.

6. Touche du module désodorisant

Appuyez sur cette touche pendant 3 secondes pour activer/désactiver la fonction désodorisante. Lorsque la fonction désodo-

risante est active, l'icône du module désodorisant est allumée. Lorsque la fonction est activée, le module désodorisant fonctionne périodiquement.

7. Touche de gel rapide

Dès que vous appuyez sur la touche de congélation rapide, le symbole de congélation rapide s'allume et la fonction de congélation rapide est activée. La température du compartiment de congélation est réglée sur -27 °C. Appuyez à nouveau sur la touche pour annuler la fonction. La fonction de congélation rapide sera automatiquement annulée après 24 heures. Pour congeler une grande partie d'aliments frais, appuyez sur la touche de congélation rapide avant de mettre les aliments dans le compartiment congélateur.

8. Touche de conversion des compartiments

En appuyant sur la touche de conversion des compartiments pendant 3 secondes, le compartiment de congélation passe respectivement en mode réfrigération, arrêt et congélation. S'il est utilisé comme compartiment de réfrigération, la température du compartiment est réglée à 4 °C. En mode ARRÊT, l'indicateur de température du compartiment affiche « - - ».

7.2 Stockage des aliments dans le compartiment réfrigérant

Stockage des aliments dans le compartiment réfrigérant

- La température des compartiments augmente considérablement si la porte du compartiment est ouverte et fermée fréquemment et si elle reste ouverte pendant longtemps, ce qui peut réduire la durée de vie des aliments et les faire se gâter.
- Afin de ne pas provoquer de changements d'odeur et de goût, les aliments doivent être conservés dans des récipients fermés.
- Ne conservez pas de quantités excessives d'aliments dans votre réfrigérateur. Pour obtenir un refroidissement plus effi-

9. Touche de fonction Arrêt du compartiment réfrigéré (vacances)

Appuyez sur la touche pendant 3 secondes pour activer la fonction vacances. Le mode vacances est activé et le symbole vacances est illuminé. L'expression « - - » s'affiche sur l'indicateur de température du compartiment de réfrigération et ce dernier n'effectue pas d'opération de refroidissement active. Il n'est pas approprié de conserver les aliments dans le compartiment de réfrigération lorsque cette fonction est activée. Les autres compartiments continuent à se refroidir en fonction des températures précédemment réglées. Il suffit d'appuyer à nouveau sur la touche pendant 3 secondes pour annuler cette fonction.

10. Clé pour la réinitialisation des paramètres de connexion sans fil

Pour réinitialiser les paramètres de connexion sans fil, appuyez simultanément sur les touches de congélation rapide et de connexion sans fil pendant 3 secondes. Toutes les informations utilisateur enregistrées précédemment sont supprimées sur un produit dont les paramètres de connexion sans fil sont réinitialisés/rétablis aux valeurs par défaut de l'usine.

cace et homogène, placez les aliments séparément de manière à ce que l'air froid puisse circuler.

- Assurez la circulation de l'air en laissant un espace entre l'aliment et la paroi interne. Si vous appuyez les aliments contre la paroi arrière, ils risquent de geler.
- Amenez les plats chauds cuisinés à la température ambiante avant de les placer dans le réfrigérateur. Ensuite, vous pouvez placer le repas tiède dans les étagères inférieures de votre réfrigérateur. Ne placez pas les repas tièdes à proximité des aliments qui peuvent facilement se gâter.

- Décongelez vos aliments congelés dans le compartiment des aliments frais. Ainsi, vous pouvez refroidir le compartiment des aliments frais en utilisant des aliments congelés et économiser de l'énergie.
- La conservation au réfrigérateur de fruits tropicaux non mûrs (mangue, variétés de melon, papaye, banane, ananas) peut accélérer le processus de maturation. Ce n'est pas recommandé car cela raccourcira la durée de conservation.
- Vous devez conserver les oignons, les aulx, les gingembres et les autres légumes-racines dans une pièce sombre et froide, et non au réfrigérateur.
- Si vous remarquez qu'un aliment a tourné dans le réfrigérateur, jetez-le et nettoyez les accessoires qui ont été en contact avec cet aliment.
- Pour refroidir rapidement les plats tels que les soupes et les ragoûts, qui sont cuits dans de grandes marmites, vous pouvez les mettre au réfrigérateur en les séparant dans leurs propres récipients peu profonds.
- Ne placez pas les aliments non emballés à proximité des œufs.
- Conservez les fruits et légumes séparément et stockez chaque variété ensemble (par exemple : les pommes avec les pommes, les carottes avec les carottes).
- Sortez les légumes verts du sac en plastique et placez-les au réfrigérateur après les avoir enveloppés dans une serviette en papier ou un linge sec. Si vous lavez ce type d'aliments avant de les placer dans le réfrigérateur, n'oubliez pas de les sécher.
- Vous pouvez à la fois créer un environnement humide et assurer une circulation d'air en conservant les fruits et légumes, qui ont tendance à sécher, dans des sacs en plastique perforés ou non fermés.
- Sauf en cas de circonstances extrêmes dans l'environnement, si votre produit (sur le tableau des valeurs de consigne recommandées) est réglé sur les valeurs de consigne spécifiées, les aliments conservent leur fraîcheur plus longtemps, aussi bien dans le compartiment des produits frais que dans celui du congélateur.

Rangez les aliments dans les différents endroits en fonction de leurs propriétés :	
Aliment	Lieux
OEuf	Balconnet
Produits laitiers (beurre, fromage)	Si disponible, compartiment zéro degré (pour les aliments du petit-déjeuner)
Fruits, légumes et verdure	Compartiment fruits-légumes, bac à légumes ou Compartiment EverFresh+ (si disponible)
Viande fraîche, volaille, poisson, saucisses, etc. Aliments cuits	Si disponible, compartiment zéro degré (pour les aliments du petit-déjeuner)
Aliments prêts à consommer, produits emballés, conserves, produits marinés	Étagères supérieures ou balconnet
Boissons, bouteilles, épices et snacks	Balconnet

Stockage des aliments dans le compartiment congélateur

- Vous pouvez activer la fonction de congélation rapide 4 à 6 heures avant la fonction de congélation et effectuer un refroidissement plus rapide.
- Amenez les repas chauds à la température ambiante avant de les placer dans le compartiment congélateur.
- Les aliments à congeler doivent être divisés en portions en fonction de la taille à consommer, et congelés dans des emballages séparés.

- Il est recommandé d'emballer les aliments avant de les placer dans le congélateur.
- Afin de prévenir l'expiration du temps de conservation, inscrivez la date et l'heure de congélation ainsi que le nom du produit sur l'emballage, en fonction des temps de conservation des différents aliments.
- Consommez rapidement les aliments que vous avez décongelés. Les aliments décongelés ne peuvent être recongelés que s'ils sont cuits. Il n'est pas sûr de consommer les aliments frais recongelés sans cuisson après leur décongélation.
- Lorsque vous congelez des aliments frais, ne les mettez pas en contact avec des aliments déjà congelés. Sinon, les aliments congelés seront décongelés.

Stockage des aliments, qui sont vendus sous forme congelée

- Suivez toujours les instructions du producteur en ce qui concerne le temps pendant lequel vous devez conserver vos aliments. Ne dépassez pas le temps indiqué dans ces instructions !
- Afin de préserver la qualité des aliments, veillez à ce que l'intervalle de temps entre la transaction d'achat et le stockage soit aussi court que possible.
- Achetez les aliments congelés qui sont conservés à -18°C ou à des températures inférieures.
- Évitez d'acheter des aliments dont l'emballage est recouvert de glace, etc. Cela signifie que le produit pourrait être partiellement décongelé et recongelé. La température a un impact sur la qualité des aliments.
- Ne dépassez pas la durée de conservation recommandée par le producteur de l'aliment. Ne sortez du congélateur que les aliments dont vous avez besoin.
- Sauf en cas de circonstances extrêmes dans l'environnement, si votre produit (sur le tableau des valeurs de consigne recommandées) est réglé sur les valeurs de consigne spécifiées, les aliments conservent leur fraîcheur plus longtemps, aussi bien dans le compartiment des produits frais que dans celui du congélateur.
- Si le compartiment des aliments frais est réglé sur une température inférieure, les fruits et légumes frais peuvent être partiellement congelés.

Tableau des valeurs de réglage recommandées

Réglage du compartiment congélateur	Réglage du compartiment réfrigérateur	Descriptions
-22°C	4°C	Ce réglage est celui qui est recommandé par défaut. Ce réglage est recommandé si la température ambiante est inférieure à 30°C .
-20°C	6°C	Ces réglages sont recommandés pour des températures ambiantes excédant 25°C .
Congélation rapide	4°C	Est utilisée lorsque vous voulez congeler vos denrées pendant une courte période. Lorsque le processus est terminé, il retourne à sa position précédente.

Congélation rapide

1. Activez la fonction de congélation rapide 24 heures avant de placer vos aliments frais dans le congélateur.
2. 24 heures après avoir activé la fonction, placez d'abord les aliments que vous souhaitez congeler sur la 2e étagère à forte capacité de congélation.

3. La fonction de congélation rapide se désactive automatiquement au bout de 48 heures.

Détails du congélateur

Selon les normes IEC 62552, à une température ambiante de 25°C , le congélateur doit pouvoir congeler 4,5 kg de denrées alimentaires à -18°C ou à des températures

inférieures en 24 heures pour chaque 100 litres de volume du compartiment congélateur.

Les aliments peuvent être préservés pour des périodes prolongées uniquement à des températures inférieures ou égales à -18 °C.

Vous pouvez garder les aliments frais pendant des mois (dans le congélateur à des températures inférieures ou égales à 18 °C).

Les aliments à congeler ne doivent pas être en contact avec ceux déjà congelés pour éviter un dégivrage partiel.

Faites bouillir les légumes et filtrez l'eau pour prolonger la durée de conservation à l'état congelé. Placez les aliments dans des emballages sous vide après les avoir filtrés et placez-les dans le congélateur. Les bananes, les tomates, les feuilles de laitue, le céleri, les œufs durs, les pommes de terre et les aliments similaires ne doivent pas être congelés. Au cas où cette nourriture pourrit, seules les valeurs nutritionnelles et les qualités alimentaires seront affectées négativement. Une pourriture menaçant la santé humaine n'est pas en cause.

Placer les aliments

Balconnets du compartiment congélateur : Différents aliments congelés comme la viande, le poisson, la crème glacée, les légumes, etc.

Étagères du compartiment réfrigérateur : Les aliments contenus dans des casseroles, des plats couverts, des gamelles et les œufs (dans des gamelles)

Balconnets de la porte du compartiment réfrigérateur : Aliments ou boissons de petite taille et emballés.

Bac à légumes : Légumes et fruits

Compartiment des aliments frais : Delicatessen (aliments pour le petit déjeuner, produits carnés à consommer dans un délai court).

7.3 Zone d'entreposage frais des produits laitiers

Tiroir de stockage du froid

Le tiroir de stockage du froid peut atteindre des températures plus basses dans le compartiment réfrigérant. Utilisez ce tiroir pour les produits de charcuterie (salami, saucisse, etc.) et les produits laitiers qui nécessitent des conditions de stockage plus froides, ou pour la viande, le poulet ou le poisson à consommer rapidement. Il n'est pas possible de stocker des fruits et des légumes dans ce tiroir.

7.4 Inversion du côté d'ouverture de la porte

Le côté d'ouverture de la porte de votre réfrigérateur peut être inversé en fonction de l'endroit où vous le placez. En cas de besoin, vous devez absolument appeler le service agréé le plus proche.

7.5 Alerte de porte ouverte

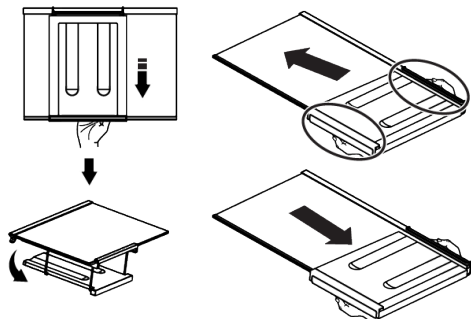
Un signal sonore est émis si la porte de l'appareil reste ouverte pendant 1 minute. L'alerte sonore s'arrête lorsque vous fermez la porte de l'armoire ou appuyez sur n'importe quel bouton de l'écran (si disponible).

7.6 Porte-bouteille pliable

Il permet à l'utilisateur de stocker des bouteilles de vin si nécessaire. Pour utiliser la section de la crémaillère, saisissez la partie en plastique et tirez-la doucement vers le bas. Vous pouvez maintenant utiliser le porte-bouteilles pliable.



Il est recommandé de stocker un maximum de 2 bouteilles de vin sur le porte-bouteilles pliable.



Pour regrouper le porte-bouteille, retirez premièrement la tablette en verre du réfrigérateur. Placez-le sur l'étagère en verre en poussant la partie en plastique dans les rainures avant et arrière, comme indiqué sur la photo. Le produit sera prêt à être utilisé avec le porte-vin pliable.

Pour retirer le porte-bouteilles pliable, premièrement, retirez la tablette en verre du réfrigérateur. Saisissez ensuite la partie en plastique et tirez-la dans n'importe quelle direction. Vous pouvez maintenant utiliser l'appareil sans porte-bouteilles pliable si nécessaire.

7.7 Remplacement de la lampe d'éclairage

Appelez le service autorisé lorsque l'ampoule/LED utilisée pour l'éclairage de votre réfrigérateur doit être remplacée.

8 Entretien et nettoyage



AVERTISSEMENT :

Lisez d'abord la section « Instructions de sécurité ».



AVERTISSEMENT :

Débranchez le réfrigérateur avant le nettoyage.

- N'utilisez pas des objets pointus ou des produits de nettoyage abrasifs pour nettoyer l'appareil. Il ne faut pas utiliser de matériaux tels que des produits d'entretien ménager, du savon, des détergents, du gaz, de l'essence, un diluant, de l'alcool, de la cire, etc.

La ou les lampes utilisées dans cet appareil ne peuvent pas être utilisées pour l'éclairage de la maison. L'objectif de cette lampe est d'aider l'utilisateur à placer les aliments dans le réfrigérateur/congélateur de manière sûre et confortable.

7.8 AeroFresh

C'est un système de distribution d'air qui assure une répartition homogène de la température. Grâce à la circulation de l'air, la distribution homogène de la température est assurée dans le compartiment de stockage des aliments frais, et les fluctuations de température sont maintenues à de faibles niveaux. Il n'y a pas de soufflage direct d'air sur les aliments, ce qui permet de réduire la perte d'humidité. Cela préserve la fraîcheur des aliments stockés dans le compartiment des aliments frais du réfrigérateur. De cette façon, vos aliments sont conservés à des températures plus stables et le contact avec l'air est réduit. Le séchage et le rétrécissement des aliments par perte d'humidité sont évités et la fraîcheur est assurée plus longtemps.

- La poussière doit être enlevée de la grille de ventilation située à l'arrière du produit au moins une fois par an (sans ouvrir le couvercle). Nettoyez l'appareil avec un chiffon humide.
- Veillez à ne pas mouiller le logement de la lampe ainsi que d'autres composants électriques.
- Nettoyez la porte avec un chiffon humide. Retirez tout le contenu pour enlever la porte et les supports de carrosserie. Retirez les supports de porte en les soulevant vers le haut. Nettoyez et séchez les étagères, puis refixez-les en les faisant glisser à partir du haut.

- N'utilisez pas d'eau contenant du chlore, ou des produits de nettoyage pour les surfaces externes et les pièces chromées de l'appareil. Le chlore entraîne la corrosion de ce type de surfaces métalliques.
- Il ne faut pas utiliser d'outils tranchants et abrasifs, de savon, de produits d'entretien ménager, de détergents, de gaz, d'essence, de vernis et de substances similaires pour empêcher la déformation de la pièce en plastique et l'élimination des empreintes sur la pièce. Utilisez de l'eau chaude et un chiffon doux pour le nettoyage, puis séchez-le.
- Sur les produits sans fonction « No-Frost », des gouttelettes d'eau et un givre peuvent se former sur la paroi arrière du compartiment congélateur. Ne nettoyez pas et n'appliquez jamais d'huiles ou de produits similaires.
- Utilisez un chiffon en microfibres légèrement humidifié pour nettoyer la surface extérieure du produit. Les éponges et autres types de vêtements de nettoyage peuvent provoquer des éraflures.
- Afin de nettoyer tous les composants amovibles pendant le nettoyage de la surface intérieure du produit, il faut laver ces composants avec une solution douce composée de savon, d'eau et de carbonate. Lavez et séchez soigneusement. Évitez le contact de l'eau avec les composants d'éclairage et le panneau de contrôle.



ATTENTION :

N'utilisez pas de vinaigre, d'alcool à friction ni de produits nettoyants à base d'alcool sur les surfaces intérieures.

Surfaces extérieures en acier inoxydable

Utilisez un produit de nettoyage non abrasif pour l'acier inoxydable et appliquez-le avec un chiffon doux non pelucheux. Pour polir, essuyez doucement la surface avec un chiffon en microfibres humidifié à l'eau et utilisez une peau de chamois sèche. Suivez toujours les veines de l'acier inoxydable.

Prévention des odeurs

À sa sortie d'usine, cet appareil ne contient aucun matériau odorant. Cependant, la conservation des aliments dans des sections inappropriées et le mauvais nettoyage de l'intérieur peuvent donner lieu aux mauvaises odeurs.

- Pour éviter cela, nettoyez l'intérieur à l'aide de carbonate dissout dans l'eau tous les 15 jours.
- Conservez les aliments dans des récipients scellés, car les micro-organismes provenant des aliments conservés dans des récipients non scellés provoquent une mauvaise odeur.
- Ne conservez pas d'aliments périmés ou avariés dans le réfrigérateur.

Protection des surfaces en plastique

Si de l'huile se répand sur les surfaces en plastique, il faut immédiatement les nettoyer avec de l'eau tiède, sinon elles seront endommagées.

9 Dépannage

Vérifiez la liste suivante avant de contacter le service après-vente. Cela devrait vous éviter de perdre du temps et de l'argent. Cette liste répertorie les plaintes fréquentes ne provenant pas de vices de fabrication ou des défauts de pièces. Certaines fonctionnalités mentionnées dans ce manuel peuvent ne pas exister sur votre modèle.

Le réfrigérateur ne fonctionne pas.

- La fiche électrique n'est pas correctement insérée. >>> Branchez-la en l'enfonçant complètement dans la prise.
- Le fusible branché à la prise qui alimente l'appareil ou le fusible principal est grillé. >>> Vérifiez les fusibles.

Condensation sur la paroi latérale du congélateur (MULTI ZONE, COOL, CONTROL et FLEXI ZONE).

- La porte a été ouverte trop fréquemment >>> Évitez d'ouvrir trop fréquemment la porte de l'appareil.
- L'environnement est trop humide. >>> N'installez pas l'appareil dans des endroits humides.
- Les aliments contenant des liquides sont conservés dans des récipients non fermés. >>> Conservez ces aliments dans des emballages scellés.
- La porte de l'appareil est restée ouverte. >>> Ne laissez pas la porte de l'appareil ouverte longtemps.
- Le thermostat est réglé sur une température très froide. >>> Réglez le thermostat à la température appropriée.

Le compresseur ne fonctionne pas.

- En cas de coupure soudaine de courant ou de débranchement intempestif, la pression du gaz dans le système de réfrigération de l'appareil n'est pas équilibrée, ce qui déclenche la fonction de conservation thermique du compresseur. L'appareil se remet en marche au bout de 6 minutes environ. Dans le cas contraire, veuillez contacter le service de maintenance.
- Le dégivrage est actif. >>> Ce processus est normal pour un appareil à dégivrage complètement automatique. Le dégivrage se déclenche périodiquement.
- L'appareil n'est pas branché. >>> Vérifiez que le cordon d'alimentation est branché.
- Le réglage de la température est incorrect. >>> Sélectionnez le réglage de température approprié.
- Absence d'énergie électrique. >>> Le produit continuera à fonctionner normalement une fois le courant rétabli.

Le bruit du réfrigérateur en fonctionnement s'accroît pendant son utilisation.

- Le rendement de l'appareil en fonctionnement peut varier en fonction des fluctuations de la température ambiante. Ceci est normal et ne constitue pas un dysfonctionnement.

Le réfrigérateur fonctionne fréquemment ou pendant de longues périodes.

- Il se peut que le nouvel appareil soit plus grand que l'ancien. Les appareils plus grands fonctionnent plus longtemps.
- La température de la pièce est peut-être trop élevée. >>> Il est normal que l'appareil fonctionne plus longtemps quand la température de la pièce est élevée.
- L'appareil vient peut-être d'être branché ou chargé de nouvelles denrées alimentaires. >>> L'appareil met plus longtemps à atteindre la température réglée s'il vient d'être branché ou récemment rempli de denrées. C'est normal.
- Il est possible que des quantités importantes d'aliments chauds aient été récemment placées dans l'appareil. >>> Ne mettez pas d'aliments chauds à l'intérieur de l'appareil.
- Les portes étaient ouvertes fréquemment ou sont restées longtemps ouvertes. >>> L'air chaud qui se déplace à l'intérieur permet à l'appareil de fonctionner plus longtemps. N'ouvrez pas les portes trop fréquemment.
- Il est possible que la porte du congélateur soit entrouverte. >>> Vérifiez que les portes sont complètement fermées.
- L'appareil peut être réglé à une température trop basse. >>> Réglez la température à un degré supérieur et attendez que l'appareil atteigne la nouvelle température.
- Le joint de la porte du congélateur peut être sale, usé, cassé, ou mal positionné. >>> Nettoyez ou remplacez le joint d'étanchéité. Si le joint du congélateur est endommagé ou arraché, l'appareil prendra plus longtemps à conserver la température actuelle.

La température du congélateur est très basse, alors que celle du réfrigérateur est appropriée.

- La température du compartiment congélateur est très basse. >>> Réglez la température du compartiment congélateur à un degré supérieur et vérifiez à nouveau.

La température du réfrigérateur est très basse, alors que celle du congélateur est appropriée.

- La température du compartiment réfrigérateur est très basse. >>> Réglez la température du compartiment de refroidissement à un degré supérieur et vérifiez à nouveau.

Les aliments conservés dans le compartiment réfrigérateur sont congelés.

- La température du compartiment réfrigérateur est très basse. >>> Réglez la température du compartiment de refroidissement à un degré supérieur et vérifiez à nouveau.

La température du compartiment réfrigérateur ou congélateur est très élevée.

- La température du compartiment réfrigérateur est réglée à un degré très élevé. >>> Le réglage de la température du compartiment réfrigérateur a une incidence sur la température du compartiment congélateur. Attendez jusqu'à ce que la température des pièces correspondantes atteigne le niveau d'efficacité requis en changeant la température des compartiments réfrigérateur ou congélateur.
- Les portes étaient ouvertes fréquemment ou sont restées longtemps ouvertes. >>> N'ouvrez pas les portes trop fréquemment.
- La porte peut être entrouverte. >>> Fermez complètement la porte.
- L'appareil vient peut-être d'être branché ou chargé de nouvelles denrées alimentaires. >>> Cela est normal. L'appareil met plus longtemps à atteindre la température réglée s'il vient d'être branché ou récemment rempli de denrées.
- Il est possible que des quantités importantes d'aliments chauds aient été récemment placées dans l'appareil. >>> Ne mettez pas d'aliments chauds à l'intérieur de l'appareil.

En cas de vibrations ou de bruits.

- La surface n'est pas plate ou durable >>> Si l'appareil balance lorsqu'il est déplacé doucement, ajustez les supports afin de le remettre en équilibre. Assurez-vous également que le sol est assez solide pour supporter l'appareil.
- Les éléments placés sur l'appareil peuvent être à l'origine du bruit. >>> Retirez tous les éléments placés sur l'appareil.
- L'appareil émet un bruit d'écoulement de liquide ou de pulvérisation, etc.
- Les principes de fonctionnement de l'appareil impliquent des écoulements de liquides et des émissions de gaz. >>> Ceci est normal et ne constitue pas un dysfonctionnement.

L'appareil émet un sifflement.

- L'appareil effectue le refroidissement à l'aide d'un ventilateur. Ceci est normal et ne constitue pas un dysfonctionnement.

Il y a de la condensation sur les parois internes de l'appareil.

- Un climat chaud ou humide accélère le processus de givrage et de condensation. Ceci est normal et ne constitue pas un dysfonctionnement.
- Les portes étaient ouvertes fréquemment ou sont restées longtemps ouvertes. >>> N'ouvrez pas les portes trop fréquemment ; fermez-les lorsqu'elles sont ouvertes.
- La porte peut être entrouverte. >>> Fermez complètement la porte.

Il y a de la condensation sur les parois externes ou entre les portes de l'appareil.

- Il se peut que le climat ambiant soit humide, auquel cas cela est normal. >>> La condensation se dissipera lorsque l'humidité sera réduite.

Présence d'une odeur désagréable dans l'appareil.

- L'appareil n'est pas nettoyé régulièrement. >>> Nettoyez régulièrement l'intérieur à l'aide d'une éponge, de l'eau tiède et du carbonate dissout dans l'eau.
- Certains récipients et matériaux d'emballage sont peut-être à l'origine des mauvaises odeurs. >>> Utilisez des récipients et des emballages exempts de toute odeur.
- Les aliments étaient placés dans des récipients ouverts. >>> Conservez les aliments dans des récipients fermés. Des micro-organismes peuvent se proliférer dans des récipients non fermés et émettre de mauvaises odeurs.
- Retirez tous les aliments périmés ou avariés de l'appareil.

La porte ne se ferme pas.

- Les paquets d'aliments peuvent bloquer la porte. >>> Déplacez tout ce qui bloque les portes.
- L'appareil ne se tient pas parfaitement droit sur le sol. >>> Ajustez les supports afin de remettre l'appareil en équilibre.
- La surface n'est pas plane ou durable >>> Assurez-vous que la surface est plane et suffisamment durable pour supporter le produit.

Le bac à légumes est bloqué.

- Il est possible que les aliments soient en contact avec la section supérieure du bac. >>> Reclassez les aliments dans le bac.

Température à la surface de l'appareil.

- Une température élevée peut être observée entre deux portes, sur les panneaux latéraux et sur la zone du gril arrière lorsque votre produit est utilisé. C'est normal et cela ne nécessite pas d'entretien.

Le ventilateur continue de fonctionner lorsque la porte est ouverte.

- Le ventilateur peut continuer à fonctionner lorsque la porte du congélateur est ouverte.



AVERTISSEMENT : Si le problème persiste même après observation des instructions contenues dans cette partie, contactez votre fournisseur ou un service de maintenance agréé. N'essayez pas de réparer vous-même l'appareil. C'est normal.

CLAUSE DE NON-RESPONSABILITÉ / AVERTISSEMENT

Certaines défaillances (simples) peuvent être traitées de manière adéquate par l'utilisateur final sans qu'aucun problème de sécurité ou d'utilisation dangereuse ne survienne, à condition qu'elles soient effectuées dans les limites et conformément aux instructions suivantes (voir la section « Auto-réparation »).

Par conséquent, sauf autorisation contraire dans la section « Auto-réparation » ci-dessous, adressez-vous à des réparateurs professionnels agréés pour toutes réparations afin d'éviter des problèmes de sécurité. Un réparateur professionnel agréé est une personne à qui le fabricant a donné accès aux instructions et à la liste des pièces déta-

chées de ce produit selon les méthodes décrites dans les actes législatifs en application de la directive 2009/125/CE

Toutefois, seul l'agent de service (c'est-à-dire les réparateurs professionnels agréés) que vous pouvez joindre au numéro de téléphone indiqué dans le manuel d'utilisation/la carte de garantie ou par l'intermédiaire de votre fournisseur agréé peut fournir un service conformément aux conditions de garantie. Par conséquent, veuillez noter que les réparations effectuées par des réparateurs professionnels (qui ne sont pas autorisés par) Grundig Marka annulent la garantie.

Auto-réparation

L'auto-réparation peut être effectuée par l'utilisateur final en ce qui concerne les pièces de rechange suivantes : poignées de porte, charnières de porte, plateaux, paniers et joints de porte (une liste mise à jour est également disponible sur support.grundig.com à partir du 1er mars 2021).

En outre, pour garantir la sécurité du produit et éviter tout risque de blessure grave, ladite auto-réparation doit être effectuée en suivant les instructions du manuel d'utilisation pour l'auto-réparation ou celles disponibles sur support.grundig.com. Pour votre sécurité, débranchez le produit avant de procéder à toute auto-réparation.

Les réparations et tentatives de réparation par les utilisateurs finaux pour des pièces ne figurant pas dans cette liste et/ou ne suivant pas les instructions des manuels d'utilisation pour l'auto-réparation ou celles disponibles sur support.grundig.com, pourraient donner lieu à des problèmes de sécurité non imputables à Grundig, et annuleront la garantie du produit.

Il est donc fortement recommandé aux utilisateurs finaux de s'abstenir de tenter d'effectuer des réparations ne figurant pas sur la liste des pièces de rechange mentionnée, mais de contacter dans de tels cas des réparateurs professionnels autorisés ou des réparateurs professionnels agréés. Au contraire, de telles tentatives de la part des utilisateurs finaux peuvent causer des problèmes de sécurité et endommager le produit et, par la suite, provoquer un incendie, une inondation, une électrocution et des blessures corporelles graves.

À titre d'exemple, mais sans s'y limiter, vous devez vous adresser à des réparateurs professionnels autorisés ou à des réparateurs professionnels agréés pour les réparations suivantes : compresseur, circuit de refroidissement, carte mère, carte d'inverseur, panneau d'affichage, etc.

Le fabricant/vendeur ne peut être tenu responsable dans tous les cas où les utilisateurs finaux ne se conforment pas à ce qui précède.

La disponibilité des pièces de rechange du réfrigérateur que vous avez acheté est de 10 ans. Pendant cette période, les pièces de rechange d'origine seront disponibles pour faire fonctionner le réfrigérateur correctement.

La durée minimale de garantie du réfrigérateur que vous avez acheté est de 24 mois.

Cet appareil est équipé d'une source d'éclairage de classe énergétique « G ».

La source d'éclairage de cet appareil ne doit être remplacée que par des réparateurs professionnels.



Points de collecte sur www.quefairedemesdechets.fr
Privilégiez la réparation ou le don de votre appareil !

Voir aussi

2 CLAUSE DE NON-RESPONSABILITÉ / AVERTISSEMENT [] 54]

¡Lea primero este manual!

Estimado cliente,

Por favor, lea este manual antes de usar el aparato.

Gracias por elegir este aparato de Grundig. Nos gustaría que usted alcanzara la eficiencia óptima de este aparato de alta calidad que fue fabricado utilizando la tecnología más avanzada. A tal fin, antes de utilizar el aparato, lea detenidamente este manual y cualquier otra documentación que se le facilite y consérvela como referencia.

Preste atención a toda la información así como a las advertencias contenidas en el manual de usuario. Esto le permitirá protegerse a sí mismo y a su aparato contra los peligros que puedan surgir.

Guarde el manual de usuario. Incluya este manual con la unidad si se la entrega a otra persona.

Los siguientes símbolos se utilizan en el manual del usuario:



Peligro que puede provocar la muerte o lesiones.



Información importante o consejos útiles sobre el funcionamiento.







Lea el manual de instrucciones.



Material combustible, advertencia de riesgo de incendio.

AVISO Peligro que puede causar daños materiales al aparato o a su entorno

	
SUPPLIER'S NAME	MODEL IDENTIFIER → (*)
	

Se puede acceder a la información del modelo almacenada en la base de datos del aparato ingresando al siguiente sitio web y buscando el identificador de su modelo (*) que se encuentra en la etiqueta energética.
<https://eprel.ec.europa.eu/>

	8	Mantenimiento y limpieza.....	77
	9	Solución de problemas	78
<hr/>			
1		Instrucciones de seguridad	58
1.1		Intención de uso	58
1.2		Seguridad de Niños, Personas Vulnerables y Mascotas.....	58
1.3		Seguridad eléctrica	59
1.4		Seguridad en el manejo	60
1.5		Seguridad de instalación	60
1.6		Seguridad Operacional.....	62
1.7		Seguridad en el almacenamiento de alimentos	64
1.8		Seguridad de mantenimiento y limpieza.....	64
2		Instrucciones medioambientales	65
2.1		Cumplimiento de la Directiva RA-EE y eliminación del producto de desecho:.....	65
3		El frigorífico	66
4		Instalación	67
4.1		Lugar correcto para la instalación	67
4.2		Conexión eléctrica.....	67
4.3		Colocación de las cuñas de plástico.....	68
4.4		Ajuste de las patas	68
4.5		Advertencia de superficie caliente.....	68
5		Preparación	68
5.1		Qué hacer para ahorrar energía....	68
5.2		Uso de primera vez.....	69
5.3		Clase climática y definiciones	69
6		Funcionamiento del producto	69
7		Uso de su electrodoméstico.....	71
7.1		Panel de Control del Producto.....	71
7.2		Almacenamiento de alimentos en el compartimento de la nevera.....	73
7.3		Área de almacenamiento en frío de productos lácteos	76
7.4		Inversión del lado de apertura de la puerta	76
7.5		Alerta de puerta abierta	76
7.6		Botellero plegable.....	76
7.7		Sustitución de la lámpara de iluminación	77
7.8		aerofresco.....	77



1 Instrucciones de seguridad

Esta sección incluye las instrucciones de seguridad necesarias para evitar riesgos de lesiones personales o daños materiales. Nuestra empresa no se hace responsable de los daños que puedan ocurrir de no seguir estas instrucciones.

Las operaciones de instalación y reparación deberán ser realizadas siempre por un servicio autorizado.

Utilice únicamente repuestos y accesorios originales.

Las piezas de repuesto originales se proporcionarán durante 10 años, a partir de la fecha de compra del producto.

No repare ni reemplace ningún componente del aparato a menos que esté claramente especificado en el manual del usuario.

No realice ninguna modificación en el producto.



1.1 Intención de uso

Este aparato no es apto para uso comercial y no debe usarse para otro fin que no sea el previsto. Este aparato está diseñado para usarse en interiores, en el hogar y lugares similares.

Por ejemplo:

- En las cocinas del personal de las tiendas, oficinas y otros entornos de trabajo,
- En casas de campo,
- En las unidades de hoteles, moteles u otras instalaciones de descanso que sean utilizadas por los clientes,
- En albergues, o ambientes similares,
- En servicios de catering y aplicaciones similares no minoristas.

Este aparato no se debe usar en entornos externos abiertos o cerrados, como embarcaciones, balcones o terrazas. Exponer el aparato a la lluvia, la nieve, la luz solar y el viento puede conllevar un riesgo de incendio.



1.2 Seguridad de Niños, Personas Vulnerables y Mascotas

- Este aparato puede ser utilizado por niños mayores de 8 años y personas con capacidades físicas, sensoriales o mentales subdesarrolladas o falta de experiencia y conocimiento si están bajo supervisión o han recibido instrucciones sobre el uso del aparato de manera segura y la peligros involucrados.

- A los niños entre 3 y 8 años se les permite poner y sacar alimentos del frigorífico.
- Los aparatos eléctricos son peligrosos para niños y mascotas. Los niños y los animales domésticos no deben jugar, subirse o entrar en el aparato.
- La limpieza y el mantenimiento por parte del usuario no deben ser realizados por niños, a menos que haya alguien que los supervise.
- Mantenga los materiales de embalaje fuera del alcance de los niños. Riesgo de lesiones y asfixia.

Antes de desechar aparatos viejos que ya no se utilizarán:

1. desenchufe el cable de corriente de la toma de corriente;
 2. Corte el cable de corriente y retírelo del aparato junto con el enchufe.
 3. no retire los estantes y cajones del aparato para así evitar que los niños entren en el aparato;
 4. retire las puertas;
 5. enclaustre el aparato para que no se vuelque;
 6. No permita que los niños jueguen con el aparato viejo;
- no destruya el aparato arrojándolo al fuego. Riesgo de explosión.
 - Si hay una cerradura disponible en la puerta del producto, mantenga la llave fuera del alcance de los niños.



1.3 Seguridad eléctrica

- El aparato no debe estar enchufado durante las operaciones de instalación, mantenimiento, limpieza y reparación.
- Si el cable de corriente está dañado, debe ser reemplazado únicamente por un servicio autorizado para evitar cualquier riesgo que pueda ocurrir.
- No meta el cable de corriente debajo del aparato o en la parte trasera del producto. No coloque objetos pesados sobre el cable de corriente. El cable de corriente no debe doblarse, aplastarse ni entrar en contacto con ninguna fuente de calor.
- No utilice un cable extensor, un enchufe múltiple o un adaptador en el funcionamiento de su aparato.
- Los enchufes múltiples portátiles o las fuentes de corriente portátiles pueden sobrecalentarse y provocar incendios. Por lo tanto, no tenga un enchufe múltiple detrás o cerca del aparato.
- El enchufe debe ser fácilmente accesible. Si esto no es posible, la instalación eléctrica de-

berá incluir un mecanismo que cumpla con la reglamentación eléctrica y que desconecte todos los terminales de la red eléctrica (fusible, interruptor, interruptor principal, etc.).

- No toque el enchufe con las manos mojadas.
- Al desenchufar el aparato, no sujete el cable de corriente, sino el enchufe.



1.4 Seguridad en el manejo

- Este aparato es pesado, no debe ser manipulado por una sola persona.
- No sostenga el aparato de su puerta mientras lo manipula.
- Tenga cuidado de no dañar el sistema de enfriamiento y las tuberías mientras manipula el aparato. No utilice el aparato si los tubos están dañados y comuníquese con un Servicio autorizado.



1.5 Seguridad de instalación

- Contacte con el Servicio Autorizado para la instalación del producto. Para preparar el aparato para la instalación, consulte la información en el manual del usuario y asegúrese de que los servicios de electricidad y agua sean los necesari-

os. De lo contrario, llame a un electricista y plomero para organizar los servicios públicos según sea necesario. Si no lo hace, podría sufrir una descarga eléctrica, un incendio, problemas con el aparato o lesiones.

- Busque daños en el aparato antes de instalarlo. No instale el aparato si está dañado.
- Coloque el aparato sobre una superficie nivelada y firme y establezca con las patas ajustables. De lo contrario, el frigorífico podría volcarse y causar lesiones.
- El aparato deberá ser instalado en un ambiente seco y ventilado. No deje ninguna alfombra, tapete o cubierta de piso similares debajo del aparato. ¡Esto puede resultar en un riesgo de incendio debido a una ventilación inadecuada!
- No bloquee ni cubra los orificios de ventilación. De lo contrario, puede aumentarse el consumo de energía y dañar su aparato.
- El aparato no debe conectarse a sistemas de suministro como el suministro de energía solar. De lo contrario, su aparato puede dañarse debido a cambios repentinos de voltaje.

- Cuanto más refrigerante contenga un frigorífico, más grande debe ser su espacio de instalación. En habitaciones muy pequeñas, puede producirse una mezcla inflamable de gas-aire en caso de una fuga de gas en el sistema de enfriamiento. Se requiere al menos 1 m³ de volumen por cada 8 gramos de refrigerante. La cantidad de refrigerante disponible en su aparato se especifica en la Etiqueta de tipo.
- El lugar de instalación del aparato no debe estar expuesto a la luz solar directa y no debe estar cerca de una fuente de calor como estufas, radiadores, etc. Si no puede evitar la instalación del aparato cerca de una fuente de calor, deberá utilizar una placa de aislamiento adecuada y la distancia mínima a la fuente de calor será la que se especifica a continuación.
 - Al menos 30 cm de distancia de fuentes de calor como estufas, unidades de calefacción y calentadores, etc.,
 - Y a una distancia mínima de 5 cm de los hornos eléctricos.
- Su aparato tiene la clase de protección I.
- Enchufe el aparato en un enchufe con conexión a tierra que cumpla con los valores de voltaje, corriente y frecuencia especificados en la etiqueta de tipo. El enchufe debe tener un fusible de 10A – 16A. Nuestra empresa no asumirá la responsabilidad por ningún daño debido al uso sin toma de tierra y conexión eléctrica de conformidad con las reglamentaciones locales y nacionales.
- El cable de corriente del aparato debe ser desenchufado durante la instalación. De lo contrario, puede producirse una descarga eléctrica y lesiones.
- No conecte el aparato a tomas de corriente sueltas, rotas, sucias, grasientas o que se hayan salido de sus asientos o con riesgo de contacto con el agua.
- Coloque el cable de corriente y las mangueras (si las hay) del aparato de manera que no presenten riesgo de tropiezos.
- La penetración de humedad en las partes vivas o en el cable de corriente puede provocar un cortocircuito. Por lo tanto, no use el aparato en ambientes húmedos o en áreas donde el agua pueda salpicar (por ejemplo, garaje, lavandería, etc.) Si el frigorífico está mojado por

el agua, desenchúfelo y comuníquese con un Servicio autorizado para recibir instrucciones.

- Nunca conecte su frigorífico a dispositivos de ahorro energético. Estos sistemas son perjudiciales para el producto.



1.6 Seguridad Operacional

- Nunca utilice disolventes químicos en el producto. Estos materiales contienen un riesgo de explosión.
- En caso de falla del aparato, desenchúfelo y no lo opere hasta que sea reparado por el Servicio autorizado. ¡Existe el riesgo de descarga eléctrica!
- No coloque una fuente de llamas (por ejemplo, velas, cigarrillos, etc.) sobre el aparato o cerca de él.
- No se suba en el aparato. ¡Riesgo de caídas y lesiones!
- No provoque daños en las tuberías del sistema de enfriamiento con herramientas afiladas y perforantes. El gas refrigerante que sale de un tubo perforado, las extensiones de tubería o los revestimientos de la superficie superior puede causar irritación de la piel y lesiones en los ojos.
- No coloque ni utilice aparatos eléctricos dentro del frigorífico/congelador a menos que así lo indique el fabricante.
- No atasque ninguna parte de sus manos o su cuerpo con las partes móviles dentro del aparato. Tenga cuidado de evitar que sus dedos se atasquen entre el frigorífico y su puerta. Tenga cuidado al abrir o cerrar la puerta si hay niños cerca.
- No lleve a su boca helado, cubitos de hielo o alimentos congelados en seguida de que los saque del congelador. ¡Peligro de congelación!
- No toque las paredes internas, las partes metálicas del congelador o los alimentos guardados dentro del congelador con las manos mojadas. ¡Peligro de congelación!
- No coloque latas de refresco o latas y botellas que contengan líquidos que puedan congelarse en el compartimiento del congelador. Las latas o botellas pueden explotar. ¡Peligro de lesiones y daños materiales!
- No use ni coloque materiales sensibles a la temperatura como aerosoles inflamables, objetos inflamables, hielo seco u

otros agentes químicos cerca del frigorífico. ¡Peligro de incendio y explosión!

- No guarde materiales explosivos como latas de aerosol con materiales inflamables dentro del aparato.
- No coloque latas que contengan líquidos sobre el aparato. Las salpicaduras de agua sobre una parte eléctrica pueden causar el riesgo de una descarga eléctrica o un incendio.
- Este aparato no ha sido diseñado para el almacenamiento y enfriamiento de medicamentos, plasma sanguíneo, preparaciones de laboratorio o materiales y productos similares sujetos a la Directiva de productos médicos.
- No usar el aparato para su propósito previsto, puede causar daños o deterioro de los productos que se guardan en su interior.
- Si su frigorífico está equipado con luz azul, no mire esta luz con dispositivos ópticos. No mire directamente a la luz LED UV durante mucho tiempo. Los rayos ultravioleta pueden causar fatiga visual.
- No llene el aparato con más alimentos que su capacidad. Pueden ocurrir lesiones o daños si el contenido del frigorífico se cae cuando se abre la puerta. También pueden ocurrir problemas similares cuando se coloca un objeto sobre el producto.
- Asegúrese de haber eliminado el hielo o el agua que pueda haber caído al piso para evitar lesiones.
- Cambie la ubicación de los estantes/porta botellas en la puerta de su frigorífico mientras los estantes estén vacíos solamente. ¡Existe peligro de dañarse!
- No coloque objetos que puedan caerse o volcarse sobre el producto. Estos objetos pueden caerse al abrir o cerrar la puerta y causar lesiones y / o daños materiales.
- No golpee ni ejerza una presión excesiva sobre las superficies de vidrio. Los vidrios rotos pueden causar lesiones y / o daños materiales.
- El sistema de refrigeración de su aparato contiene refrigerante R600a. El tipo de refrigerante utilizado en el aparato se especifica en la etiqueta de tipo. Este gas es inflamable. Por lo tanto, tenga cuidado de no dañar el sistema de enfriamiento y las tuberías mientras opera el aparato. En caso de daños a las tuberías:

1. No toque el aparato ni el cable de corriente.
2. Mantenga el aparato alejado de posibles fuentes de fuego que puedan provocar que el aparato se incendie.
3. Ventilar el área donde se coloca el producto. No use un ventilador.
4. Póngase en contacto con el servicio autorizado.
5. Si el aparato está dañado y observa fugas de gas, manténgase alejado del gas. El gas puede causar congelación si entra en contacto con su piel.



1.7 Seguridad en el almacenamiento de alimentos

Preste atención a las siguientes advertencias para evitar el deterioro de los alimentos:

- Dejar las puertas abiertas durante mucho tiempo puede hacer que aumente la temperatura en el interior del producto.
- Limpie regularmente los sistemas de drenaje accesibles en contacto con alimentos.
- Limpiar los depósitos de agua que no se hayan utilizado durante 48 horas y los sistemas

de agua de red que no se hayan utilizado durante más de 5 días.

- Almacene los productos de carne y pescado crudos en compartimentos apropiados dentro del producto. Así, no gotea ni entra en contacto con otros alimentos.
- Los compartimentos congeladores de dos estrellas se utilizan para almacenar alimentos precargados, hacer y almacenar hielo y helados.
- Los compartimentos de una, dos y tres estrellas no son apropiados para congelar alimentos frescos.
- Si el frigorífico se ha dejado vacío durante mucho tiempo, apáguelo, descongélelo, límpielo y séquelo para proteger la carcasa del aparato.



1.8 Seguridad de mantenimiento y limpieza

- No tire de la manija de la puerta si va a mover el aparato para limpiarlo. La manija puede causar lesiones si se le tira con demasiada fuerza.

- No limpie el aparato rociando o vertiendo agua sobre el aparato y dentro del mismo. Riesgo de descarga eléctrica e incendio.
- Al limpiar el producto, no utilice herramientas afiladas y abrasivas ni productos de limpieza domésticos, detergentes, gas, gasolina, diluyentes, alcohol, barnices y sustancias similares. Utilice únicamente productos de limpieza y mantenimiento que no sean nocivos para los alimentos del interior del producto.
- Nunca utilice vapor o productos de limpieza al vapor para limpiar el aparato y desconge-

lar el hielo que contiene. El vapor entra en contacto con las áreas activas de su frigorífico y provoca un cortocircuito o una descarga eléctrica.

- Tenga cuidado de mantener el agua lejos de los circuitos electrónicos o la iluminación del aparato.
- Use un paño limpio y seco para limpiar el polvo o cualquier material extraño en las puntas de los enchufes. No utilice un paño húmedo o mojado para limpiar el enchufe. De lo contrario, puede producirse un incendio o una descarga eléctrica.

2 Instrucciones medioambientales

2.1 Cumplimiento de la Directiva RAEE y eliminación del producto de desecho:



Este aparato cumple con la Directiva WEEE (RAEE) de la UE (2012/19/EU). Este aparato lleva un símbolo de la clasificación de los equipos eléctricos y electrónicos WEEE (RAEE).

Este símbolo indica que este aparato no debe desecharse con otros desechos domésticos al final de su vida útil. El aparato usado debe ser entregado en el punto de recogida oficial para el reciclaje de aparatos

eléctricos y electrónicos. Para encontrar estos puntos de limpieza, por favor, póngase en contacto con las autoridades locales o con la tienda en la que compró el aparato. Cada hogar desempeña un papel importante en la recuperación y el reciclaje de los aparatos viejos. La eliminación apropiada de los aparatos usados ayuda a prevenir posibles consecuencias negativas en el medio ambiente y la salud humana.

Cumplimiento de la directiva RoHS

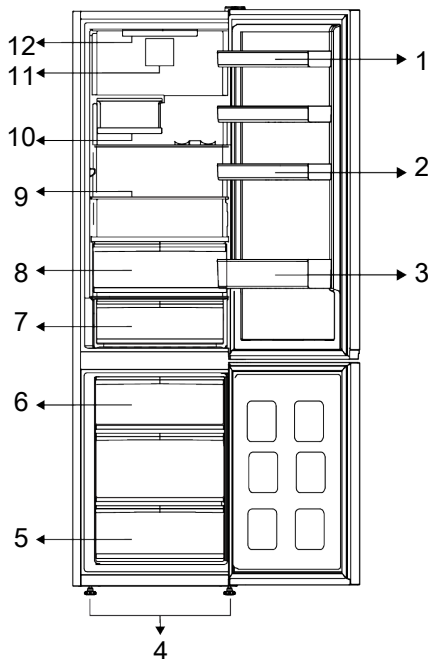
El aparato que ha adquirido cumple con la Directiva de UE RoHS (2011/65/UE). No contiene materiales nocivos ni prohibidos especificados en la Directiva.



Información de embalaje

Los materiales de embalaje del aparato se fabrican con material reciclable, de acuerdo con nuestra Reglamentación Nacional para el Medio Ambiente. No desechar el embalaje junto con la basura doméstica ni similares. Llévelos a los puntos de recolección de material de embalaje designados por las autoridades locales.

3 El frigorífico



- 1 * Estantes de puerta ajustables
- 3 * Botellero
- 5 * Compartimento congelador
- 7 * Cajón de almacenamiento en frío
- 9 * Estantes ajustables
- 11 * Ventilador

- 2 * Hueveras
- 4 * Patas delanteras ajustables
- 6 * Cubitera
- 8 * Cajón de frutas y verduras
- 10 * Cubo de vino plegable
- 12 * Lámpara de iluminación

***Opcional:** Las imágenes de este manual de usuario son esquemáticas; es posible que no coincidan exactamente con su pro-

ducto. Si el aparato no contiene las partes pertinentes, entonces la información pertenece a otros modelos.

4 Instalación



¡Primero lea la sección de "Instrucciones de Seguridad"!

4.1 Lugar correcto para la instalación

Contacte con el Servicio Autorizado para la instalación del producto. Para preparar el aparato para la instalación, consulte la información en el manual del usuario y asegúrese de que los servicios de electricidad y agua sean los necesarios. De lo contrario, llame a un electricista y plomero para organizar los servicios públicos según sea necesario.



ADVERTENCIA:

El fabricante no asume ninguna responsabilidad por los daños causados por el trabajo realizado por personas no autorizadas.



ADVERTENCIA:

El cable de corriente del aparato debe ser desenchufado durante la instalación. ¡El no hacerlo puede resultar en la muerte o lesiones graves!



ADVERTENCIA:

Si el espacio de la puerta es demasiado estrecho para que el aparato pase, quite la puerta y gire el aparato hacia los lados, y si esto no funciona, póngase en contacto con el servicio técnico autorizado.

- Coloque el aparato sobre una superficie plana para evitar vibraciones.
- Coloque el aparato al menos a 30 cm de distancia del calentador, estufa o fuentes de calor y por lo menos a 5 cm de distancia de hornos eléctricos.
- No exponga el aparato a la luz solar directa ni lo guarde en ambientes húmedos.

- Su aparato requiere una circulación de aire adecuada para funcionar eficientemente. Si el aparato va a ser colocado en un hueco, recuerde dejar al menos 5 cm de espacio entre el aparato y el techo, la pared trasera y las paredes laterales.
- Compruebe si el componente de protección de la parte trasera se encuentra colocado en su lugar (en caso de ser suministrado con el aparato).
- Si el componente no está disponible, o si se pierde o se cae, coloque el aparato de manera que quede un espacio libre, de al menos 5 cm, entre la superficie trasera del aparato y la pared de la habitación. El espacio libre en la parte trasera es importante para el funcionamiento eficiente del aparato.

4.2 Conexión eléctrica



No utilice alargadores de cables ni enchufes múltiples, en la conexión de corriente.



Un cable de corriente dañado deberá ser reemplazado por el Servicio Autorizado.



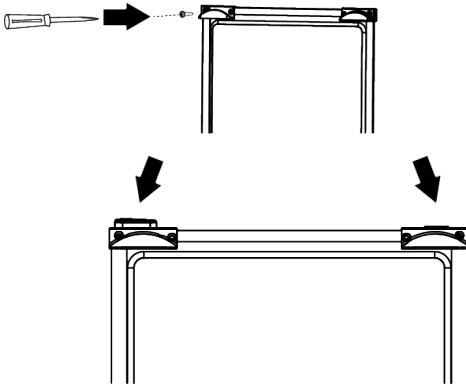
Al colocar dos frigoríficos en posición adyacente, deje al menos 4 cm de distancia entre las dos unidades.

- Nuestra empresa no asumirá la responsabilidad de cualquier daño debido al uso sin conexión de tierra y a la electricidad en el cumplimiento de las normativas nacionales.
- El enchufe del cable de corriente debe ser de fácil acceso después de la instalación.
- No utilice un enchufe multigrupo con o sin cable de extensión entre la toma de pared y el frigorífico.

4.3 Colocación de las cuñas de plástico

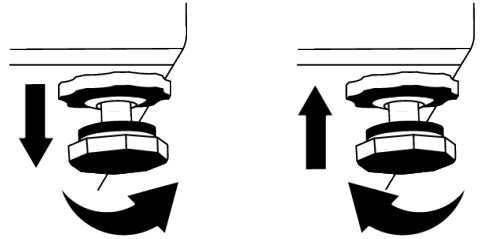
Utilice las cuñas de plástico provistas con el aparato para mantener suficiente espacio para la circulación de aire entre el aparato y la pared.

1. Para colocar las cuñas, quite los tornillos en el aparato y utilice los tornillos provistos con las cuñas.
2. Coloque 2 cuñas de plástico sobre la cubierta de la ventilación como se muestra en la figura.



4.4 Ajuste de las patas

Si el aparato no está en una posición equilibrada, ajuste las patas delanteras ajustables girándolas hacia la derecha o hacia la izquierda.



4.5 Advertencia de superficie caliente

En las paredes laterales de su aparato existen tubos de enfriamiento para mejorar el sistema de refrigeración. Es posible que el fluido a alta presión fluya a través de estas superficies y ocasione superficies calientes en las paredes laterales. Esto es normal y no requiere servicio. Tenga cuidado cuando toca estas áreas.

5 Preparación



¡Primero lea la sección de "Instrucciones de Seguridad"!

5.1 Qué hacer para ahorrar energía



La conexión del aparato a sistemas de ahorro de energía electrónica es perjudicial, ya que puede dañar el aparato.

- Este aparato de refrigeración no está diseñado para ser utilizado como un aparato empotrado.
- No mantenga las puertas del frigorífico abiertas por largos periodos.
- No coloque alimentos ni bebidas calientes en el frigorífico.
- No llene demasiado el frigorífico, bloquear el flujo de aire interno reducirá la capacidad de enfriamiento.
- Para cargar la máxima cantidad de alimentos en el congelador de su frigorífico, se deben sacar los cajones superiores y colocar los alimentos en los estantes de alambre/vidrio. El volumen neto y la información sobre el consumo de energía declarados en la etiqueta energética de su aparato se obtuvieron sacando los cajones superiores del compartimento de refrigeración y el cubo de hielo, que es fácilmente extraíble con la mano.
- Se recomienda enfáticamente usar el cajón de abajo cuando se almacene.

- Dependiendo de las características del aparato, descongelar los alimentos congelados en el frigorífico garantizará el ahorro energético y preservará la calidad de los alimentos.
- Asegúrese de que los alimentos no estén en contacto con el sensor de temperatura del compartimento refrigerador descrito a continuación.
- Para garantizar el ahorro de energía y proteger los alimentos en mejores condiciones los alimentos se almacenarán en los cajones del frigorífico.
- Los paquetes de alimentos no deben estar en contacto directo con el sensor de temperatura ubicado en el compartimento del congelador.
- Si están en contacto con el sensor, el consumo de energía del aparato puede aumentar



Un sonido se escuchará cuando el compresor esté activado. Es normal que el aparato haga ruido incluso si el compresor no está funcionando, ya que el líquido y el gas pueden estar comprimidos en el sistema de refrigeración.



Es normal que los bordes delanteros del frigorífico se sientan cálidos. Estas áreas están diseñadas para calentarse con el fin de evitar la condensación.



Para algunos modelos, el panel indicador se apaga automáticamente 1 minuto después de que se cierra la puerta. Se reactivará cuando se abra la puerta o se presione cualquier botón.

5.2 Uso de primera vez

Antes de usar su frigorífico, asegúrese de que se hayan realizado los preparativos necesarios de acuerdo con las instrucciones de las secciones "Instrucciones de seguridad y medio ambiente" e "Instalación".

- Mantenga el aparato en funcionamiento sin colocar comida en su interior durante 6 horas y no abra la puerta, a menos que sea absolutamente necesario.
- El cambio de temperatura causado por abrir y cerrar la puerta mientras se usa el aparato normalmente puede provocar condensación en los estantes de la puerta/cuerpo y la cristalería colocada en el producto.

5.3 Clase climática y definiciones

Consulte la clase climática en la placa de características de su dispositivo. Una de las siguientes informaciones es aplicable a su dispositivo según la clase climática.

- **Número de serie:** Clima templado a largo plazo: Este dispositivo de refrigeración está diseñado para su uso a temperaturas ambiente entre 10 °C y 32 °C.
- **NORTE:** Clima templado: Este dispositivo de refrigeración está diseñado para su uso a temperaturas ambiente entre 16 °C y 32 °C.
- **ST:** Clima subtropical: Este dispositivo de refrigeración está diseñado para su uso a temperaturas ambiente entre 16 °C y 38 °C.
- **T:** Clima tropical: Este dispositivo de refrigeración está diseñado para su uso a temperaturas ambiente entre 16 °C y 43 °C.

6 Funcionamiento del producto



¡Primero lea la sección de "Instrucciones de Seguridad"!

- Para agilizar la operación de descongelación, no utilice ninguna herramienta mecánica ni ninguna otra que no sea la recomendada por el fabricante.
- Las partes del frigorífico tales como la puerta y los cajones no se deben utilizar como soporte ni como escalón. Esto podría causar que el aparato se vuelque o que se dañen sus componentes.
- El aparato se utilizará solamente para almacenar alimentos.
- Cierre la válvula de agua si estará fuera de casa (por ejemplo, de vacaciones) y no utilizará el Icematic o el dispensador

de agua durante un largo período de tiempo. En caso contrario, pueden producirse fugas de agua.

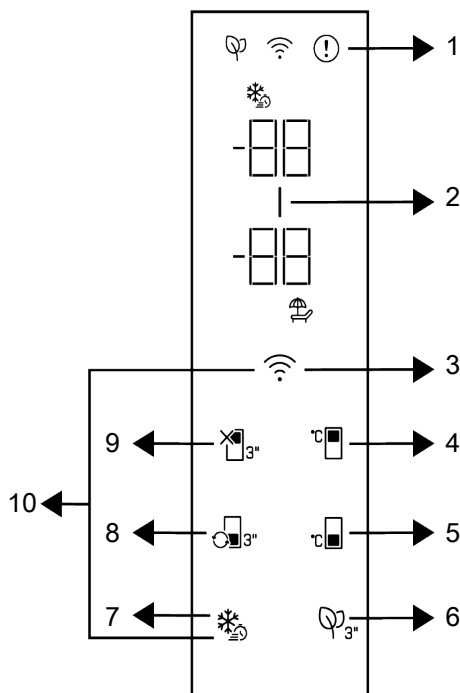
Pausando el programa

- Si no va a utilizar el aparato durante mucho tiempo, desenchúfelo de la toma de corriente.
- Retire la comida para evitar olores.
- Espere a que se derrita el hielo, limpie el interior y déjelo secar, deje las puertas abiertas para no dañar los plásticos internos de la carrocería.

7 Uso de su electrodoméstico

7.1 Panel de Control del Producto

ES



1 * Indicador de estado de error

3 * Botón de Conexión Inalámbrica

5 * Tecla de Ajuste de Temperatura de Congelador

7 * Botón de Congelación Rápida

9 * Función de apagado del compartimento frigorífico (vacaciones)

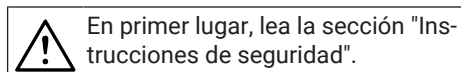
2 * Indicador de Ahorro Energético (Pantalla Apagada)

4 * Tecla para el ajuste de la temperatura del compartimento frigorífico

6 * Tecla del módulo antiolores

8 * Tecla de conversión de compartimento

10 * Tecla para restablecer la configuración de conexión inalámbrica



En primer lugar, lea la sección "Instrucciones de seguridad".

Las funciones audiovisuales del panel de indicadores le ayudarán a usar el refrigerador.

***Opcional:** Las funciones mostradas son opcionales, puede haber diferencias de forma y ubicación en las funciones que se encuentran en el indicador de su aparato.

1. Indicador de Condición de Fallo

En caso de que el frigorífico no enfríe lo suficiente, o de que se produzca un error en el sensor, este indicador se activará. Se mostrará "E" en el indicador de temperatura del congelador, y cifras como 1,2,3... se mostrarán en el indicador de temperatura del frigorífico. Estas cifras le informan al servicio autorizado sobre el error producido. Es posible que aparezca un signo de exclamación cuando se coloquen alimentos calientes en el congelador, o cuando se deje la puerta abierta durante mucho tiempo. Este no es un fallo, esta advertencia desaparecerá cuando los alimentos se enfríen o cuando la tecla se pulsa.

2. Indicador de ahorro energético (pantalla apagada)

El ahorro energético se activará automáticamente, mostrándose el símbolo correspondiente, cuando no se abra ni se cierre la puerta del aparato durante cierto tiempo. Al activar esta función, se apagarán todos los símbolos de la pantalla, excepto el de ahorro energético. Cuando la función de ahorro de energía está activada, al pulsar cualquier tecla o abrir la puerta se desactivará la función de ahorro de energía y las señales de visualización volverán a la normalidad. La función de ahorro de energía se activa en la fábrica y no se puede cancelar.

3. Botón de Conexión Inalámbrica

Este botón se utiliza para conectarse de forma inalámbrica a su electrodoméstico a través de la aplicación móvil HomeWhiz. Si se pulsa el botón durante un tiempo prolongado (3 segundos), el símbolo de conexión en la pantalla o indicador parpadeará lentamente (en intervalos de 0,5 segundos). La red del hogar se inicializa en el aparato de esta manera. Una vez conseguida la conexión inalámbrica con el producto, el símbolo de conexión inalámbrica se ilumina continuamente. Puede activar/desactivar la conexión después de la primera configuración pulsando esta tecla. El símbolo de co-

nexión inalámbrica parpadeará rápidamente (a intervalos de 0,2 segundos) hasta que se establezca la conexión. Cuando la conexión se activa, el símbolo de conexión inalámbrica parpadea continuamente. En caso de que la conexión no se pueda establecer durante un periodo prolongado, compruebe la configuración de la conexión y consulte la sección "Solución de problemas" del manual del usuario. Utilice la aplicación HomeWhiz para la conexión inalámbrica. Los pasos de instalación se describen en la aplicación durante la instalación. Es posible que acceda a la aplicación leyendo el código QR disponible en la etiqueta de HomeWhiz del aparato. La aplicación se puede obtener en App Store para dispositivos IOS o en Play Store para dispositivos Android. Para obtener más información, visite la dirección <https://www.homewhiz.com/>.

4. Tecla de configuración de la temperatura del compartimento frigorífico

Permite ajustar la temperatura del compartimento frigorífico. Al pulsar la tecla se podrá programar la temperatura del compartimento frigorífico a 8°C, 7°C, 6°C, 5°C, 4°C, 3°C, 2°C y 1°C.

5. Tecla de configuración de la temperatura del compartimento del congelador

El ajuste de la temperatura se hace para el congelador. Al presionar la tecla, la temperatura del compartimento del congelador se configurará en -18 °C, 19°C, -20 °C, -21 °C, -22 °C, -23 °C y -24 °C.

6. Clave del módulo antiolores

Pulse esta tecla durante 3 segundos para activar/desactivar la función antiolores. Mientras la función antiolor está activa, el icono del módulo antiolores está iluminado. Cuando la función está activa, el módulo antiolores se activará periódicamente.

7. Tecla de Congelación Rápida

Cuando se pulsa la tecla de congelación rápida, se iluminará el símbolo de congelación rápida y se activará la función de congelación rápida. La temperatura del compartimento de congelación está ajustada a -27 °C. Pulse de nuevo la tecla para cancelar la función. La función de congelación rápida se cancelará automáticamente después de 24 horas. Para congelar una gran cantidad de alimentos frescos, pulse tecla de congelación rápida antes de colocar éstos en el congelador.

8. Tecla de conversión de compartimentos

Cuando se pulsa la tecla de conversión de compartimentos durante 3 segundos, el congelador cambia entre los modos de refrigeración, apagado y congelación respectivamente. Cuando funciona como compartimento de refrigeración, la temperatura del compartimento se ajusta a 4 °C. En el modo OFF, el indicador de temperatura del compartimento mostrará "- -".

9. Tecla de apagado del compartimento

frigorífico (vacaciones)

Pulse la tecla durante 3 segundos para activar la función de vacaciones. El modo de vacaciones se activa y se ilumina el símbolo de vacaciones. La expresión "- -" aparece en el indicador de temperatura del compartimento del refrigerador y el compartimento del refrigerador no realiza una operación de refrigeración activa. No es adecuado mantener la comida en el compartimento frigorífico cuando esta función está activada. El resto de compartimentos seguirá enfriando de acuerdo con las temperaturas ajustadas anteriormente. Pulse otra vez la tecla durante 3 segundos para cancelar esta función.

10. Tecla para restablecer la configuración de la conexión inalámbrica



Para restablecer la configuración de la conexión inalámbrica, hay que pulsar simultáneamente las teclas de congelación rápida y de conexión inalámbrica durante 3 segundos. Al restablecer/restaurar la configuración de la conexión inalámbrica a los valores predeterminados toda la información del usuario registrada anteriormente se elimina.

7.2 Almacenamiento de alimentos en el compartimento de la nevera

Almacenamiento de alimentos en el compartimento de la nevera

- La temperatura del compartimento aumenta considerablemente si la puerta del compartimento se abre y se cierra con frecuencia y se mantiene abierta durante mucho tiempo, lo que puede reducir la vida útil de los alimentos y hacer que se estropeen.
- Para que no se produzcan cambios de olor y sabor, los alimentos deben almacenarse en los recipientes cerrados.
- No almacene demasiados alimentos en el frigorífico. Para conseguir un enfriamiento mejor y homogéneo, coloque los alimentos por separado de forma que el aire frío pueda circular por ellos.
- Proporcione un flujo de aire dejando un espacio entre los alimentos y la pared interna. Si apoya los alimentos contra la pared posterior, éstos pueden congelarse.
- Lleve los alimentos calientes cocinados a la temperatura ambiente antes de colocarlos en el frigorífico. A continuación, puede colocar la comida tibia en los estantes inferiores de su frigorífico. No co-

loque las comidas tibias cerca de los alimentos que pueden estropearse fácilmente.

- Descongele los alimentos congelados en el compartimento de alimentos frescos. De este modo, podrá enfriar el compartimento de alimentos frescos con los congelados y ahorrar energía.
- Almacenar las frutas tropicales no maduras (mango, variedades de melón, papaya, plátano, piña) en el frigorífico puede acelerar el proceso de maduración.
- Las cebollas, los ajos, los jengibres y otras hortalizas de raíz deben almacenarse en condiciones de oscuridad y en cámaras frigoríficas, no en el frigorífico.
- Si observa que un alimento se ha estropeado en el frigorífico, deséchelo y limpie los accesorios que hayan estado en contacto con él.
- Para enfriar rápidamente las comidas como sopas y guisos, que se cocinan en las ollas grandes, puedes ponerlas en la nevera separándolas en sus propios recipientes poco profundos.

- No coloques los alimentos sin envasar cerca de los huevos.
- Guarda las frutas y verduras por separado y almacena cada variedad junta (por ejemplo; las manzanas con las manzanas, las zanahorias con las zanahorias)
- Saca las verduras verdes de la bolsa de plástico y colócalas en el frigorífico después de envolverlas en una toalla de papel o un paño para secarlas. Si lavas este tipo de alimentos antes de meterlos en la nevera, recuerda secarlos.
- Puede crear un ambiente húmedo y proporcionar un flujo de aire guardando las frutas y verduras, que son propensas a secarse, en las bolsas de plástico perforadas o sin cerrar.
- Excepto en los casos en los que se den circunstancias extremas en el entorno, si su producto (en la tabla de valores recomendados) está ajustado a los valores de ajuste especificados, los alimentos mantienen su frescura durante más tiempo tanto en el compartimento de productos frescos como en el del congelador.

Almacene los alimentos en los diferentes lugares según sus propiedades:	
Alimentos	Colocar
Huevo	Estante de puerta
Productos lácteos (mantequilla, queso)	Si está disponible, compartimento de grado cero (para alimentos de desayuno)
Frutas, verduras y hortalizas	Compartimento para frutas y verduras, cajón de verduras o Compartimento EverFresh+ (si está disponible)
Carne fresca, aves, pescado, embutidos, etc. Alimentos cocinados	Si está disponible, compartimento de grado cero (para alimentos de desayuno)
Alimentos listos para servir, productos envasados, alimentos enlatados y encurtidos	Estantes superiores o estante de la puerta
Bebidas, botellas, especias y aperitivos	Estante de puerta

Almacenamiento de alimentos en el compartimento del congelador

- Puede activar la función de congelación rápida 4-6 horas antes de la función de congelación y realizar un enfriamiento más rápido.
- Lleve las comidas calientes a la temperatura ambiente antes de colocarlas en el compartimento del congelador.

- Los alimentos que se van a congelar deben dividirse en porciones según el tamaño que se va a consumir, y congelarse en paquetes separados.
- Se recomienda empaquetar los alimentos antes de colocarlos en el congelador.

- Para evitar la caducidad del tiempo de almacenamiento, escriba en el envase la fecha de congelación, la hora y el nombre del producto según los tiempos de almacenamiento de los diferentes alimentos.
- Consuma rápidamente los alimentos que haya descongelado. Los alimentos descongelados no pueden volver a congelarse si no se cocinan. No es seguro consumir los alimentos frescos recongelados sin cocinar una vez descongelados.
- Al congelar alimentos frescos, no los ponga en contacto con alimentos ya congelados. De lo contrario, los alimentos congelados se descongelarán.

Almacenamiento de los alimentos que se venden congelados

- Siga siempre las instrucciones del productor en relación con el tiempo de conservación de los alimentos. No sobrepase el tiempo especificado en estas instrucciones.
- Para proteger la calidad de los alimentos, mantenga el intervalo de tiempo entre la transacción de compra y el almacenamiento lo más corto posible.
- Compre los alimentos congelados que se almacenan a -18°C o a temperaturas inferiores.
- Evite comprar alimentos cuyos envases estén cubiertos de hielo, etc. Esto significa que el producto podría estar parcialmente descongelado y vuelto a congelar. La temperatura influye en la calidad de los alimentos.
- No sobrepase el tiempo de almacenamiento recomendado por el productor del alimento. Saque del congelador sólo los alimentos que necesite.
- Excepto en los casos en los que se den circunstancias extremas en el entorno, si su producto (en la tabla de valores recomendados) está ajustado a los valores de ajuste especificados, los alimentos mantienen su frescura durante más tiempo tanto en el compartimento de productos frescos como en el del congelador.
- Si el compartimento de productos frescos se ajusta a una temperatura más baja, las frutas y verduras frescas pueden congelarse parcialmente.

Tabla de valores de ajuste recomendados

Configuración del congelador	Configuración del frigorífico	Descripciones
-22°C	4°C	Este es el ajuste predeterminado y recomendado. Este ajuste se recomienda si la temperatura ambiente es inferior a 30°C .
-20°C	6°C	Este ajuste se recomienda si la temperatura ambiente es superior a 25°C .
Quick Freeze	4°C	Úselo cuando desee congelar su comida en poco tiempo. Al finalizar el proceso, volverá a su posición anterior.

Congelación rápida

1. Active la función de congelación rápida 24 horas antes de colocar los alimentos frescos.
2. Transcurridas 24 horas después de pulsar el botón, coloque los alimentos que desee congelar en el segundo estante con mayor capacidad de congelación.
3. La función de congelación rápida se desactivará automáticamente después de 48 horas.

Detalles del congelador

Según la norma IEC 62552, el congelador debe tener capacidad para congelar 4,5 kg de alimentos a -18°C o a temperaturas inferiores a 25°C de temperatura ambiente en 24 horas por cada 100 litros de volumen del compartimento de congelación.

Los artículos de comida solo pueden conservarse durante períodos prolongados en o por debajo de la temperatura de -18°C . Usted puede mantener los alimentos frescos durante meses (en congelador a o por debajo de temperaturas de 18°C).

Los alimentos a congelar no deben ponerse en contacto con los alimentos ya congelados en el interior para evitar la descongelación parcial.

Hierva las vegetales y filtre el agua para prolongar el tiempo de almacenamiento congelado. Coloque los alimentos en envases herméticos después de la filtración y en el congelador. Los plátanos, tomates, lechuga, apio, huevos, patatas y alimentos similares no se deben congelar. En caso de que estos alimentos se pudran, sólo se verán afectados negativamente los valores nutricionales y las cualidades alimentarias. No se trata de una putrefacción que amenace la salud humana.

Colocación de los alimentos

Estantes del congelador: diferentes alimentos congelados como carne, pescado, helados, verduras, etc.

Estantes del frigorífico: alimentos dentro de ollas, platos y cajas con tapa, huevos (en caja con tapa)

Estantes de la puerta del frigorífico: alimentos o bebidas pequeños y envasados

Cajón de verduras: verduras y frutas

Compartimento de alimentos frescos: alimentos delicatessen (alimentos para el desayuno, productos cárnicos para consumir en poco tiempo)

7.3 Área de almacenamiento en frío de productos lácteos

Cajón de almacenamiento en frío

El cajón de almacenamiento en frío puede alcanzar temperaturas más bajas en el compartimento frigorífico. Utilice este cajón para productos delicatessen (salami, salchichas, etc.) y productos lácteos que requieran condiciones de conservación más frías, o para carne, pollo o pescado de consumo rápido. No es adecuado almacenar frutas y verduras en este cajón.

7.4 Inversión del lado de apertura de la puerta

El lado de apertura de la puerta de su frigorífico se puede invertir según el lugar donde lo coloque. Cuando lo necesite, definitivamente debe llamar al Servicio Autorizado más cercano.

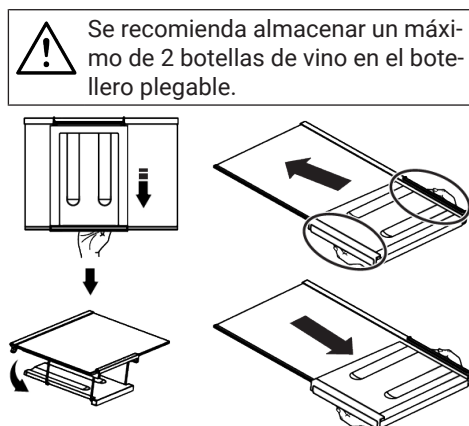
7.5 Alerta de puerta abierta

Alerta de puerta abierta

Se escuchará una alarma sonora si la puerta del aparato permanece abierta durante 1 minuto. La alerta audible se detendrá cuando cierre la puerta del gabinete o presione cualquier botón en la pantalla (si está disponible).

7.6 Botellero plegable

Permite al usuario almacenar botellas de vino si es necesario. Para utilizar la sección de rejilla, sujete la parte de plástico y tire suavemente hacia abajo. Ahora puede utilizar el botellero plegable.



Para agrupar el botellero, primero retire el estante de vidrio del frigorífico. Colóquelo en el estante de vidrio empujando la pieza de plástico a través de las ranuras delantera y trasera como se muestra en la imagen. El aparato estará listo para usar con el botellero plegable.

Para quitar el botellero plegable, primero quite el estante de vidrio del frigorífico. Luego tome la pieza de plástico y tire de ella en cualquier dirección. Ahora puede utilizar el aparato sin un botellero plegable cuando sea necesario.

7.7 Sustitución de la lámpara de iluminación

Llame al Servicio Autorizado cuando la Bombilla/LED utilizada para la iluminación de su frigorífico sea reemplazada.

La(s) lámpara(s) utilizada(s) en este aparato no se puede(n) utilizar para la iluminación del hogar. Esta lámpara está pensada para ayudar al usuario a colocar los alimentos en el frigorífico/congelador de forma segura y cómoda.

7.8 aerofresco

Es un sistema de distribución de aire que proporciona una distribución homogénea de la temperatura. Con la circulación del aire, se asegura la distribución homogénea de la temperatura en el compartimento de almacenamiento de alimentos frescos y las fluctuaciones de temperatura se mantienen en niveles bajos. No se realiza ningún soplo de aire directo sobre los alimentos y esto ayuda a reducir la pérdida de humedad. Conserva la frescura de los alimentos almacenados en el compartimento de alimentos frescos del frigorífico. De esta forma, tus alimentos se almacenan a temperaturas más estables y se reduce el contacto con el aire. Se evita el secado y encogimiento de los alimentos por la pérdida de humedad y se proporciona frescura por más tiempo.

8 Mantenimiento y limpieza



ADVERTENCIA:

En primer lugar, lea la sección "Instrucciones de seguridad".



ADVERTENCIA:

Desenchufe el frigorífico antes de limpiarlo.

- No utilice herramientas afiladas o abrasivas para limpiar el aparato. No utilice materiales como productos de limpieza del hogar, jabón, detergentes, gas, gasolina, diluyente, alcohol, cera, etc.
- Se debe quitar el polvo de la rejilla de ventilación de la parte trasera del aparato al menos una vez al año (sin abrir la tapa). Limpie el aparato con un paño seco.
- Tenga cuidado en mantener el agua lejos de la cubierta de la lámpara y otras partes eléctricas.
- Limpie la puerta con un paño húmedo. Retire todo el contenido para quitar la puerta y las rejillas de la carcasa. Retire las rejillas de la puerta elevándolas hacia arriba. Limpie y seque las estanterías, a continuación, colóquelas de nuevo en su lugar deslizándolas desde arriba.
- No utilice agua clorada ni productos de limpieza en la superficie exterior ni en las partes cromadas del producto. El cloro causará herrumbre en este tipo de superficies metálicas.
- A fin de evitar la deformación de la pieza de plástico y la eliminación de los grabados en la pieza no utilice herramientas afiladas y abrasivas, jabón, materiales de limpieza doméstica, detergentes, gas, gasolina, barniz y sustancias similares. Utilice agua tibia y paño suave para limpiar, y luego seque el aparato.
- En los aparatos que no tienen la función No-Frost, es posible que se produzcan gotas de agua y hielo de un grosor de un dedo en la pared posterior del congelador. No lo limpie, y nunca aplique aceites o materiales similares.
- Utilice un paño de microfibra ligeramente humedecido para limpiar la superficie externa del producto. Las esponjas y otros tipos de trapos de limpieza pueden provocar arañazos.

- Para limpiar todos los componentes removibles durante la limpieza de la superficie interior del producto, lave estos componentes con una solución suave que consista en jabón, agua y carbonato. Llave muy bien y seque. Evite que el agua entre en contacto con los componentes de la iluminación y el panel de control.



¡PRECAUCIÓN!

No utilice vinagre, alcohol para frotar u otros agentes de limpieza a base de alcohol en ninguna de las superficies interiores.

Superficies externas de acero inoxidable

Utilice un producto de limpieza no abrasivo para acero inoxidable y aplíquelo con un paño suave sin pelusas. Para pulir, limpie suavemente la superficie con un paño de

microfibra humedecido con agua y use una gamuza de pulido en seco. Siga siempre los hilos del acero inoxidable.

Prevención de olores

El aparato se fabrica libre de cualquier material oloroso. Sin embargo, mantener la comida en secciones inadecuadas y una limpieza inadecuada de las superficies internas puede causar olor.

- Para evitar esto, limpie el interior con agua carbonatada cada 15 días.
- Mantenga los alimentos en recipientes sellados, ya que los microorganismos que surgen de los alimentos guardados en recipientes sin sellar causarán mal olor.
- No guarde alimentos caducados y en mal estado en el frigorífico.

Protección de superficies de plástico

El aceite derramado en las superficies de plástico puede dañar la superficie y debe ser limpiado inmediatamente con agua tibia.

9 Solución de problemas

Revise esta lista antes de contactar con el servicio técnico. Si lo hace, le ahorrará tiempo y dinero. Esta lista incluye quejas frecuentes que no están relacionados con la mano de obra ni materiales defectuosos. Algunas funciones mencionadas en este documento pueden no ser aplicables a su aparato.

El frigorífico no está funcionando.

- El enchufe no está totalmente en la toma. >>> Conéctelo para asentararlo por completo en la toma.
- El fusible conectado a la toma de corriente del aparato o el fusible principal está fundido. >>> Compruebe el fusible.

Condensación en la pared lateral del compartimento frigorífico (MULTI ZONE, COOL CONTROL y FLEXI ZONE).

- La puerta se abre con demasiada frecuencia. >>> Tenga cuidado de no abrir la puerta del aparato con demasiada frecuencia.

- El medio ambiente es demasiado húmedo. >>> No instale el aparato en ambientes húmedos.
- Los alimentos que contienen líquidos se mantienen en sus envases sin sellar. >>> Mantenga los alimentos que contengan líquidos en envases sellados.
- La puerta del aparato se deja abierta. >>> No mantenga la puerta del aparato abierta durante largos periodos.
- El termostato está ajustado a una temperatura muy fría. >>> Ajuste el termostato a un nivel apropiado.

El compresor no está funcionando.

- En caso de fallo de corriente repentino o tirando del enchufe de corriente y poniéndolo de nuevo, la presión del gas en el sistema de refrigeración del aparato no será equilibrada, lo que desencadena la salvaguardia térmica del compresor. El aparato se reiniciará después de aproxima-

madamente 6 minutos. Si el aparato no se reinicia después de este período, póngase en contacto con el servicio.

- La descongelación está activa. >>> Esto es normal para un aparato de descongelación completamente automático. La descongelación se realiza periódicamente.
- El aparato no está enchufado. >>> Asegúrese de que el cable de corriente esté enchufado.
- El ajuste de la temperatura es incorrecto. >>> Seleccione el ajuste adecuado de la temperatura.
- No hay energía eléctrica. >>> El aparato continuará funcionando con normalidad una vez que se restablezca la corriente.

El ruido de funcionamiento del frigorífico aumenta mientras está en uso.

- El desempeño operativo del aparato puede variar en función de las variaciones de la temperatura ambiente. Esto es normal y no indica mal funcionamiento.

El frigorífico funciona demasiado a menudo o por demasiado tiempo.

- El nuevo aparato puede ser más grande que el anterior. Los aparatos de mayor tamaño se ejecutarán por períodos más largos.
- La temperatura ambiente puede ser alta. >>> El aparato normalmente funciona durante largos períodos a mayor temperatura de la habitación.
- El aparato puede haber sido conectado recientemente o un nuevo alimento fue colocado en su interior. >>> El aparato tardará más en alcanzar la temperatura fijada cuando es enchufado recientemente o si un nuevo alimento se coloca en el interior. Esto es normal.
- Grandes cantidades de alimentos calientes pueden haber sido colocados recientemente en el aparato. >>> No coloque alimentos calientes dentro del aparato.
- Las puertas se abren frecuentemente o se mantienen abiertas durante largos períodos. >>> El aire caliente que se mueve

adentro hará que el aparato funcione más tiempo. No abra las puertas con demasiada frecuencia.

- La puerta del congelador o del frigorífico puede estar abierta. >>> Compruebe que las puertas estén completamente cerradas.
- Es posible que el aparato esté configurado a una temperatura demasiado baja. >>> Ajuste la temperatura a un grado más alto y espere a que el aparato alcance la temperatura ajustada.
- La arandela de la puerta del frigorífico o el congelador puede estar sucia, desgastada, rota o mal instalada. >>> Limpie o cambie el sello. Una arandela de la puerta dañada / agrietada hará que el aparato funcione durante períodos más largos para preservar la temperatura actual.

La temperatura del congelador es muy baja, pero la temperatura del frigorífico es adecuada.

- La temperatura del compartimento congelador se establece a un grado muy bajo. >>> Ajuste la temperatura del compartimento del congelador a un grado más alto y vuelva a intentarlo.

La temperatura del enfriador es muy baja, pero la temperatura del congelador es adecuada.

- La temperatura del compartimento congelador se establece a un grado muy bajo. >>> Ajuste la temperatura del compartimento frigorífico a un grado más alto y verifique nuevamente.

Los alimentos guardados en los cajones del compartimento de refrigeración se congelan.

- La temperatura del compartimento congelador se establece a un grado muy bajo. >>> Ajuste la temperatura del compartimento frigorífico a un grado más alto y verifique nuevamente.

La temperatura en el frigorífico o el congelador es demasiado alta.

- La temperatura del compartimento del congelador se establece a un grado muy bajo. >>> El valor de la temperatura del

compartimento de refrigeración tiene un efecto sobre la temperatura en el compartimento congelador. Espere hasta que la temperatura de las partes pertinentes alcancen el nivel suficiente cambiando la temperatura del frigorífico o del congelador.

- Las puertas se abren frecuentemente o se mantienen abiertas durante largos períodos. >>> No abra las puertas con demasiada frecuencia.
- La puerta puede estar abierta. >>> Cierre la puerta por completo.
- El aparato puede haber sido conectado recientemente o un nuevo alimento fue colocado en su interior. >>> Esto es normal. El aparato tardará más en alcanzar la temperatura fijada fue enchufado recientemente o si un nuevo alimento se coloca en el interior.
- Grandes cantidades de alimentos calientes pueden haber sido colocados recientemente en el aparato. >>> No coloque alimentos calientes dentro del aparato.

Ruido o agitación.

- La superficie no es plana ni duradera >>> Si el aparato tiembla cuando se mueve lentamente, ajuste los soportes para equilibrar el producto. También asegúrese de que el suelo sea lo suficientemente resistente para soportar el aparato.
- Cualquier artículo colocado sobre el aparato pueden causar ruido. >>> Retire todos los objetos colocados sobre el aparato.
- El aparato está haciendo ruido de flujo de líquido, rociado, etc.
- Los principios de funcionamiento del aparato implican flujos de líquido y gas. >>> Esto es normal y no indica mal funcionamiento.

Hay sonido del viento que sopla procedente del aparato.

- El aparato utiliza un ventilador para el proceso de enfriamiento. Esto es normal y no indica mal funcionamiento.

Hay condensación en las paredes internas del aparato.

- El clima caliente o húmedo aumentarán la formación de hielo y de condensación. Esto es normal y no indica mal funcionamiento.
- Las puertas se abren frecuentemente o se mantienen abiertas durante largos períodos. >>> No abra las puertas con demasiada frecuencia, si están abiertas, ciérrelas.
- La puerta puede estar abierta. >>> Cierre la puerta por completo.

Hay condensación en el exterior del aparato o entre las puertas.

- Puede ser por que el clima ambiental sea húmedo, esto es bastante normal en ambientes húmedos. >>> La condensación se disipará cuando se reduzca la humedad.

El interior huele mal.

- El aparato es limpiado regularmente. >>> Limpie el interior con regularidad utilizando una esponja, agua caliente y agua carbonatada.
- Ciertos envases y materiales de embalaje pueden causar olor. >>> Utilice envases y materiales de embalaje que sean exentos de olores.
- Los alimentos se colocan en envases no sellado. >>> Mantenga los alimentos en envases sellados. Los microorganismos pueden propagarse fuera de los alimentos sin sellar y causar mal olor.
- Retire todos los alimentos caducados o en mal estado del aparato.

La puerta no se cierra.

- Los paquetes de alimentos pueden estar bloqueando la puerta. >>> Cambie de lugar los elementos que bloquean las puertas.
- El aparato no está en posición vertical sobre la base. >>> Ajuste los soportes para equilibrar el aparato.

- La superficie no es plana ni duradera >>> Asegúrese de que la superficie sea plana y lo suficientemente duradera para soportar el producto.

El cajón de verduras está atascado.

- Los alimentos pueden estar en contacto con la parte superior del cajón. >>> Reorganice los alimentos en el cajón.

Temperatura en la superficie del producto.

- Se pueden observar altas temperaturas entre las dos puertas, en los paneles laterales y en la parrilla trasera mientras el aparato está en funcionamiento. Esto es normal y no requiere servicio.

El ventilador sigue funcionando cuando la puerta está abierta.

- El ventilador puede seguir funcionando cuando la puerta del congelador está abierta.

ES



ADVERTENCIA: Si el problema persiste después de seguir las instrucciones de esta sección, póngase en contacto con su vendedor o un Servicio Autorizado. No trate de reparar el aparato. Esto es normal.

DESCARGO DE RESPONSABILIDAD / ADVERTENCIA

Algunas averías (simples) pueden ser manejadas adecuadamente por el usuario final sin que surja ningún problema de seguridad o uso inseguro, siempre que se realicen dentro de los límites y de acuerdo con las siguientes instrucciones (véase la sección "Autorreparación").

Por lo tanto, a menos que se autorice lo contrario en la sección "Autorreparación", las reparaciones deberán dirigirse a reparadores profesionales registrados para evitar problemas de seguridad. Un reparador profesional registrado es aquel al que el fabricante ha concedido acceso a las instrucciones y la lista de piezas de repuesto de este aparato de acuerdo con los métodos descritos en los actos legislativos de conformidad con la Directiva 2009/125/CE.

Sin embargo, solo el agente de servicio (es decir, reparadores profesionales autorizados) al que pueda comunicarse a través del número de teléfono proporcionado en el manual del usuario/tarjeta de garantía oa través de su distribuidor autorizado puede brindarle servicio bajo los términos de la garantía. Por lo tanto, tenga en cuenta que las reparaciones realizadas por reparadores profesionales (que no están autorizados por Grundig) anularán la garantía.

Auto-reparación

El usuario final puede realizar la reparación por sí mismo con respecto a las siguientes piezas de repuesto: manijas de las puertas, bisagras de las puertas, bandejas, cestas y juntas de las puertas (también está disponible una lista actualizada support.grundig.com a partir del 1 de marzo de 2021).

Además, para garantizar la seguridad del aparato y evitar el riesgo de lesiones graves, la autorreparación mencionada debe realizarse siguiendo las instrucciones del manual de usuario para autorreparación o que están disponibles en support.grundig.com. Por su seguridad, desenchufe el aparato antes de intentar cualquier autoreparación.

Los intentos de reparación por parte de los usuarios finales de piezas no incluidas en dicha lista y/o que no sigan las instrucciones de los manuales de usuario para la auto-reparación o que están disponibles en support.grundig.com, podrían dar lugar a problemas de seguridad no imputables a Grundig, y anularán la garantía del aparato. Por lo tanto, se recomienda encarecidamente a los usuarios finales que se abstengan de intentar llevar a cabo reparaciones que queden fuera de la mencionada lista de piezas de repuesto, poniéndose en contacto en tales casos con reparadores profesionales autorizados o con reparadores profe-

sionales registrados. Por el contrario, tales intentos por parte de los usuarios finales pueden causar problemas de seguridad y dañar el aparato y, posteriormente, provocar un incendio, una inundación, una electrocución y lesiones personales graves.

A modo de ejemplo, pero no limitado a, las siguientes reparaciones deben dirigirse a reparadores profesionales autorizados o reparadores profesionales registrados: compresor, circuito de refrigeración, placa principal, placa inverter, placa de visualización, etc.

El fabricante/vendedor no se hace responsable en ningún caso en el que los usuarios finales no cumplan con lo anterior.

La disponibilidad de repuestos del frigorífico que compró es de 10 años. Durante este período, los repuestos originales estarán disponibles para operar el frigorífico correctamente.

La duración mínima de la garantía del refrigerador que ha comprado es de 24 meses. Este aparato está equipado con una fuente de iluminación de clase energética "G".

La fuente de iluminación de este aparato solo debe ser reemplazada por un reparador profesional.

Ver también

2 CLAUSE DE NON-RESPONSABILITÉ /
AVERTISSEMENT [] 54]

Proszę najpierw przeczytać tę instrukcję obsługi!

Drogi kliencie,

Przed użyciem produktu dokładnie przeczytaj instrukcję obsługi.

Dziękujemy za wybranie produktu Grundig. Chcielibyśmy, abyś mógł wykorzystać optymalną wydajność tego wysokiej jakości produktu, który został wykonany przy użyciu najnowocześniejszej technologii. Aby to zrobić, przeczytaj uważnie niniejszą instrukcję i wszelkie inne dokumenty dostarczone z produktem, przed jego użyciem i zachowaj je.

Przeznaczaj wszystkie informacje i ostrzeżenia zawarte w instrukcji obsługi. W ten sposób zabezpieczysz siebie i swój produkt przed zagrożeniami, które mogą wystąpić.

Zachowaj instrukcję obsługi. W przypadku sprzedaży produktu należy dołączyć do niego instrukcję obsługi.

W tej instrukcji użytkownika są używane następujące symbole:



Zagrożenie, które może spowodować śmierć lub obrażenia.



Ważne informacje lub przydatne wskazówki dotyczące obsługi.







Przeczytaj instrukcję obsługi.



Materiał łatwopalny, ostrzeżenie przed zagrożeniem pożarowym.

UWAGA Zagrożenie, które może spowodować uszkodzenie produktu lub jego otoczenia

 SUPPLIER'S NAME 	 MODEL IDENTIFIER → (*) 	Informacje o modelu przechowywane w bazie danych produktu można uzyskać na następującej stronie internetowej, wyszukując identyfikator modelu (*) znajdujący się na etykiecie energetycznej. https://eprel.ec.europa.eu/
---	--	---

1	Instrukcje bezpieczeństwa	86
1.1	Przeznaczenie	86
1.2	Bezpieczeństwo dzieci, osób wymagających szczególnego traktowania i zwierząt domowych	86
1.3	Bezpieczeństwo elektryczne	87
1.4	Bezpieczeństwo obsługi	88
1.5	Bezpieczeństwo instalacji	88
1.6	Bezpieczeństwo operacyjne	90
1.7	Bezpieczeństwo przechowywania żywności	92
1.8	Bezpieczeństwo konserwacji i czyszczenia	93
2	Instrukcje dotyczące ochrony środowiska	93
2.1	Zgodność z dyrektywą WEEE dotyczącą usuwania odpadów	93
3	Lodówka	94
4	Instalacja	95
4.1	Odpowiednie miejsce instalacji....	95
4.2	Podłączenie elektryczne	95
4.3	Podkładanie plastikowych klinów	96
4.4	Regulacja nóżek	96
4.5	Ostrzeżenie o gorącej powierzchni	96
5	Przygotowanie	96
5.1	Co robić, aby zaoszczędzić energię	96
5.2	Pierwsze użycie	97
5.3	Klasa klimatyczna i definicje	97
6	Obsługa urządzenia	97
7	Korzystanie z urządzenia	99
7.1	Panel sterowania urządzenia	99
7.2	Przechowywanie żywności w komorze chłodziarki	101
7.3	Obszar lodówki do przechowywania nabiału	104
7.4	Odwracanie strony otwierania drzwi	104
7.5	Alarm otwarcia drzwi	104
7.6	Składana półka na wino	104
7.7	Wymiana lampki oświetlenia	104
7.8	AeroFresh	104

8	Konserwacja i utrzymywanie w czystości	105
9	Rozwiązywanie problemów	106

1 Instrukcje bezpieczeństwa

Ten rozdział zawiera instrukcje dotyczące bezpieczeństwa służące unikaniu obrażeń i szkód materialnych.

Nasza firma nie ponosi odpowiedzialności za szkody, które mogą wystąpić w przypadku nieprzestrzegania instrukcji.

Czynności związane z instalacją i naprawą powinny być zawsze wykonywane przez autoryzowany serwis.

Używaj tylko oryginalnych części zamiennych i akcesoriów.

Oryginalne części zamienne będą dostępne przez 10 lat od daty zakupu produktu.

Nie należy naprawić lub wymienić żadnych części produktu, chyba że jest to jasno określone w instrukcji obsługi.

Nie wolno modyfikować produktu.

1.1 Przeznaczenie

Ten produkt nie nadaje się do użytku komercyjnego i nie powinien być używany w sposób inny niż zgodny z przeznaczeniem.

To urządzenie przeznaczone jest do użytku domowego lub w podobnych miejscach.

Na przykład w:

- kuchniach pracowników sklepów, biur i innych środowisk pracy,
- gospodarstwach rolnych,
- hotelach, motelach lub innych obiektach wypoczynkowych, z których korzystają klienci,
- Schroniskach i podobnych miejscach,
- firmach cateringowych i do podobnych zastosowań innych niż handel detaliczny.

Produktu nie należy używać w otwartych lub zamkniętych środowiskach zewnętrznych, takich jak statki, balkony lub tarasy.

Narażenie produktu na deszcz, śnieg, bezpośrednie promienie słoneczne i wiatr spowoduje zagrożenie pożarem.

1.2 Bezpieczeństwo dzieci, osób wymagających szczególnego traktowania i zwierząt domowych



- Urządzenie to może być używane przez dzieci w wieku lat 8 lub starsze, osoby z obniżoną sprawnością fizyczną, zmysłową lub umysłową, osoby z brakiem doświadczenia i wiedzy, jeśli są one nadzorowane lub gdy je poinstruowano jak

korzystać z tego urządzenia w bezpieczny sposób, i gdy zdają sobie sprawę z istniejących niebezpieczeństw.

- Dzieci w wieku od 3 do 8 lat mogą wkładać jedzenia do lodówki i go z niej wyjmować.
- Produkty elektryczne są niebezpieczne dla dzieci i zwierząt domowych. Dzieci i zwierzęta nie mogą bawić się, wspinać ani wchodzić do produktu.
- Czyszczenie i konserwacja nie powinny być wykonywane przez dzieci, chyba że są pod nadzorem.
- Wszystkie opakowania należy przechowywać poza zasięgiem dzieci. Ryzyko obrażeń i uduszenia!

Przed zutylizowaniem starych produktów, które nie będą już używane:

1. Odłącz przewód zasilający od gniazdka sieciowego.
2. Odetnij przewód zasilający i usuń go z urządzenia wraz z wtyczką.
3. Nie wyjmuj stojaków i szuflad z produktu, aby uniemożliwić dzieciom dostanie się do wnętrza urządzenia.
4. Zdejmij drzwi.
5. Produkt należy ustawić tak, aby się nie przewrócił.

6. Nie wolno pozwalać dzieciom na zabawę uszkodzonym produktem.
- Nie należy pozbywać się urządzenia poprzez jego spalenie. Ryzyko wybuchu.
 - Jeśli w drzwiach produktu znajduje się zamek, trzymaj klucz w miejscu niedostępnym dla dzieci.



1.3 Bezpieczeństwo elektryczne

- Produktu nie wolno podłączać do gniazdka podczas instalacji, konserwacji, czyszczenia, naprawy i transportu.
- Jeżeli kabel zasilania jest uszkodzony, powinien zostać wymieniony przez autoryzowany serwis, aby uniknąć ryzyka, które może wystąpić.
- Nie chowaj przewodu zasilania pod produktem lub z tyłu produktu. Nie kładź ciężkich przedmiotów na przewodzie zasilania. Przewód zasilania nie powinien być skręcony, zgnieciony i nie powinien stykać się z żadnym źródłem ciepła.
- Nie używaj przedłużacza, wtyczki lub adaptera do obsługi produktu.
- Przenośne gniazda wielofunkcyjne lub przenośne zasilacze mogą się przegrzać i spowo-

dować pożar. Dlatego nie należy umieszczać wtyczki z tyłu ani w pobliżu produktu.

- Wtyczka powinna być łatwo dostępna. Jeśli nie jest to możliwe, w instalacji elektrycznej powinien być dostępny mechanizm spełniający przepisy elektryczne i odłączający wszystkie zaciski od sieci (bezpiecznik, wyłącznik, wyłącznik główny itp.).
- Nie wolno dotykać wtyczki mokrymi rękami!
- Podczas odłączania urządzenia nie trzymaj przewodu zasilającego, tylko wtyczkę.



1.4 Bezpieczeństwo obsługi

- Ten produkt jest ciężki, nie podnoś go sam.
- Podczas podnoszenia produktu nie należy trzymać go za drzwi.
- Uważaj, aby nie uszkodzić układu chłodzenia i rur podczas przenoszenia produktu. Nie używaj produktu, jeśli rury są uszkodzone. Skontaktuj się z autoryzowanym serwisem.



1.5 Bezpieczeństwo instalacji

- Skontaktuj się z autoryzowanym serwisem w sprawie instalacji produktu. Aby przygo-

tować produkt do instalacji, zapoznaj się z informacjami w instrukcji użytkownika i upewnij się, że zasilanie elektryczne i wodne są zgodne z wymaganiami. Jeśli nie, wezwij elektryka i hydraulika, aby dostosowali zasilanie do wymagań. W przeciwnym razie może dojść do porażenia prądem, pożaru, problemów z urządzeniem lub obrażeń ciała.

- Przed zainstalowaniem sprawdź, czy produkt nie jest uszkodzony. Nie podłączaj urządzenia, jeśli jest uszkodzone.
- Umieść produkt na równej i twardej powierzchni, a następnie wyważ go za pomocą regulowanych nóżek. W przeciwnym razie lodówka może się przewrócić i spowodować obrażenia.
- Produkt powinien być zainstalowany w suchym i wentylowanym otoczeniu. Nie trzymaj pod produktem dywanów, chodników lub podobnych wykładzin podłogowych. Może to spowodować ryzyko pożaru w wyniku nieodpowiedniej wentylacji!
- Nie blokuj ani nie zakrywaj otworów wentylacyjnych. W przeciwnym razie zużycie ener-

gii może wzrosnąć i może dojść do uszkodzenia produktu.

- Produktu nie wolno podłączać do systemów zasilania, takich jak zasilanie energią słoneczną. W przeciwnym razie urządzenie może ulec uszkodzeniu z powodu nagłej zmiany napięcia!
- Im więcej czynnika chłodniczego znajduje się w lodówce, tym większa powinna być jej przestrzeń instalacyjna. W bardzo małych pomieszczeniach może wystąpić łatwopalna mieszanina gaz-powietrze w przypadku wycieku gazu w układzie chłodzenia. Wymagane jest co najmniej 1 m³ objętości na każde 8 gramów czynnika chłodniczego. Ilość czynnika chłodniczego dostępnego w twoim produkcie jest określona na etykiecie typu.
- Miejsce instalacji produktu nie może być wystawione na bezpośrednie działanie promieni słonecznych i nie może znajdować się w pobliżu źródła ciepła, takiego jak piece, grzejniki itp. Jeżeli nie można zapobiec instalacji produktu w pobliżu źródła ciepła, należy użyć odpowiedniej płyty izolacyjnej, a

minimalna odległość od źródła ciepła powinna być taka, jak określono poniżej.

- Co najmniej 30 cm od źródeł ciepła, takich jak piece, jednostki grzejące, grzejniki itp.,
- I co najmniej 5 cm od piekarników elektrycznych.
- Produkt ma klasę ochrony I.
- Podłącz urządzenie do uzziemionego gniazda, które jest zgodne z wartościami napięcia, prądu i częstotliwości określonymi na etykiecie. Gniazdko musi być wyposażone w bezpiecznik 10 A – 16 A. Nasza firma nie ponosi żadnej odpowiedzialności za jakiegokolwiek szkody wynikłe z używania bez uziemienia i zasilania odpowiadającym przepisom krajowym.
- Podczas instalacji kabel zasilania produktu musi być odłączony. W przeciwnym razie może wystąpić ryzyko porażenia prądem i obrażeń!
- Nie podłączaj produktu do luźnych, połamanych, brudnych, otłuszczonych gniazdek lub gniazdek, które wysunęły się z puszek lub gniazdek z ryzykiem kontaktu z wodą.
- Umieść przewód zasilania i węże (jeśli są dostępne) produktu tak, aby nie stwarzały ryzyka potknięcia się.

- Przenikanie wilgoci do części pod napięciem lub do przewodu zasilającego może spowodować zwarcie. Dlatego nie należy używać produktu w wilgotnym otoczeniu lub w miejscach, w których może chlapnąć woda (np. garaż, pralnia itp.) Jeśli lodówka jest mokra od wody, odłącz ją od zasilania i skontaktuj się z autoryzowanym serwisem.
- Nie podłączaj lodówki do urządzeń oszczędzających energię. Systemy te są szkodliwe dla produktu
- Niebezpieczeństwo upadku i obrażeń! Czynniki chłodnicze, który rozpyla się w przypadku przebicia rur gazowych, przedłużeń rur lub powłok górnych powierzchni, może powodować podrażnienie skóry i obrażenia oczu.
- Nie należy umieszczać i obsługiwać urządzeń elektrycznych w lodówkach/zamrażarkach, chyba że zaleci to producent.
- Należy uważać, aby uniknąć pochwycenia ręki lub innej części ciała przez ruchome części wewnątrz produktu. Uważaj, aby nie zakleszczyć palców między lodówką a drzwiami. Zachowaj ostrożność podczas otwierania lub zamykania drzwi, jeśli w pobliżu są dzieci.



1.6 Bezpieczeństwo operacyjne

- Nie używaj rozpuszczalników chemicznych na produkcie. Materiały te wiążą się z ryzykiem wybuchu.
- W przypadku awarii produktu należy odłączyć go od zasilania i nie uruchamiać, dopóki nie zostanie naprawiony przez autoryzowany serwis. Grozi to porażeniem prądem elektrycznym.
- Nie umieszczaj źródeł ognia (np. świec, papierosów itp.) na produkcie lub w jego pobliżu.
- Nie wchodź na produkt. Niebezpieczeństwo upadku i obrażeń!
- Nie dotykaj wewnętrznych ścian, metalowych części zamrażarki ani potraw przechowywanych w zamrażalniku mokrymi rękami. Grozi to odmrożeniem!
- Nie umieszczaj puszek z napojem lub puszek i butelek zawierających płyny, które mogą zostać zamrożone w komorze zamrażarki. Puszki lub butelki

- mogą wybuchnąć. Grozi to obrażeniami i szkodami materialnymi!
- Nie należy używać ani umieszczać materiałów wrażliwych na temperaturę, takich jak łatwopalne spraye, łatwopalne przedmioty, suchy lód lub inne środki chemiczne w pobliżu lodówki. Grozi to pożarem i wybuchem!
 - Nie przechowuj w tym urządzeniu materiałów wybuchowych, takich jak puszki z aerozolem, który zawiera łatwopalny materiał.
 - Nie umieszczaj na produkcie puszek zawierających płyny. Rozpryskiwanie wody na część elektryczną grozi porażenia prądem lub pożarem.
 - Produkt nie jest przeznaczony do przechowywania i chłodzenia leków, osocza krwi, preparatów laboratoryjnych lub podobnych materiałów i produktów, które podlegają dyrektywie w sprawie produktów medycznych.
 - Jeśli produkt będzie używany niezgodnie z jego przeznaczeniem, może spowodować uszkodzenie lub pogorszenie jakości produktów przechowywanych w środku.
 - Jeśli Twoja lodówka jest wyposażona w niebieskie światło, nie patrz na to światło za pomocą urządzeń optycznych. Nie patrz przez długi czas bezpośrednio w światło UV LED. Promienie ultrafioletowe mogą powodować zmęczenie oczu.
 - Nie napełniaj produktu większą ilością żywności niż jego pojemność. Mogą wystąpić obrażenia lub szkody, jeśli zawartość lodówki wypadnie po otwarciu drzwi. Podobne problemy mogą wystąpić, gdy jakiś przedmiot zostanie umieszczony nad produktem.
 - Aby zapobiec obrażeniom, upewnij się, że usunąłeś lód lub wodę, które mogą spaść na podłogę.
 - Zmień położenie stojaków/stojaków na butelki na drzwiach lodówki, gdy stojaki są puste. Ryzyko obrażeń!
 - Nie kładź na produkcie przedmiotów, które mogą spaść/przewrócić się. Przedmioty te mogą spaść podczas otwierania lub zamykania drzwi i powodować obrażenia i/lub szkody materialne.
 - Nie uderzaj ani nie wywieraj nadmiernego nacisku na szklane powierzchnie. Rozbite szkło może spowodować obrażenia i/lub szkody materialne.

- W układzie chłodzenia produktu znajduje się czynnik chłodniczy R600a. Typ czynnika chłodniczego stosowany w produkcie jest podany na etykiecie typu. Ten gaz jest łatwopalny. Dlatego należy uważać, aby nie uszkodzić układu chłodzenia i rur podczas obsługi produktu. W przypadku uszkodzenia rur;
 1. Nie dotykaj produktu ani przewodu zasilania.
 2. Trzymaj produkt z dala od potencjalnych źródeł ognia, które mogą spowodować jego zapalenie się.
 3. Wietrz obszar, w którym znajduje się produkt. Nie używaj wentylatora.
 4. Skontaktuj się z autoryzowanym serwisem.
 5. Jeśli produkt jest uszkodzony i zaobserwujesz wyciek gazu, trzymaj się od niego z dala. Gaz może powodować odmrożenia, jeśli zetknie się ze skórą.
- Pozostawianie otwartych drzwi przez dłuższy czas może spowodować wzrost temperatury wewnątrz urządzenia.
- Regularnie czyść dostępne systemy odwadniające w kontakcie z żywnością.
- Wyczyść zbiorniki wody, które nie były używane przez 48 godzin, oraz systemy wody zasilane z sieci, które nie były używane przez okres dłuższy niż 5 dni.
- Przechowuj surowe mięso i produkty rybne w odpowiednich przedziałach wewnątrz produktu. W ten sposób nie kapie ani nie styka się z innymi produktami spożywczymi.
- Dwugwiazdkowe komory zamrażarki służą do przechowywania wstępnie napełnionych produktów spożywczych, wytwarzania i przechowywania lodu i lodów.
- Komory jedno-, dwu- i trzygwiazdkowe nie nadają się do zamrażania świeżej żywności.
- Jeśli produkt chłodzący pozostał pusty przez dłuższy czas, wyłącz go, rozmróz, wyczyść i osusz, aby zabezpieczyć obudowę urządzenia.

1.7 **Bezpieczeństwo przechowywania żywności**

Aby uniknąć zepsucia się żywności, należy zwracać uwagę na następujące ostrzeżenia:



1.8 Bezpieczeństwo konserwacji i czyszczenia

- Nie ciągnij za uchwyt drzwi, jeśli chcesz przenieść produkt w celu czyszczenia. Uchwyt może spowodować obrażenia, jeśli zostanie pociągnięty zbyt mocno.
- Nie należy czyścić produktu przez spryskiwanie lub polewanie wodą produktu i wnętrza produktu. Grozi to porażeniem prądem elektrycznym lub pożarem.
- Podczas czyszczenia produktu nie należy używać ostrych i ściernych narzędzi ani środków czyszczących do użytku domowego, detergentów, gazu, benzyny, rozcieńczalników, alkoholu, lakieru i podobnych substancji. Wewnątrz produktu używaj wyłącznie środków czyszczących i konserwujących, które nie są szkodliwe dla żywności.
- Do czyszczenia lodówki i topienia lodu w jej wnętrzu nie wolno używać pary ani parowanych materiałów czyszczących. Para przenika do obszarów pod napięciem w lodówce i powoduje zwarcie lub porażenie.
- Uważaj, aby nie dopuścić do przedostania się wody do obwodów elektronicznych lub oświetlenia produktu.
- Za pomocą czystej, suchej szmatki wytrzyj kurz lub ciała obce z końcówek wtyczek. Do czyszczenia wtyczki nie używaj mokrej lub wilgotnej szmatki. W przeciwnym razie może wystąpić ryzyko pożaru lub porażenia prądem.

PL

2 Instrukcje dotyczące ochrony środowiska

2.1 Zgodność z dyrektywą WEEE dotyczącą usuwania odpadów



Ten produkt jest zgodny z Dyrektywą UE WEEE (2012/19/UE). Produkt nosi symbol klasyfikacyjny dla zużytego sprzętu elektrycznego i elektronicznego (WEEE).

Oznaczenie to wskazuje, że produkt ten nie powinien być utylizowany z innymi odpadkami domowymi po zakończeniu eksplo-

atacji. Zużyte urządzenie należy zwrócić do oficjalnego punktu skupu i recyklingu urządzeń elektrycznych i elektronicznych. Aby znaleźć te punkty skupu, skontaktuj się z lokalnymi władzami lub sprzedawcą, u którego zakupiono urządzenie. Każde gospodarstwo domowe odgrywa ważną rolę w odzyskiwaniu i recyklingu starego urządzenia. Właściwa utylizacja zużytego urządzenia pomaga zapobiegać potencjalnym negatywnym konsekwencjom dla środowiska i zdrowia ludzi.

Zgodność z dyrektywą RoHS

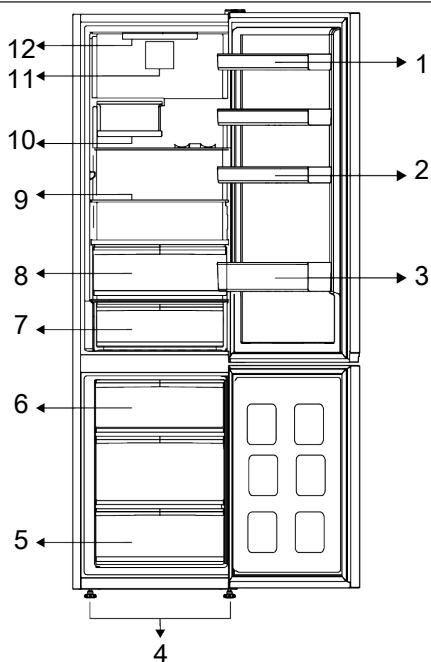
Produkt jest zgodny z Dyrektywą UE RoHS (2011/65/UE). Nie zawiera on szkodliwych ani zakazanych materiałów wymienionych w dyrektywie.



Informacje o opakowaniu

Opakowanie urządzenia jest wytwarzane z materiałów nadających się do recyklingu zgodnie z naszymi krajowymi przepisami ochrony środowiska. Materiałów opakowaniowych nie należy wyrzucać wraz z normalnymi odpadami domowymi itp. Należy je dostarczyć do punktów odbioru materiałów opakowaniowych wyznaczonych przez władze lokalne.

3 Lodówka



- | | |
|--------------------------------------|--|
| 1 * Regulowane półki na drzwiach | 2 * Pojemnik na jajka |
| 3 * Półka na butelki | 4 * Regulowane przednie nóżki |
| 5 * Komora zamrażarki | 6 * Pojemnik na lód |
| 7 * Szuflada przechowywania w zimnie | 8 * Pojemnik na świeże owoce i warzywa |
| 9 * Regulowane półki | 10 * Składany pojemnik na wino |
| 11 * Wentylator | 12 * Lampka oświetleniowa |

***Opcjonalne:** Rysunki w niniejszej Instrukcja instrukcji są schematyczne i mogą nie pasować dokładnie do konkretnego urządzenia.

Jeśli posiadany produkt nie zawiera odpowiednich części, informacje dotyczące innych modeli.

4 Instalacja



Najpierw należy przeczytać rozdział „Instrukcje bezpieczeństwa”

4.1 Odpowiednie miejsce instalacji

Skontaktuj się z autoryzowanym serwisem w sprawie instalacji produktu. Aby przygotować produkt do instalacji, zapoznaj się z informacjami w instrukcji użytkownika i upewnij się, że zasilanie elektryczne i wodne są zgodne z wymaganiami. Jeśli nie, wezwij elektryka i hydraulika, aby dostosowali zasilanie do wymagań.



OSTRZEŻENIE:

Producent nie bierze odpowiedzialności za jakiegokolwiek uszkodzenia spowodowane przez prace wykonane przez nieuprawnione osoby.



OSTRZEŻENIE:

Podczas instalacji kabel zasilania produktu musi być odłączony. Niespełnienie tego warunku może doprowadzić do śmierci lub poważnych obrażeń!



OSTRZEŻENIE:

Jeśli otwór drzwiowy jest za wąski i produkt się nie mieści, zdejmij drzwi i obróć produkt na bok, a jeśli i to nie pomoże, skontaktuj się z autoryzowanym serwisem.

- Produkt należy umieścić na płaskiej powierzchni, aby uniknąć wibracji.
- Produkt należy umieścić w odległości przynajmniej 30 cm od grzejnika, kuchni i podobnych źródeł ciepła i przynajmniej 5 cm od piekarników elektrycznych.
- Produktu nie należy narażać na działanie bezpośredniego światła słonecznego ani trzymać go w wilgotnym otoczeniu.

- Produkt wymaga odpowiedniej cyrkulacji powietrza, aby mógł działać skutecznie. Jeśli produkt zostanie umieszczony we wnęce, pamiętaj o pozostawieniu co najmniej 5 cm odstępu między produktem a sufitem, ścianą tylną i ścianami bocznymi.
- Sprawdź, czy element zabezpieczający tylną ścianę znajduje się na swoim miejscu (jeśli został dostarczany z produktem).
- Jeśli element nie jest dostępny lub został zgubiony, lub upadł, ustaw produkt w taki sposób, aby pozostawić przynajmniej 5 cm odstępu między przestrzenią za produktem a ścianami. Odstęp z tyłu jest ważny dla efektywnego działania produktu.

PL

4.2 Podłączenie elektryczne



Do połączeń elektrycznych nie należy używać przedłużaczy ani listew zasilających.



Uszkodzony kabel zasilania musi zostać wymieniony przez autoryzowany serwis.



W razie umieszczenia dwóch chłodziarek obok siebie należy zostawić między nimi przynajmniej 4 cm.

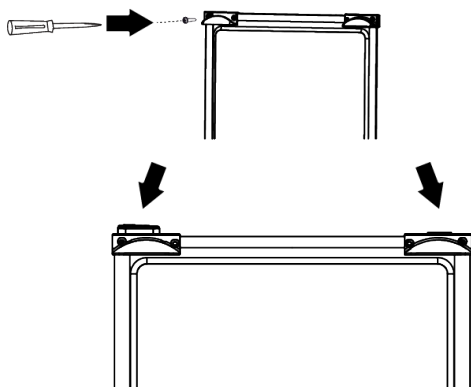
- Nasza firma nie ponosi żadnej odpowiedzialności za jakiegokolwiek szkody wynikłe z używania bez połączenia uziemienia i zasilania odpowiadających przepisom krajowym.
- Po instalacji wtyk zasilania powinien być łatwo dostępny.

- Nie należy używać rozgałęźników z przedłużaczem lub bez niego między gniazdem elektrycznym a lodówką.

4.3 Podkładanie plastikowych klinów

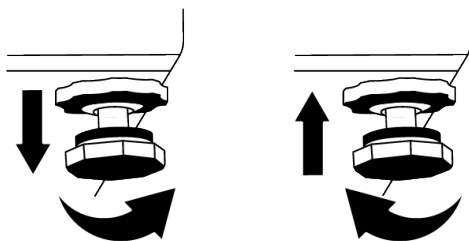
Za pomocą plastikowych klinów należy ustawić odpowiedni odstęp między produktem i ścianą w celu zapewnienia cyrkulacji powietrza.

1. Aby zamocować kliny, odkręć wkręty z produktu i użyj wkrętów dostarczanych wraz z klinami.
2. Zamocuj 2 plastikowe kliny w osłonie wentylacyjnej jak pokazano na rysunku.



4.4 Regulacja nóżek

Jeśli produkt nie znajduje się w równowadze, dostosuj przednie regulowane nóżki, obracając je w prawo lub w lewo.



4.5 Ostrzeżenie o gorącej powierzchni

Ściany boczne produktu są wyposażone w chłodniejsze rury, aby usprawnić system chłodzenia. Płyn pod wysokim ciśnieniem może przepływać przez te powierzchnie i je nagrzewać. Jest to zjawisko normalne i nie wymaga żadnej obsługi technicznej. Zachować ostrożność podczas kontaktu z tymi obszarami.

5 Przygotowanie



Najpierw należy przeczytać rozdział „Instrukcje bezpieczeństwa”

5.1 Co robić, aby zaoszczędzić energię



Podłączenie produktu do elektrycznych układów oszczędzania energii jest szkodliwe, ponieważ może uszkodzić produkt.

- Lodówka nie jest przeznaczona do użytku jako urządzenie do zabudowy.
- Nie wolno pozostawiać otwartych drzwi lodówki przez długi czas.
- Do lodówki nie wolno wkładać gorącej żywności ani napojów.


- Nie wolno przepelniać lodówki – blokanie wewnętrznego przepływu powietrza zmniejsza wydajność chłodzenia.
- Aby załadować maksymalną ilość żywności do komory zamrażarki lodówki, należy wyjąć górne szuflady, a żywność umieścić na półkach z drutu/szkła. Informacje o objętości netto i zużyciu energii podane na etykiecie energetycznej lodówki zostały przetestowane poprzez wyjęcie górnych szuflad w komorze lodówki i wiaderka na lód, które można łatwo wyjąć ręcznie.
- Do przechowywania żywności zdecydowanie zaleca się korzystanie z dolnej szuflady.


- W zależności od funkcji produktu rozmrażanie zamrożonej żywności w komorze lodówki zapewni oszczędność energii i zachowanie jakości żywności.
- Należy się upewnić, że żywność nie styka się z opisanym poniżej czujnikiem temperatury komory lodówki.
- Aby zapewnić oszczędność energii i przechowywanie żywności w lepszych warunkach, należy ją przechowywać w szufladach wewnątrz komory lodówki.
- Opakowania żywności nie powinny dotykać czujnika temperatury znajdującym się w komorze się w zamrażalniku.
- Jeśli będą dotykać czujnika, zużycie energii urządzenia może wzrosnąć.


5.2 Pierwsze użycie

Przed użyciem lodówki należy się upewnić, że zostały wykonane niezbędne przygotowania podane w rozdziałach „Instrukcje dotyczące bezpieczeństwa i środowiska” oraz „Instalacja”.

- Włączone urządzenie bez żywności wewnątrz należy pozostawić na 6 godzin i nie otwierać drzwi, o ile nie jest to bezwzględnie konieczne.
- Zmiana temperatury spowodowana otwarciem i zamknięciem drzwi podczas korzystania z produktu może zwykle prowadzić do skraplania się pary wodnej na półkach drzwiowych i wewnętrznych i szklanych opakowaniach.

 Będzie słycać dźwięk włączenia sprężarki. Jest to normalne zjawisko, że urządzenie wydaje dźwięki nawet wtedy, gdy sprężarka nie pracuje, ponieważ płyn i gaz mogą być sprężane w układzie chłodzenia.

 Normalnym zjawiskiem jest nagrzewanie się przednich krawędzi lodówki. Te obszary nagzewają się celowo, aby zapobiec kondensacji.


 W niektórych modelach panel wskaźników wyłącza się automatycznie po 1 minucie od zamknięcia drzwi. Panel włączy się ponownie po otwarciu drzwi lub naciśnięciu dowolnego przycisku.

5.3 Klasa klimatyczna i definicje

Klasa klimatyczna jest podana na tabliczce znamionowej urządzenia. Jedną z poniższych informacji dotyczy Twojego urządzenia, zgodnie z klasą klimatyczną.

- **SN:** Długoterminowy klimat umiarkowany: Urządzenie to przeznaczone jest do stosowania przy temperaturze otoczenia od 10°C do 32°C.
- **N:** Klimat umiarkowany: Urządzenie to przeznaczone jest do stosowania przy temperaturze otoczenia od 16°C do 32°C.
- **ST:** Klimat subtropikalny: Urządzenie to przeznaczone jest do stosowania przy temperaturze otoczenia od 16°C do 38°C.
- **Tel.:** Klimat tropikalny Urządzenie to przeznaczone jest do stosowania przy temperaturze otoczenia od 16°C do 43°C.

6 Obsługa urządzenia

 Najpierw należy przeczytać rozdział „Instrukcje bezpieczeństwa”

- W celu przyspieszenia rozmrażania nie należy używać żadnych narzędzi mechanicznych ani innych narzędzi niż zalecane przez producenta.
- Nie używać części lodówki, takich jak drzwiczki lub szuflady, jako podpory lub stopnia. Może to spowodować przewrócenie się produktu lub uszkodzenie jego elementów.
- Produkt powinien być używany jedynie do przechowywania żywności.

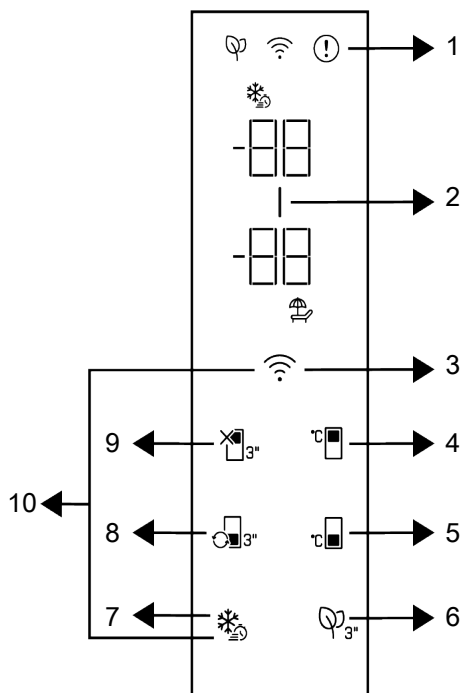
- Zakręć zawór wody, jeśli będziesz poza domem (np. na wakacjach) i nie będziesz używać kostkarki ani dystrybutora wody przez dłuższy czas. W przeciwnym razie woda może zacząć wyciekać.
- Wyjmij żywność, aby zapobiec powstawaniu brzydkich zapachów.
- Poczekaj, aż lód się roztopi, wyczyść wnętrze i pozostaw do wyschnięcia, pozostaw otwarte drzwi, aby uniknąć uszkodzenia plastiku wewnętrznego korpusu.

Wstrzymanie programu

- Jeśli urządzenie nie będzie używane przez dłuższy czas, wyciągnij wtyczkę z gniazdka.

7 Korzystanie z urządzenia

7.1 Panel sterowania urządzenia



1 *Wskaźnik stanu błędu

3 *Przycisk sieci bezprzewodowej

5 *Przycisk regulacji temperatury komory zamrażarki

7 *Przycisk funkcji szybkiego zamrażania

9 *Funkcja wyłączenia komory lodówki (wakacje)

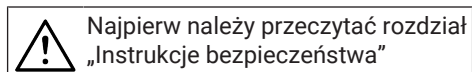
2 *Wskaźnik funkcji oszczędzania energii (wyłączenie wyświetlacza)

4 *Przycisk regulacji temperatury komory lodówki

6 *Przycisk modułu odświeżacza

8 *Przycisk zmiany funkcji komory

10 *Przycisk resetowania ustawień połączenia bezprzewodowego



Funkcje dźwiękowe i optyczne na panelu wskaźników ułatwiają korzystanie z lodówki.

***Opcjonalne:** Przedstawione funkcje są opcjonalne, mogą występować różnice w kształcie i lokalizacji funkcji dostępnych na panelu wskaźników urządzenia

1. Wskaźnik stanu błędu

Wskaźnik będzie aktywny, gdy lodówka nie może zapewnić odpowiedniego chłodzenia lub w przypadku błędu jakiegokolwiek czujnika. Na wskaźniku temperatury w komorze zamrażarki wyświetla się „E”, a na wskaźniku temperatury komory chłodniczej wyświetlane są liczby 1, 2, 3.... Liczby na wskaźniku informują autoryzowany serwis o zaistniałym błędzie. Wykrzyknik może zostać wyświetlony po włożeniu żywności do zamrażalnika lub pozostawieniu otwartych drzwi przez dłuższy czas. To nie jest usterka, ostrzeżenie zniknie po ostygnięciu potrawy lub po naciśnięciu dowolnego przycisku.

2. Wskaźnik oszczędzania energii (wyłączenie wyświetlacza)

Funkcja oszczędzania energii włącza się automatycznie, a symbol oszczędzania zapala się, gdy drzwi urządzenia nie są otwierane lub zamykane przez pewien czas. Gdy funkcja oszczędzania energii jest aktywna, wszystkie symbole na wyświetlaczu, oprócz symbolu oszczędzania energii, są wyłączone. Gdy funkcja oszczędzania energii jest aktywna, naciśnięcie dowolnego przycisku lub otwarcie drzwi spowoduje jej wyłączenie, a sygnały na wyświetlaczu powrócą do normalnego stanu. Funkcja oszczędzania energii jest funkcją aktywowaną fabrycznie i nie można jej anulować.

3. Przycisk bezprzewodowy

Przycisk ten jest używany do bezprzewodowego łączenia się z urządzeniem za pomocą aplikacji mobilnej HomeWhiz. Jeśli przycisk jest wciśnięty przez dłuższy czas (3 sekundy), symbol połączenia bezprzewodowego na wyświetlaczu/wskaźniku będzie migał powoli (w odstępach co 0,5 sekundy). Produkt łączy się z siecią domową. Po nawiązaniu połączenia bezprzewodowego z urządzeniem, symbol połączenia bezprzewodowego świeci w sposób ciągły. Możesz aktywować/dezaktywować połączenie po zakończeniu pierwszego ustawienia, naci-

skając ten klawisz. Ikonka połączenia bezprzewodowego będzie szybko migać (co 0,2 sekundy), aż do nawiązania połączenia. Gdy połączenie staje się aktywne, symbol połączenia bezprzewodowego miga w sposób ciągły. Jeśli nie można nawiązać połączenia przez długi czas, sprawdź ustawienia połączenia i zapoznaj się z częścią „Rozwiązywanie problemów” w instrukcji obsługi. Użyj aplikacji HomeWhiz do połączenia bezprzewodowego. Czynności instalacyjne są opisane w aplikacji podczas instalacji. Dostęp do aplikacji można uzyskać, odczytując kod QR dostępny na etykiecie HomeWhiz na produkcie. Aplikację można pobrać z App Store dla urządzeń z systemem IOS lub z Play Store dla urządzeń z systemem Android. Aby uzyskać szczegółowe informacje, odwiedź stronę <https://www.homewhiz.com/>.

4. Przycisk regulacji temperatury lodówki

Pozwala na ustawienie temperatury w lodówce. Naciśnięcie przycisku umożliwia ustawienie temperatury w lodówce na 8°C, 7°C, 6°C, 5°C, 4°C, 3°C, 2°C i 1°C.

5. Przycisk regulacji temperatury zamrażarki

Ustawiana jest temperatura dla zamrażalnika. Naciśnięcie przycisku umożliwia ustawienie temperatury w zamrażalniku na -18°C, 19°C, -20°C, -21°C -22°C, -23°C i -24°C.

6. Przycisk modułu odświeżacza

Naciśnij ten przycisk na 3 sekundy, aby włączyć lub wyłączyć funkcję odświeżacza. Gdy funkcja odświeżacza jest aktywna, świeci się ikona modułu odświeżacza. Gdy funkcja jest aktywna, moduł odświeżacza będzie uruchamiany okresowo.

7. Przycisk szybkiego zamrażania

Po naciśnięciu przycisku szybkiego zamrażania, symbol szybkiego zamrażania zaświeci się i funkcja szybkiego zamrażania zostanie włączona. Temperatura w komo-

rze zamrażarki jest ustawiona na -27 °C. Aby anulować tę funkcję, należy ponownie nacisnąć przycisk. Funkcja szybkiego zamrażania zostanie automatycznie anulowana po 24 godzinach. Aby zamrozić dużą ilość świeżej żywności, naciśnij przycisk szybkiego zamrażania przed umieszczeniem żywności w zamrażalniku.

8. Przycisk zmiany funkcji komory

Po naciśnięciu przycisku zmiany funkcji komory przez 3 sekundy komora zamrażarki przełącza się odpowiednio między trybem chłodzenia, wyłączenia i zamrażania. Gdy komora pracuje jako chłodziarka, temperatura w komorze jest ustawiona na 4 °C. W trybie wyłączenia wskaźnik temperatury komory będzie wyświetlał „-”.

9. Przycisk funkcyjny wyłączenia lodówki (wakacje)

Naciśnij przycisk przez 3 sekundy, aby włączyć tryb wakacji. Tryb wakacyjny jest aktywny i świeci się wakacji. Na wskaźniku

7.2 Przechowywanie żywności w komorze chłodziarki

Przechowywanie żywności w komorze chłodziarki

- Temperatury w komorze rosną w sposób widoczny, jeśli drzwi komory są często otwierane i zamykane lub przez długi czas utrzymywane w położeniu otwartym, może to spowodować skrócenie żywotności żywności i doprowadzić do jej zepsucia.
- Aby nie powodować zmian zapachu i smaku, żywność należy przechowywać w zamkniętych pojemnikach.
- Nie umieszczaj za dużo jedzenia w lodówce. Aby uzyskać lepsze i jednorodne chłodzenie, należy umieścić jedzenie oddzielnie w taki sposób, aby chłodne powietrze mogło wokół niego opływać.
- Zapewnij przepływ powietrza, pozostaw wolną przestrzeń między żywnością a wewnętrzną ścianką. W przypadku gdy jedzenie dotyka tylnej ścianki, może ono do niej przymarznąć.

temperatury w komorze chłodziarki wyświetlany jest symbol „-”, a komora chłodziarki nie wykonuje aktywnej operacji chłodzenia. Gdy ta funkcja jest włączona, nie należy przechowywać żywności w lodówce. Pozostałe komory będą nadal chłodzić zgodnie z ustawionymi wcześniej temperaturami. Naciśnij przycisk przez 3 sekundy, aby wyłączyć tę funkcję.

10. Przycisk resetowania ustawień połączenia bezprzewodowego +

Aby zresetować ustawienia połączenia bezprzewodowego, należy jednocześnie naciśnąć i przytrzymać przez 3 sekundy przyciski szybkiego zamrażania i połączenia bezprzewodowego. Wszystkie informacje zapisane wcześniej przez użytkownika zostaną usunięte z produktu, a ustawienia połączenia bezprzewodowego zostaną zresetowane/przywrócone do domyślnych ustawień fabrycznych.

- Przed umieszczeniem gotowanych gorących posiłków w lodówce, ostudź je do temperatury pokojowej. Następnie można umieścić letnią żywność na dolnych półkach lodówki. Nie umieszczaj letnich posiłków w pobliżu żywności, która może się łatwo popsuć.
- Rozmrażaj zamrożone produkty w komorze świeżej żywności. W ten sposób można schłodzić komorę na świeże jedzenie za pomocą zamrożonej żywności i zaoszczędzić energię.
- Przechowywanie w lodówce niedojrzałych owoców (mango, różne odmiany melona, papaja, banany, ananasy) może przyspieszyć proces ich dojrzewania, co nie jest zalecane, ponieważ spowoduje skrócenie czasu ich przechowywania.
- Cebulę, czosnek, imbir i inne warzywa korzeniowe należy przechowywać w ciemnym i chłodnym pomieszczeniu, a nie w lodówce.

- Jeśli zauważysz, że jedzenie w lodówce jest popsute, wyrzuć je i wyczyść akcesoria, które miały kontakt z tym jedzeniem.
- W celu szybkiego schłodzenia posiłków, takich jak zupy i gulasze, które są gotowane w dużych garnkach, można je umieścić w lodówce, rozdzielając je do osobnych, płytkich pojemników.
- Nie umieszczaj nieopakowanej żywności w pobliżu jajek.
- Owoce i warzywa przechowuj oddzielnie w grupach (np.: jabłka z jabłkami, marchew z marchewką).
- Wyjmij zielone warzywa z plastikowej torebki i umieść je w lodówce po zapakowaniu w papierowy ręcznik lub ściereczkę. W przypadku mycia tego typu żywności przed umieszczeniem jej w lodówce należy pamiętać o ich wysuszeniu.
- Można stworzyć zarówno wilgotne środowisko jak i zapewnić przepływ powietrza, utrzymując owoce i warzywa, które są podatne na suszenie, w perforowanych lub nieuszczelnionych plastikowych torebkach.
- Z wyjątkiem przypadków skrajnych warunków środowiskowych, jeśli przechowywanie produktu (w tabeli zalecanych wartości) jest szczegółowo określone, żywność zachowuje świeżość przez dłuższy czas, zarówno w komorze na świeżą żywność, jak i w komorze zamrażarki.

Przechowuj żywność w różnych miejscach zgodnie z ich właściwościami:	
Żywność	Miejsce
Jajka	Półki na drzwiach
Produkty mleczne (masło, ser)	Jeśli jest to możliwe, komora o zerowej temperaturze (na jedzenie śniadaniowe)
Owoce, warzywa i zielenina	Pojemnik na owoce i warzywa lub Komora EverFresh+ (jeśli jest dostępna)
Świeże mięso, drób, ryby, kielbasy itd., gotowane jedzenie	Jeśli jest to możliwe, komora o zerowej temperaturze (na jedzenie śniadaniowe)
Produkty gotowe do spożycia, produkty w paczkach, produkty w puszkach i produkty marynowane	Półki górne lub półka drzwiowa
Napoje, butelki, przyprawy i przekąski	Półki na drzwiach

Przechowywanie żywności w komorze zamrażarki

- Funkcję szybkiego zamrażania można włączyć na 4-6 godzin przed zamrożeniem i przyspieszyć chłodzenie.
- Przed umieszczeniem gorących posiłków w komorze zamrażarki należy je ostudzić do temperatury pokojowej.
- Żywność przeznaczoną do zamrożenia należy podzielić na porcje i zamrozić w osobnych opakowaniach.
- Zaleca się zapakowanie jedzenia przed włożeniem go do zamrażarki.
- W celu uniknięcia przekroczenia czasu przechowywania, należy zapisać datę zamrożenia, termin przydatności do spożycia i nazwę produktu na opakowaniu, zgodnie z okresem przechowywania różnych rodzajów żywności.
- Należy szybko spożyć rozmrożoną żywność. Rozmrożonej żywności nie można ponownie zamrozić chyba, że zostanie ugotowana. Nie można bezpiecznie spożywać ponownie zamrożonej żywności bez jej ugotowania po rozmrożeniu.
- Podczas zamrażania świeżych produktów, nie powinny one dotykać już zamrożonych produktów. W przeciwnym razie zamrożone produkty zostaną rozmrożone.

Przechowywanie mrożonek

- Zawsze postępuj zgodnie z instrukcjami producenta dotyczącymi czasu przechowywania żywności. Nie przekraczaj terminu przydatności w nich podanego!

- W celu ochrony jakości żywności należy zachować możliwie najkrótszy odstęp czasu między jej zakupem, a włożeniem do zamrażarki.
- Kup mrożone jedzenie przechowywane w temperaturze -18°C lub niższej.
- Należy unikać kupowania żywności, której opakowania są pokryte lodem itp. - oznacza to, że produkt mógł być częściowo rozmrożony i ponownie zamrożony. Temperatura ma wpływ na jakość żywności.
- Nie należy przekraczać czasu przechowywania zalecanego przez producenta żywności. Wyjmuj z zamrażarki tylko tyle jedzenia, ile potrzebujesz.
- Z wyjątkiem przypadków skrajnych warunków środowiskowych, jeśli przechowywanie produktu (w tabeli zalecanych wartości) jest szczegółowo określone, żywność zachowuje świeżość przez dłuższy czas, zarówno w komorze na świeżą żywność, jak i w komorze zamrażarki.
- Jeśli komora na świeże jedzenie jest ustawiona na niższą temperaturę, świeże owoce i warzywa mogą zostać częściowo zamrożone.

Tabela zalecanych wartości ustawień

Ustawianie komory zamrażania	Ustawianie komory chłodzenia	Opisy
-22°C	4°C	Jest to domyślne zalecane ustawienie. To ustawienie jest zalecane, jeśli temperatura otoczenia jest niższa niż 30°C .
-20°C	6°C	To ustawienie jest zalecane, jeśli temperatura otoczenia przekracza 25°C .
Szybkie zamrażanie	4°C	Przydaje się, gdy chcesz szybko zamrozić żywność. Po zakończeniu czynności urządzenie przywróci poprzednie ustawienia.

Szybkie zamrażanie

1. Włącz funkcję szybkiego zamrażania 24 godziny przed umieszczeniem w komorze świeżej żywności.
2. Po 24 godzinach od naciśnięcia przycisku umieść żywność, którą chcesz zamrozić na drugiej półce z większą wydajnością zamrażania.
3. Funkcja szybkiego zamrażania zostanie automatycznie wyłączona po 48 godzinach.

Szczegóły dotyczące zamrażarki

Zgodnie z normą IEC 62552, zamrażarka musi być w stanie zamrozić 4,5 kg żywności do temperatury -18°C lub niższej, przy temperaturze otoczenia 25°C , w ciągu 24 godzin, na każde 100 litrów pojemności komory zamrażarki.

Żywność można przechowywać przez dłuższy czas tylko w temperaturze równej -18°C lub niższej.

Żywność może zachować świeżość przez całe miesiące (po głębokim zamrożeniu do temperatury przynajmniej -18°C).

Żywność do zamrożenia nie może się stykać z wcześniej zamrożoną żywnością, aby uniknąć częściowego rozmrożenia.

Warzywa należy zagotować i odcedzić wodę, aby wydłużyć czas zamrażania. Umieść żywność w hermetycznych opakowaniach po odfiltrowaniu i włóż do zamrażarki. Banany, pomidory, sałata, seler, gotowane jajka, kartofle i podobna żywność nie powinna być mrożona. W przypadku gdy żywność psuje się, tylko wartości odżywcze i walory kulinarne ucierpią. Procesy gnilne groźne dla zdrowia ludzkiego nie wchodzi w grę.

Umieszczanie żywności

Półki komory zamrażarki:Różne zamrożone jedzenie, takie jak mięso, ryby, lody, warzywa itp.

Półki komory chłodziarki:Żywność w garnkach, przykryte talerze i pudełka, jajka (w pudełku z pokrywką)

Półki drzwi komory chłodziarki:Małe i pakowane jedzenie lub napoje

Pojemnik na owoce i warzywa:Warzywa i owoce

Komora świeżej żywności: Delikatesy (jedzenie śniadaniowe, produkty mięsne do spożycia w krótkim terminie)

7.3 Obszar lodówki do przechowywania nabiału

Szuflada przechowywania w zimnie

Szuflada do przechowywania w niskich temperaturach może osiągnąć niższe temperatury w lodówce. Użyj tej szuflady do produktów delikatесowych (salami, kiełbasa itp.) i produktów mlecznych, które wymagają chłodniejszych warunków przechowywania lub mięsa, kurczaka lub ryb przeznaczonych do szybkiego spożycia. W tej szufladzie nie należy przechowywać owoców ani warzyw.

7.4 Odwracanie strony otwierania drzwi

Stronę otwierania lodówki można odwrócić w zależności od miejsca, w którym ją umieścisz. Gdy zajdzie taka potrzeba, należy skontaktować się z najbliższym autoryzowanym serwisem.

7.5 Alarm otwarcia drzwi

Alarm otwarcia drzwi

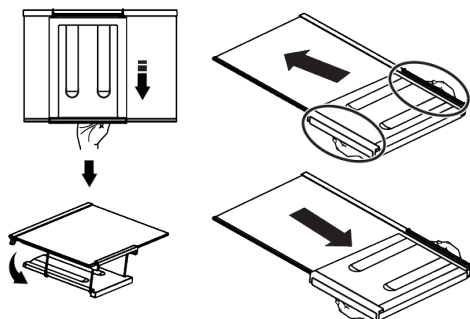
Alarm dźwiękowy rozlegnie się, jeśli drzwi produktu pozostaną otwarte przez 1 minutę. Alarm dźwiękowy zostanie zatrzymany po zamknięciu drzwi lub naciśnięciu dowolnego przycisku na wyświetlaczu (jeśli jest dostępny).

7.6 Składana półka na wino

Pozwala na przechowywanie butelek z winem. Aby użyć półki, chwyć plastikową część i delikatnie pociągnij ją w dół. Można teraz korzystać ze składanej półki na wino.



Na składanej półce zaleca się przechowywanie maksymalnie 2 butelek wina.



Aby zamontować półkę na wino należy najpierw wyjąć szklaną półkę z lodówki. Umieść półkę na wino na szklanej półce, wpychając plastikową część przez przednie i tylne rowki, jak pokazano na rysunku. Produkt będzie gotowy do użycia ze składaną półką na wino.

Aby wyjąć składaną półkę na wino, należy najpierw wyjąć szklaną półkę z lodówki. Następnie należy chwycić plastikową część i pociągnąć w dowolnym kierunku. W razie potrzeby można teraz korzystać z produktu bez składanej półki na wino.

7.7 Wymiana lampki oświetlenia

W przypadku konieczności wymiany żarówki/LED używanej do oświetlenia lodówki należy skontaktować się z autoryzowanym serwisem.

Lampa lub lampy stosowane w tym urządzeniu nie mogą być stosowane w oświetleniu domu. Przeznaczeniem tej lampy jest pomóc użytkownikowi włożyć jedzenie do lodówki/zamrażarki bezpiecznie i wygodnie.

7.8 AeroFresh

Jest to system rozdziału powietrza zapewniający jednorodny rozkład temperatury. Dzięki cyrkulacji powietrza zapewniony jest jednorodny rozkład temperatury w komorze do przechowywania świeżych produktów spożywczych, a wahania temperatury są utrzymywane na niskim poziomie. Nie ma bezpośredniego nadmuchu powietrza nad żywnością, co pomaga zmniejszyć utratę

wilgoci. Zachowuje to świeżość żywności przechowywanej w komorze na świeżą żywność w lodówce. W ten sposób żywność jest przechowywana w bardziej stabilnych temperaturach, a kontakt z powie-

trzem jest ograniczony. Zapobiega się sušeniu i kurczeniu się żywności przez utratę wilgoci, a świeżość zostaje zachowana przez dłuższy czas.

8 Konserwacja i utrzymywanie w czystości

PL



OSTRZEŻENIE:

Najpierw należy przeczytać rozdział „Instrukcje bezpieczeństwa”



OSTRZEŻENIE:

Przed czyszczeniem urządzenie należy odłączyć od prądu.

- Nie używaj ostrych lub szorstkich narzędzi do czyszczenia produktu. Nie używaj materiałów takich jak domowe środki czyszczące, mydła, detergentów, gazu, benzyny, alkoholu, wosku itp.
- Kurz należy usuwać z kratki wentylacyjnej znajdującej się z tyłu produktu przynajmniej raz w roku (bez otwierania osłony). Czyść produkt suchą ściereczką.
- Wodę należy trzymać z dala od pokrywy lampy i innych części elektrycznych.
- Wyczyść drzwi zwilżoną ściereczką. Wyjmij całą zawartość z półek i drzwi. Wyjmij półki drzwiowe, unosząc je do góry. Oczyszć i wysusz półki, a następnie zamocuj je z powrotem na miejscu, wsuwając je od góry.
- Do powierzchni zewnętrznej i części chromowanych produktu nie wolno używać wody chlorowanej ani środków czyszczących. Chlor spowoduje rdzewienie powierzchni metalowych.
- Nie używaj ostrych i ściernych narzędzi, mydła, domowych środków czyszczących, detergentów, gazu, benzyny, lakieru i podobnych substancji, aby zapobiec odkształceniu plastikowej części i usunięciu odcisków na części. Należy je wyczyścić letnią wodą i miękką ściereczką, a następnie wytrzeć do sucha.
- Na produktach bez funkcji No-Frost na tylnej ścianie komory zamrażarki mogą pojawić się krople wody i oblodzenie o

grubości nawet jednego palca. Nie czyścić i nigdy nie wlewać olejów ani podobnych materiałów.

- Do czyszczenia zewnętrznej powierzchni produktu używaj lekko zwilżonej ściereczki z mikrofibry. Gąbki i inne rodzaje szmatek do czyszczenia mogą powodować zarysowania.
- Aby wyczyścić wszystkie wszystkie wymowane elementy podczas czyszczenia wewnętrznej powierzchni produktu, należy je przemyć łagodnym roztworem mydła, wody i sody oczyszczonej. Dokładnie umyj i wysusz. Elementami oświetlenia i panelem sterowania nie powinny mieć styczności z wodą.



UWAGA:

Nie używaj octu, alkoholu do wycierania lub innych środków czyszczących na bazie alkoholu na żadnej wewnętrznej powierzchni.

Powierzchnie zewnętrzne ze stali nierdzewnej

Użyj nieściernego środka do czyszczenia stali nierdzewnej i nałóż go miękką niestrzępiącą się szmatką. Aby wypolerować powierzchnię delikatnie przetrzyj ją ściereczką z mikrofibry zwilżoną wodą i użyj suchej irchy polerskiej. Należy podążać za śladami stali nierdzewnej.

Zapobieganie powstawaniu nieprzyjemnych zapachów

Wyprodukowany produkt jest wolny od wszelkich materiałów zapachowych. Jednak przechowywanie żywności w nieodpowiednich komorach i niepoprawne czyszczenie powierzchni wewnętrznych może wywoływać nieprzyjemne zapachy.

- Aby tego uniknąć, należy czyścić wnętrze wodą z sodą oczyszczoną co 15 dni.
- Przechowuj żywność w zamkniętych pojemnikach, ponieważ drobnoustroje pochodzące z żywności przechowywanej w niezamkniętych pojemnikach będą powodować nieprzyjemny zapach.
- W lodówce nie należy przechowywać przeterminowanej ani zepsutej żywności.

Ochrona powierzchni plastikowych

Olej rozlany na powierzchni plastikowe może je uszkadzać i należy go natychmiast usunąć ciepłą wodą.

9 Rozwiązywanie problemów

Przed skontaktowaniem się z serwisem należy sprawdzić tę listę. Umożliwi to zaoszczędzenie czasu i pieniędzy. Ta lista zawiera często spotykane problemy niezwiązane z wadami jakości wykonania lub materiałów. Pewne wymienione tutaj funkcje mogą nie dotyczyć posiadanego produktu.

Lodówka nie działa.

- Wtyk zasilania nie jest włożony do końca. >>> Dociśnij go do końca w gniazdku.
- Bezpiecznik podłączony do gniazda zasilającego produkt lub bezpiecznik główny jest przepalony. >>> Sprawdź bezpiecznik.

Kondensacja na bocznej ścianie komory chłodziarki (WIELOSTREFOWE, KONTROLA CHŁODZENIA I FLEXI ZONE).

- Drzwi są otwierane zbyt często. >>> Należy uważać, aby nie otwierać zbyt często drzwi urządzenia.
- Środowisko jest za wilgotne. >>> Produktu nie należy instalować w wilgotnych środowiskach.
- Żywność zawierająca płyny jest przechowywana w nieuszczelnionych opakowaniach. >>> Żywność zawierająca płyny należy przechowywać w zamkniętych opakowaniach.
- Drzwi produktu pozostały otwarte. >>> Nie wolno pozostawiać otwartych drzwi produktu przez długi czas.
- Termostat jest ustawiony na bardzo niską temperaturę. >>> Ustaw termostat na odpowiednią temperaturę.

Sprężarka nie działa.

- W przypadku nagłej awarii zasilania lub wyciągnięcia kabla zasilającego z gniazda i podłączenia go z powrotem ciśnienie

gazu w układzie chłodzenia produktu jest nierównoważone, co wyzwała zabezpieczenie termiczne sprężarki. Produkt ponownie się uruchomi po około 6 minutach. Jeśli produkt nie uruchomi się po tym czasie, skontaktuj się z serwisem.

- Odmrażanie jest aktywne. >>> To jest normalne w przypadku produktu z całkowicie zautomatyzowanym odmrażaniem. Odmrażanie odbywa się okresowo.
- Produkt nie jest podłączony. >>> Upewnij się, że kabel zasilania jest podłączony.
- Nastawa temperatury jest niepoprawna. >>> Wybierz poprawną nastawę temperatury.
- Brak zasilania. >>> Po przywróceniu zasilania produkt będzie kontynuował normalną pracę.

Hałas pracy lodówki zwiększa się podczas używania.

- Wydajność robocza produktu może się zmieniać w zależności od zmian temperatury otoczenia. To jest sytuacja normalna, a nie awaria.

Lodówka włącza się za często lub na zbyt długo.

- Nowy produkt może być większy niż poprzedni. Większe produkty pracują dłużej.
- Temperatura w pomieszczeniu może być wysoka. >>> Produkt będzie normalnie działał przed dłuższy czas przy wyższej temperaturze w pomieszczeniu.
- Produkt mógł zostać niedawno podłączony lub do środka została włożona nowa porcja żywności. >>> Produkt będzie potrzebował więcej czasu na osiągnięcie ustawionej temperatury, jeśli został nie-

dawno podłączony lub do środka została włożona nowa porcja żywności. To jest normalne.

- Do produktu włożono ostatnio dużą ilość gorącej żywności. >>> Do produktu nie wolno wkładać gorącej żywności.
- Drzwi były często otwierane lub były otwarte przez dłuższy czas. >>> Ciepłe powietrze przedostające się do środka spowoduje wydłużenie pracy produktu. Nie należy za często otwierać drzwi.
- Drzwi zamrażarki lub lodówki mogą być uchylone. >>> Sprawdź, czy drzwi są całkowicie zamknięte.
- Urządzenie może być ustawione na zbyt niską temperaturę. >>> Ustaw wyższą temperaturę i poczekaj aż produkt ją osiągnie.
- Uszczelka drzwi lodówki lub zamrażarki może być zabrudzona, zużyta, uszkodzona lub niepoprawnie ułożona. >>> Oczyszczyć lub wymienić uszczelkę. Uszkodzona/podarta uszczelka drzwi spowoduje wydłużenie działania produktu w celu utrzymania bieżącej temperatury.

Temperatura zamrażarki jest bardzo niska, ale temperatura lodówki jest odpowiednia.

- Temperatura komory zamrażarki jest ustawiona bardzo nisko. >>> Ustaw wyższą temperaturę komory zamrażarki i sprawdź ponownie.

Temperatura lodówki jest bardzo niska, ale temperatura zamrażarki jest odpowiednia.

- Temperatura lodówki jest ustawiona bardzo nisko. >>> Ustaw wyższą temperaturę lodówki i sprawdź ponownie.

Żywność przechowywana w szufladach komory lodówki jest zamrożona.

- Temperatura lodówki jest ustawiona bardzo nisko. >>> Ustaw wyższą temperaturę lodówki i sprawdź ponownie.

Temperatura lodówki lub zamrażarki jest za wysoka.

- Temperatura komory lodówki jest ustawiona bardzo wysoko. >>> Ustawienie temperatury komory chłodzenia ma

wpływ na temperaturę w zamrażarce. Poczekaj, aż temperatura odpowiednich części osiągnie wystarczający poziom, zmieniając temperaturę lodówki lub zamrażarki.

- Drzwi były często otwierane lub były otwarte przez dłuższy czas. >>> Nie należy za często otwierać drzwi.
- Drzwi mogą być uchylone. >>> Całkowicie zamknij drzwi.
- Produkt mógł zostać niedawno podłączony lub do środka została włożona nowa porcja żywności. >>> To jest normalne. Produkt będzie potrzebował więcej czasu na osiągnięcie ustawionej temperatury, jeśli został niedawno podłączony lub do środka została włożona nowa porcja żywności.
- Do produktu włożono ostatnio dużą ilość gorącej żywności. >>> Do produktu nie wolno wkładać gorącej żywności.

Wstrząsy lub hałas.

- Powierzchnia nie jest płaska lub trwała >>> Jeśli produkt się kołysze, wyreguluj podstawki, aby wypoziomować produkt. Upewnij się też, że podłoże jest wystarczająco wytrzymałe i uniesie produkt.
- Wszelkie przedmioty umieszczone na produkcie mogą powodować hałas. >>> Zdejmij wszelkie przedmioty umieszczone na produkcie.
- Produkt wytwarza dźwięki przepływającego płynu, rozpryskiwania itd.
- Zasada działania produktu obejmuje przepływ płynu i gazu. >>> To jest sytuacja normalna, a nie awaria.

Z produktu słychać odgłos dmuchającego wiatru.

- Produkt używa wentylatora w procesie chłodzenia. To jest sytuacja normalna, a nie awaria.

Na wewnętrznych ścianach urządzenia dochodzi do skraplania.

- Gorąca lub zimna pogoda zwiększy zalodzenie i kondensację. To jest sytuacja normalna, a nie awaria.

- Drzwi były często otwierane lub były otwarte przez dłuższy czas. >>> Nie należy otwierać drzwi za często, a jeśli są otwarte należy je zamknąć.
- Drzwi mogą być uchylone. >>> Całkowicie zamknij drzwi.

Na powierzchni zewnętrznej lub między drzwiami produktu występuje kondensacja.

- Pogoda może być wilgotna i to zjawisko jest normalne w takich warunkach. >>> Po zmniejszeniu wilgotności kondensacja zniknie.

Nieprzyjemny zapach we wnętrzu.

- Produkt nie jest regularnie czyszczony. >>> Czyść wnętrze regularnie za pomocą gąbki, ciepłej wody i wody z sodą oczyszczoną.
- Niektóre pojemniki i opakowania mogą wywoływać nieprzyjemne zapachy. >>> Należy używać pojemników i opakowań z materiałów niewydzielających zapachów.
- Żywność została umieszczona w nieuszczelnionych pojemnikach. >>> Żywność należy przechowywać w zamkniętych opakowaniach. Drobnoustroje mogą rozprzestrzeniać się z niezamkniętych produktów spożywczych i powodować nieprzyjemny zapach.
- Z urządzenia należy usunąć wszelką przeterminowaną i zepsutą żywność.

Drzwi się nie zamykają.

- Opakowania żywności mogą blokować drzwi. >>> Przesuń przedmioty blokujące drzwi.

- Produkt nie stoi całkowicie pionowo na ziemi. >>> Wyreguluj nóżki, aby zrównoważyć produkt.
- Powierzchnia nie jest płaska lub trwała >>> Upewnij się, że powierzchnia jest płaska i wystarczająco wytrzymała, aby udźwignąć urządzenie.

Pojemnik na owoce i warzywa z regulacją wilgotności jest zablokowany.

- Żywność może się stykać z górną częścią szuflady. >>> Zmień ułożenie żywności w szufladzie.

Temperatura na powierzchni produktu.

- podczas działania produktu można zaobserwować wysoką temperaturę między dwójgciem drzwi, na panelach bocznych i na tylnej części grilla. Podczas pracy urządzenia wysokie temperatury można poczuć między dwoma skrzydłami drzwi, na ścianach bocznych i na kratce z tyłu. Jest to zjawisko normalne i nie wymaga żadnej obsługi technicznej.

Po otwarciu drzwi wentylator nadal pracuje.

- Wentylator może nadal działać, gdy drzwi zamrażarki są otwarte.



OSTRZEŻENIE: Jeśli problem nie zniknie po wykonaniu instrukcji podanych w tym rozdziale, skontaktuj się ze sprzedawcą lub autoryzowanym serwisem. Nie próbuj naprawiać produktu. To jest normalne.

ZRZECZENIE SIĘ/OSTRZEŻENIE

Niektóre (proste) awarie mogą być odpowiednio naprawione przez użytkownika końcowego bez żadnych problemów związanych z bezpieczeństwem lub wynikającym z tego niebezpiecznego użytkowania, pod warunkiem, że zostaną wykonane w określonych granicach i zgodnie z poniższymi instrukcjami (patrz: część „Naprawa samodzielna”).

Dlatego, o ile nie określono inaczej w części „Naprawa samodzielna” poniżej, naprawy powinny być kierowane do zarejestrowanych warsztatów w celu uniknięcia problemów związanych z bezpieczeństwem. Zarejestrowany profesjonalny podmiot zajmujący się naprawami to warsztat, któremu producent przyznał dostęp do instrukcji i wykazu części zamiennych tego produktu

zgodnie z metodami opisanymi w aktach prawnych zgodnie z dyrektywą 2009/125/WE.

Jednak tylko agent serwisowy (tj. autoryzowane profesjonalne warsztaty), z którym można skontaktować się pod numerem telefonu podanym w instrukcji obsługi/karcie gwarancyjnej lub za pośrednictwem autoryzowanego sprzedawcy, może świadczyć usługi na warunkach gwarancji. Dlatego informujemy, że naprawy wykonywane w warsztatach profesjonalnych (nieautoryzowanych przez) Grundig powodują utratę gwarancji.

Naprawa samodzielna

Użytkownik końcowy może dokonać samodzielnej naprawy następujących części zamiennych: rączek drzwi, zawiasów, półek, koszyków i uszczelek drzwi (zaktualizowana lista jest również dostępna support.grundig.com od 1 marca 2021).

Ponadto, aby zapewnić bezpieczeństwo produktu i zapobiec ryzyku poważnych obrażeń, wspomnianą samodzielną naprawę należy przeprowadzić zgodnie z instrukcjami zawartymi w instrukcji samodzielnej naprawy lub dostępnymi na support.grundig.com. Dla własnego bezpieczeństwa odłącz produkt od zasilania przed przystąpieniem do samodzielnej naprawy.

Próby naprawy i naprawy części, które nie zostały wymienione na liście i/lub nie zostały opisane w instrukcjach użytkownika dotyczących naprawy własnej lub które są dostępne w support.grundig.com, mogą stanowić naruszenie zasad bezpieczeństwa, których nie można przypisać Grundig, i powodują unieważnienie gwarancji na produkt.

W związku z tym zdecydowanie zaleca się, aby użytkownicy końcowi powstrzymali się od podejmowania prób wykonywania napraw spoza wymienionego wykazu części zamiennych, kontaktując się w takich przypadkach z autoryzowanymi warsztatami lub zarejestrowanymi warsztatami. Wręcz przeciwnie, takie próby przeprowadzone użytkowników końcowych mogą spowodować problemy z bezpieczeństwem i uszkodzić produkt, a następnie spowodować pożar, powódź, porażenie prądem i poważne obrażenia ciała.

Na przykład, ale nie ograniczając się do niego, następujące naprawy muszą być skierowane do autoryzowanych warsztatów profesjonalnych lub zarejestrowanych warsztatów profesjonalnych: sprężarka, obwód chłodzenia, płyta główna, płyta inwertera, płyta wyświetlacza itp.

Producent/sprzedawca nie może być pociągnięty do odpowiedzialności w każdym przypadku, gdy użytkownicy końcowi nie zastosują się do powyższego.

Dostępność części zamiennych zakupionej lodówki wynosi 10 lat. W tym okresie dostępne będą oryginalne części zamienne do prawidłowej obsługi lodówki

Minimalny okres gwarancji na zakupioną lodówkę wynosi 24 miesiące.

Ten produkt jest wyposażony w źródło światła klasy energetycznej „G”.

Źródło światła w tym produkcie może zostać wymienione wyłącznie przez specjalistę

Zobacz także

- 2 CLAUSE DE NON-RESPONSABILITÉ / AVERTISSEMENT [} 54]

