

GRUNDIG

Refrigerator / User Manual

Congélateur / Réfrigérateur / Manuel d'utilisation

Frigorifero / Manuale Utente



GDPN67823LX

58 7365 0000/ EN/ FR/ IT/ AF/ 19/01/2023 16:52
725614698



Please read this manual first!

Dear Customer

Please read this manual before using the product.

Thank you for choosing this Grundig product. We would like you to achieve the optimal efficiency from this high quality product which has been manufactured with state of the art technology. To do this, carefully read this manual and any other documentation provided before using the product and keep it as a reference.

Heed all information and warnings in the user manual. This way, you will protect yourself and your product against the dangers that may occur.

Keep the user manual. Include this manual with the unit if you hand it over to someone else.

The following symbols are used in the user manual:



Hazard that may result in death or injury.



Important information or useful tips on operation.



Read the user manual.



Combustible material, warning against fire hazard.

NOTICE A hazard that may cause material damage to the product or its surroundings

  SUPPLIER'S NAME MODEL IDENTIFIER → (*)  	The model information as stored in the product data base can be reached by entering following website and searching for your model identifier (*) found on energy label. https://eprel.ec.europa.eu/
--	---

1	Safety Instructions.....	4
1.1	Intention of Use	4
1.2	Safety of Children, Vulnerable Persons and Pets	4
1.3	Electrical Safety	5
1.4	Handling Safety	6
1.5	Installation Safety.....	6
1.6	Operational Safety.....	8
1.7	Food Storage Safety.....	10
1.8	Maintenance and Cleaning Safety	10
1.9	Disposal of the Old Product.....	11
2	Environmental Instructions.....	11
2.1	Compliance with the WEEE Dir- ective and Disposing of the Waste Product	11
3	Your Refrigerator	13
4	Installation	14
4.1	Right Place For Installation.....	14
4.2	Electrical Connection	14
4.3	Attaching the Plastic Wedges	14
4.4	Adjusting the Legs.....	15
4.5	Hot Surface Warning	15
5	Preparation.....	15
5.1	First Use	15
5.2	Climate Class and Definitions	15
6	Operating the Product.....	16
7	Control Panel of the Product.....	17
8	Using The Product.....	19
8.1	Storing Food in the Freezer and Cooler Compartment.....	19
8.2	Replacing the Illumination Lamp..	22
8.3	Door Open Alert	22
8.4	Reversing the Door Opening Side.	22
9	Product Features	22
9.1	The ice storage area.....	22
9.2	Egg holder	22
9.3	Crisper	23
9.4	Crisper Technologies	23
9.5	Dairy Products Cold Storage Area	23
9.6	AeroFresh.....	23
10	Maintenance and Cleaning	23
11	Troubleshooting	24

1 Safety Instructions

- This section includes the safety instructions necessary to prevent the risk of personal injury or material damage.
- Our company shall not be held responsible for damages that may occur if these instructions are not observed.



Always have installation and repair operations performed by manufacturer, authorized service or a person who will be described by importer company.



Use original spare parts and accessories only.



Do not repair or replace any component of the product unless it is clearly specified in the user manual.



Do not perform any modifications on the product.

1.1 Intention of Use

- This product is not suitable for commercial use and should not be used for a purpose other than its intended use.
- This product is intended for operating interiors, such as households or similar.

For example;

In the staff kitchens of the stores, offices and other working environments,

In farm houses,

In the units of hotels, motels or other resting facilities that are used by the customers,

In hostels, or similar environments,

In catering services and similar non-retail applications.

- This product shall not be used in open or enclosed external environments such as vessels, camper vans, balconies or terraces. Exposing the product to rain, snow, sunlight and wind may cause risk of fire.

1.2 Safety of Children, Vulnerable Persons and Pets



- This product may be used by children aged 8 years and older and persons with underdeveloped physical, sensory or mental capabilities or lack of experience and knowledge if they are being supervised or have been given instruction concerning use of the appliance in a safe way and the hazards involved.

- Children between 3 and 8 years are allowed to put and take out food into/from the cooler product.
- Electrical products are dangerous for children and pets. Children and pets must not play with, climb on, or enter the product.
- Cleaning and user maintenance should not be performed by children unless there is someone overseeing them.
- Keep the packaging materials away from children. Risk of injury and suffocation.

Before disposing of old products that shall not be used any more:

1. Unplug the power cord from the mains socket.
 2. Cut the power cable and remove it from the appliance together with the plug.
 3. Do not remove the racks and drawers from the product to prevent children from getting inside the appliance.
 4. Remove the doors.
 5. Store the product so that it shall not be tipped over.
 6. Do not allow children to play with the scrapped product.
- Do not dispose of the product by throwing it into fire. Risk of explosion.

- If there is a lock available on the product's door, keep the key out of children's reach.

1.3 Electrical Safety

- The product shall not be plugged into the outlet during installation, maintenance, cleaning, repair, and transportation operations.
- If the power cable is damaged, it shall only be replaced by authorized service to avoid any risks that may occur.
- Do not tuck the power cable under the product or to the rear of the product. Do not put heavy items on the power cable. The power cable should not be bent, crushed, and come into contact with any heat source.
- Do not use an extension cord, multi-plug or adaptor to operate your product.
- Portable multi-plugs or portable power supplies may overheat and cause fire. Thus, do not have a multi-plug, portable power sources behind or in the vicinity of the product.
- Do not plug the product's power cord in a loose or damaged power outlet. These types of connections may overheat and cause fire.

- The plug shall be easily accessible. If this is not possible, a mechanism that meets the electrical legislation and that disconnects all terminals from the mains (fuse, switch, main switch, etc.) shall be available on the electrical installation.
- Do not touch the plug with wet hands.
- When unplugging the appliance, don't hold the power cord, but the plug.

1.4 Handling Safety

- This product is heavy, do not handle it by yourself.
- Do not hold the product from its door while handling the product.
- Be careful not to damage the cooling system and the pipes while handling the product. Do not operate the product if the pipes are damaged, and contact an authorized service.

1.5 Installation Safety

- Contact the Authorized Service for the product's installation. To prepare the product for use, see the information in the user manual and make sure the electric and water utilities are as required. If not, call a qualified electrician and plumber to

arrange the utilities as necessary. Failure to do so may result in electric shock, fire, problems with the product, or injury.

- Check for any damage on the product before installing it. Do not have the product installed if it is damaged.
- Place the product on a clean, level and hard surface and balance it with the adjustable legs. Otherwise, the refrigerator may tip over and cause injuries.
- The product shall be installed in a dry and ventilated environment. Do not keep carpets, rugs or similar covers under the product. This may cause risk of fire as a result of inadequate ventilation!
- Do not block or cover ventilation holes. Otherwise, power consumption increases and your product may be damaged.
- The product must not be connected to supply systems such as solar power supply. Otherwise, your product may be damaged due to sudden voltage changes!
- When positioning the appliance, ensure the supply cord is not trapped or damaged.

- The more refrigerant a refrigerator contains, the bigger its installation room should be. In very small rooms, a flammable gas-air mixture may occur in case of a gas leak in the cooling system. At least 1 m³ of volume is required for each 8 grams of refrigerant. The amount of the refrigerant available in your product is specified in the Type Label.
- The installation place of the product shall not be exposed to direct sunlight and it shall not be in the vicinity of a heat source such as stoves, radiators, etc. If you cannot prevent installation of the product in the vicinity of a heat source, use a suitable insulation plate and make sure the minimum distance to the heat source is as specified below:
 - At least 30 cm away from heat sources such as stoves, ovens, heating units and heaters, etc.,
 - And at least 5 cm away from electrical ovens.
- Your product has the protection class of I.
- Plug the product in a grounded socket that conforms with the Voltage, Current and Frequency values specified in the type label. The socket must have a 10A – 16A fuse. Our firm will not assume responsibility for any damages due to usage without earthing and without power connection in compliance with local and national regulations.
- The product's power cable must be unplugged during installation. Otherwise, risk of electric shock and injury may occur!
- Do not plug the product's power cord in loose, dislocated, broken, dirty, oily power outlets which have a risk of water contact. These types of connections may cause overheating and fire.
- Place the power cable and hoses (if any) of the product so that they shall not cause a risk of tripping over.
- Penetration of humidity and liquid to live parts or to the power cord may cause short circuit. Thus, do not use the product in humid environments or in areas where water may splash (e.g. garage, laundry room, etc.) If the refrigerator is wet by water, unplug it and contact an authorized service.

- Do not ever connect your refrigerator to power saving devices. These systems are harmful for the product

1.6 Operational Safety

- Do not ever use chemical solvents on the product. These materials contain an explosion risk.
- In case of a failure of the product, unplug it and do not operate until it is repaired by the authorized service. There is a risk of electric shock!
- Do not place a source of flame (e.g. candles, cigarettes, etc.) on the product or in the vicinity of it.
- Do not get on the product. Risk of falling and injury!
- Do not cause damage to the pipes of the cooling system using sharp and piercing tools. The refrigerant that sprays out in case of puncturing the gas pipes, pipe extensions or upper surface coatings may cause irritation of skin and injury to the eyes.
- Do not place and operate electrical appliances inside the refrigerator/freezer unless it is advised by the manufacturer.
- Do not jam any parts of your hands or your body to the moving parts inside the product. Be careful to prevent jamming of your fingers between the refrigerator and its door. Be careful while opening or closing the door if there are children around.
- Do not put ice cream, ice cubes or frozen food to your mouth as soon as you take them out of the freezer. Risk of frostbite!
- Do not touch the inner walls, metal parts of the freezer or food kept inside the freezer with wet hands. Risk of frostbite!
- Do not place soda cans or cans and bottles that contain fluids that may be frozen to the freezer compartment. Cans or bottles may explode. Risk of injury and material damage!
- Do not use or place materials sensitive against temperature such as flammable sprays, flammable objects, dry ice or other chemical agents in the vicinity of the refrigerator. Risk of fire and explosion!
- Do not store explosive materials such as aerosol cans with flammable materials inside the product.

- Do not place cans containing fluids over the product an open state. Splashing of water on an electrical part may cause the risk of an electric shock or a fire.
- This product is not intended for storage and cooling of medicines, blood plasma, laboratory preparations or similar materials and products that are subject to the Medical Products Directive.
- If the product is used against its intended purpose, it may cause damage to or deterioration of the products kept inside.
- If your refrigerator is equipped with blue light, do not look at this light with optical devices. Do not stare directly at UV LED light for a long time. Ultraviolet rays may cause eye strain.
- Do not fill the product with more food than its capacity. Injuries or damages may occur if the contents of the refrigerator fall when the door is opened. Similar problems may also occur when an object is placed over the product.
- Ensure that you have removed any ice or water that may have fallen to the floor to prevent injuries.
- Change the locations of the racks/bottle racks on the door of your refrigerator only when the racks are empty. Danger of injury!
- Do not place objects that may fall/tip over on the product. These objects may fall while opening or closing the door and cause injuries and/or material damages.
- Do not hit or exert excessive pressure on glass surfaces. Broken glass may cause injuries and/or material damages.
- The cooling system in your product contains R600a refrigerant. The refrigerant type used in the product is specified in the type label. This gas is flammable. Therefore, be careful not to damage the cooling system and the pipes while operating the product. In case of damage to the pipes;
 1. Do not touch the product or the power cable.
 2. Keep the product away from potential sources of fire that may cause the product to catch fire.
 3. Ventilate the area where the product is placed. Do not use a fan.
 4. Contact Authorized Service.

5. If the product is damaged and you observe gas leak, please stay away from the gas. Gas may cause frostbite if it contacts your skin.

1.7 Food Storage Safety

Please pay attention to the following warnings to avoid food spoilage:

- Leaving the doors open for a long time may cause the temperature inside the product to rise.
- Regularly clean the accessible drainage systems in contact with food.
- Clean the water tanks that have not been used for 48 hours and mains-fed water systems that have not been used for more than 5 days.
- Store raw meat and fish products in appropriate compartments within the product. Thus, it does not drip on or come into contact with other foods.
- Two-star freezer compartments are used for storing pre-filled foods, making and storing ice and ice cream.
- One, two and three-star compartments are not appropriate for freezing fresh food.

- If the cooling product has been left empty for a long time, turn off the product, defrost, clean, and dry the product in order to protect the housing of the product.

1.8 Maintenance and Cleaning Safety

- Unplug the refrigerator before cleaning it or starting to perform maintenance.
- Do not pull by the door handle if you shall move the product for cleaning purposes. Handle may cause injuries if it is pulled too hard.
- Do not put your hands etc. under the refrigerator. Jamming may occur or any sharp edge may cause personal injuries.
- Do not clean the product by spraying or pouring water on the product and inside the product. Risk of electric shock and fire.
- When cleaning the product, do not use sharp and abrasive tools or household cleaning agents, detergent, gas, gasoline, thinner, alcohol, varnish, and similar substances. Use only cleaning and maintenance agents that are not harmful for food inside the product.

- Do not ever use steam or steamed cleaning materials for cleaning the product and thawing the ice inside it. Steam contacts the live areas in your refrigerator and causes short circuit or electric shock.
- Do not use any mechanical tools or any other tools than the recommendations of the manufacturer to speed up the defrost operation.
- Take care to keep water away from the ventilation holes, electronic circuits or lighting of the product.
- Use a clean, dry cloth to wipe the dust or foreign material on the tips of the plugs. Do not use a wet or damp piece of cloth to clean the plug. Otherwise, risk of fire or electric shock may occur.



1.9 Disposal of the Old Product

When disposing of your old product follow the instructions below:

- To prevent children from accidentally locking themselves into the product, if there is door lock, make it deactivated.
- Splash of coolant is harmful to the eyes. Do not damage any part of the cooling system while disposing of the product.
- It may be fatal if the compressor oil is swallowed or if it penetrates the respiratory tract.
- Cooling system of your product includes R600a gas as specified in the type label. This gas is flammable. Do not dispose of the product by throwing it into fire. Risk of explosion!

2 Environmental Instructions

2.1 Compliance with the WEEE Directive and Disposing of the Waste Product



This product complies with EU WEEE Directive (2012/19/EU). This product bears a classification symbol for waste electrical and electronic equipment (WEEE).

This symbol indicates that this product shall not be disposed with other household wastes at the end of its service life. Used device must be returned to official collec-

tion point for recycling of electrical and electronic devices. To find these collection systems please contact to your local authorities or retailer where the product was purchased. Each household performs important role in recovering and recycling of old appliance. Appropriate disposal of used appliance helps prevent potential negative consequences for the environment and human health.

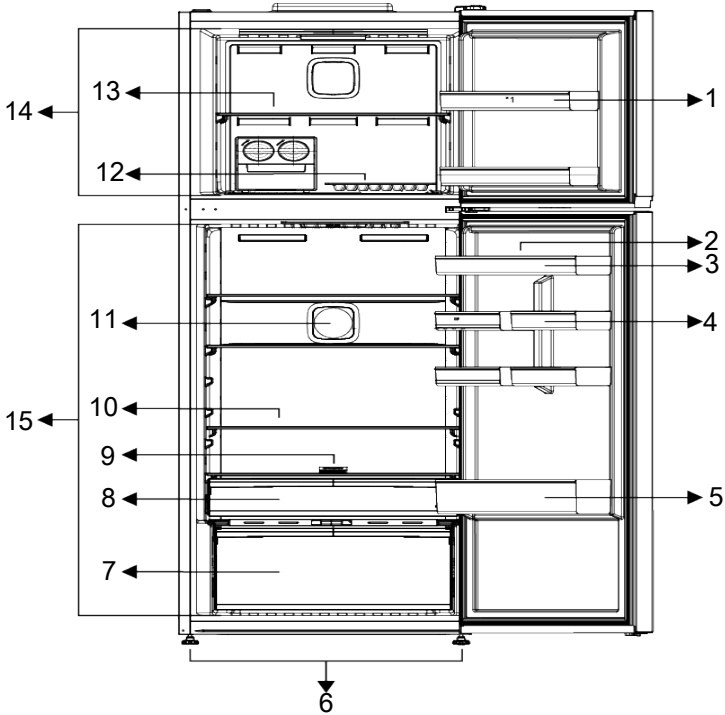
Compliance with RoHS Directive

The product you have purchased complies with EU RoHS Directive (2011/65/EU). It does not contain harmful and prohibited materials specified in the Directive.



Package information

Packaging materials of the product are manufactured from recyclable materials in accordance with our National Environment Regulations. Do not dispose of the packaging materials together with the domestic or other wastes. Take them to the packaging material collection points designated by the local authorities.



- | | |
|--|--|
| 1 *Freezer compartment door shelves | 2 Egg holder |
| 3 *Cooler compartment door shelves | 4 *Cooler compartment small door shelves |
| 5 *Bottle shelf | 6 Adjustable legs |
| 7 Crisper, crisper separator and ethylene filter | 8 Dairy (cold storage) drawer |
| 9 Filter | 10 *Cooler compartment glass shelves |
| 11 Fan | 12 *Icematic/ ice storage box |
| 13 Freezer compartment glass shelf | 14 Freezer compartment |
| 15 Cooler compartment | |

***Optional:** Figures in this user manual are schematic and may not exactly match your product. If your product does not comprise the relevant parts, the information pertains to other models.

4 Installation



Read the "Safety Instructions" section first!

4.1 Right Place For Installation

Contact the Authorized Service for the product's installation. To prepare the product for installation, see the information in the user manual and make sure the electric and water utilities are as required. If not, call an electrician and plumber to arrange the utilities as necessary.



WARNING:

The manufacturer assumes no responsibility for any damages caused by the work carried out by unauthorized persons.



WARNING:

The product's power cable must be unplugged during installation. Failure to do so may result in death or serious injuries!



WARNING:

If the door span is too narrow for the product to pass, remove the door and turn the product sideways; if this does not work, contact the authorized service.

- Place the product on a flat surface to avoid vibration.
- Place the product at least 30 cm away from the heater, stove and similar sources of heat and at least 5 cm away from electric ovens.
- Do not expose the product to direct sunlight or keep it in damp environments.
- Your product requires adequate air circulation to function efficiently. If the product will be placed in an alcove, remember to leave at least 5 cm clearance between the product and the ceiling, rear wall and the side walls.

- Check if the rear wall clearance protection component is present at its location (if provided with the product).
- If the component is not available, or if it is lost or fallen, position the product so that at least 5 cm clearance shall be left between the rear surface of the product and the wall of the room. The clearance at the rear is important for efficient operation of the product.

4.2 Electrical Connection



Do not use extension or multi sockets in power connection.



Damaged power cable must be replaced by Authorized Service.



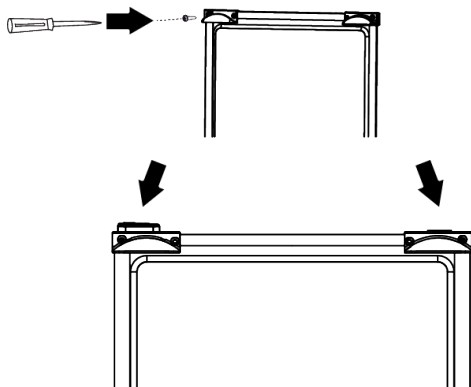
When placing two coolers in adjacent position, leave at least 4 cm distance between the two units.

- Our firm will not assume responsibility for any damages due to usage without earthing and power connection in compliance with national regulations.
- The power cable plug must be easily accessible after installation.
- Do not use multi-group plug with or without extension cable between the wall socket and the refrigerator.

4.3 Attaching the Plastic Wedges

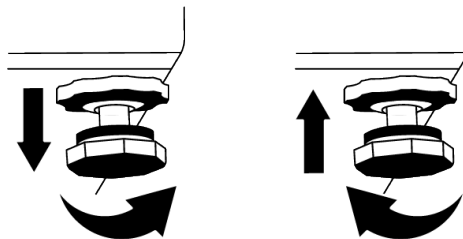
Use the plastic wedges provided with the product to maintain sufficient space for air circulation between the product and the wall.

1. To attach the wedges, remove the screws on the product and use the screws provided with the wedges.
2. Attach 2 plastic wedges on the ventilation cover as shown in the figure.



4.4 Adjusting the Legs

If the product is not in balanced position, adjust the front adjustable legs by rotating them to right or left.



4.5 Hot Surface Warning

The side walls of your product are equipped with cooler pipes to enhance the cooling system. High pressure fluid may flow through these surfaces, and cause hot surfaces on the side walls. This is normal and it does not require servicing. Be careful when you contact these areas.

5 Preparation

What to do for energy saving



Read the "Safety Instructions" section first.

- This refrigerating appliance is not intended to be used as a built in appliance.
- Do not keep the refrigerator doors open for long periods.
- Do not place hot food or beverages into the refrigerator.

5.1 First Use

Before using your refrigerator, make sure the necessary preparations are made in line with the instructions in "Safety and Environmental Instructions" and "Installation" sections.

- Keep the product running without placing any food inside for 12 hours and do not open the door, unless absolutely necessary.



A sound will be heard when the compressor is engaged. It is normal for the product to make noise even if the compressor is not running, as fluid and gas may be compressed in the cooling system.



It is normal for the front edges of the refrigerator to be warm. These areas are designed to warm up in order to prevent condensation.



For some models, indicator panel turns off automatically 1 minute after the door closes. It will be re-activated when the door is opened or any button is pressed.

5.2 Climate Class and Definitions

Please refer to the Climate Class on the rating plate of your device. One of the following information is applicable to your device according to the Climate Class.

- **SN:** Long Term Temperate Climate: This cooling device is designed for use at ambient temperatures between 10 °C and 32 °C.

- **N:** Temperate Climate: This cooling device is designed for use at ambient temperatures between 16°C and 32 °C.
- **ST:** Subtropical Climate: This cooling device is designed for use at ambient temperatures between 16°C and 38°C.
- **T:** Tropical Climate: This cooling device is designed for use at ambient temperatures between 16°C and 43°C.

6 Operating the Product



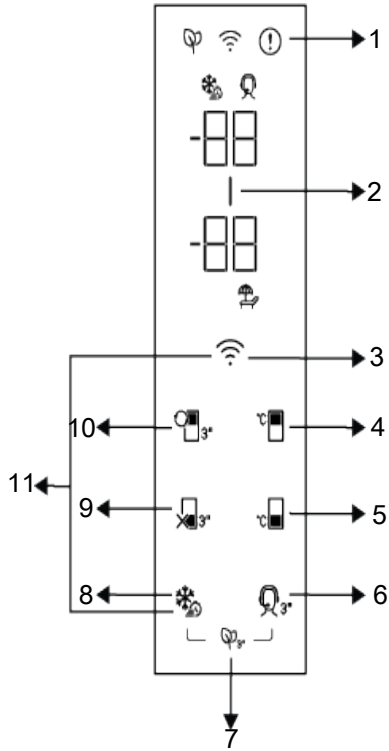
Read the "Safety Instructions" section first!

- Do not use any mechanical tools or any other tools than the recommendations of the manufacturer to speed up the defrost operation.
- Do not use parts of your refrigerator such as the door or drawers as a support or a step. This may cause the product to trip over or its components to be damaged.
- The product shall be used for storing food only.


- Turn off the water valve if you will be away from home (e.g. at vacation) and you will not be using the Icematic or the water dispenser for a long period of time. Otherwise, water leaks may occur.

Unplugging the Product

- If you are not going to use the product for a long time, unplug the product from the socket.
- Remove the food to prevent odours,
- Wait for the ice to melt, clean the interior and let it dry, leave the doors open to avoid damaging the inner body plastics.



- | | |
|---|--|
| 1 Error Status Indicator | 2 Energy Saving (Display Off) Indicator |
| 3 *Wireless Key | 4 Freezer Compartment Temperature Setting Key |
| 5 Cooler Compartment Temperature Setting Key | 6 *Support Service Key |
| 7 *Deodoriser Module Key | 8 Quick Freezing Key/Handle Light Function Setting Key |
| 9 Cooler Compartment Off (Vacation) Function Key | 10 *Compartment Conversion Key |
| 11 Key for Resetting Wireless Connection Settings | |

 Read the "Safety Instructions" section first.

*Optional: Shown functions are optional, there may be differences of shape and location in functions found on your appliance's indicator panel.

Auditory and visual functions on the indicator panel will assist you in using the refrigerator.

1. Error Condition Indicator

This indicator will be active when your refrigerator cannot perform adequate cooling or in case of any sensor error. "E" will be

displayed on the freezer compartment temperature indicator and figures such as 1,2,3... will be displayed on the cooler compartment temperature indicator. These figures provide information to the authorized service on the error that has occurred.

Exclamation mark may be displayed for a while when you load warm food to the freezer compartment or keep the door open for a long period of time. This is not a fault, this warning will be removed when the food is cooled down or when any key is pressed.

2. Energy Saving (Display Off) Indicator

Energy saving function is enabled automatically and the energy saving symbol lights up when the door of the product is not opened or closed for some period of time. When the energy saving function is active, all symbols on the screen except the energy saving symbol will be turned off. When the energy saving function is active, if you press any key or open the door, the energy saving function will be deactivated and the symbols on the screen will return to normal. The energy saving function is a function activated ex-factory and cannot be cancelled.

3. *Wireless Key

When the key is pressed for a long period (3 seconds), the wireless connection symbol on the display/screen flashes slowly (at 0.5 second intervals). The home network is initialized on the product this way.

After achieving wireless connection with the product, wireless connection symbol illuminates continuously.

When the initial connection is established, you may activate/deactivate the connection with a short press on this key. The wireless connection symbol will flash quickly (at 0.2 second intervals) until the connection is established. When the connection is active, the wireless network symbol will illuminate continuously.

If the connection cannot be established for a long period, check your connection settings and refer to the "Troubleshooting" section provided in the user manual.

HomeWhiz application will be used for wireless connection. The installation steps are described on the application during installation.

You may access the application by reading the QR code available on the HomeWhiz label on the product. Application is offered through App Store for IOS devices, and through Play Store for Android devices.

Visit <https://www.homewhiz.com/> address for detailed information.

4. The Freezer Compartment Temperature Setting Key

Temperature setting is made for freezer compartment. Pressing this key will enable the freezer compartment temperature to be set at -18,-19,-20,-21,-22,-23,-24 Celsius.

5. Cooler Compartment Temperature Setting Key

Allows setting of temperature for cooler compartment. When this key is pressed on, the cooler compartment temperature is set to 8,7,6,5,4,3,2 and 1 Celsius values

6. *Support Service Key

Press this key for 3 seconds to activate/deactivate the support service. Detailed information on the support service is provided in the "Support Service Feature" section.

7. *Deodoriser Module Key

Press this key for 3 seconds to activate/deactivate the deodoriser feature. When the deodoriser feature is active, the LED on the respective key is illuminated. When the feature is active, the deodoriser module will be operated periodically.

8. Quick Freezing Key

When the quick freezing key is pressed the quick freezing symbol shall be illuminated and the quick freezing function shall be activated. Freezer compartment temperature is set to -27 Celsius. Press the key again to cancel the function. The quick freezing function will be automatically cancelled. To freeze a large amount of fresh food, press the quick freezing key before placing the food in the freezer compartment.

*Handle Light Function Setting Key

Handle light function might be switched between open and closed modes by pressing the quick freezing key for 3 seconds. In the closed mode, the handle light is only activated when the appliance door is opened and it goes out after a while after the door is closed. In the open mode, the handle light is activated when the appliance door is opened, the handle light stays on dimly after a while after the door is closed. The handle light function is set to the ex-factory closed mode.

9. Cooler Compartment Off (Vacation)

Function Key

Press the key for 3 seconds to activate the vacation function. Vacation mode is activated and the vacation symbol

8 Using The Product



Read the "Safety Instructions" section first!

8.1 Storing Food in the Freezer and Cooler Compartment

Storing food in the freezer compartment

- You can activate Quick Freezing function 4-6 hours before freezing function and perform a faster cooling.
- Bring hot meals to the room temperature before placing them in the freezer compartment.
- Foods to be frozen must be divided into portions according to a size to be consumed, and frozen in separate packages.

is illuminated. "- -" will be displayed on the Cooler Compartment temperature indicator and the cooler compartment does not actively perform cooling. You should not keep your food in the cooler compartment if you activate this function. The other compartments continue to cool according to temperatures set before. Press the key for 3 seconds again to cancel this function.

10. Compartment Conversion Key

Pressing compartment conversion key for 3 seconds, the freezer compartment switches between cooler, off and freezer modes, respectively. If it is operated as the cooler compartment, the temperature of the compartment will be set as 4 Celsius. In the off mode, compartment temperature indicator shall display "- -".

11. Key for Resetting Wireless Connection Settings

To reset the wireless connection settings, press on Quick freezing and Wireless connection keys simultaneously for 3 seconds. All user information recorded previously are removed on a product where wireless connection settings are reset/restored to factory defaults.

- It is recommended to pack the foods before placing them in the freezer.
- In order to prevent expiration of storage time, write the freezing date, time and name of the product on the package according to the storage times of different foods.
- Consume the foods you have defrosted quickly. Defrosted foods cannot be frozen again unless they are cooked. It is not safe to consume the refrozen fresh foods without cooking after they are defrosted.

- As you freeze fresh foods, do not bring them in contact with already frozen foods. Otherwise, frozen foods will be defrosted.

Storing the foods, which are sold frozen

- Always follow the instructions of the producer in relation to the time during which you are required to store your foods. Do not exceed the time specified in these instructions!
- In order to protect the quality of the food, keep the time interval between purchasing transaction and storing as short as possible.
- Buy frozen food which are stored at -18°C or lower temperatures.

- Avoid buying foods whose packages are covered with ice etc. This means that the product could be partially defrosted and refrozen. Temperature impacts the quality of the food.
- Do not exceed the storing time recommended by the food producer. Remove only the food as much as you need from the freezer.
- Except the cases where extreme circumstances are available in the environment, if your product (on the recommended set values table) is set to the specified set values, the food keep their freshness for a longer time both in the fresh product compartment and freezer compartment.
- If fresh food compartment is set to a lower temperature, fresh fruits and vegetables may be partially frozen.

Recommended set values table

Freezer Compartment Setting	Fridge Compartment Setting	Remarks
-18°C	4°C	This is the default, recommended setting. This setting is recommended if ambient temperature is below 30°C .
$-20, -22$ or -24°C	4°C	These settings are recommended for ambient temperatures exceeding 30°C .
Quick Freeze	4°C	Use when you want to freeze your food in a short time. When the process ends, the product's settings will return to previous position.
-18°C or colder	2°C	Use these settings if you believe the cooler compartment is not cold enough due to ambient temperature or frequently opening the door.

Quick freezing

1. Activate the quick freezing function 24 hours before placing your fresh foods.
2. After 24 hours after pressing the button, place your food that you want to freeze on the first shelf with higher freezing capacity.
3. The quick freezing function will be automatically deactivated after 24 hours.

Freezer details

As per the IEC 62552 standards, the freezer must have the capacity to freeze 4,5 kg of food items at -18°C or lower temperatures at 25°C room temperature in 24 hours for each 100 litres of freezer compartment volume.

Food products can only be preserved for extended periods at or below temperature of -18°C .

You can keep the foods fresh for months (in freezer at or below temperatures of -18°C).

The food products to be frozen must not contact the already-frozen food inside to avoid partial defrosting.

Boil the vegetables and filter the water to extend the frozen storage time. Place the food in air-tight packages after filtering and place in the freezer. Bananas, tomatoes, lettuce, celery, boiled eggs, potatoes and similar food items should not be frozen. In case these foods are frozen, only nutri-

tional values and eating qualities will be negatively affected. A rotting that would threaten human health is not in question.

Placing the food

Freezer compartment shelves: Different frozen foods like meat, fish, ice cream, vegetables etc.

Cooler compartment shelves: Food items inside pots, capped plate and capped cases, eggs (in closed case)

Cooler compartment door shelves: Small and packaged food or beverages

Crisper: Vegetables and fruits

Fresh food compartment: Delicatessen (breakfast food, meat products to be consumed in short time)

Storing food in the cooler compartment

- Compartment temperatures rise prominently if compartment door is opened and closed frequently and kept open for a long time, this can reduce the life span of the food and cause the food to spoil.
- In order not to cause odour and taste changes, the food should be stored in the closed containers.
- Do not store too much food in your refrigerator. To achieve a better and homogeneous cooling, place the food separately in a way that cold air can wander through them.
- Provide air flow by leaving a space between the food and internal wall. If you lean the food against the rear wall, the food may freeze.
- Bring cooked hot meals to the room temperature before placing them in the refrigerator. Then, you can place the tepid meal in the lower shelves of your refrigerator. Do not place the tepid meals close to the foods which may easily spoil.
- Defrost your frozen food in the fresh food compartment. Thereby, you can cool fresh food compartment by using frozen food and save energy.

- Storing unripe tropical fruits (mango, melon varieties, papaya, banana, pineapple) in the refrigerator may speed up the ripening process. This is not recommended because it will cause shorter storage time.
 - You should store onions, garlands, gingers and other root vegetables in dark and cold room conditions, not in the refrigerator.
 - If you notice that a food has spoiled in the refrigerator, throw away that food and clean the accessories which have come into contact with it.
 - In order to cool the meals like soups and stews, which are cooked in the large pots, quickly, you can put them in the refrigerator by separating them into their own shallow containers.
 - Do not place unpackaged food close to eggs.
 - Keep the fruits and vegetables separately and store each variety together (for example; apples with apples, carrots with carrots)
 - Take green vegetables out of the plastic bag and place them in the refrigerator after wrapping them in a paper towel or drying cloth. If you wash this type of food before placing them in the refrigerator, remember to dry them.
 - You can both create a damp environment and provide an air flow by keeping fruits and vegetables, which are prone to drying, in the perforated or unsealed plastic bags.
 - Except the cases where extreme circumstances are available in the environment, if your product (on the recommended set values table) is set to the specified set values, the food keep their freshness for a longer time both in the fresh product compartment and freezer compartment.
- Store different food in different places according to their properties.**

Food	Location
Egg	Door Shelf
Dairy products (butter, cheese)	If available, zero degree (for breakfast food) compartment
Fruits, vegetables and greenery	Fruit-vegetable compartment, crisper or EverFresh+ compartment (if available)
Fresh meat, poultry, fish, sausage etc. Cooked foods	If available, zero degree (for breakfast food) compartment
Ready to serve foods, packaged products, canned foods and pickles	Top shelves or door shelf
Beverages, bottles, spices and snacks	Door Shelf

8.2 Replacing the Illumination Lamp

Call the Authorized Service when the Bulb/ LED used for lighting in your refrigerator will be replaced.

Lamp(s) used in this appliance cannot be used for house lighting. Intended use of this lamp is to help the user place food into the refrigerator / freezer safely and comfortably.

8.3 Door Open Alert

An audible alert will be heard if the product's door remains open for 1 minute. The audible alert will stop when you close the cabinet door or press any button on the display (if available).

8.4 Reversing the Door Opening Side

The door opening side of your refrigerator can be reversed according to the place you put it. When you need this, you should definitely call the nearest Authorized Service.

9 Product Features

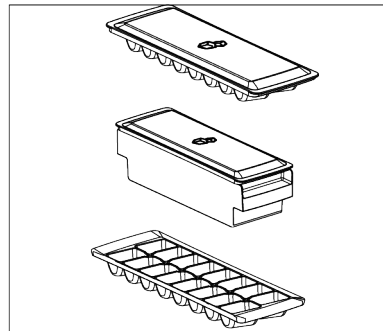
9.1 The ice storage area

Ice Container

Ice bucket allows you take ice easily from the refrigerator.

Using the ice bucket

1. Take the ice bucket out of the freezer compartment.
2. Fill the ice bucket with water.
3. Place the ice bucket into the freezer compartment. The ice will be ready after approximately two hours.
4. Take the ice bucket from the freezer compartment and bend in slightly over the holder that you are going to serve. Ice will easily pour into the serving holder.



9.2 Egg holder

You can place the egg holder on the door or body shelf you wish.

If the egg holder is to be placed on the body shelf, we recommend you to choose colder lower shelves.



Never place the egg holder on the freezer compartment

9.3 Crisper

The refrigerator's crisper is designed to keep vegetables fresh by preserving their humidity. For this purpose, the overall cold air circulation is intensified in the crisper. Keep fruits and vegetables in this compartment. Keep the green-leaved vegetables and fruits separately to prolong their life.

9.4 Crisper Technologies

Blue Light

Fruits and vegetables stored in the crispers that are illuminated with a blue light continue their photosynthesis by means of the wavelength effect of blue light and thus preserve their vitamin content.

VitaminZone

Fruits and vegetables stored in crispers illuminated with the VitaminZone technology preserve their vitamins for a longer time thanks to the blue, green, red lights and dark cycles, which simulate a day cycle. When the door of your refrigerator is opened during the dark period of the VitaminZone technology, your refrigerator shall sense this automatically and illuminate the crisper with one of the blue, green or red lights respectively for your convenience.

After you have closed the door of the refrigerator, the dark period will continue, representing the night time in a day cycle.

9.5 Dairy Products Cold Storage Area

Cold Storage Drawer

The Cold Storage Drawer can reach lower temperatures in the cooler compartment. Use this drawer for delicatessen products (salami, sausage, etc.) and dairy products that require colder storage conditions, or for meat, chicken or fish to be consumed quickly. It is not suitable to store fruits and vegetables in this drawer.

9.6 AeroFresh

It is an air distribution system that provides homogeneous temperature distribution. With the air circulation, the homogeneous temperature distribution is ensured in the fresh food storage compartment, and the temperature fluctuations are kept at low levels. No direct air blowing over the food is realized and this helps to reduce moisture loss. It preserves the freshness of the food stored in the fresh food compartment of the refrigerator. In this way, your food is stored at more stable temperatures and the contact with air is reduced. The drying and shrinking of foods by losing moisture is prevented and freshness is provided for a longer time.

10 Maintenance and Cleaning



WARNING:

Read the "Safety Instructions" section first.



WARNING:

Unplug the refrigerator before cleaning it.

- Do not use sharp or abrasive tools to clean the product. Do not use materials such as household cleaning agents, soap, detergents, gas, gasoline, thinner, alcohol, wax, etc.

- The dust shall be removed from the ventilation grill on the rear of the product at least once a year (without opening the cover). Clean the product with a dry cloth.
- Take care to keep water away from the lamp's cover and other electrical parts.
- Clean the door with a damp cloth. Remove all contents to remove the door and body racks. Remove the door racks by lifting them upwards. Clean and dry the shelves, then attach back in place by sliding from above.

- Do not use chlorinated water or cleaning products on the exterior surface and chrome-coated parts of the product. Chlorine will cause rust on such metallic surfaces.
- Do not use sharp and abrasive tools, soap, house cleaning materials, detergents, gas, gasoline, varnish and similar substances to prevent deformation of the plastic part and removal of prints on the part. Use warm water and a soft cloth for cleaning, and then dry it.
- On the products without a No-Frost feature, water droplets and icing up to a thickness of a finger may occur on the rear wall of the freezer compartment. Do not clean, and never apply oils or similar materials.
- Use a mildly dampened micro-fibre cloth to clean the external surface of the product. Sponges and other types of cleaning clothes may cause scratches.
- To clean all removable components during the cleaning of the interior surface of the product, wash these components with a mild solution consisting of soap, water and carbonate. Wash and dry thoroughly. Prevent contact of water with illumination components and the control panel.



CAUTION:

Do not use vinegar, rubbing alcohol or other alcohol based cleaning agents on any interior surface.

Stainless Steel External Surfaces

Use a non-abrasive stainless steel cleaning agent and apply it with a soft lint-free cloth. To polish, gently wipe the surface with a micro-fibre cloth dampened with water and use dry polishing chamois. Always follow the veins of the stainless steel.

Preventing Odours

The product is manufactured free of any odorous materials. However, keeping the food in inappropriate sections and improper cleaning of internal surfaces may lead to odours.

- To avoid this, clean the inside with carbonated water every 15 days.
- Keep the foods in sealed holders, as micro-organisms arising from foods kept in unsealed containers will cause bad odour.
- Do not keep expired and spoilt foods in the refrigerator.

Protecting Plastic Surfaces

Oil spilled on plastic surfaces may damage the surface and must be cleaned immediately with warm water.

11 Troubleshooting

Check this list before contacting the service. Doing so will save you time and money. This list includes frequent complaints that are not related to faulty workmanship or materials. Certain features mentioned herein may not apply to your product.

The refrigerator is not working.

- The power plug is not fully settled. >>> Plug it in to settle completely into the socket.
- The fuse connected to the socket powering the product or the main fuse is blown. >>> Check the fuse.

Condensation on the side wall of the cooler compartment (MULTI ZONE, COOL CONTROL and FLEXI ZONE).

- The door is opened too frequently. >>> Take care not to open the product's door too frequently.
- The environment is too humid. >>> Do not install the product in humid environments.
- Foods containing liquids are kept in unsealed holders. >>> Keep the foods containing liquids in sealed holders.
- The product's door is left open. >>> Do not keep the product's door open for long periods.

- The thermostat is set to a very cool temperature. >>> Set the thermostat to an appropriate temperature.

Compressor is not working.

- In case of sudden power failure or pulling the power plug off and putting back on, the gas pressure in the product's cooling system is not balanced, which triggers the compressor thermic safeguard. The product will restart after approximately 6 minutes. If the product does not restart after this period, contact the service.
- Defrosting is active. >>> This is normal for a fully-automatic defrosting product. The defrosting is carried out periodically.
- The product is not plugged in. >>> Make sure the power cord is plugged in.
- The temperature setting is incorrect. >>> Select the appropriate temperature setting.
- The power is out. >>> The product will continue to operate normally once the power is restored.

The refrigerator's operating noise is increasing while in use.

- The product's operating performance may vary depending on the ambient temperature variations. This is normal and not a malfunction.

The refrigerator runs too often or for too long.

- The new product may be larger than the previous one. Larger products will run for longer periods.
- The room temperature may be high. >>> The product will normally run for long periods in higher room temperature.
- The product may have been recently plugged in or a new food item is placed inside. >>> The product will take longer to reach the set temperature when recently plugged in or a new food item is placed inside. This is normal.
- Large quantities of hot food may have been recently placed into the product. >>> Do not place hot food into the product.

- The doors were opened frequently or kept open for long periods. >>> The warm air moving inside will cause the product to run longer. Do not open the doors too frequently.
- The freezer or cooler door may be ajar. >>> Check that the doors are fully closed.
- The product may be set to a temperature that is too low. >>> Set the temperature to a higher degree and wait for the product to reach the adjusted temperature.
- The cooler or freezer door washer may be dirty, worn out, broken or not properly settled. >>> Clean or replace the gasket. Damaged / torn door washer will cause the product to run for longer periods to preserve the current temperature.

The freezer temperature is very low, but the cooler temperature is adequate.

- The freezer compartment temperature is set to a very low degree. >>> Set the freezer compartment temperature to a higher degree and check again.

The cooler temperature is very low, but the freezer temperature is adequate.

- The cooler compartment temperature is set to a very low degree. >>> Set the cooler compartment temperature to a higher degree and check again.

The food items kept in cooler compartment drawers are frozen.

- The cooler compartment temperature is set to a very low degree. >>> Set the cooler compartment temperature to a higher degree and check again.

The temperature in the cooler or the freezer is too high.

- The cooler compartment temperature is set to a very high degree. >>> Temperature setting of the cooler compartment has an effect on the temperature in the freezer compartment. Wait until the temperature of relevant parts reach the sufficient level by changing the temperature of cooler or freezer compartments.

- The doors were opened frequently or kept open for long periods. >>> Do not open the doors too frequently.
- The door may be ajar. >>> Fully close the door.
- The product may have been recently plugged in or a new food item is placed inside. >>> This is normal. The product will take longer to reach the set temperature when recently plugged in or a new food item is placed inside.
- Large quantities of hot food may have been recently placed into the product. >>> Do not place hot food into the product.

Shaking or noise.

- The surface is not flat or durable >>> If the product is shaking when moved slowly, adjust the stands to balance the product. Also make sure the ground is sufficiently durable to bear the product.
- Any items placed on the product may cause noise. >>> Remove any items placed on the product.
- The product is making noise of liquid flowing, spraying etc.
- The product's operating principles involve liquid and gas flows. >>> This is normal and not a malfunction.

There is sound of wind blowing coming from the product.

- The product uses a fan for the cooling process. This is normal and not a malfunction.

There is condensation on the product's internal walls.

- Hot or humid weather will increase icing and condensation. This is normal and not a malfunction.
- The doors were opened frequently or kept open for long periods. >>> Do not open the doors too frequently; if open, close the door.
- The door may be ajar. >>> Fully close the door.

There is condensation on the product's exterior or between the doors.

- The ambient weather may be humid, this is quite normal in humid weather. >>> The condensation will dissipate when the humidity is reduced.

The interior smells bad.

- The product is not cleaned regularly. >>> Clean the interior regularly using sponge, warm water and carbonated water.
- Certain holders and packaging materials may cause odour. >>> Use holders and packaging materials without free of odour.
- The foods were placed in unsealed holders. >>> Keep the foods in sealed holders. Microorganisms may spread out of unsealed food items and cause bad odour.
- Remove any expired or spoiled foods from the product.

The door is not closing.

- Food packages may be blocking the door. >>> Relocate any items blocking the doors.
- The product is not standing in full upright position on the ground. >>> Adjust the stands to balance the product.
- The surface is not flat or durable >>> Make sure the surface is flat and sufficiently durable to bear the product.

The crisper is jammed.

- The food items may be in contact with the upper section of the drawer. >>> Reorganize the food items in the drawer.

Temperature on the product surface.

- High temperature may be observed between two doors, on the side panels and on the rear grill area while your product is operated. This is normal and it does not require servicing.

Fan continues to operate when the door is opened.

- Fan may continue to operate when the freezer door is open.



WARNING: If the problem persists after following the instructions in this section, contact your vendor or an Authorized Service. Do not try to repair the product. This is normal.

DISCLAIMER / WARNING

Some (simple) failures can be adequately handled by the end-user without any safety issue or unsafe use arising, provided that they are carried out within the limits and in accordance with the following instructions (see the "Self-Repair" section).

Therefore, unless otherwise authorized in the "Self-Repair" section below, repairs shall be addressed to registered professional repairers in order to avoid safety issues. A registered Professional repairer is a professional repairer that has been granted access to the instructions and spare parts list of this product by the manufacturer according to the methods described in legislative acts pursuant to Directive 2009/125/EC.

However, only the service agent (i.e. authorized professional repairers) that you can reach through the phone number given in the user manual/warranty card or through your authorized dealer may provide service under the guarantee terms. Therefore, please be advised that repairs by professional repairers (who are not authorized by) Grundig shall void the guarantee.

Self-Repair

Self-repair can be done by the end-user with regard to the following spare parts: door handles, door hinges, trays, baskets and door gaskets (an updated list is also available support.grundig.com as of 1st March 2021).

Moreover, to ensure product safety and to prevent risk of serious injury, the mentioned self-repair shall be done following the instructions in the user manual for self-repair or which are available in sup-

Packaging sorting information

Please scan the QR code which places on the outer packaging of the product to find all the information relating to the packaging and how to manage the packaging waste.

port.grundig.com . For your safety, unplug the product before attempting any self-repair.

Repair and repair attempts by end-users for parts not included in such list and/or not following the instructions in the user manuals for self-repair or which are available in support.grundig.com, might give raise to safety issues not attributable to Grundig, and will void the warranty of the product.

Therefore, it is highly recommended that end-users refrain from the attempt to carry out repairs falling outside the mentioned list of spare parts, contacting in such cases authorized professional repairers or registered professional repairers. On the contrary, such attempts by end-users may cause safety issues and damage the product and subsequently cause fire, flood, electrocution and serious personal injury to occur.

By way of example, but not limited to, the following repairs must be addressed to authorized professional repairers or registered professional repairers: compressor, cooling circuit, main board, inverter board, display board, etc.

The manufacturer/seller cannot be held liable in any case where end-users do not comply with the above.

The spare part availability of the refrigerator that you purchased is 10 years. During this period, original spare parts will be available to operate the refrigerator properly

The minimum duration of guarantee of the refrigerator that you purchased is 24 months.

This product is equipped with a lighting source of the "G" energy class.

The lighting source in this product shall only be replaced by Professional repairer.

See also

2 DISCLAIMER / WARNING [} 28]

Premièrement veuillez lire ce manuel !

Cher client, chère cliente,

Veuillez lire ce manuel avant d'utiliser l'appareil.

Nous vous remercions d'avoir choisi ce Grundigproduit. Nous aimerions que vous obteniez une efficacité optimale de ce produit de haute qualité qui a été fabriqué avec une technologie de pointe. À cette fin, lisez attentivement ce manuel et toute autre documentation fournie avant d'utiliser le produit et conservez-les comme référence.

Tenez compte de toutes les informations et de tous les avertissements figurant dans le manuel d'utilisation. De cette façon, vous vous protégez, vous et votre produit, contre les dangers qui peuvent survenir.

Conservez le manuel d'utilisation. Joignez ce guide à l'unité si vous le remettez à quelqu'un d'autre.

Les symboles suivants sont utilisés dans le manuel d'utilisation :



Il s'agit d'un danger qui peut entraîner la mort ou des blessures.



Informations importantes ou conseils utiles sur le fonctionnement.




Lisez le manuel d'utilisation.



Matériau combustible, mise en garde contre le risque d'incendie.

AVERTISSEMENT Un danger qui peut causer des dommages matériels au produit ou à son environnement

	Les informations sur le modèle, telles qu'elles sont enregistrées dans la base de données des produits, peuvent être obtenues en accédant au site web suivant et en recherchant l'identifiant du modèle (*) figurant sur l'étiquette énergétique. https://eprel.ec.europa.eu/
<p>SUPPLIER'S NAME MODEL IDENTIFIER → (*)</p> <p>A A</p>	

	9.5	Zone d'entreposage frais des produits laitiers.....	55
	9.6	AeroFresh.....	55
	10	Entretien et nettoyage	55
	11	Dépannage.....	56
<hr/>			
1		Consignes de sécurité.....	34
1.1		Intention d'utilisation.....	34
1.2		Sécurité des enfants, des personnes vulnérables et des animaux domestiques.....	34
1.3		Sécurité électrique.....	35
1.4		Sécurité de manipulation	36
1.5		Sûreté des installations	36
1.6		Sécurité de fonctionnement	38
1.7		Sécurité du stockage des aliments	41
1.8		Sécurité relative à l'entretien et au nettoyage	41
1.9		Mise au rebut de l'ancien produit .	42
2		Instructions environnementales..	43
2.1		Conformité avec la directive DEEE et élimination des déchets..	43
3		Votre réfrigérateur	44
4		Installation	45
4.1		Lieu idéal d'installation	45
4.2		Branchement électrique.....	45
4.3		Fixation des cales en plastique....	46
4.4		Réglages des pieds avant.....	46
4.5		Attention aux surfaces chaudes...	46
5		Préparation.....	46
5.1		Première utilisation	46
5.2		Classe climatique et définitions...	47
6		Fonctionnement de l'appareil.....	47
7		Panneau de contrôle du produit..	48
8		Utilisation de l'appareil.....	51
8.1		Stockage des aliments dans le compartiment du congélateur et du réfrigérateur.....	51
8.2		Remplacement de la lampe d'éclairage.....	54
8.3		Alerte de porte ouverte.....	54
8.4		Inversion du côté d'ouverture de la porte	54
9		Caractéristiques du produit.....	54
9.1		La zone de stockage de la glace..	54
9.2		Porte-œuf	54
9.3		Bac à légumes	55
9.4		Technologies Crisper	55

1 Consignes de sécurité

Cette section contient les instructions de sécurité nécessaires à la prévention des risques de dommage corporel ou de dommage matériel.

Notre entreprise ne peut être tenue pour responsable des dommages qui peuvent se produire si ces instructions ne sont pas respectées.

Les opérations d'installation et de réparation doivent être effectuées par un service agréé.

Utilisez uniquement des pièces de rechange et des accessoires d'origine.

Les pièces de rechange originales sont fournies pendant les 10 années suivant la date d'achat de l'appareil.

Évitez de réparer ou de remplacer tout composant de l'appareil sauf si cela est clairement spécifié dans le manuel d'utilisation.

Il ne faut pas effectuer de modifications sur l'appareil.

1.1 Intention d'utilisation

Ce produit ne convient pas à un usage commercial et ne doit pas être utilisé autrement que pour l'usage auquel il est destiné. Ce

produit est conçu pour être utilisé à l'intérieur, dans les foyers et dans des endroits similaires.

Par exemple ;

- cuisines du personnel des magasins, bureaux et autres environnements professionnels,
- les maisons de campagne,
- unités des hôtels, motels ou autres installations de repos utilisées par les clients,
- hôtels ou environnements similaires,
- services de restauration et les espaces semblables de vente en gros.

Ces appareils ne doivent pas être utilisés dans des environnements extérieurs ouverts ou clôturés tels que les bateaux, balcons ou terrasses. L'exposition de l'appareil à la pluie, à la neige, au soleil et au vent présente un risque d'incendie.

1.2 Sécurité des enfants, des personnes vulnérables et des animaux domestiques

- Cet appareil peut être utilisé par des enfants âgés d'au moins 8 ans, ainsi que par des personnes avec des capacités physiques, sensorielles ou

mentales réduites ou sans expérience et connaissances, si elles sont supervisées ou ont été formées à l'utilisation sécurisée de l'appareil et comprennent les risques relatifs.

- Les enfants de 3 à 8 ans sont autorisés à mettre les aliments dans la glacière et à les enlever.
- Les produits électriques sont dangereux pour les enfants et les animaux domestiques. Les enfants et les animaux domestiques ne doivent pas jouer avec le produit, ni grimper dessus, ni y entrer.
- Le nettoyage et l'entretien des utilisateurs ne doivent pas être effectués par des enfants, sauf s'il y a une personne qui les surveille.
- Tenez les emballages hors de la portée des enfants. Risque de blessure et d'asphyxie.

Avant de vous débarrasser des appareils usagés qui ne doivent plus être utilisés :

1. Débranchez le cordon d'alimentation de la prise de courant.
2. Coupez le cordon d'alimentation et retirez-le de l'appareil avec la prise.

3. Ne retirez pas les étagères et les tiroirs de l'appareil pour empêcher les enfants d'y pénétrer.
4. Démontage des portes.
5. Stockez l'appareil de façon à éviter qu'il se renverse.
6. Ne laissez pas les enfants jouer avec un appareil usagé.
 - Ne jetez pas l'appareil en le mettant au feu. Risque d'explosion.
 - Si une serrure est disponible dans la porte de l'appareil, gardez la clé hors de la portée des enfants.



1.3 Sécurité électrique

- Il ne faut pas brancher le produit dans la prise de courant pendant les opérations d'installation, d'entretien, de nettoyage, de réparation et de transport.
- Si le câble d'alimentation est endommagé, il doit être remplacé par un service agréé uniquement pour éviter tout risque qui pourrait survenir.
- Ne placez pas le câble d'alimentation sous l'appareil ou à l'arrière de celui-ci. Ne placez aucun objet lourd sur le câble d'alimentation. Le câble d'alimentation ne doit pas être plié, écrasé et entrer en contact avec une source de chaleur.

- N'utilisez pas de rallonge, de prise multiple ou d'adaptateur pour faire fonctionner votre appareil.
- Les prises multiples mobiles ou les blocs d'alimentation portatifs peuvent surchauffer et causer un incendie. Par conséquent, aucune prise multiple ne doit se trouver derrière ou à proximité de l'appareil.
- La prise doit être facilement accessible. Si cela n'est pas possible, l'installation électrique doit être dotée d'un mécanisme conforme à la réglementation en matière d'électricité et qui déconnecte toutes les bornes du réseau (fusible, interrupteur, commutateur principal, etc.).
- Évitez de toucher le cordon d'alimentation avec des mains humides.
- Lorsque vous débranchez l'appareil, ne tenez pas le cordon d'alimentation, mais la prise.

1.4 Sécurité de manipulation

- Cet appareil est lourd, ne le manipulez pas seul.
- Lors de la manipulation de l'appareil, évitez de le tenir par sa porte.

- Veillez à ne pas endommager le système de refroidissement et les tuyaux lorsque vous manipulez l'appareil. Évitez de faire fonctionner l'appareil si les tuyaux sont endommagés et contactez un service agréé.

1.5 Sûreté des installations

- Contactez le service agréé pour l'installation de votre réfrigérateur. Pour préparer l'installation du réfrigérateur, lisez attentivement les instructions du manuel d'utilisation et assurez-vous que les équipements électriques et d'approvisionnement d'eau sont installés convenablement. Si ce n'est pas le cas, appelez un électricien et un plombier pour faire le nécessaire pour les services publics. Le non-respect de cette consigne peut entraîner un choc électrique, un incendie, des problèmes avec le produit ou des blessures.
- Vérifiez que l'appareil n'est pas endommagé avant de l'installer. N'installez pas l'appareil lorsqu'il est endommagé.
- Placez l'appareil sur une surface plane et dure et équilibrez-le avec les pieds ré-

glables. Sinon, le réfrigérateur risque de se renverser et provoquer des blessures.

- Installez l'appareil dans un endroit sec et ventilé. Ne laissez pas de tapis, de moquettes ou d'autres revêtements de sol similaires sous l'appareil. Ils peuvent entraîner un risque d'incendie en raison d'une ventilation inadéquate !
- N'obstruez pas ou ne couvrez pas les orifices de ventilation. Sinon, la consommation d'énergie pourrait augmenter et votre appareil pourrait être endommagé.
- Le produit ne doit pas être connecté à des systèmes d'alimentation tels que l'alimentation solaire. Sinon, votre produit peut être endommagé en raison de changements soudains de tension !
- Plus un réfrigérateur contient de réfrigérant, plus grande doit être la pièce d'installation. Dans les très petites pièces, un mélange gaz-air inflammable peut se produire en cas de fuite de gaz dans le système de refroidissement. Au moins 1 m³ de volume est requis pour chaque 8 grammes de réfrigérant. La quantité de réfrigérant disponible dans votre appareil est indiquée sur la plaque signalétique.
- Le lieu d'installation du produit ne doit pas être exposé à la lumière directe du soleil et ne doit pas se trouver à proximité d'une source de chaleur telle qu'un poêle, un radiateur, etc. Si vous ne pouvez pas empêcher l'installation du produit à proximité d'une source de chaleur, vous devez utiliser une plaque isolante appropriée et la distance minimale par rapport à la source de chaleur doit être conforme aux spécifications ci-dessous.
 - À au moins 30 cm des sources de chaleur telles que les cuisinières, les appareils de chauffage, etc.
 - Et à au moins 5 cm des fours électriques.
- Votre produit a la classe de protection I.
- Branchez le produit dans une prise avec mise à la terre conforme aux valeurs de tension, de courant et de fréquence indiquées sur la plaque signalétique. La prise de courant doit être équipée d'un fusible de 10 à 16A. Notre entreprise ne sera pas tenue responsable de tout dommage résultant de l'utilisation de l'ap-

pareil sans prise de mise à la terre ou branchement électrique conforme aux normes locales et nationales en vigueur.

- Débranchez le câble d'alimentation du réfrigérateur pendant l'installation. Dans le cas contraire, vous risquez de vous électrocuter et de vous blesser !
- Ne branchez pas l'appareil sur des prises desserrées, cassées, sales, graisseuses ou qui sont sorties de leur logement ou sur des prises présentant un risque de contact avec l'eau.
- Placez le câble d'alimentation et les flexibles (si disponibles) de l'appareil de sorte qu'ils ne puissent pas provoquer de risque de trébuchement.
- La pénétration de l'humidité dans les pièces sous tension ou dans le cordon d'alimentation peut provoquer un court-circuit. Par conséquent, n'utilisez pas l'appareil dans des environnements humides ou dans des endroits où l'eau peut éclabousser (p. ex. les garages, les buanderies, etc.). Lorsque le réfrigérateur est

mouillé par l'eau, débranchez-le et contactez un service autorisé.

- Ne branchez jamais votre réfrigérateur sur des dispositifs d'économie d'énergie. Ces dispositifs peuvent être dangereux pour l'appareil



1.6 Sécurité de fonctionnement

- N'utilisez jamais de solvants chimiques sur le réfrigérateur. Ces matériaux présentent un risque d'explosion.
- En cas de panne de l'appareil, débranchez-le et ne l'utilisez pas avant sa réparation par le service autorisé. Il existe un risque d'électrocution !
- Ne placez pas une source de flamme (p. ex. des bougies, cigarettes, etc.) sur l'appareil ou à proximité de celui-ci.
- Ne montez pas sur l'appareil. Risque de chute et de blessure !
- N'endommagez pas les tuyaux du système de refroidissement avec des outils tranchants et perçants. Le réfrigérant qui s'échappe en cas de perforation des tuyaux à gaz, des tuyaux d'extension ou des revêtements de la surface supé-

rieure peut provoquer une irritation de la peau et des liaisons oculaires.

- Ne placez pas et n'utilisez pas d'appareils électriques à l'intérieur du réfrigérateur/congélateur, sauf avis contraire du fabricant.
- Ne coincez pas les parties de vos mains ou de votre corps sur les parties mobiles à l'intérieur de l'appareil. Faites attention à ne pas coincer vos doigts entre le réfrigérateur et sa porte. Soyez prudent lorsque vous ouvrez ou fermez la porte en présence des enfants.
- Ne mettez pas de crème glacée, de glaçons ou d'aliments congelés dans votre bouche immédiatement après les avoir sortis du congélateur. Risque de gelure !
- Ne touchez pas les parois intérieures, les parties métalliques du congélateur ou les aliments conservés dans le congélateur avec les mains mouillées. Risque de gelure !
- Ne placez pas de canettes de soda ou de bouteilles contenant des liquides pouvant être congelés dans le compartiment congélateur. Les canettes ou les bouteilles peuvent exploser. Risque de blessures et de dommages matériels !
- N'utilisez pas ou ne placez pas de matériaux sensibles à la température tels que des aérosols inflammables, des objets inflammables, de la glace sèche ou d'autres agents chimiques à proximité du réfrigérateur. Risque d'incendie ou d'explosion !
- Ne stockez pas de matières explosives telles que des aérosols contenant des matériaux inflammables à l'intérieur de l'appareil.
- Ne placez pas de canettes contenant des liquides sur l'appareil. L'éclaboussure d'eau sur une pièce électrique peut entraîner un risque d'électrocution ou d'incendie.
- Cet appareil n'est pas destiné au stockage et au refroidissement de médicaments, de plasma sanguin, de préparations de laboratoire ou de matériaux et produits similaires qui sont soumis à la directive sur les produits médicaux.
- Si l'appareil est utilisé à d'autres fins que celles pour lesquelles il a été conçu, il peut endommager ou détériorer les produits qu'il contient.

- Si votre réfrigérateur est équipé d'un voyant lumineux bleu, ne contemplez pas le voyant lumineux avec des instruments optiques. Ne fixez pas directement la lumière LED à UV pendant une longue période, car les rayons ultraviolets peuvent entraîner la fatigue oculaire.
- Ne remplissez pas l'appareil de nourriture dépassant sa capacité. Des blessures ou des dégâts peuvent survenir au cas où le contenu du réfrigérateur tombe lorsque la porte est ouverte. Des problèmes similaires peuvent survenir lorsqu'un objet est placé sur l'appareil.
- Pour éviter tout risque de blessures, rassurez-vous que vous avez retiré toute la glace ou toute l'eau qui auraient pu se verser au sol.
- Changez l'emplacement des casiers/porte-bouteilles sur la porte de votre réfrigérateur uniquement lorsqu'ils sont vides. Risque de blessures !
- Ne placez aucun objet qui pourrait tomber ou basculer sur l'appareil. Ces objets peuvent tomber lors de l'ouverture ou de la fermeture de la porte, et causer des blessures et/ou des dégâts matériels.
- Ne frappez ni n'exercez aucune pression excessive sur les surfaces en verre. Le verre brisé peut causer des blessures et/ou des dégâts matériels.
- Le système de refroidissement de votre produit contient du réfrigérant R600a Le type de réfrigérant utilisé dans le produit est spécifié sur la plaque signalétique. Ce gaz est inflammable. Par conséquent, veillez à ne pas endommager le système de refroidissement et les tuyaux pendant l'utilisation de l'appareil. Si les tuyaux sont endommagés :
 1. Ne touchez pas l'appareil ni le câble d'alimentation,
 2. Maintenez l'appareil éloigné des sources potentielles d'incendie qui pourraient causer l'incendie de l'appareil,
 3. Aérez la zone où l'appareil est placé, - N'utilisez pas de ventilateur,
 4. Contactez un centre de service agréé.
 5. Si l'appareil est endommagé et que vous observez une fuite de gaz, éloignez-vous du gaz. Le gaz peut causer des gelures lorsqu'il entre en contact avec votre peau.



1.7 Sécurité du stockage des aliments

Veillez prêter attention aux avertissements suivants afin d'éviter la détérioration des aliments :

- Laisser les portes ouvertes pendant une longue période peut entraîner une augmentation de la température à l'intérieur du produit.
- Nettoyez régulièrement les systèmes de drainage accessibles en contact avec les aliments.
- Nettoyez les réservoirs d'eau qui n'ont pas été utilisés pendant 48 heures et les systèmes d'alimentation en eau qui n'ont pas été utilisés pendant plus de 5 jours.
- Conservez les produits de viande et de poisson crus dans des compartiments appropriés à l'intérieur de l'appareil. Ainsi, ils ne coulent pas sur les autres aliments et n'entre pas en contact avec eux.
- Les compartiments de congélation à deux étoiles permettent de conserver les aliments pré-cuisinés, de préparer et de conserver la glace et la crème glacée.

- Les compartiments à une, deux et trois étoiles ne conviennent pas à la congélation des aliments frais.
- Si le produit réfrigérant est resté vide pendant une longue période, éteignez le produit, dégivrez, nettoyez et séchez le produit afin de protéger le boîtier de l'appareil.



1.8 Sécurité relative à l'entretien et au nettoyage

- Ne tirez pas sur la poignée de la porte si vous devez déplacer l'appareil pour le nettoyer. La poignée peut causer des blessures si vous la tirez trop fort.
- Ne nettoyez pas l'appareil en pulvérisant ou en versant de l'eau dessus et à l'intérieur. Risque de choc électrique et d'incendie.
- Lors du nettoyage de l'appareil, n'utilisez pas d'outils tranchants et abrasifs ni de produits de nettoyage ménagers, de détergents, d'essence, de diluant, d'alcool, de vernis et de substances similaires. Utilisez des produits de nettoyage et d'entretien qui ne sont pas nocifs pour les aliments uniquement à l'intérieur de l'appareil.

- N'utilisez jamais de vapeur ou de matériel de nettoyage à vapeur pour nettoyer l'appareil et faire fondre la glace qui s'y trouve. Lorsque la vapeur entre en contact avec les zones sensibles de votre réfrigérateur, elle peut provoquer un court-circuit ou un choc électrique.
- Veillez à éloigner l'eau des circuits électroniques ou de l'éclairage de l'appareil.
- Utilisez un torchon propre et sec pour essuyer la poussière ou les corps étrangers sur les extrémités des fiches. N'utilisez pas de torchon humide ou mouillé pour nettoyer la fiche. Ceci, pour éviter tout risque d'incendie ou de choc électrique.
- Pour éviter que les enfants ne s'enferment accidentellement dans le produit, désactivez le verrou de porte s'il en existe un.
- Les éclaboussures de liquide de refroidissement sont dangereuses pour les yeux. N'endommagez aucune partie du système de refroidissement lorsque vous mettez le produit au rebut.
- L'ingestion de l'huile du compresseur ou sa pénétration dans les voies respiratoires peut être fatale.
- Le système de refroidissement de votre produit comprend du gaz R600a comme spécifié sur la plaque signalétique. Ce gaz est inflammable. Ne jetez pas l'appareil en le mettant au feu. Risque d'explosion !



1.9 Mise au rebut de l'ancien produit

Lorsque vous mettez votre ancien produit au rebut, suivez les instructions ci-dessous :

2 Instructions environnementales

2.1 Conformité avec la directive DEEE et élimination des déchets



Cet appareil est conforme à la directive DEEE de l'Union européenne (2012/19/UE). Le produit possède un symbole de classification attribué aux déchets d'équipements élec-

triques et électroniques (DEEE).

Ce symbole indique que cet appareil ne doit pas être mis au rebut avec les ordures ménagères à la fin de sa durée de vie. Les appareils usagés doivent être retournés au point de collecte officiel pour le recyclage des dispositifs électriques et électroniques. Pour trouver ces systèmes de collecte, veuillez contacter les autorités locales ou le détaillant à l'endroit où l'appareil a été acheté. Chaque ménage joue un rôle important dans la récupération et le recyclage des vieux appareils ménagers. La mise au

rebut appropriée des appareils usagés permet de prévenir les conséquences négatives potentielles pour l'environnement et la santé humaine.

Conformité à la directive RoHS

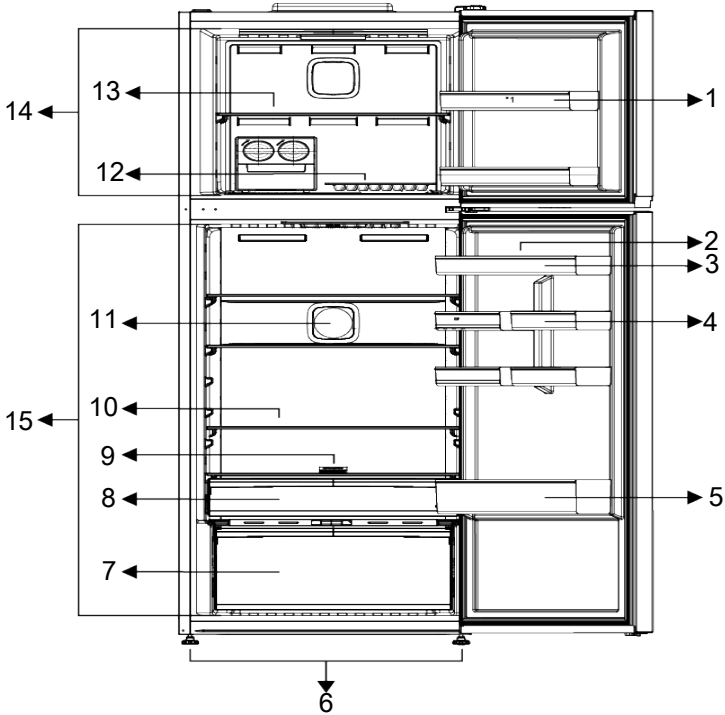
Votre appareil est conforme à la directive RoHS de l'Union européenne (2011/65/UE). Il ne comporte pas de matériaux dangereux et interdits mentionnés dans la directive.



Informations sur l'emballage

Les matériaux d'emballage de cet appareil sont fabriqués à partir de matériaux recyclables, conformément à nos réglementations nationales en matière d'environnement. Ne mettez pas les matériaux d'emballage au rebut avec les ordures ménagères et d'autres déchets. Apportez-les aux points de collecte des matériaux d'emballage désignés par les autorités locales.

3 Votre réfrigérateur



1 Balconnets de la porte du compartiment congélateur

3 * Balconnets de la porte du compartiment réfrigérateur

5 Étagère pour les bouteilles

7 Crispeur, séparateur de cristaux et filtre à éthylène

9 Filtre

11 Ventilateur

13 Étagère en verre du compartiment congélateur

15 Compartiment réfrigérateur

2 Porte-œuf

4 * Compartiment réfrigéré petites étagères de porte

6 Pieds réglables

8 * Tiroir de stockage des produits laitiers

10 * Étagère en verre du compartiment réfrigéré

12 Icematic/boîte de stockage de glace

14 Compartiment congélateur

***En option :** Les illustrations présentées dans ce manuel d'utilisation sont schématiques et peuvent ne pas correspondre

exactement à votre produit. Si votre appareil ne présente pas les parties citées, alors l'information s'applique à d'autres modèles.

4 Installation



Lisez d'abord la section « Instructions de sécurité » !

4.1 Lieu idéal d'installation

Contactez le service agréé pour l'installation de votre réfrigérateur. Pour préparer l'installation du réfrigérateur, lisez attentivement les instructions du manuel d'utilisation et assurez-vous que les équipements électriques et d'approvisionnement d'eau sont installés convenablement. Si ce n'est pas le cas, appelez un électricien et un plombier pour faire le nécessaire pour les services publics.



AVERTISSEMENT :

Le fabricant ne sera pas tenu responsable en cas de problèmes causés par des travaux effectués par des personnes non autorisées.



AVERTISSEMENT :

Débranchez le câble d'alimentation du réfrigérateur pendant l'installation. Le non-respect de cette consigne peut entraîner la mort ou des blessures graves !



AVERTISSEMENT :

Si le cadre de la porte est trop étroit pour laisser passer l'appareil, retirez la porte et faites passer l'appareil sur les côtés ; si cela ne fonctionne pas, contactez le service agréé.

- Placez l'appareil sur une surface plane pour éviter les vibrations.
- Placez le produit à 30 cm du chauffage, de la cuisinière et des autres sources de chaleur similaires et à au moins 5 cm des fours électriques.
- N'exposez pas le produit directement à lumière du soleil et ne le laissez pas dans des environnements humides.

- Votre produit nécessite une circulation d'air adéquate pour pouvoir fonctionner efficacement. S'il est placé dans une alcôve, n'oubliez pas de laisser un espace d'au moins 5 cm entre l'appareil, le plafond, la paroi arrière et les parois latérales.
- Vérifiez que l'élément de protection d'espace de la façade arrière est présent à son emplacement (au cas où il est fourni avec l'appareil).
- Si l'élément n'est pas disponible, perdu ou tombé, positionnez l'appareil de manière à laisser un espace d'au moins 5 cm entre la surface arrière de l'appareil et les murs de la pièce. L'espace prévu à l'arrière est important pour le fonctionnement efficace de l'appareil.

4.2 Branchement électrique



Ne branchez pas le réfrigérateur sur une rallonge ou une multiprise.



Les câbles d'alimentation endommagés doivent être remplacés par le service agréé.



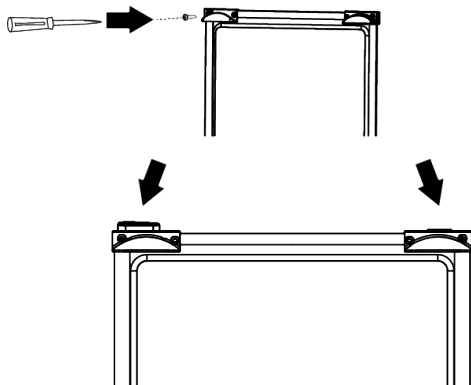
Lorsque deux réfrigérateurs sont installés côte à côte, laissez au moins 4 cm de distance entre les deux appareils

- Notre entreprise ne sera pas tenue responsable de tout dommage résultant de l'utilisation de l'appareil sans prise de mise à la terre ou branchement électrique conforme à la norme nationale en vigueur.
- Gardez la fiche du câble d'alimentation à portée de main après l'installation.
- N'utilisez pas de fiche multigroupe avec ou sans rallonge entre la prise murale et le réfrigérateur.

4.3 Fixation des cales en plastique

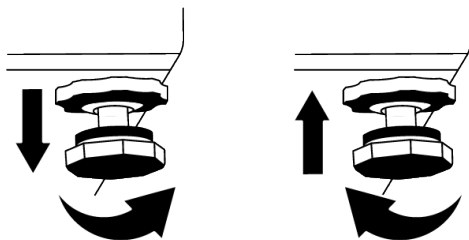
Utilisez les cales en plastiques fournies avec le réfrigérateur pour maintenir une circulation d'air suffisante entre le réfrigérateur et le mur.

1. Pour fixer les cales, retirez les vis du réfrigérateur et utilisez celles fournies avec les cales.
2. Fixez 2 cales en plastique sur le couvercle de ventilation tel qu'illustré par l'image.



4.4 Réglages des pieds avant

Si l'appareil n'est pas équilibré, réglez les pieds avant en les tournant vers la gauche ou la droite.

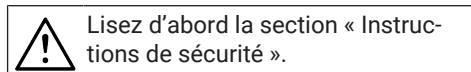


4.5 Attention aux surfaces chaudes

Les parois latérales de votre produit sont équipées de tuyaux de refroidissement pour améliorer le système de refroidissement. Un fluide à haute pression peut s'écouler à travers ces surfaces, et provoquer des surfaces chaudes sur les parois latérales. C'est normal et cela ne nécessite pas d'entretien. Faites attention lorsque vous contactez ces zones.

5 Préparation

Moyens d'économiser l'énergie



Lisez d'abord la section « Instructions de sécurité ».

- Cet appareil de réfrigération n'est pas conçu pour être utilisé comme un appareil encastré.
- Ne laissez pas la porte du réfrigérateur ouverte longtemps.
- Ne placez pas d'aliments ou de boissons chauds dans le réfrigérateur.

5.1 Première utilisation

Avant d'utiliser votre réfrigérateur, assurez-vous que les installations nécessaires sont conformes aux instructions des sections « Instructions en matière de sécurité et d'environnement » et « Installation ».

- Laissez l'appareil fonctionner à vide pendant 12 heures, et ne l'ouvrez pas sauf en cas de nécessité absolue.



Un son retentit à l'activation du compresseur. Il est normal que l'appareil fasse du bruit même si le compresseur ne fonctionne pas, car du fluide et du gaz peuvent être comprimés dans le système de refroidissement.



Il est normal que les bords avant du réfrigérateur soient chauds. Ces parties doivent en principe être chaudes afin d'éviter la condensation.



Pour certains modèles, le panneau indicateur s'éteint automatiquement 1 minute après la fermeture des portes. Il s'active à nouveau à l'ouverture de la porte ou lorsque vous appuyez sur n'importe quelle touche.

5.2 Classe climatique et définitions

Veillez vous référer à la classe climatique figurant sur la plaque signalétique de votre appareil. L'une des informations suivantes s'applique à votre appareil selon la classe climatique.

- **SN** : Climat tempéré à long terme : Ce dispositif de refroidissement est conçu pour être utilisé à une température ambiante comprise entre 10 °C et 32 °C.
- **N** : Climat tempéré : Ce dispositif de refroidissement est conçu pour être utilisé à une température ambiante comprise entre 16°C et 32 °C.
- **ST** : Climat subtropical : Ce dispositif de refroidissement est conçu pour être utilisé à une température ambiante comprise entre 16°C et 38°C.
- **T** : Climat tropical : Ce dispositif de refroidissement est conçu pour être utilisé à une température ambiante comprise entre 16°C et 43°C.

6 Fonctionnement de l'appareil



Lisez d'abord la section « Instructions de sécurité » !

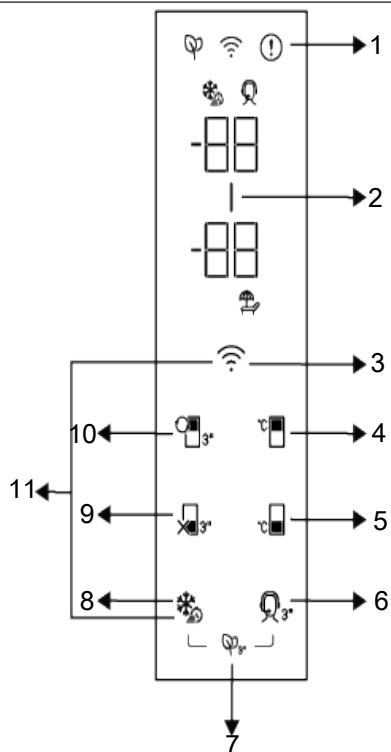
- Il ne faut pas utiliser d'outils mécaniques ou autres que les recommandations du fabricant pour accélérer l'opération de décongélation.
- Évitez d'utiliser des parties de votre réfrigérateur, telles que la porte ou les tiroirs, comme support ou comme marchepied. Cela peut faire trébucher le produit ou endommager ses composants.
- Le produit ne doit être utilisé que pour la conservation des aliments.
- Fermez le robinet d'eau si vous vous absentez de chez vous (par exemple, en vacances) et que vous n'utilisez pas le dis-

tributeur d'eau ou le distributeur de glace pendant une longue période. Dans le cas contraire, des fuites d'eau peuvent se produire.

Interruption du programme

- Si vous n'avez pas l'intention d'utiliser le produit pendant une longue période, débranchez-le de la prise de courant.
- Enlevez la nourriture pour éviter les odeurs.
- Attendez que la glace fonde, nettoyez l'intérieur et laissez-le sécher, laissez les portes ouvertes pour éviter d'endommager les plastiques intérieurs de la carrosserie.

7 Panneau de contrôle du produit



- | | | | |
|----|--|----|--|
| 1 | Indicateur de condition d'erreur | 2 | Indicateur d'économie d'énergie (affichage éteint) |
| 3 | *Clé sans fil | 4 | Touche de réglage de la température du compartiment congélateur |
| 5 | Touche de réglage de la température du compartiment de refroidissement | 6 | *Clé du service de soutien |
| 7 | *Touche du module désodorisant | 8 | Touche Congélation rapide / Touche de réglage de la fonction d'éclairage de la poignée |
| 9 | Touche de fonction Arrêt du compartiment de réfrigération (vacances) | 10 | * Clé de conversion des compartiments |
| 11 | Clé pour la réinitialisation des paramètres de connexion sans fil | | |



Lisez d'abord la section « Instructions de sécurité ».

*En option : Les fonctions indiquées sont facultatives, il peut y avoir des différences de forme et d'emplacement au niveau des fonctions indiquées sur le panneau de votre appareil.

Les fonctions sonores et visuelles dudit panneau vous aident à utiliser votre réfrigérateur.

1. Indicateur de condition d'erreur

Cet indicateur doit être activé lorsque votre réfrigérateur ne peut pas assurer un refroidissement adéquat ou en cas d'erreur de capteur. « E » doit s'afficher sur l'indicateur de température du compartiment de congélation et des chiffres tels que 1, 2, 3...

doivent s'afficher sur l'indicateur de température du compartiment de réfrigération.

Ces chiffres fournissent des informations au service autorisé sur l'erreur qui s'est produite.

Un point d'exclamation peut être affiché pendant un moment lorsque vous chargez des aliments chauds dans le compartiment de congélation ou que vous gardez la porte ouverte pendant une longue période. Il ne s'agit pas d'un défaut, cet avertissement disparaît lorsque l'aliment est refroidi ou lorsqu'on appuie sur une touche quelconque.

2. Indicateur d'économie d'énergie (affichage éteint)

La fonction d'économie d'énergie est activée automatiquement et le symbole d'économie d'énergie s'affiche lorsque la porte du produit n'est pas ouverte ou fermée pendant un certain temps. Lorsque la fonction d'économie d'énergie est active, tous les symboles de l'écran, à l'exception du symbole d'économie d'énergie, sont éteints.

Lorsque la fonction d'économie d'énergie est active, si vous appuyez sur une touche ou ouvrez la porte, la fonction d'économie d'énergie sera désactivée et les symboles à l'écran reviendront à la normale. La fonction d'économie d'énergie est une fonction activée départ usine et ne peut être annulée.

3. *Clé sans fil

Lorsque vous appuyez sur la touche pendant une longue période (3 secondes), le symbole de connexion sans fil sur l'affichage/l'écran clignote lentement (à inter-

valles de 0,5 seconde). Le réseau domestique est initialisé sur le produit de cette façon.

Après avoir établi une connexion sans fil avec le produit, le symbole de connexion sans fil s'allume en continu.

Lorsque la connexion initiale est établie, vous pouvez activer/désactiver la connexion en appuyant brièvement sur cette touche. Le symbole de connexion sans fil clignotera rapidement (à intervalles de 0,2 seconde) jusqu'à ce que la connexion soit établie. Lorsque la connexion est active, le symbole du réseau sans fil s'allume en permanence.

En cas d'impossibilité d'établir la connexion pendant une longue période, vérifiez vos paramètres de connexion et reportez-vous à la section « Dépannage » fournie dans le manuel de l'utilisateur.

L'application HomeWhiz doit être utilisée pour la connexion sans fil. Les étapes d'installation sont décrites sur la demande lors de l'installation.

Vous pouvez accéder à la demande en lisant le code QR disponible sur l'étiquette HomeWhiz apposée sur le produit. L'application est proposée par l'App Store pour les appareils IOS, et par le Play Store pour les appareils Android.

Visitez l'adresse <https://www.homewhiz.com/> pour des informations détaillées.

4. La touche de réglage de la température du compartiment congélateur

Le réglage de la température est effectué pour le compartiment de congélation. En appuyant sur cette touche, la température du compartiment congélateur peut être réglée à -18,-19,-20,-21,-22,-23,-24 degrés Celsius.

5. Clé de réglage de la température du compartiment de refroidissement

Permet de régler la température du compartiment de réfrigération. Lorsque cette touche est activée, la température du compartiment réfrigérant est réglée sur les valeurs 8, 7, 6, 5, 4, 3, 2 et 1 Celsius.

6. * Clé du service de soutien

Appuyez sur cette touche pendant 3 secondes pour activer/désactiver le service d'assistance. Des informations détaillées sur le service d'assistance sont fournies dans la section « Fonctionnalité du service d'assistance ».

7. * Clé du module désodorisant

Appuyez sur cette touche pendant 3 secondes pour activer/désactiver la fonction désodorisante. Lorsque la fonction anti-odeur est activée, le voyant LED de la touche correspondante s'allume. Lorsque la fonction est activée, le module désodorisant fonctionne périodiquement.

8. Touche de congélation rapide

Dès que vous appuyez sur la touche de congélation rapide, le symbole de congélation rapide s'allume et la fonction de congélation rapide est activée. La température du compartiment de congélation est réglée à -27 Celsius. Appuyez à nouveau sur la touche pour annuler la fonction. La fonction de congélation rapide sera automatiquement annulée. Pour congeler une grande partie d'aliments frais, appuyez sur la touche de congélation rapide avant de mettre les aliments dans le compartiment congélateur.

*Touche de réglage de la fonction de la lumière de la poignée

La fonction d'éclairage de la poignée peut passer du mode ouvert au mode fermé en appuyant sur la touche de congélation rapide pendant 3 secondes. En mode fermé, le voyant de la poignée n'est activé que lorsque la porte de l'appareil est ouverte et il s'éteint un moment après la fermeture de la porte. En mode ouvert, la lumière de la poignée est activée lorsque la porte de l'appareil est ouverte, la lumière de la poignée reste faiblement allumée un moment après

la fermeture de la porte. La fonction d'éclairage de la poignée est réglée sur le mode fermé en usine.

9. Touche de fonction Arrêt du compartiment de réfrigération (vacances)

Appuyez sur la touche pendant 3 secondes pour activer la fonction vacances. Le mode Vacances est activé et le symbole Vacances s'allume. « - - » doit être affiché sur l'indicateur de température du compartiment de refroidissement et le compartiment de refroidissement n'effectue pas de refroidissement actif. Vous ne devez pas conserver vos aliments dans le compartiment réfrigérateur lorsque cette fonction est activée. Les autres compartiments continuent à se refroidir en fonction des températures précédemment réglées. Il suffit d'appuyer à nouveau sur la touche pendant 3 secondes pour annuler cette fonction.

10. Touche de conversion des compartiments

En appuyant sur la touche de conversion du compartiment pendant 3 secondes, le compartiment congélateur passe en mode réfrigération arrêt et congélation, respectivement. S'il est utilisé en tant que compartiment réfrigérateur, la température du compartiment sera réglée à 4 degrés Celsius. En mode arrêt, l'indicateur de température du compartiment affiche "- -".

11. Touche de réinitialisation des paramètres de connexion sans fil

Pour réinitialiser les paramètres de la connexion sans fil, appuyez simultanément sur les touches de gel rapide et de connexion sans fil pendant 3 secondes. Toutes les informations utilisateur enregistrées précédemment sont supprimées sur un produit dont les paramètres de connexion sans fil sont réinitialisés/rétablis aux valeurs par défaut de l'usine.



Lisez d'abord la section « Instructions de sécurité » !

8.1 Stockage des aliments dans le compartiment du congélateur et du réfrigérateur

Stockage des aliments dans le compartiment congélateur

- Vous pouvez activer la fonction de congélation rapide 4 à 6 heures avant la fonction de congélation et effectuer un refroidissement plus rapide.
- Amenez les repas chauds à la température ambiante avant de les placer dans le compartiment congélateur.
- Les aliments à congeler doivent être divisés en portions en fonction de la taille à consommer, et congelés dans des emballages séparés.
- Il est recommandé d'emballer les aliments avant de les placer dans le congélateur.
- Afin de prévenir l'expiration du temps de conservation, inscrivez la date et l'heure de congélation ainsi que le nom du produit sur l'emballage, en fonction des temps de conservation des différents aliments.
- Consommez rapidement les aliments que vous avez décongelés. Les aliments décongelés ne peuvent être recongelés que s'ils sont cuits. Il n'est pas sûr de consommer les aliments frais recongelés sans cuisson après leur décongélation.
- Lorsque vous congelez des aliments frais, ne les mettez pas en contact avec des aliments déjà congelés. Sinon, les aliments congelés seront décongelés.

Stocker les aliments, qui sont vendus congelés

- Suivez toujours les instructions du producteur en ce qui concerne le temps pendant lequel vous devez conserver vos aliments. Ne dépassez pas le temps indiqué dans ces instructions !
- Afin de préserver la qualité des aliments, veillez à ce que l'intervalle de temps entre la transaction d'achat et le stockage soit aussi court que possible.
- Achetez les aliments congelés qui sont conservés à -18 °C ou à des températures inférieures.
- Évitez d'acheter des aliments dont l'emballage est recouvert de glace, etc. Cela signifie que le produit pourrait être partiellement décongelé et recongelé. La température a un impact sur la qualité des aliments.
- Ne dépassez pas la durée de conservation recommandée par le producteur de l'aliment. Ne sortez du congélateur que les aliments dont vous avez besoin.
- Sauf en cas de circonstances extrêmes dans l'environnement, si votre produit (sur le tableau des valeurs de consigne recommandées) est réglé sur les valeurs de consigne spécifiées, les aliments conservent leur fraîcheur plus longtemps, aussi bien dans le compartiment des produits frais que dans celui du congélateur.
- Si le compartiment des aliments frais est réglé sur une température inférieure, les fruits et légumes frais peuvent être partiellement congelés.

Tableau des valeurs de réglage recommandées

Réglage du compartiment congélateur	Réglage du compartiment réfrigérateur	Remarques
-18 °C	4°C	Ce réglage est celui qui est recommandé par défaut. Ce réglage est recommandé si la température ambiante est inférieure à 30°C.
-20, -22 ou -24 °C	4°C	Ces réglages sont recommandés pour des températures ambiantes excédant 30 °C.
Congélation rapide	4°C	Est utilisée lorsque vous voulez congeler vos denrées pendant une courte période. Lorsque le processus se termine, les paramètres du produit reviennent à la position précédente.
Inférieure ou égale à -18 °C	2°C	Utilisez ces paramètres si à votre avis le compartiment réfrigérateur n'est pas assez froid en raison de la température ambiante ou de l'ouverture fréquente de la porte.

Congélation rapide

1. Activez la fonction de congélation rapide 24 heures avant de placer vos aliments frais dans le congélateur.
2. 24 heures après avoir activé la fonction, placez d'abord les aliments que vous souhaitez congeler sur la première étagère à forte capacité de congélation.
3. La fonction de congélation rapide se désactive automatiquement au bout de 24 heures.

Détails du congélateur

Selon les normes IEC 62552, à une température ambiante de 25°C, le congélateur doit pouvoir congeler 4,5 kg de denrées alimentaires à -18°C ou à des températures inférieures en 24 heures pour chaque 100 litres de volume du compartiment congélateur.

Les aliments peuvent être préservés pour des périodes prolongées uniquement à des températures inférieures ou égales à -18 °C.

Vous pouvez garder les aliments frais pendant des mois (dans le congélateur à des températures inférieures ou égales à -18 °C).

Les aliments à congeler ne doivent pas être en contact avec ceux déjà congelés pour éviter un dégivrage partiel.

Faites bouillir les légumes et filtrez l'eau pour prolonger la durée de conservation à l'état congelé. Placez les aliments dans des

emballages sous vide après les avoir filtrés et placez-les dans le congélateur. Les bananes, les tomates, les feuilles de laitue, le céleri, les œufs durs, les pommes de terre et les aliments similaires ne doivent pas être congelés. Si ces aliments sont congelés, seules les valeurs nutritionnelles et les qualités gustatives seront affectées. Une pourriture qui mettrait en danger la santé humaine n'est pas à l'ordre du jour.

Placer les aliments

Balconnets du compartiment congélateur : Divers produits surgelés comme la viande, le poisson, la glace, les légumes, etc.

Balconnets du compartiment réfrigérateur : Les aliments contenus dans des casseroles, des plats couverts, des gamelles et les œufs (dans des gamelles)

Balconnets de la porte du compartiment réfrigérateur : Petits aliments ou boissons emballés

Bac à légumes: Fruits et légumes

Compartiment des aliments frais : Épicerie fine (aliments pour petit déjeuner, produits carnés à consommer à court terme)

Stockage des aliments dans le compartiment réfrigérant

- La température des compartiments augmente considérablement si la porte du compartiment est ouverte et fermée fréquemment et si elle reste ouverte pen-

dant longtemps, ce qui peut réduire la durée de vie des aliments et les faire se gâter.

- Afin de ne pas provoquer de changements d'odeur et de goût, les aliments doivent être conservés dans des récipients fermés.
- Ne conservez pas de quantités excessives d'aliments dans votre réfrigérateur. Pour obtenir un refroidissement plus efficace et homogène, placez les aliments séparément de manière à ce que l'air froid puisse circuler.
- Assurez la circulation de l'air en laissant un espace entre l'aliment et la paroi interne. Si vous appuyez les aliments contre la paroi arrière, ils risquent de geler.
- Amenez les plats chauds cuisinés à la température ambiante avant de les placer dans le réfrigérateur. Ensuite, vous pouvez placer le repas tiède dans les étagères inférieures de votre réfrigérateur. Ne placez pas les repas tièdes à proximité des aliments qui peuvent facilement se gâter.
- Décongelez vos aliments congelés dans le compartiment des aliments frais. Ainsi, vous pouvez refroidir le compartiment des aliments frais en utilisant des aliments congelés et économiser de l'énergie.
- La conservation au réfrigérateur de fruits tropicaux non mûrs (mangue, variétés de melon, papaye, banane, ananas) peut accélérer le processus de maturation. Ce n'est pas recommandé car cela raccourcira la durée de conservation.
- Vous devez conserver les oignons, les aulx, les gingembres et les autres légumes-racines dans une pièce sombre et froide, et non au réfrigérateur.
- Si vous remarquez qu'un aliment a tourné dans le réfrigérateur, jetez-le et nettoyez les accessoires qui ont été en contact avec cet aliment.
- Pour refroidir rapidement les plats tels que les soupes et les ragoûts, qui sont cuits dans de grandes marmites, vous pouvez les mettre au réfrigérateur en les séparant dans leurs propres récipients peu profonds.
- Ne placez pas d'aliments non emballés à proximité des œufs.
- Conservez les fruits et légumes séparément et stockez chaque variété ensemble (par exemple : les pommes avec les pommes, les carottes avec les carottes).
- Sortez les légumes verts du sac en plastique et placez-les au réfrigérateur après les avoir enveloppés dans une serviette en papier ou un linge sec. Si vous lavez ce type d'aliments avant de les placer dans le réfrigérateur, n'oubliez pas de les sécher.
- Vous pouvez à la fois créer un environnement humide et assurer une circulation d'air en conservant les fruits et légumes, qui ont tendance à sécher, dans des sacs en plastique perforés ou non fermés.
- Sauf en cas de circonstances extrêmes dans l'environnement, si votre produit (sur le tableau des valeurs de consigne recommandées) est réglé sur les valeurs de consigne spécifiées, les aliments conservent leur fraîcheur plus longtemps, aussi bien dans le compartiment des produits frais que dans celui du congélateur.

Conservez les différents aliments dans des endroits différents en fonction de leurs caractéristiques.

Aliment	Emplacement
Œuf	Balconnet
Produits laitiers (beurre, fromage)	Si disponible, compartiment zéro degré (pour les aliments du petit-déjeuner)
Fruits, légumes et verdure	Compartiment fruits-légumes, bac à légumes ou Compartiment EverFresh+ (si disponible)

Aliment	Emplacement
Viande fraîche, volaille, poisson, saucisses, etc. Aliments cuits	Si disponible, compartiment zéro degré (pour les aliments du petit-déjeuner)
Aliments prêts à consommer, produits emballés, conserves, produits marinés	Étagères supérieures ou balconnet
Boissons, bouteilles, épices et snacks	Balconnet

8.2 Remplacement de la lampe d'éclairage

Appelez le service autorisé lorsque l'ampoule/LED utilisée pour l'éclairage de votre réfrigérateur doit être remplacée.

La ou les lampes utilisées dans cet appareil ne peuvent pas être utilisées pour l'éclairage de la maison. L'objectif de cette lampe est d'aider l'utilisateur à placer les aliments dans le réfrigérateur/congélateur de manière sûre et confortable.

8.3 Alerte de porte ouverte

Un signal sonore est émis si la porte de l'appareil reste ouverte pendant 1 minute. L'alerte sonore s'arrête lorsque vous fermez la porte de l'armoire ou appuyez sur n'importe quel bouton de l'écran (si disponible).

8.4 Inversion du côté d'ouverture de la porte

Le côté d'ouverture de la porte de votre réfrigérateur peut être inversé en fonction de l'endroit où vous le placez. En cas de besoin, vous devez absolument appeler le service agréé le plus proche.

9 Caractéristiques du produit

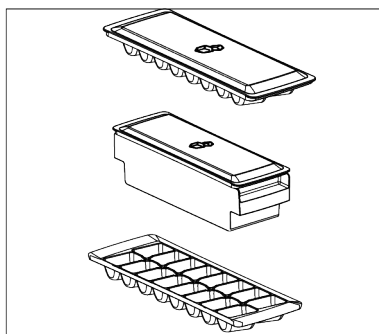
9.1 La zone de stockage de la glace

Récipient à glace

Le seau à glace vous permet de prendre facilement de la glace dans le réfrigérateur.

Utilisation du seau à glace

- Sortez le seau à glace du compartiment congélateur.
- Remplissez le seau à glace avec de l'eau.
- Placez le seau à glace dans le compartiment du congélateur. Les glaçons seront prêts après environ deux heures.
- Sortez le seau à glace du compartiment congélateur et penchez-vous légèrement sur le support que vous allez servir. La glace se verse facilement dans le récipient de service.



9.2 Porte-œuf

Vous pouvez placer le porte-œuf sur la porte ou l'étagère du corps que vous souhaitez.

Si le porte-œufs doit être placé sur l'étagère du corps, nous vous recommandons de choisir des étagères inférieures plus froides.



Ne placez jamais le porte-œuf sur le compartiment congélateur.

9.3 Bac à légumes

Le bac à légumes du réfrigérateur est conçu pour conserver les légumes frais en préservant leur humidité. À cette fin, la circulation générale d'air froid est intensifiée dans le bac à légumes. Conservez les fruits et les légumes dans ce compartiment. Conservez séparément les légumes verts et les fruits pour prolonger leur durée de vie.

9.4 Technologies Crisper

Voyant lumineux bleu

Les fruits et légumes stockés dans les bacs à légumes éclairés par une lumière bleue continuent leur photosynthèse grâce à l'effet de longueur d'onde de la lumière bleue et préservent ainsi leur teneur en vitamine.

VitaminZone

Les fruits et légumes conservés dans les bacs à légumes éclairés par la technologie VitaminZone conservent leurs vitamines plus longtemps grâce aux lumières bleues, vertes, rouges et aux cycles d'obscurité, qui simulent un cycle de jour.

Lorsque la porte de votre réfrigérateur est ouverte pendant la période d'obscurité de la technologie VitaminZone, votre réfrigérateur le détecte automatiquement et allume le bac à légumes avec l'une des lumières bleues, vertes ou rouges respectivement pour votre confort. Une fois que vous avez fermé la porte du réfrigérateur, la période d'obscurité se poursuit, représentant ainsi la nuit dans un cycle de jour.

10 Entretien et nettoyage



AVERTISSEMENT :

Lisez d'abord la section « Instructions de sécurité ».



AVERTISSEMENT :

Débranchez le réfrigérateur avant le nettoyage.

- N'utilisez pas des objets pointus ou des produits de nettoyage abrasifs pour nettoyer l'appareil. Il ne faut pas utiliser de

9.5 Zone d'entreposage frais des produits laitiers

Tiroir de stockage du froid

Le tiroir de stockage du froid peut atteindre des températures plus basses dans le compartiment réfrigérant. Utilisez ce tiroir pour les produits de charcuterie (salami, saucisse, etc.) et les produits laitiers qui nécessitent des conditions de stockage plus froides, ou pour la viande, le poulet ou le poisson à consommer rapidement. Il n'est pas possible de stocker des fruits et des légumes dans ce tiroir.

9.6 AeroFresh

C'est un système de distribution d'air qui assure une répartition homogène de la température. Grâce à la circulation de l'air, la distribution homogène de la température est assurée dans le compartiment de stockage des aliments frais, et les fluctuations de température sont maintenues à de faibles niveaux. Il n'y a pas de soufflage direct d'air sur les aliments, ce qui permet de réduire la perte d'humidité. Cela préserve la fraîcheur des aliments stockés dans le compartiment des aliments frais du réfrigérateur. De cette façon, vos aliments sont conservés à des températures plus stables et le contact avec l'air est réduit. Le séchage et le rétrécissement des aliments par perte d'humidité sont évités et la fraîcheur est assurée plus longtemps.

matériaux tels que des produits d'entretien ménager, du savon, des détergents, du gaz, de l'essence, un diluant, de l'alcool, de la cire, etc.

- La poussière doit être enlevée de la grille de ventilation située à l'arrière du produit au moins une fois par an (sans ouvrir le couvercle). Nettoyez l'appareil avec un chiffon humide.

- Veillez à ne pas mouiller le logement de la lampe ainsi que d'autres composants électriques.
- Nettoyez la porte avec un chiffon humide. Retirez tout le contenu pour enlever la porte et les supports de carrosserie. Retirez les supports de porte en les soulevant vers le haut. Nettoyez et séchez les étagères, puis refixez-les en les faisant glisser à partir du haut.
- N'utilisez pas d'eau contenant du chlore, ou des produits de nettoyage pour les surfaces externes et les pièces chromées de l'appareil. Le chlore entraîne la corrosion de ce type de surfaces métalliques.
- Il ne faut pas utiliser d'outils tranchants et abrasifs, de savon, de produits d'entretien ménager, de détergents, de gaz, d'essence, de vernis et de substances similaires pour empêcher la déformation de la pièce en plastique et l'élimination des empreintes sur la pièce. Utilisez de l'eau chaude et un chiffon doux pour le nettoyage, puis séchez-le.
- Sur les produits sans fonction « No-Frost », des gouttelettes d'eau et un givre pouvant atteindre l'épaisseur d'un doigt peuvent se former sur la paroi arrière du compartiment congélateur. Ne nettoyez pas et n'appliquez jamais d'huiles ou de produits similaires.
- Utilisez un chiffon en microfibrilles légèrement humidifié pour nettoyer la surface extérieure du produit. Les éponges et autres types de vêtements de nettoyage peuvent provoquer des éraflures.
- Afin de nettoyer tous les composants amovibles pendant le nettoyage de la surface intérieure du produit, il faut laver ces composants avec une solution douce composée de savon, d'eau et de carbonate. Lavez et séchez soigneusement.

Évitez le contact de l'eau avec les composants d'éclairage et le panneau de contrôle.



ATTENTION :

N'utilisez pas de vinaigre, d'alcool à friction ni de produits nettoyants à base d'alcool sur les surfaces intérieures.

Surfaces extérieures en acier inoxydable

Utilisez un produit de nettoyage non abrasif pour l'acier inoxydable et appliquez-le avec un chiffon doux non pelucheux. Pour polir, essuyez doucement la surface avec un chiffon en microfibrilles humidifié à l'eau et utilisez une peau de chamois sèche. Suivez toujours les veines de l'acier inoxydable.

Prévention des odeurs

À sa sortie d'usine, cet appareil ne contient aucun matériau odorant. Cependant, la conservation des aliments dans des sections inappropriées et le mauvais nettoyage de l'intérieur peuvent donner lieu aux mauvaises odeurs.

- Pour éviter cela, nettoyez l'intérieur à l'aide de carbonate dissout dans l'eau tous les 15 jours.
- Conservez les aliments dans des récipients scellés, car les micro-organismes provenant des aliments conservés dans des récipients non scellés provoquent une mauvaise odeur.
- Ne conservez pas d'aliments périmés ou avariés dans le réfrigérateur.

Protection des surfaces en plastique

Si de l'huile se répand sur les surfaces en plastique, il faut immédiatement les nettoyer avec de l'eau tiède, sinon elles seront endommagées.

11 Dépannage

Vérifiez la liste suivante avant de contacter le service après-vente. Cela devrait vous éviter de perdre du temps et de l'argent. Cette liste répertorie les plaintes fréquentes

ne provenant pas de vices de fabrication ou des défauts de pièces. Certaines fonctionnalités mentionnées dans ce manuel peuvent ne pas exister sur votre modèle.

Le réfrigérateur ne fonctionne pas.

- La fiche électrique n'est pas correctement insérée. >>> Branchez-la en l'enfonçant complètement dans la prise.
- Le fusible branché à la prise qui alimente l'appareil ou le fusible principal est grillé. >>> Vérifiez les fusibles.

Condensation sur la paroi latérale du congélateur (MULTI ZONE, COOL, CONTROL et FLEXI ZONE).

- La porte a été ouverte trop fréquemment >>> Évitez d'ouvrir trop fréquemment la porte de l'appareil.
- L'environnement est trop humide. >>> N'installez pas l'appareil dans des endroits humides.
- Les aliments contenant des liquides sont conservés dans des récipients non fermés. >>> Conservez ces aliments dans des emballages scellés.
- La porte de l'appareil est restée ouverte. >>> Ne laissez pas la porte de l'appareil ouverte longtemps.
- Le thermostat est réglé sur une température très froide. >>> Réglez le thermostat à la température appropriée.

Le compresseur ne fonctionne pas.

- En cas de coupure soudaine de courant ou de débranchement intempestif, la pression du gaz dans le système de réfrigération de l'appareil n'est pas équilibrée, ce qui déclenche la fonction de conservation thermique du compresseur. L'appareil se remet en marche au bout de 6 minutes environ. Dans le cas contraire, veuillez contacter le service de maintenance.
- Le dégivrage est actif. >>> Ce processus est normal pour un appareil à dégivrage complètement automatique. Le dégivrage se déclenche périodiquement.
- L'appareil n'est pas branché. >>> Vérifiez que le cordon d'alimentation est branché.
- Le réglage de la température est incorrect. >>> Sélectionnez le réglage de température approprié.
- Absence d'énergie électrique. >>> Le produit continuera à fonctionner normalement une fois le courant rétabli.

Le bruit du réfrigérateur en fonctionnement s'accroît pendant son utilisation.

- Le rendement de l'appareil en fonctionnement peut varier en fonction des fluctuations de la température ambiante. Ceci est normal et ne constitue pas un dysfonctionnement.

Le réfrigérateur fonctionne fréquemment ou pendant de longues périodes.

- Il se peut que le nouvel appareil soit plus grand que l'ancien. Les appareils plus grands fonctionnent plus longtemps.
- La température de la pièce est peut-être trop élevée. >>> Il est normal que l'appareil fonctionne plus longtemps quand la température de la pièce est élevée.
- L'appareil vient peut-être d'être branché ou chargé de nouvelles denrées alimentaires. >>> L'appareil met plus longtemps à atteindre la température réglée s'il vient d'être branché ou récemment rempli de denrées. C'est normal.
- Il est possible que des quantités importantes d'aliments chauds aient été récemment placés dans l'appareil. >>> Ne mettez pas d'aliments chauds à l'intérieur de l'appareil.
- Les portes étaient ouvertes fréquemment ou sont restées longtemps ouvertes. >>> L'air chaud qui se déplace à l'intérieur permet à l'appareil de fonctionner plus longtemps. N'ouvrez pas les portes trop fréquemment.
- Il est possible que la porte du congélateur soit entrouverte. >>> Vérifiez que les portes sont complètement fermées.
- L'appareil peut être réglé à une température trop basse. >>> Réglez la température à un degré supérieur et attendez que l'appareil atteigne la nouvelle température.
- Le joint de la porte du congélateur peut être sale, usé, cassé, ou mal positionné. >>> Nettoyez ou remplacez le joint d'étanchéité. Si le joint du congélateur est endommagé ou arraché, l'appareil prendra plus longtemps à conserver la température actuelle.

La température du congélateur est très basse, alors que celle du réfrigérateur est appropriée.

- La température du compartiment congélateur est très basse. >>> Réglez la température du compartiment congélateur à un degré supérieur et vérifiez à nouveau.

La température du réfrigérateur est très basse, alors que celle du congélateur est appropriée.

- La température du compartiment réfrigérateur est très basse. >>> Réglez la température du compartiment de refroidissement à un degré supérieur et vérifiez à nouveau.

Les aliments conservés dans le compartiment réfrigérateur sont congelés.

- La température du compartiment réfrigérateur est très basse. >>> Réglez la température du compartiment de refroidissement à un degré supérieur et vérifiez à nouveau.

La température du compartiment réfrigérateur ou congélateur est très élevée.

- La température du compartiment réfrigérateur est réglée à un degré très élevé. >>> Le réglage de la température du compartiment réfrigérateur a une incidence sur la température du compartiment congélateur. Attendez jusqu'à ce que la température des pièces correspondantes atteigne le niveau d'efficacité requis en changeant la température des compartiments réfrigérateur ou congélateur.
- Les portes étaient ouvertes fréquemment ou sont restées longtemps ouvertes. >>> N'ouvrez pas les portes trop fréquemment.
- La porte peut être entrouverte. >>> Fermez complètement la porte.
- L'appareil vient peut-être d'être branché ou chargé de nouvelles denrées alimentaires. >>> Cela est normal. L'appareil met plus longtemps à atteindre la température réglée s'il vient d'être branché ou récemment rempli de denrées.

- Il est possible que des quantités importantes d'aliments chauds aient été récemment placés dans l'appareil. >>> Ne mettez pas d'aliments chauds à l'intérieur de l'appareil.

En cas de vibrations ou de bruits.

- La surface n'est pas plate ou durable >>> Si l'appareil balance lorsqu'il est déplacé doucement, ajustez les supports afin de le remettre en équilibre. Assurez-vous également que le sol est assez solide pour supporter l'appareil.
- Les éléments placés sur l'appareil peuvent être à l'origine du bruit. >>> Retirez tous les éléments placés sur l'appareil.
- L'appareil émet un bruit d'écoulement de liquide ou de pulvérisation, etc.
- Les principes de fonctionnement de l'appareil impliquent des écoulements de liquides et des émissions de gaz. >>> Ceci est normal et ne constitue pas un dysfonctionnement.

L'appareil émet un sifflement.

- L'appareil effectue le refroidissement à l'aide d'un ventilateur. Ceci est normal et ne constitue pas un dysfonctionnement.

Il y a de la condensation sur les parois internes de l'appareil.

- Un climat chaud ou humide accélère le processus de givrage et de condensation. Ceci est normal et ne constitue pas un dysfonctionnement.
- Les portes étaient ouvertes fréquemment ou sont restées longtemps ouvertes. >>> N'ouvrez pas les portes trop fréquemment ; fermez-les lorsqu'elles sont ouvertes.
- La porte peut être entrouverte. >>> Fermez complètement la porte.

Il y a de la condensation sur les parois externes ou entre les portes de l'appareil.

- Il se peut que le climat ambiant soit humide, auquel cas cela est normal. >>> La condensation se dissipera lorsque l'humidité sera réduite.

Présence d'une odeur désagréable dans l'appareil.

- L'appareil n'est pas nettoyé régulièrement. >>> Nettoyez régulièrement l'intérieur à l'aide d'une éponge, de l'eau tiède et du carbonate dissout dans l'eau.
- Certains récipients et matériaux d'emballage sont peut-être à l'origine des mauvaises odeurs. >>> Utilisez des récipients et des emballages exempts de toute odeur.
- Les aliments étaient placés dans des récipients ouverts. >>> Conservez les aliments dans des récipients fermés. Des micro-organismes peuvent se proliférer dans des récipients non fermés et émettre de mauvaises odeurs.
- Retirez tous les aliments périmés ou avariés de l'appareil.

La porte ne se ferme pas.

- Les paquets d'aliments peuvent bloquer la porte. >>> Déplacez tout ce qui bloque les portes.
- L'appareil ne se tient pas parfaitement droit sur le sol. >>> Ajustez les supports afin de remettre l'appareil en équilibre.
- La surface n'est pas plane ou durable >>> Assurez-vous que la surface est plane et suffisamment durable pour supporter le produit.

Le bac à légumes est bloqué.

- Il est possible que les aliments soient en contact avec la section supérieure du bac. >>> Reclassez les aliments dans le bac.

Température à la surface de l'appareil.

- Une température élevée peut être observée entre deux portes, sur les panneaux latéraux et sur la zone du gril arrière lorsque votre produit est utilisé. C'est normal et cela ne nécessite pas d'entretien.

Le ventilateur continue de fonctionner lorsque la porte est ouverte.

- Le ventilateur peut continuer à fonctionner lorsque la porte du congélateur est ouverte.



AVERTISSEMENT : Si le problème persiste même après observation des instructions contenues dans cette partie, contactez votre fournisseur ou un service de maintenance agréé. N'essayez pas de réparer vous-même l'appareil. C'est normal.

CLAUSE DE NON-RESPONSABILITÉ / AVERTISSEMENT

Certaines défaillances (simples) peuvent être traitées de manière adéquate par l'utilisateur final sans qu'aucun problème de sécurité ou d'utilisation dangereuse ne survienne, à condition qu'elles soient effectuées dans les limites et conformément aux instructions suivantes (voir la section « Auto-réparation »).

Par conséquent, sauf autorisation contraire dans la section « Auto-réparation » ci-dessous, adressez-vous à des réparateurs professionnels agréés pour toutes réparations afin d'éviter des problèmes de sécurité. Un réparateur professionnel agréé est une personne à qui le fabricant a donné accès aux instructions et à la liste des pièces déta-

chées de ce produit selon les méthodes décrites dans les actes législatifs en application de la directive 2009/125/CE

Toutefois, seul l'agent de service (c'est-à-dire les réparateurs professionnels agréés) que vous pouvez joindre au numéro de téléphone indiqué dans le manuel d'utilisation/la carte de garantie ou par l'intermédiaire de votre fournisseur agréé peut fournir un service conformément aux conditions de garantie. Par conséquent, veuillez noter que les réparations effectuées par des réparateurs professionnels (qui ne sont pas autorisés par) Grundig Marka annulent la garantie.

Auto-réparation

L'auto-réparation peut être effectuée par l'utilisateur final en ce qui concerne les pièces de rechange suivantes : poignées de porte, charnières de porte, plateaux, paniers et joints de porte (une liste mise à jour est également disponible sur support.grundig.com à partir du 1er mars 2021).

En outre, pour garantir la sécurité du produit et éviter tout risque de blessure grave, ladite auto-réparation doit être effectuée en suivant les instructions du manuel d'utilisation pour l'auto-réparation ou celles disponibles sur support.grundig.com. Pour votre sécurité, débranchez le produit avant de procéder à toute auto-réparation.

Les réparations et tentatives de réparation par les utilisateurs finaux pour des pièces ne figurant pas dans cette liste et/ou ne suivant pas les instructions des manuels d'utilisation pour l'auto-réparation ou celles disponibles sur support.grundig.com, pourraient donner lieu à des problèmes de sécurité non imputables à Grundig, et annuleront la garantie du produit.

Il est donc fortement recommandé aux utilisateurs finaux de s'abstenir de tenter d'effectuer des réparations ne figurant pas sur la liste des pièces de rechange mentionnée, mais de contacter dans de tels cas des réparateurs professionnels autorisés ou des réparateurs professionnels agréés. Au contraire, de telles tentatives de la part des utilisateurs finaux peuvent causer des problèmes de sécurité et endommager le produit et, par la suite, provoquer un incendie, une inondation, une électrocution et des blessures corporelles graves.

À titre d'exemple, mais sans s'y limiter, vous devez vous adresser à des réparateurs professionnels autorisés ou à des réparateurs professionnels agréés pour les réparations suivantes : compresseur, circuit de refroidissement, carte mère, carte d'inverseur, panneau d'affichage, etc.

Le fabricant/vendeur ne peut être tenu responsable dans tous les cas où les utilisateurs finaux ne se conforment pas à ce qui précède.

La disponibilité des pièces de rechange du réfrigérateur que vous avez acheté est de 10 ans. Pendant cette période, les pièces de rechange d'origine seront disponibles pour faire fonctionner le réfrigérateur correctement.

La durée minimale de garantie du réfrigérateur que vous avez acheté est de 24 mois.

Cet appareil est équipé d'une source d'éclairage de classe énergétique « G ».

La source d'éclairage de cet appareil ne doit être remplacée que par des réparateurs professionnels.



Voir également

- 2 CLAUSE DE NON-RESPONSABILITÉ / AVERTISSEMENT [] 60]

Cortesemente leggi prima questo manuale!

Gentile Cliente,

Cortesemente leggi il presente manuale prima di iniziare ad usare il prodotto.

Ti ringraziamo per aver scelto questo prodotto Grundig. Vorremmo che il prodotto, che è stato realizzato con la tecnologia più avanzata, ti possa offrire l'efficienza ottimale. Per questo, prima di utilizzare il prodotto leggi attentamente questo manuale e qualsiasi altra documentazione fornita e conservali per riferimenti futuri.

Presta particolare attenzione alle informazioni e alle avvertenze contenute nel manuale utente. In questo modo proteggerai te stesso e il tuo prodotto da possibili pericoli.

Conserva il manuale utente. Se dovessi consegnare il prodotto a qualcun altro, non dimenticare di includere questo manuale.

Nel manuale utente sono utilizzati i seguenti simboli:



Pericolo che potrebbe causare morte o lesioni.



Informazioni importanti o suggerimenti utili sul funzionamento.







Leggi il manuale utente.



Materiale combustibile, pericolo di incendio.

AVVISO Un pericolo che potrebbe causare danni materiali al prodotto o all'ambiente circostante

	
SUPPLIER'S NAME	MODEL IDENTIFIER → (*)
	

Le informazioni sul modello memorizzate nella banca dati del prodotto possono essere ottenute entrando nel seguente sito web e cercando il proprio identificatore di modello (*) che si trova sull'etichetta energetica.

<https://eprel.ec.europa.eu/>

	9.4	Tecnologie del Crisper.....	85
	9.5	Area di conservazione a freddo dei prodotti lattiero-caseari.....	86
	9.6	AeroFresh.....	86
	10	Manutenzione e pulizia	86
	11	Guida alla risoluzione dei proble- mi	87
1		Istruzioni di sicurezza.....	66
1.1		Uso previsto	66
1.2		Sicurezza dei bambini, dei disabili e degli animali domestici	66
1.3		Sicurezza elettrica.....	67
1.4		Manipolazione in sicurezza	68
1.5		Installazione in sicurezza.....	68
1.6		Funzionamento in sicurezza.....	70
1.7		Sicurezza nella conservazione degli alimenti	72
1.8		Manutenzione e pulizia in sicu- rezza.....	73
1.9		Smaltimento del vecchio prodot- to.....	73
2		Istruzioni relative all'ambiente.....	74
2.1		Conformità con la direttiva WEEE e con la normativa sullo smalti- mento dei prodotti di scarico.	74
3		Il vostro frigorifero.....	75
4		Installazione	76
4.1		Luogo idoneo per l'installazione...	76
4.2		Collegamenti elettrici	76
4.3		Fissaggio dei cunei in plastica	76
4.4		Regolazione delle gambe.....	77
4.5		Avvertenza: superficie calda.....	77
5		Preparazione	77
5.1		Uso previsto	77
5.2		Classe climatica e definizioni.....	78
6		Funzionamento del prodotto	78
7		Pannello di controllo del prodot- to	79
8		Uso del prodotto	82
8.1		Conservare il cibo nel congelato- re e nello scomparto frigorifero....	82
8.2		Sostituzione della lampada	85
8.3		Avviso di porta aperta	85
8.4		Inversione del lato di apertura della porta	85
9		Caratteristiche del prodotto	85
9.1		L'area di conservazione del ghiac- cio.....	85
9.2		Porta uova.....	85
9.3		Cassetto frutta e verdura	85

1 Istruzioni di sicurezza

Questa sezione include le istruzioni sulla sicurezza necessarie per evitare il rischio di lesioni personali e danni materiali.

La nostra azienda non è da ritenersi responsabile per i danni causati dall'inosservanza delle presenti istruzioni.

Le operazioni di installazione e riparazione dovranno sempre essere eseguite da un servizio di assistenza autorizzato.

Servirsi unicamente di pezzi di ricambio e accessori originali.

I pezzi di ricambio originali saranno forniti per 10 anni dalla data di acquisto del prodotto.

Non riparare o sostituire alcun componente del prodotto a meno che ciò non venga chiaramente specificato nel manuale utente.

Non eseguire modifiche sul prodotto.

1.1 Uso previsto

Questo prodotto non è adatto all'uso commerciale e non dovrebbe essere usato per usi diversi da quelli previsti. Questo prodotto è progettato per essere usato in ambienti chiusi, in casa e in luoghi simili.

Ad esempio:

- Nelle cucine del personale di negozi, uffici e altri ambienti di lavoro,
- Nelle cascine,
- Nelle unità di alberghi, motel o altre strutture di riposo utilizzate dai clienti,
- In ostelli o ambienti simili,
- Nei servizi di catering e similari, purché in scenari non retail.

Questo prodotto non deve essere utilizzato in ambienti esterni aperti o chiusi, come navi, balconi o terrazze. L'esposizione del prodotto a pioggia, neve, luce solare e vento potrebbe causare rischi di incendio.

1.2 Sicurezza dei bambini, dei disabili e degli animali domestici

- Questo prodotto può essere utilizzato da bambini dagli 8 anni in su e da persone con capacità fisiche, sensoriali o mentali insufficienti o prive di esperienza e conoscenza purché supervisionati o abbiano ricevuto istruzioni sull'uso dell'apparecchio in modo sicuro e sui relativi pericoli connessi.

- I bambini tra i 3 e gli 8 anni sono autorizzati a mettere ed estrarre cibo da/nel prodotto raffreddato.
- I dispositivi elettrici sono pericolosi per i bambini e gli animali domestici. I bambini e gli animali domestici non devono giocare, salire o entrare nel prodotto.
- Gli interventi di pulizia e manutenzione non devono essere eseguiti dai bambini a meno che sotto la supervisione di una persona adulta.
- Tenere i materiali di imballaggio lontano dalla portata dei bambini. Pericolo di lesioni e soffocamento.

Prima di smaltire i vecchi prodotti che non devono più essere utilizzati:

1. Scollegare il cavo di alimentazione dalla presa di corrente.
2. Tagliare il cavo di alimentazione e rimuoverlo dall'apparecchio insieme alla spina.
3. Per evitare che i bambini entrino nell'apparecchio non rimuovere i ripiani e i cassetti dal prodotto.
4. Rimuovere le porte.
5. Conservare il prodotto in modo da non ribaltarlo.

6. Non permettere ai bambini di giocare con il prodotto anche se vecchio e non più utilizzato.
- Non smaltire il prodotto gettandolo nel fuoco. Pericolo di esplosione.
 - Se la porta del prodotto dispone di serratura, tenere la chiave fuori dalla portata dei bambini.



1.3 Sicurezza elettrica

- Durante le operazioni di installazione, manutenzione, pulizia, riparazione e trasporto, il prodotto non deve essere collegato alla presa di corrente.
- Se il cavo di alimentazione è danneggiato, deve essere sostituito da un servizio di assistenza autorizzato, per evitare qualsiasi rischio.
- Non infilare il cavo di alimentazione sotto il prodotto o sul retro del prodotto. Non appoggiare oggetti pesanti sul cavo di alimentazione. Il cavo di alimentazione non deve essere piegato, schiacciato e non deve venire a contatto con alcuna fonte di calore.
- Non utilizzare prolunghe, multiple o adattatori per azionare il prodotto.
- Le multi prese portatili o gli alimentatori portatili possono surriscaldarsi e causare incen-

di. Pertanto, non disporre una presa multipla dietro o nelle vicinanze del prodotto.

- La spina deve essere facilmente accessibile. Se ciò non è possibile, sull'impianto elettrico deve essere disponibile un meccanismo che soddisfi la regolamentazione in materia di elettricità e che scolleghi tutti i terminali dalla rete elettrica (fusibile, interruttore, interruttore principale, ecc.).
- Non toccare la spina con le mani bagnate.
- Quando si scollega l'apparecchio, non tenere il cavo di alimentazione, ma la spina.

1.4 Manipolazione in sicurezza

- Il prodotto è pesante, non maneggiarlo da soli.
- Non tenere il prodotto dalla porta durante la manipolazione dello stesso.
- Fare attenzione a non danneggiare il sistema di raffreddamento e le tubazioni durante la manipolazione del prodotto. Non azionare il prodotto se i tubi sono danneggiati e contattare il servizio di assistenza autorizzato.

1.5 Installazione in sicurezza

- Rivolgersi al Servizio Autorizzato per l'installazione del prodotto. Per preparare il prodotto all'installazione, consultare le informazioni contenute nel manuale utente e accertarsi che le utenze elettriche e idriche siano conformi a quanto necessario. In caso contrario, chiamare un elettricista e un idraulico per sistemare le utenze come necessario. Il non rispetto di tali istruzioni potrebbe aumentare il rischio di scosse elettriche, incendi, danni al prodotto o lesioni.
- Controllare che non vi siano danni al prodotto prima di installarlo. Non far installare il prodotto se è danneggiato.
- Posizionare il prodotto su una superficie piana, solida e bilanciata coi piedini regolabili. In caso contrario, il frigorifero potrebbe ribaltarsi e causare lesioni.
- Il prodotto deve essere installato in un ambiente asciutto e ventilato. Non tenere tappeti, moquette, o simili sotto il prodotto. In caso contrario, la ventilazione inadeguata potrebbe determinare un rischio di incendio!

- Non bloccare o coprire i fori di ventilazione. In caso contrario, il consumo energetico potrebbe aumentare e il prodotto potrebbe danneggiarsi.
- Il prodotto non deve essere collegato a sistemi di alimentazione come l'alimentazione solare. Altrimenti, il prodotto potrebbe danneggiarsi a causa di improvvisi cambiamenti di tensione!
- Più refrigerante contiene un frigorifero, più grande deve essere lo spazio necessario per la sua installazione. In locali molto piccoli, in caso di perdita di gas nel sistema di raffreddamento potrebbe verificarsi una miscela gas-aria infiammabile. Per ogni 8 grammi di refrigerante è necessario almeno 1 m³ di volume. La quantità di refrigerante disponibile nel prodotto è specificata nella targhetta di identificazione.
- Il luogo di installazione del prodotto non dovrà essere esposto alla luce diretta del sole e non dovrà essere nelle vicinanze di una fonte di calore come stufe, radiatori, ecc. Se non è possibile evitare l'installazione del prodotto in prossimità di una fonte di calore, si dovrà utilizzare una piastra isolante adeguata e la distanza minima dalla fonte di calore dovrà essere come specificato di seguito.
- Almeno 30 cm di distanza da fonti di calore come stufe, termosifoni, radiatori, riscaldatori, ecc,
- Almeno 5 cm di distanza dai forni elettrici.
- Il prodotto ha la classe di protezione I.
- Inserire il prodotto in una presa con messa a terra conforme ai valori di tensione, corrente e frequenza specificati nella targhetta d'identificazione. La presa deve avere un fusibile da 10A - 16A. La nostra azienda non si assumerà alcuna responsabilità per gli eventuali danni dovuti ad un uso senza previa messa a terra e collegamento elettrico non conforme alle normative locali e nazionali.
- Durante l'installazione, il cavo di alimentazione del prodotto deve essere scollegato. In caso contrario sussiste il pericolo di scosse elettriche e lesioni!
- Non collegare il prodotto a prese allentate, rotte, sporche o piene di grasso, che fuoriescono dalla mascherina o prese a contatto con l'acqua.

- Collocare il cavo di alimentazione e i tubi flessibili (se disponibili) del prodotto in modo che non comportino il rischio di inciampare.
- La penetrazione dell'umidità nelle parti sotto tensione o nel cavo di alimentazione potrebbe causare un cortocircuito. Pertanto, non utilizzare il prodotto in ambienti umidi o in zone in cui l'acqua possa schizzare (ad esempio garage, lavanderia, ecc.) Se il frigorifero viene bagnato dall'acqua, staccare la spina e contattare il servizio di assistenza autorizzato.
- Non collegare mai il frigorifero a dispositivi di risparmio energetico. Questi sistemi sono dannosi per il prodotto
- Non collocare una fonte di fiamma (ad es. candele, sigarette, ecc.) sul prodotto o nelle sue vicinanze.
- Non salire sul prodotto. Pericolo di caduta e lesioni!
- Non danneggiare i tubi dell'impianto di raffreddamento con attrezzi affilati e perforanti. Il refrigerante spruzzato fuori in caso di foratura dei tubi del gas, prolunghe o rivestimenti superficiali potrebbe causare irritazione della pelle e lesioni agli occhi.
- Non collocare e mettere in funzione apparecchi elettrici all'interno dei frigoriferi/congelatore, a meno che non sia stato consigliato dal produttore.
- Non incastrare mani o parti del corpo nelle parti in movimento e all'interno del prodotto. Fare attenzione a non incastrare le dita tra il frigorifero e la sua porta. Prestare attenzione durante l'apertura o la chiusura della porta in presenza di bambini.
- Non mettere in bocca gelati, cubetti di ghiaccio o cibi surgelati non appena tolti dal congelatore. Pericolo di congelamento!



1.6 Funzionamento in sicurezza

- Non utilizzare mai solventi chimici sul prodotto. Questi materiali comportano un rischio di esplosione.
- In caso di guasto del prodotto, scollegare la spina e non far funzionare fino a quando non viene riparato dal servizio di assistenza autorizzato. In caso contrario, vi è il rischio di scossa elettrica!

- Non toccare con le mani bagnate le pareti interne, le parti metalliche del congelatore o gli alimenti conservati al suo interno. Pericolo di congelamento!
- Non collocare nello scomparto congelatore lattine o bottiglie contenenti liquidi che possono congelarsi. Lattine o bottiglie possono esplodere. Pericolo di lesioni e danni materiali!
- Non utilizzare o collocare materiali sensibili alla temperatura come spray infiammabili, oggetti infiammabili, ghiaccio secco o altri agenti chimici nelle vicinanze del frigorifero. Pericolo di incendio ed esplosione!
- Non conservare materiali esplosivi come bombolette spray assieme a materiali infiammabili all'interno del prodotto.
- Non collocare lattine contenenti liquidi sopra il prodotto. Gli spruzzi d'acqua su una parte elettrica possono causare il rischio di scosse elettriche o incendi.
- Questo prodotto non è destinato allo stoccaggio e al raffreddamento di medicinali, plasma sanguigno, preparati o materiali di laboratorio e prodotti simili, soggetti a direttive sui prodotti medici.
- Se il prodotto viene utilizzato in modo non conforme alla sua destinazione, può causare danni o deterioramento dei prodotti conservati al suo interno.
- Se il frigorifero è dotato di luce blu, non guardare questa luce con dispositivi ottici. Non guardare direttamente la luce UV LED per lungo tempo. I raggi ultravioletti possono causare affaticamento visivo.
- Non riempire il prodotto con più alimenti di quanto consentito dalla sua capacità. Potrebbero verificarsi lesioni o danni se il contenuto del frigorifero cade quando lo sportello è aperto. Problemi simili potrebbero verificarsi anche quando un oggetto viene posto sopra il prodotto.
- Assicurarsi di aver rimosso il ghiaccio o l'acqua che potrebbe essere caduta a terra per evitare lesioni.
- Cambiare la posizione dei ripiani/porta bottiglie sulla porta del frigorifero mentre i ripiani sono vuoti. Pericolo di lesioni fisiche!
- Non appoggiare oggetti che potrebbero cadere/ribaltarsi sul prodotto. Questi oggetti po-

trebbero cadere durante l'apertura o la chiusura della porta e causare lesioni e/o danni materiali.

- Non urtare e non esercitare una pressione eccessiva sulle superfici di vetro. La rottura del vetro potrebbe causare lesioni e/o danni materiali.
- Il sistema di raffreddamento del prodotto contiene refrigerante R600a Il tipo di refrigerante usato nel prodotto è specificato nella targhetta identificativa. Questo gas è infiammabile. Pertanto, fare attenzione a non danneggiare il sistema di raffreddamento e le tubazioni durante il funzionamento del prodotto. In caso di danni alle tubazioni:
 1. Non toccare il prodotto o il cavo di alimentazione.
 2. Tenere il prodotto lontano da potenziali fonti di calore che potrebbero causare il surriscaldamento e l'incendio del prodotto.
 3. Assicurare la ventilazione dell'area in cui è collocato il prodotto. Non utilizzare un ventilatore.
 4. Contattare il servizio di assistenza autorizzato.

5. Se il prodotto è danneggiato e si osservano perdite di gas, stare lontani dal gas. Il gas potrebbe causare congelamento se entra in contatto con la pelle.



1.7 Sicurezza nella conservazione degli alimenti

Per evitare il deterioramento degli alimenti, si prega di prestare attenzione alle seguenti avvertenze:

- Lasciare gli sportelli aperti per molto tempo potrebbe fare aumentare la temperatura all'interno del prodotto.
- Pulire regolarmente i sistemi di drenaggio accessibili a contatto con gli alimenti.
- Pulire i serbatoi d'acqua che non sono stati usati per 48 ore e i sistemi d'acqua alimentati dalla rete che non sono stati usati per più di 5 giorni.
- Conservare i prodotti crudi di carne e pesce in scomparti appropriati all'interno del prodotto. In tal modo, non sgoccioleranno e non entreranno in contatto con altri alimenti.

- Gli scomparti del congelatore a due stelle sono utilizzati per conservare gli alimenti precotti, fare e conservare il ghiaccio e i gelati.
- Gli scomparti a una, due e tre stelle non sono appropriati per congelare alimenti freschi.
- Se il congelatore è stato lasciato vuoto per molto tempo, spegnerlo, sbrinare, pulire e asciugare il prodotto per proteggere il suo alloggiamento.
- Non utilizzare mai detergenti a vapore o materiali per la pulizia a vapore per pulire il prodotto e scongelare il ghiaccio al suo interno. Il vapore che entra in contatto con le parti sotto tensione del frigorifero provoca cortocircuiti o scosse elettriche.
- Tenere l'acqua lontana dai circuiti elettronici o dal sistema di illuminazione del prodotto.
- Utilizzare un panno pulito e asciutto per rimuovere la polvere o un qualsiasi materiale estraneo sulle spine. Non utilizzare un panno umido o bagnato per pulire la spina. In caso contrario, vi è il rischio di incendio o scossa elettrica.

1.8 Manutenzione e pulizia in sicurezza

- Non tirare la maniglia della porta se si deve spostare il prodotto per la pulizia. La maniglia potrebbe causare lesioni, se tirata troppo forte.
- Non pulire il prodotto spruzzando o versando acqua sul prodotto e al suo interno. Pericolo di scosse elettriche e incendi.
- Quando si pulisce il prodotto, non usare strumenti taglienti e abrasivi o detergenti domestici, detersivi, gas, benzina, diluente, alcol, vernice e sostanze simili. Utilizzare solo detergenti e agenti per la pulizia che non siano dannosi per gli alimenti contenuti nel prodotto.

1.9 Smaltimento del vecchio prodotto

Quando smaltisci il tuo vecchio prodotto segui le istruzioni riportate di seguito:

- Per evitare che i bambini si blocchino accidentalmente nel prodotto, nel caso in cui sia presente la serratura della porta, disattivarla.
- Gli schizzi di fluido refrigerante sono pericolosi per gli occhi. Non danneggiare alcuna parte

dell'impianto di raffreddamento durante lo smaltimento del prodotto.

- Potrebbe essere fatale se l'olio del compressore venisse ingerito o se penetrasse nel tratto respiratorio.

2 Istruzioni relative all'ambiente

2.1 Conformità con la direttiva WEEE e con la normativa sullo smaltimento dei prodotti di scarto.



Questo prodotto è conforme alla direttiva WEEE dell'UE (2012/19/EU). Questo prodotto porta un simbolo di classificazione per la strumentazione elettrica ed elettronica di scarto (WEEE).

Questo simbolo indica che questo prodotto alla fine della sua vita utile non deve essere smaltito con altri rifiuti domestici. Il dispositivo usato deve essere restituito al punto di raccolta ufficiale per il riciclaggio dei dispositivi elettrici ed elettronici. Per trovare questi sistemi di raccolta si prega di contattare le autorità locali o il rivenditore presso il quale è stato acquistato il prodotto. Ogni famiglia svolge un ruolo importante nel re-

- L'impianto di raffreddamento del prodotto include il gas R600 come specificato nell'etichetta informativa. Questo gas è infiammabile. Non smaltire il prodotto gettandolo nel fuoco. Rischio di esplosione!

cupero e nel riciclaggio di vecchie apparecchiature. Un adeguato smaltimento dell'apparecchiatura usata aiuta a prevenire potenziali conseguenze negative per l'ambiente e la salute umana.

Conformità con la direttiva RoHS

Il prodotto acquistato è conforme con la Direttiva UE RoHS (2011/65/EU). Non contiene materiali dannosi e proibiti e indicati nella Direttiva.

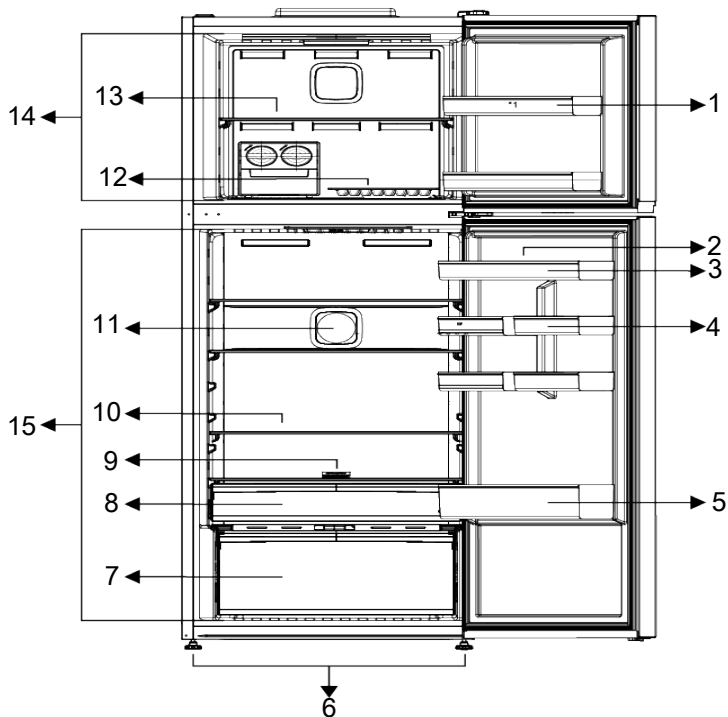


Informazioni sull'imballaggio

I materiali che compongono l'imballaggio del prodotto sono realizzati a partire da materiali riciclabili in conformità con le nostre Normative Ambientali Nazionali. Non smaltire i materiali dell'imballaggio congiuntamente ai rifiuti domestici o ad altri rifiuti. Portarli presso i punti di raccolta imballaggi indicati dalle autorità locali.

3 Il vostro frigorifero

IT



- 1 * Ripiani della porta dello scomparto congelatore
- 3 * Ripiani della porta dello scomparto raffreddatore
- 5 * Ripiano per bottiglie
- 7 Cassetto per frutta e verdura, separatore del cassetto e filtro etilene

- 2 Porta uova
- 4 * Ripiani piccoli della porta dello scomparto raffreddatore
- 6 Gambe regolabili
- 8 Cassetto per i prodotti lattiero-caseari (conservazione a freddo)
- 10 * Ripiani in vetro dello scomparto raffreddatore

11 Ventola

12 Macchina del ghiaccio/ scatola di stoccaggio del ghiaccio

13 Ripiano in vetro scomparto congelatore

14 Scomparto congelatore

15 Scomparto raffreddatore

***Opzionale:** Le figure in questo manuale utente sono schematiche, e potrebbero non corrispondere esattamente al prodotto.

Qualora il prodotto non contenga le parti descritte, l'informazione riguarda altri modelli.

4 Installazione



Leggere prima la sezione "Istruzioni di sicurezza"!

4.1 Luogo idoneo per l'installazione

Rivolgersi al Servizio Autorizzato per l'installazione del prodotto. Per preparare il prodotto all'installazione, consultare le informazioni contenute nel manuale utente e accertarsi che le utenze elettriche e idriche siano conformi a quanto necessario. In caso contrario, chiamare un elettricista e un idraulico per sistemare le utenze come necessario.



AVVERTENZA:

Il produttore non si assume alcuna responsabilità per gli eventuali danni causati dagli interventi eseguiti da personale non autorizzato.



AVVERTENZA:

Durante l'installazione, il cavo di alimentazione del prodotto deve essere scollegato. Il mancato rispetto di queste istruzioni potrebbe provocare morte o altre gravi lesioni!



AVVERTENZA:

Qualora la porta fosse troppo stretta per consentire il passaggio del prodotto, togliere la porta e ruotarla; qualora ciò non funzioni, contattare il servizio autorizzato.

- Per evitare vibrazioni, posizionare il prodotto su una superficie piana.
- Collocare il prodotto ad almeno a 30 cm dal termosifone, dalla stufa e da altre fonti di calore e ad almeno 5 cm da eventuali forni elettrici.
- Non esporre il prodotto alla luce solare diretta e non tenerlo in ambienti umidi.
- Il prodotto necessita di adeguata ventilazione per un funzionamento efficiente. Se in prodotto viene collocato in una al-

cova, lasciare almeno 5 cm di spazio tra il prodotto, il soffitto, i muri laterali e il muro retrostante.

- Controllare se il componente di protezione della parete posteriore è presente e nel suo alloggiamento (se fornito con il prodotto).
- Se il componente non è disponibile, o se è stato smarrito o è caduto, posizionare il prodotto in modo tale da lasciare almeno 5 cm di spazio libero tra il retro del prodotto e le pareti del locale. Lo spazio libero nella parte posteriore è importante per il funzionamento efficiente del prodotto.

4.2 Collegamenti elettrici



Non usare prolunghe o multi prese per il collegamento elettrico.



I cavi di alimentazione danneggiati vanno sostituiti dal servizio autorizzato.



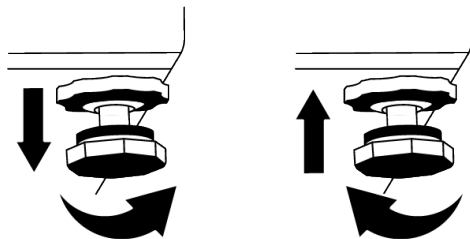
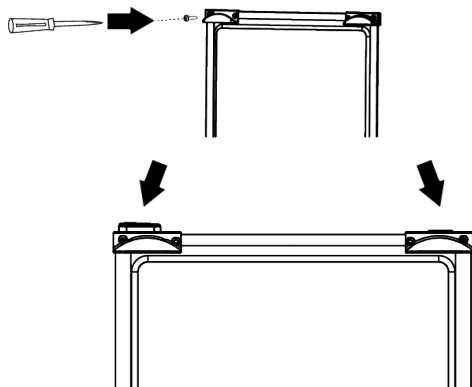
Quando vengono posizionati due frigoriferi l'uno a fianco dell'altro, lasciare una distanza di almeno 4 cm fra le due unità.

- La nostra azienda non si assume alcuna responsabilità per gli eventuali danni dovuti a un uso senza messa a terra e collegamento elettrico non conforme alle normative nazionali.
- Il cavo di corrente deve essere facilmente accessibile dopo l'installazione.
- Non utilizzare la spina multigruppo con o senza prolunga tra la presa a muro e il frigorifero.

4.3 Fissaggio dei cunei in plastica

Per garantire una circolazione d'aria sufficiente fra il prodotto e la parete, servirsi dei cunei in plastica forniti in dotazione con il prodotto.

1. Per fissare i cunei, rimuovere le viti sul prodotto e usare le viti fornite in dotazione con i cunei.
2. Fissare 2 cunei in plastica sul coperchio della ventilazione, come indicato nella figura.



IT

4.5 Avvertenza: superficie calda


Le pareti laterali del prodotto sono dotate di tubi di raffreddamento per migliorare il sistema generale di raffreddamento. L'elevata pressione del fluido potrebbe fluire attraverso queste superfici, causando il riscaldamento eccessivo delle superfici sulle pareti laterali. Ciò è normale e non richiede interventi di manutenzione. Fare attenzione quando si toccano queste aree.

4.4 Regolazione delle gambe

Qualora il prodotto non fosse in equilibrio, regolare le gambe anteriori regolabili, ruotandole verso destra o verso sinistra.

5 Preparazione

Cosa fare per risparmiare energia


 Leggere prima la sezione "Istruzioni di sicurezza".


- Questo apparecchio refrigerante non è destinato ad essere utilizzato come apparecchio da incasso.
- Non tenere aperte a lungo le porte del frigorifero.
- Non mettere alimenti caldi o bevande direttamente dentro al frigorifero.

5.1 Uso previsto

Prima di iniziare a usare il frigorifero, accertarsi che tutti i preparativi necessari vengano eseguiti in conformità con le istruzioni contenute nelle sezioni "Istruzioni di sicurezza e relative all'ambiente" e "Installazione".

- Tenere il prodotto in funzione senza alimenti al suo interno per 12 ore e non aprire la porta a meno che ciò non sia assolutamente necessario.

 Si sentirà un suono quando viene attivato il compressore. È normale che il prodotto faccia rumore anche se il compressore non è in funzione, poiché il fluido e il gas potrebbero essere compressi nel sistema di raffreddamento.

 È normale che le estremità anteriori del frigorifero siano calde. Queste aree sono state progettate per riscaldarsi per evitare la condensa.



Per alcuni modelli, il pannello indicatore si spegne automaticamente 1 minuto dopo la chiusura della porta. Si riattiva quando la porta è aperta o si preme un qualsiasi pulsante.

5.2 Classe climatica e definizioni

Si prega di fare riferimento alla classe climatica indicata sulla targhetta del dispositivo. Una delle seguenti informazioni è applicabile al proprio dispositivo secondo la classe climatica.

- **SN:** Clima temperato a lungo termine: Questo dispositivo di raffreddamento è progettato per l'uso a temperature ambiente tra 10 °C e 32 °C.
- **N:** Clima temperato: Questo dispositivo di raffreddamento è progettato per l'uso a temperature ambiente tra 16°C e 32 °C.
- **ST:** Clima subtropicale: Questo dispositivo di raffreddamento è progettato per l'uso a temperature ambiente tra 16°C e 38°C.
- **T:** Clima tropicale: Questo dispositivo di raffreddamento è progettato per l'uso a temperature ambiente tra 16°C e 43°C.

6 Funzionamento del prodotto



Leggere prima la sezione "Istruzioni di sicurezza"!

- Per accelerare le operazioni di scongelamento, non utilizzare attrezzi meccanici o altri utensili diversi da quelli raccomandati dal produttore.
- Non utilizzare mai parti del frigorifero, come la porta o i cassetti, come supporto o come gradini. Ciò potrebbe causare il ribaltamento del prodotto o il danneggiamento dei suoi componenti.
- Il prodotto dovrebbe essere usato unicamente per la conservazione di alimenti.
- Spegnerne la valvola dell'acqua se si è lontani da casa (ad esempio in vacanza) e si prevede di non utilizzare la macchinetta

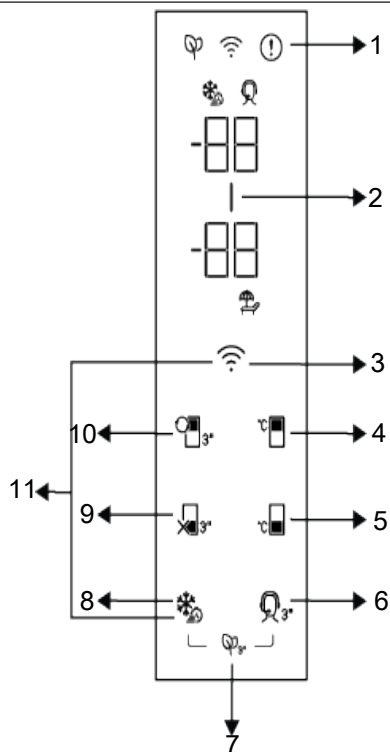
per il ghiaccio o l'erogatore d'acqua per un lungo periodo di tempo. In caso contrario, potrebbero verificarsi perdite d'acqua.

Messa in pausa del programma

- Se non si intende usare il prodotto per un lungo periodo, scollegarlo dalla presa.
- Rimuovere gli alimenti per evitare cattivi odori.
- Aspettare che il ghiaccio si sciogla, pulire l'interno e lasciarlo asciugare, lasciare le porte aperte per evitare di danneggiare le plastiche interne del corpo dell'apparecchio.

7 Pannello di controllo del prodotto

IT



- | | | | |
|----|---|----|---|
| 1 | Indicatore di stato d'errore | 2 | Indicatore della funzione di risparmio energetico (display off) |
| 3 | * Tasto wireless | 4 | * Tasto di impostazione della temperatura dello scomparto congelatore |
| 5 | * Tasto di impostazione della temperatura dello scomparto raffreddatore | 6 | Tasto del servizio di assistenza |
| 7 | *Tasto del modulo deodorante | 8 | Tasto di congelamento rapido/Tasto di impostazione della funzione luce della maniglia |
| 9 | Tasto funzione dello scomparto raffreddatore Off (funzione vacanza) | 10 | * Tasto di conversione dello scomparto |
| 11 | Tasto per il ripristino delle impostazioni della connessione wireless | | |



Leggere prima la sezione "Istruzioni di sicurezza".

*Opzionale: Le funzioni mostrate sono opzionali, ci potrebbero essere differenze di forma e posizione nelle funzioni che si trovano sul pannello indicatore dell'elettrodomestico.

Le funzioni audio e video sul pannello indicatore assisteranno l'utente nell'utilizzo del frigorifero.

1. Indicatore di condizione di errore

Questo indicatore sarà attivo quando il frigorifero non è in grado di eseguire un raffreddamento adeguato o in caso di errore del sensore. La lettera "E" sarà visualizzata sull'indicatore della temperatura dello scomparto congelatore e cifre come 1,2,3... saranno visualizzate sull'indicatore della temperatura dello scomparto raffreddatore. Queste cifre forniscono informazioni al servizio autorizzato sull'errore verificatosi.

Quando si caricano alimenti caldi nello scomparto freezer o si tiene aperto lo sportello per un lungo periodo di tempo potrebbe visualizzarsi per un po' un punto esclamativo. Non si tratta di un guasto, questa avvertenza sarà rimossa quando il cibo viene raffreddato o quando viene premuto un tasto qualsiasi.

2. Indicatore della funzione di risparmio energetico (display off)

Quando la porta del prodotto non viene aperta o chiusa per un certo periodo di tempo, la funzione di risparmio energetico viene attivata automaticamente e il simbolo del risparmio energetico si illumina. Quando la funzione di risparmio energetico è attiva, tutti i simboli sullo schermo, ad eccezione del simbolo del risparmio energetico, dovranno essere spenti. Quando la funzione di risparmio energetico è attiva, se si preme un tasto qualsiasi o si apre lo sportello, la funzione di risparmio energetico del frigorifero verrà disattivata e i simboli sullo schermo torneranno normali. La funzione di risparmio energetico è una funzione attiva per impostazione predefinita e non può essere annullata.

3. *Tasto wireless

Quando si preme il tasto per un lungo periodo (3 secondi), sul display/schermo il simbolo di connessione wireless lampeggia

lentamente (ad intervalli di 0,5 secondi). A questo punto sul prodotto viene visualizzata la rete domestica.

Dopo aver raggiunto la connessione wireless con il prodotto, il simbolo di connessione wireless si illumina continuamente (fisso).

Una volta stabilita la connessione iniziale, è possibile attivare/disattivare la connessione con una breve pressione di questo tasto. Il simbolo della connessione wireless lampeggerà rapidamente (a intervalli di 0,2 sec.) fino a quando non viene stabilita la connessione. Quando la connessione è attiva, il simbolo della connessione wireless si illuminerà in maniera continua (fisso).

Se la connessione non può essere stabilita per un lungo periodo di tempo, controllare le impostazioni per la connessione e consultare la sezione "Risoluzione dei problemi" del manuale utente.

Per la connessione wireless sarà utilizzata l'applicazione HomeWhiz. Le varie fasi di installazione sono descritte sull'applicazione durante l'installazione.

È possibile accedere all'applicazione leggendo il codice QR disponibile sull'etichetta HomeWhiz del prodotto. L'applicazione è offerta attraverso App Store per i dispositivi IOS e attraverso Play Store per i dispositivi Android.

Visitare l'indirizzo <https://www.homewhiz.com/> per informazioni dettagliate.

4. Tasto di impostazione della temperatura dello scomparto congelatore

L'impostazione della temperatura è disponibile per lo scomparto del congelatore. La pressione di questo tasto abiliterà l'impostazione della temperatura dello scomparto congelatore a -18,-19,-20,-21,-22,-23,-24 gradi Celsius.

5. Tasto di impostazione della temperatura dello scomparto raffreddatore

Per lo scomparto raffreddatore è disponibile l'impostazione della temperatura. Con la pressione di questo tasto, la temperatura

dello scomparto raffreddatore viene impostata su valori di 8,7,6,5,4,3,2 e 1 grado Celsius

6. *Tasto del servizio di assistenza

Premere questo tasto per 3 secondi per attivare/disattivare il servizio assistenza. Informazioni dettagliate sul servizio di assistenza sono fornite nella sezione "Funzionalità Servizio Assistenza".

7. *Tasto del modulo deodorante

Premere questo tasto per 3 secondi per attivare/disattivare la funzione deodorante. Quando la funzione deodorante è attiva, il LED sul rispettivo tasto è illuminato. Quando la funzione è attiva, il modulo deodorante sarà azionato periodicamente.

8. *Tasto di congelamento rapido

Quando si preme il tasto di congelamento rapido, il simbolo del congelamento rapido si illumina e si attiva la funzione di congelamento rapido. La temperatura dello scomparto congelatore è impostata a -27 gradi Celsius. Per annullare la funzione premere nuovamente sul tasto. La funzione di congelamento rapido sarà automaticamente annullata. Per congelare grandi quantitativi di alimenti freschi, premere il tasto di congelamento rapido prima di collocare gli alimenti all'interno dello scomparto congelatore.

Tasto di impostazione della funzione luce della maniglia

La funzione della luce della maniglia potrebbe essere commutata tra le modalità aperta e chiusa premendo il tasto di congelamento rapido per 3 secondi. In modalità chiusa, la luce della maniglia si attiva solo quando la porta dell'apparecchio viene aperta e si spegne un po' di tempo dopo la chiusura della porta. In modalità aperta, la luce della maniglia si attiva quando la porta dell'apparecchio viene aperta, la luce della

maniglia rimane debolmente accesa un po' di tempo dopo la chiusura della porta. La modalità chiusa è l'impostazione predefinita in fabbrica della funzione luce della maniglia.

9. Tasto funzione dello scomparto raffreddatore Off (Vacanza)

Per attivare la funzione vacanza premere il tasto per 3 secondi. La modalità vacanza si attiva e l'icona del simbolo vacanza si illumina. Sull'indicatore della temperatura dello scomparto raffreddatore sarà visualizzato "- -" e quindi non eseguirà il raffreddamento. Se viene attivata questa funzione, non si devono tenere gli alimenti nello scomparto raffreddatore. Gli altri scomparti continuano a raffreddare secondo le temperature impostate in precedenza. Per annullare questa funzione, premere di nuovo il tasto per 3 secondi.

10. Tasto di conversione dello scomparto

Premendo il tasto di conversione dello scomparto per 3 secondi, lo scomparto congelatore cambia modalità fra frigorifero, off e congelatore. Se funziona come scomparto frigorifero, la temperatura sarà impostata su 4 °C. In caso di modalità off (spento), l'indicatore della temperatura dello scomparto dovrà visualizzare "- -".

11. *Tasto per il ripristino delle impostazioni della connessione wireless

Per ripristinare le impostazioni della connessione wireless, premere contemporaneamente i tasti Congelamento rapido e connessione wireless per 3 secondi. Tutte le informazioni dell'utente registrate in precedenza vengono annullate e le impostazioni della connessione wireless vengono ripristinate/resettate ai valori predefiniti di fabbrica.

8 Uso del prodotto



Leggere prima la sezione "Istruzioni di sicurezza"!

8.1 Conservare il cibo nel congelatore e nello scomparto frigorifero

Conservare il cibo nello scomparto congelatore (freezer)

- È possibile attivare la funzione di congelamento rapido 4-6 ore prima della funzione di congelamento ed eseguire così un raffreddamento più rapido.
 - Prima di metterli nello scomparto congelatore, portare i pasti caldi a temperatura ambiente.
 - Gli alimenti da congelare vanno suddivisi in porzioni a seconda della dimensione da consumare e vanno congelati in pacchetti separati.
 - Consigliamo di confezionare gli alimenti prima di riporli all'interno del congelatore.
 - Al fine di evitarne la scadenza, annotare la data, l'ora di congelamento e il nome dell'alimento sulla confezione, in base ai periodi di conservazione dei diversi prodotti alimentari.
 - Consumare rapidamente gli alimenti che sono stati scongelati. Gli alimenti scongelati non possono essere ricongelati, a meno che siano cotti. Non è sicuro consumare i cibi freschi ricongelati senza cottura dopo che sono stati scongelati.
 - Quando vengono congelati alimenti freschi, evitare che gli stessi entrino in contatto con alimenti già congelati. Altrimenti, i cibi congelati si scongeleranno.
- #### Conservare gli alimenti che sono venduti congelati
- Seguire sempre le istruzioni del produttore in relazione al tempo di conservazione degli alimenti. Non superare il tempo specificato in queste istruzioni!
 - Per proteggere la qualità degli alimenti, mantenere l'intervallo di tempo tra l'acquisto e la conservazione il più breve possibile.
 - Acquistare gli alimenti congelati che sono conservati a -18°C o a temperature inferiori.
 - Evitare di acquistare alimenti le cui confezioni sono coperte di ghiaccio ecc. Questo significa che il prodotto potrebbe essere stato parzialmente scongelato e ricongelato. La temperatura influisce sulla qualità degli alimenti.
 - Non superare il tempo di conservazione raccomandato dal produttore dell'alimento. Togliere dal congelatore solo il cibo di cui si ha bisogno.
 - Tranne i casi in cui vi siano delle circostanze ambientali estreme, se il prodotto (sulla tabella dei valori nominali raccomandati) è impostato sui valori nominali specificati, gli alimenti manterranno la loro freschezza più a lungo sia nello scomparto prodotti freschi che nello scomparto congelatore.
 - Se lo scomparto degli alimenti freschi è impostato su una temperatura più bassa, la frutta e la verdura fresche potrebbero subire il parziale congelamento.

Tabella dei valori di impostazione consigliati

Impostazione dello scomparto congelatore	Impostazione dello scomparto frigorifero	Consigli
-18 ⁰	4°C	Questa è l'impostazione predefinita consigliata. Questa impostazione è raccomandata se la temperatura ambiente è inferiore a 30°C.
-20, -22 o -24 °C	4°C	Queste impostazioni sono consigliate quando la temperatura ambiente supera i 30°C.
Congelamento rapido	4°C	Usare quando si desidera congelare alimenti in modo rapido. Al termine del processo, le impostazioni del prodotto torneranno a quelle precedenti.
-18°C o inferiore	2°C	Usare queste impostazioni se si ritiene che lo scomparto del congelatore non sia sufficientemente freddo, a causa della temperatura ambiente, o a causa delle frequenti aperture della porta.

IT

Congelamento rapido

1. Attivare la funzione di congelamento rapido 24 ore prima di inserire gli alimenti freschi.
2. 24 ore dopo aver premuto il pulsante, mettere gli alimenti che si desidera congelare sul ripiano superiore, che ha una capacità di congelamento superiore
3. La funzione di congelamento rapido verrà automaticamente disattivata dopo 24 ore.

Dettagli per il congelatore

Conformemente agli standard IEC 62552, il congelatore deve avere la capacità di congelare 4,5 kg di alimenti a -18°C o a temperature inferiori a 25°C in 24 ore per ogni 100 litri di volume dello scomparto congelatore.

Gli alimenti possono essere conservati solo per lunghi periodi di tempo a temperature uguali o inferiori a -18°.

Sarà possibile conservare gli alimenti freschi per mesi (all'interno del congelatore a temperature uguali o inferiori a -18°).

Per evitare uno scongelamento parziale, gli alimenti da congelare non devono entrare in contatto con gli altri alimenti già congelati all'interno del congelatore.

Bollire le verdure e filtrare l'acqua per estendere il tempo di conservazione del congelato. Collocare gli alimenti in sacchetti ermetici, dopo aver eseguito il filtraggio e il posizionamento all'interno del congelatore. Banane, pomodori, lattuga, sedano, uova bollite, patate e altri alimenti simili non do-

vrebbero essere congelati. Nel caso in cui questi alimenti si congelino, solo i valori nutrizionali e le qualità alimentari ne risentiranno negativamente. Non si tratta di una minaccia per la salute umana.

Posizionamento degli alimenti

Ripiani dello scomparto congelatore: Vari alimenti congelati quali ad esempio carne, pesce, gelato, verdura, eccetera.

Ripiani dello scomparto raffreddatore: Alimenti all'interno di pentole, vassoi e contenitori, uova (all'interno di una confezione chiusa)

Ripiani della porta dello scomparto raffreddatore: Piccoli alimenti o bevande confezionati

Cassetto frutta e verdura: Verdura e frutta

Scomparto alimenti freschi: Prodotti gastronomici, (alimenti per la colazione, prodotti a base di carne da consumare in tempi brevi)

Conservare il cibo nello scomparto frigorifero

- Le temperature dello scomparto aumentano notevolmente se la porta dello scomparto viene aperta e chiusa frequentemente e tenuta aperta per molto tempo; questo può ridurre la durata degli alimenti e causare il loro precoce deterioramento.
- Per non causare cambiamenti di odore e sapore, gli alimenti dovrebbero essere conservati in contenitori chiusi.

- Non conservare troppi alimenti nel frigorifero. Per ottenere un raffreddamento migliore e omogeneo, disporre gli alimenti separatamente in modo che l'aria fredda possa attraversarli.
- Garantire il flusso d'aria lasciando uno spazio tra gli alimenti e la parete interna. Se gli alimenti vengono appoggiati sulla parete posteriore potrebbero congelarsi.
- Portare i pasti caldi cotti a temperatura ambiente prima di metterli in frigorifero. Quindi, mettere il pasto tiepido nei ripiani inferiori del frigorifero. Non mettere i pasti tiepidi vicino agli alimenti che potrebbero facilmente deperirsi.
- Scongelare gli alimenti congelati nello scomparto degli alimenti freschi. In questo modo, è possibile raffreddare lo scomparto degli alimenti freschi utilizzando gli alimenti congelati così da risparmiare energia.
- Conservare la frutta tropicale acerba (mango, varietà di melone, papaya, banana, ananas) nel frigorifero potrebbe accelerare il processo di maturazione. Questo quindi non è raccomandato perché farà ridurre i tempi di conservazione.
- Cipolle, aglio, zenzero e altri ortaggi a radice dovrebbero essere conservati in condizioni di buio e freddo, non in frigorifero.
- Se si nota che un alimento si è deperito nel frigorifero, buttare via quell'alimento e pulire gli accessori che sono entrati in contatto con esso.
- Per raffreddare rapidamente zuppe e stufati, che sono cucinati in grandi pentole, è possibile metterli in frigorifero distribuendoli in contenitori poco profondi
- Non mettere gli alimenti non confezionati vicino alle uova.
- Conservare la frutta e la verdura separatamente e raggruppandola secondo la varietà (per esempio: mele con mele, carote con carote)
- Togliere le verdure verdi dal sacchetto di plastica e metterle in frigorifero dopo averle avvolte in un tovagliolo di carta o in un panno asciutto. Se prima di metterli in frigorifero questi alimenti sono stati lavati, ricordarsi di asciugarli.
- Per creare un ambiente umido e fornire un flusso d'aria a frutta e verdura, che sono inclini a seccarsi, conservarle nei sacchetti di plastica perforati o non sigillati.
- Tranne i casi in cui vi siano delle circostanze ambientali estreme, se il prodotto (sulla tabella dei valori nominali raccomandati) è impostato sui valori nominali specificati, gli alimenti manterranno la loro freschezza più a lungo sia nello scomparto prodotti freschi che nello scomparto congelatore.

Conservare alimenti diversi in luoghi diversi a seconda delle loro caratteristiche.

Alimenti	Ubicazione
Uova	Ripiano porta
Prodotti caseari (burro, formaggio)	Se disponibile, scomparto a zero gradi (per il cibo della colazione)
Frutta, vegetali e verdura a foglia verde	Scomparto per frutta e verdura, crisper o Scomparto EverFresh+ (se disponibile)
Carne fresca, pollame, pesce, salsicce, ecc. Cibi cotti	Se disponibile, scomparto a zero gradi (per il cibo della colazione)
Cibi pronti da servire, prodotti confezionati, cibi in scatola e sottaceti	Ripiani superiori o ripiano della porta
Bevande, bottiglie, spezie e snack	Ripiano porta

8.2 Sostituzione della lampada

Quando la lampadina/LED usata per l'illuminazione del frigorifero deve essere sostituita, chiamare il servizio assistenza autorizzato.

La lampada o le lampade utilizzate in questa apparecchiatura non possono essere utilizzate per l'illuminazione della casa. L'uso previsto di questa lampada è quello di aiutare l'utente a mettere il cibo nel frigorifero/congelatore in modo sicuro e confortevole.

8.3 Avviso di porta aperta

Se la porta del prodotto rimane aperta per 1 minuto verrà emesso un allarme udibile. L'allarme sonoro si fermerà quando la porta dell'elettrodomestico viene chiusa oppure quando viene premuto qualsiasi pulsante sul display (se disponibile).

8.4 Inversione del lato di apertura della porta

Il lato di apertura della porta del frigorifero può essere invertito secondo il posto in cui lo si sistema. Nel caso sia necessario invertire il lato di apertura della porta, chiamare il servizio assistenza autorizzato più vicino.

9 Caratteristiche del prodotto

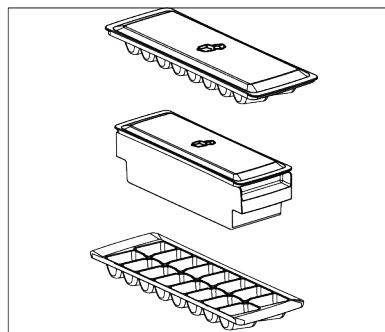
9.1 L'area di conservazione del ghiaccio

Contentore del ghiaccio

La vaschetta del ghiaccio permette di prendere il ghiaccio facilmente dal frigorifero.

Utilizzo della vaschetta del ghiaccio

1. Estrarre il secchiello del ghiaccio dallo scomparto congelatore.
2. Riempire con acqua la vaschetta del ghiaccio.
3. Posizionare la vaschetta del ghiaccio nello scomparto congelatore. Il ghiaccio sarà pronto all'incirca dopo due ore.
4. Prendere la vaschetta del ghiaccio dallo scomparto congelatore e piegare leggermente sopra il contenitore che si utilizzerà. Il ghiaccio si verserà facilmente.



9.2 Porta uova

È possibile posizionare il portauovo sullo sportello o sul ripiano del corpo/struttura che si desidera.

Se il portauovo deve essere posizionato sul ripiano del corpo, si consiglia di scegliere ripiani inferiori più freddi.



Non collocare mai il portauova sullo scomparto congelatore

9.3 Cassetto frutta e verdura

Il cassetto frutta e verdura del frigorifero è stato pensato per tenere fresche le verdure preservando al tempo stesso il loro grado di umidità. A tal fine, all'interno del cassetto, la circolazione complessiva dell'aria fredda è più intensa. Consigliamo di tenere frutta e verdura all'interno di questo scomparto. Tenere le verdure con foglie verdi e i frutti in luoghi separati, al fine di prolungarne la durata.

9.4 Tecnologie del Crisper

Luce blu

Frutta e verdura conservate nei cassette illuminate con luce blu continuano la loro fotosintesi grazie all'effetto della lunghezza d'onda della luce blu e conservano così il loro contenuto di vitamine.

VitaminZone

Frutta e verdura conservate in cassetti illuminati con la tecnologia VitaminZone conservano le loro vitamine più a lungo grazie alle luci blu, verdi, rosse e ai cicli di buio che simulano un ciclo diurno.

Quando la porta del frigorifero viene aperta durante il periodo di buio della tecnologia VitaminZone, il frigorifero lo percepirà automaticamente e illuminerà il cassetto (crisper) con una delle luci blu, verdi o rosse a seconda della situazione. Dopo aver chiuso lo sportello del frigorifero, il periodo di buio continuerà, come fosse il periodo notturno in un ciclo diurno.

9.5 Area di conservazione a freddo dei prodotti lattiero-caseari

Cassetto per la conservazione a freddo

Nello scomparto frigorifero, il cassetto per la conservazione a freddo può raggiungere temperature più basse. Utilizzare questo cassetto per prodotti di rostitteria (salumi, salsicce, ecc.) e latticini che richiedono

condizioni di conservazione più fredde, o per carne, pollo o pesce da consumare rapidamente. Non conservare frutta e verdura in questo cassetto.

9.6 AeroFresh

È un sistema di distribuzione dell'aria che fornisce una distribuzione omogenea della temperatura. La circolazione dell'aria assicura la distribuzione omogenea della temperatura nello scomparto di conservazione degli alimenti freschi, e le fluttuazioni di temperatura sono mantenute a livelli bassi. Non si verifica nessun soffio d'aria diretto sugli alimenti e questo aiuta a ridurre la perdita di umidità. Permette di mantenere la freschezza degli alimenti conservati nello scomparto degli alimenti freschi del frigorifero. In questo modo, gli alimenti sono conservati a temperature più stabili e il contatto con l'aria è ridotto. L'essiccazione e il restringimento degli alimenti a causa della perdita di umidità sono evitati per una maggiore e duratura freschezza.

10 Manutenzione e pulizia



ATTENZIONE:

Leggere prima la sezione "Istruzioni di sicurezza".



ATTENZIONE:

Scollegare il frigorifero prima di pulirlo.

- Non utilizzare utensili affilati o abrasivi per pulire il prodotto. Non usare materiali come detersivi domestici, sapone, detersivi, gas, benzina, diluenti, alcool, cera, ecc.
- La polvere deve essere rimossa dalla griglia di ventilazione sul retro del prodotto almeno una volta all'anno (senza aprire il coperchio). Pulire il prodotto servendosi di un panno asciutto.
- Fare attenzione a tenere l'acqua lontana dalla copertura delle lampade e dalle altre componenti elettriche.

- Pulire la porta servendosi di un panno umido. Per rimuovere la porta e i vari ripiani, rimuovere prima tutto il contenuto. Rimuovere i ripiani della porta sollevandoli verso l'alto. Pulire e asciugare i ripiani, poi fissare nuovamente in posizione facendo scorrere da sopra.
- Non usare acqua con cloro o prodotti detersivi sulla superficie esterna e sulle componenti rivestite in cromo. Il cloro provoca ruggine su queste superfici metalliche.
- Per evitare la deformazione della parte in plastica e rimuovere le impronte, non utilizzare utensili affilati e abrasivi, sapone, materiali per la pulizia della casa, detersivi, gas, benzina, vernice e sostanze simili. Per pulire, usare acqua tiepida e un panno morbido, quindi asciugare.

- Sui prodotti senza la funzione No-Frost, sulla parete posteriore dello scomparto congelatore potrebbero formarsi goccioline d'acqua e ghiaccio fino allo spessore di un dito. Non pulirla; non applicare mai olio o sostanze simili.
- Per pulire la superficie esterna del prodotto utilizzare un panno in micro-fibra leggermente inumidito. Spugne e altri tipi di panni per la pulizia potrebbero graffiare la superficie.
- Per pulire tutti i componenti rimovibili durante la pulizia della superficie interna del prodotto, lavare questi componenti con una soluzione delicata composta da sapone, acqua e carbonato. Risciacquare e asciugare completamente. Evitare il contatto dell'acqua con i componenti dell'illuminazione e con il pannello di controllo.



ATTENZIONE:

Non utilizzare aceto, alcool o altri detergenti a base di alcool su nessuna delle superfici interne.

Superfici esterne in acciaio inossidabile

Utilizzare un detergente non abrasivo per acciaio inossidabile e applicarlo con un panno morbido privo di pelucchi. Per luci-

dare, strofinare delicatamente la superficie con un panno in micro-fibra inumidito con acqua e utilizzare una pelle di camoscio per lucidare a secco. Seguire sempre le venature in acciaio inossidabile.

Prevenzione dei cattivi odori

Il prodotto è stato realizzato con materiali che non emettono cattivi odori. Il posizionamento degli alimenti in sezioni non adeguate e la pulizia delle superfici interne effettuata in modo non corretto potrebbe provocare cattivi odori.

- A tal fine consigliamo di pulire l'interno con acqua gassata ogni 15 giorni.
- Conservare gli alimenti in contenitori sigillati, poiché i microrganismi derivanti da alimenti tenuti in contenitori non sigillati causano cattivi odori.
- Non conservare alimenti scaduti e marci all'interno del frigorifero.

Protezione delle superfici in plastica

L'olio rovesciato sulle superfici in plastica potrebbe danneggiare la superficie, e deve essere pulito immediatamente servendosi di acqua tiepida.

11 Guida alla risoluzione dei problemi

Controllare questo elenco prima di contattare il servizio clienti. Questa operazione vi consentirà di risparmiare soldi. Questo elenco contiene le lamentele più frequenti che non riguardano problemi a livello di manodopera o materiali. Alcune funzioni qui indicate potrebbero non essere valide per il prodotto in questione.

Il frigorifero non funziona.

- La presa di corrente non è stata inserita correttamente. >>> Spingerla fino a inserirla completamente nella presa.
- Il fusibile collegato alla presa che alimenta il prodotto, oppure il fusibile principale, è bruciato. >>> Controllare il fusibile.

Condensa sulla parete laterale dello scomparto raffreddatore (MULTI ZONE, COOL, CONTROL e FLEXI ZONE).

- La porta viene aperta troppo spesso. >>> Fare attenzione a non aprire troppo frequentemente la porta del prodotto.
- L'ambiente è troppo umido. >>> Non installare il prodotto in ambienti umidi.
- Gli alimenti contenenti liquidi sono conservati in contenitori non sigillati. >>> Tenere gli alimenti contenenti liquidi in contenitori sigillati.
- La porta del prodotto viene lasciata aperta. >>> Non tenere aperte a lungo le porte del frigorifero.
- Il termostato è impostato su una temperatura molto fredda. >>> Impostare il termostato su una temperatura adeguata.

Il compressore non funziona.

- In caso di improvviso black out, o nel caso in cui la spina venga tolta e poi reinserita, la pressione del gas nel sistema di raffreddamento del prodotto non è equilibrata, il che fa scattare la protezione termica del compressore. Il prodotto si riavvierà dopo circa 6 minuti. Qualora il prodotto non si riavvii dopo questo periodo, contattare l'assistenza.
- La modalità di scongelamento è attiva. >>> Si tratta di una condizione normale per un frigorifero con funzione di sbrinamento completamente automatica. Lo sbrinamento avviene a intervalli periodici.
- Il prodotto non è collegato. >>> Verificare che il cavo di alimentazione sia collegato.
- L'impostazione della temperatura è sbagliata. >>> Selezionare l'impostazione di temperatura adeguata.
- Non c'è corrente. >>> Il prodotto continuerà a funzionare normalmente quando verrà ripristinata la corrente elettrica.

Il rumore di funzionamento del frigorifero aumenta col passare del tempo.

- Le prestazioni del prodotto potrebbero variare a seconda delle variazioni della temperatura ambiente. Ciò è normale e non è un'anomalia di funzionamento.

Il frigorifero funziona troppo spesso o troppo a lungo.

- Il nuovo prodotto potrebbe essere più grande di quello precedente. I prodotti più grandi funzioneranno più a lungo.
- La temperatura della stanza potrebbe essere alta. >>> Il prodotto funzionerà normalmente per lunghi periodi di tempo con temperature ambiente superiori.
- Il prodotto potrebbe essere stato di recente collegato alla corrente, oppure al suo interno potrebbero essere stati recentemente aggiunti vari alimenti. >>> Al prodotto servirà più tempo per raggiungere la temperatura impostata, se collegato

di recente, oppure nel caso in cui siano stati collocati nuovi alimenti al suo interno. Ciò è normale.

- Forse di recente sono state introdotte nel frigorifero grandi quantità di alimenti caldi. >>> Non mettere alimenti caldi direttamente dentro al frigorifero.
- Le porte sono state aperte frequentemente o tenute aperte a lungo. >>> L'aria calda che si muove all'interno provocherà un funzionamento più prolungato. Non aprire le porte con troppa frequenza.
- Le porte del congelatore o del raffreddatore potrebbero essere socchiuse. >>> Controllare che le porte siano totalmente chiuse.
- Il prodotto potrebbe essere impostato su una temperatura troppo bassa. >>> Impostare la temperatura su un livello più alto e attendere che il prodotto raggiunga la temperatura desiderata.
- La rondella della porta del raffreddatore o del congelatore potrebbe essere sporca, usurata, rotta o non correttamente configurata. >>> Pulire o sostituire la guarnizione. Le rondelle consumate e usurate faranno funzionare il prodotto più a lungo per conservare la temperatura attuale.

La temperatura del congelatore è molto bassa, ma la temperatura del raffreddatore è corretta.

- La temperatura dello scomparto congelatore è impostata su un livello molto basso. >>> Impostare la temperatura dello scomparto congelatore su un livello più alto, quindi eseguire un controllo.

La temperatura del raffreddatore è molto bassa, ma la temperatura del congelatore è corretta.

- Impostare la temperatura dello scomparto raffreddatore su un livello più alto, quindi eseguire un controllo. >>> Impostare la temperatura dello scomparto raffreddatore su un livello più alto, quindi eseguire un nuovo controllo.

Gli alimenti conservati nei cassetti dello scomparto raffreddatore sono congelati.

- Impostare la temperatura dello scomparto raffreddatore su un livello più alto, quindi eseguire un controllo. >>> Impostare la temperatura dello scomparto raffreddatore su un livello più alto, quindi eseguire un nuovo controllo.

La temperatura nello scomparto raffreddatore e congelatore è troppo alta.

- La temperatura dello scomparto raffreddatore è impostata su un livello molto alto. >>> L'impostazione della temperatura dello scomparto raffreddatore ha un effetto sulla temperatura dello scomparto congelatore. Attendere che la temperatura delle parti interessate raggiunga il livello sufficiente modificando la temperatura degli scomparti del raffreddatore o del congelatore.
- Le porte sono state aperte frequentemente o tenute aperte a lungo. >>> Non aprire le porte con troppa frequenza.
- La porta potrebbe essere socchiusa. >>> Chiudere completamente la porta.
- Il prodotto potrebbe essere stato di recente collegato alla corrente, oppure al suo interno potrebbero essere stati recentemente aggiunti vari alimenti. >>> Non si tratta di un'anomalia. >>> Al prodotto servirà più tempo per raggiungere la temperatura impostata, se collegato di recente, oppure nel caso in cui siano stati collocati nuovi alimenti al suo interno.
- Forse di recente sono state introdotte nel frigorifero grandi quantità di alimenti caldi. >>> Non mettere alimenti caldi direttamente dentro al frigorifero.

Vibrazioni o rumore.

- >>> Se il prodotto vibra quando viene spostato lentamente, regolare i supporti per equilibrarlo. Verificare inoltre che la superficie di appoggio sia sufficientemente resistente per supportarne il peso.
- Gli eventuali oggetti collocati sul prodotto potrebbero causare rumori. >>> Togliere gli eventuali elementi collocati sul prodotto.

- Il prodotto emette rumori, come ad esempio liquido che scorre, spruzzo, eccetera
- I principi operativi del prodotto prevedono flussi di liquido e di gas. >>> Ciò è normale e non è un'anomalia di funzionamento.

C'è un rumore, simile a un soffio, che proviene dal prodotto.

- Il prodotto si serve di una ventola per il processo di raffreddamento. Ciò è normale e non è un'anomalia di funzionamento.

Si è formata condensa sulle pareti interne del prodotto.

- Le temperature calde o umide aumenteranno la formazione di ghiaccio e la condensa. Ciò è normale e non è un'anomalia di funzionamento.
- Le porte sono state aperte frequentemente o tenute aperte a lungo. >>> Non aprire le porte con troppa frequenza; se la porta è aperta, chiuderla.
- La porta potrebbe essere socchiusa. >>> Chiudere completamente la porta.

Si è formata condensa sulla superficie esterna del prodotto o fra le porte.

- Le condizioni ambientali potrebbero essere umide, e ciò è normale. >>> La condensa si dissiperà alla riduzione dell'umidità.

L'interno emette cattivi odori.

- Il prodotto non è stato pulito regolarmente. >>> Pulire la superficie interna a intervalli regolari servendosi di spugna, acqua tiepida, e acqua gassata.
- Alcuni supporti e materiali da confezionamento potrebbero causare cattivi odori. >>> Servirsi di supporti confezionamento che non emettano cattivi odori.
- Gli alimenti sono stati collocati in supporti non sigillati. >>> Tenere gli alimenti in contenitori sigillati. I microrganismi potrebbero fuoriuscire dagli alimenti non sigillati causando così cattivi odori.
- Rimuovere gli eventuali alimenti scaduti o rovinati dal prodotto.

La porta non si chiude correttamente.

- Le confezioni degli alimenti potrebbero bloccare la porta. >>> Trovare una nuova posizione per gli alimenti che bloccano le porte.
- Il prodotto non è in posizione verticale, appoggiato per terra. >>> Regolare i supporti per l'equilibrio del prodotto.
- La superficie non è piatta o resistente >>> Assicurarsi che la superficie sia piatta e sufficientemente resistente per sostenere il prodotto.

Il cassetto frutta e verdura è inceppato.

- Gli alimenti potrebbero entrare in contatto con la sezione superiore del cassetto. >>> Ri-organizzare gli alimenti nel cassetto.

Temperatura sulla superficie del prodotto.

- Mentre il prodotto è in funzione, potrebbero generarsi temperature elevate tra le due porte, sui pannelli laterali e sulla griglia posteriore. Ciò è normale e non richiede interventi di manutenzione.

DISCLAIMER/AVVERTIMENTO

Alcuni guasti (semplici) possono essere gestiti adeguatamente dall'utente finale senza che si verifichino problemi di sicurezza o di utilizzo non sicuro, a condizione che vengano eseguiti entro i limiti e in conformità alle seguenti istruzioni (vedere la sezione "Autoriparazione").

Pertanto, se non diversamente autorizzato nella sezione "Autoriparazione", per evitare problemi di sicurezza, le riparazioni devono essere effettuate da riparatori professionisti registrati. Un riparatore professionale registrato è un riparatore professionale a cui il produttore ha concesso l'accesso alle istruzioni e all'elenco delle parti di ricambio di questo prodotto secondo i metodi descritti negli atti legislativi ai sensi della direttiva 2009/125/CE.

Solo gli agenti di assistenza (cioè i riparatori professionali autorizzati) raggiungibili tramite il numero di telefono indi-

La ventola continua a funzionare quando la porta è aperta.

- La ventola potrebbe continuare a funzionare quando la porta del congelatore è aperta.



ATTENZIONE: Qualora il problema persista dopo aver seguito le istruzioni contenute in questa selezione, contattare il proprio fornitore oppure un Servizio Autorizzato. Evitare in ogni caso di riparare il prodotto. Ciò è normale.

Informazioni sulla classificazione dell'imballaggi

Scansiona il Qrcode che si trova sull'imballo del prodotto per trovare tutte le informazioni relative all'imballo e come gestirne il suo corretto smaltimento.

cato nel manuale d'uso/scheda di garanzia o tramite il rivenditore autorizzato possono, tuttavia, fornire assistenza in base ai termini della garanzia. Pertanto, si ricorda che le riparazioni effettuate da riparatori professionisti (non autorizzati da) Grundig annulleranno la garanzia.

Autoriparazione

L'utente finale può effettuare l'autoriparazione dei seguenti pezzi di ricambio: maniglie, cerniere, vassoi, cestini e guarnizioni dello sportello (un elenco aggiornato è disponibile anche su support.grundig.com a partire dal 1° marzo 2021).

Inoltre, per garantire la sicurezza del prodotto e prevenire il rischio di gravi lesioni, l'autoriparazione menzionata deve essere eseguita seguendo le istruzioni contenute nel manuale d'uso per l'autoriparazione o disponibili su support.grundig.com. Per la

sicurezza dell'utente, prima di tentare qualsiasi riparazione, staccare la spina del prodotto.

I tentativi di riparazione da parte degli utenti finali per parti non incluse in tale elenco e/o non seguendo le istruzioni contenute nei manuali d'uso per l'autoriparazione o disponibili su support.grundig.com, potrebbero causare problemi di sicurezza non imputabili a Grundig e invalideranno la garanzia del prodotto.

Pertanto, si raccomanda vivamente agli utenti finali di astenersi dal tentare di effettuare riparazioni che non rientrano nell'elenco dei pezzi di ricambio indicati, rivolgendosi in questi casi a riparatori professionali autorizzati o registrati. Al contrario, tali tentativi da parte degli utenti finali potrebbero causare problemi di sicurezza e danneggiare il prodotto, con conseguenti incendi, allagamenti, folgorazioni e gravi lesioni personali.

A titolo esemplificativo, ma non esaustivo, le seguenti riparazioni devono essere affidate a riparatori professionali autorizzati o registrati: compressore, circuito di raffreddamento, scheda principale, scheda inverter, scheda display, ecc.

Il produttore/venditore non può essere ritenuto responsabile in ogni caso di mancata osservanza di quanto sopra da parte degli utenti finali.

La disponibilità dei pezzi di ricambio del frigorifero acquistato è di 10 anni. Durante questo periodo, i pezzi di ricambio originali saranno disponibili per il corretto funzionamento del frigorifero.

La durata minima della garanzia del frigorifero acquistato è di 24 mesi.

Questo prodotto è dotato di una sorgente luminosa di classe energetica "G".

La sorgente luminosa di questo prodotto deve essere sostituita solo da un riparatore professionista

Vedi anche

2 CLAUSE DE NON-RESPONSABILITÉ /
AVERTISSEMENT [} 60]



